



US00D387913S

United States Patent [19]
Yurk

[11] **Patent Number: Des. 387,913**
[45] **Date of Patent: **Dec. 23, 1997**

[54] **PICNIC TABLE**

[75] **Inventor: Arno Roland Yurk, Kalamazoo, Mich.**

[73] **Assignee: Landscape Forms, Inc., Kalamazoo, Mich.**

[**] **Term: 14 Years**

[21] **Appl. No.: 61,359**

[22] **Filed: Oct. 22, 1996**

[51] **LOC (6) Cl. 06-01**

[52] **U.S. Cl. D6/337**

[58] **Field of Search D6/334, 335, 336,
D6/337, 338, 500, 501, 502; 297/135, 140,
157.1**

[56] **References Cited**

U.S. PATENT DOCUMENTS

D. 166,725 5/1952 Watson D6/337

OTHER PUBLICATIONS

1996 Sweets Catalog, Model UF-6080 Series 6 'Metal Table
Marketed by Game Time, Inc. of Fort Payne, Alabama.
1996 Sweets Catalog Picnic Tables Types 761 & 762 Mar-
keted by Environmental Features, Inc. of Northville, Michi-
gan.

1996 Sweets Catalog Model TF3125 Circular Patio Table
Marketed by Wausau Tile of Wausau, Wisconsin.
Foodservice Equipment Dealer, p. 31, seating unit at top left,
Sep. 1969.

Primary Examiner—Gary D. Watson
Attorney, Agent, or Firm—Heslin & Rothenberg, P.C.

[57] **CLAIM**

The ornamental design for a picnic table, as shown and
described.

DESCRIPTION

FIG. 1 is a front isometric view of a picnic table showing my
new design;

FIG. 2 is a side elevational view thereof, the opposite side
being identical thereof;

FIG. 3 is a front elevational view thereof, the back eleva-
tional view being identical thereto;

FIG. 4 is a top plan view thereof; and,

FIG. 5 is a bottom plan view thereof.

The broken lines showing a table top and bench seat tops are
for environmental purposes only and form no part of the
claimed design.

1 Claim, 4 Drawing Sheets

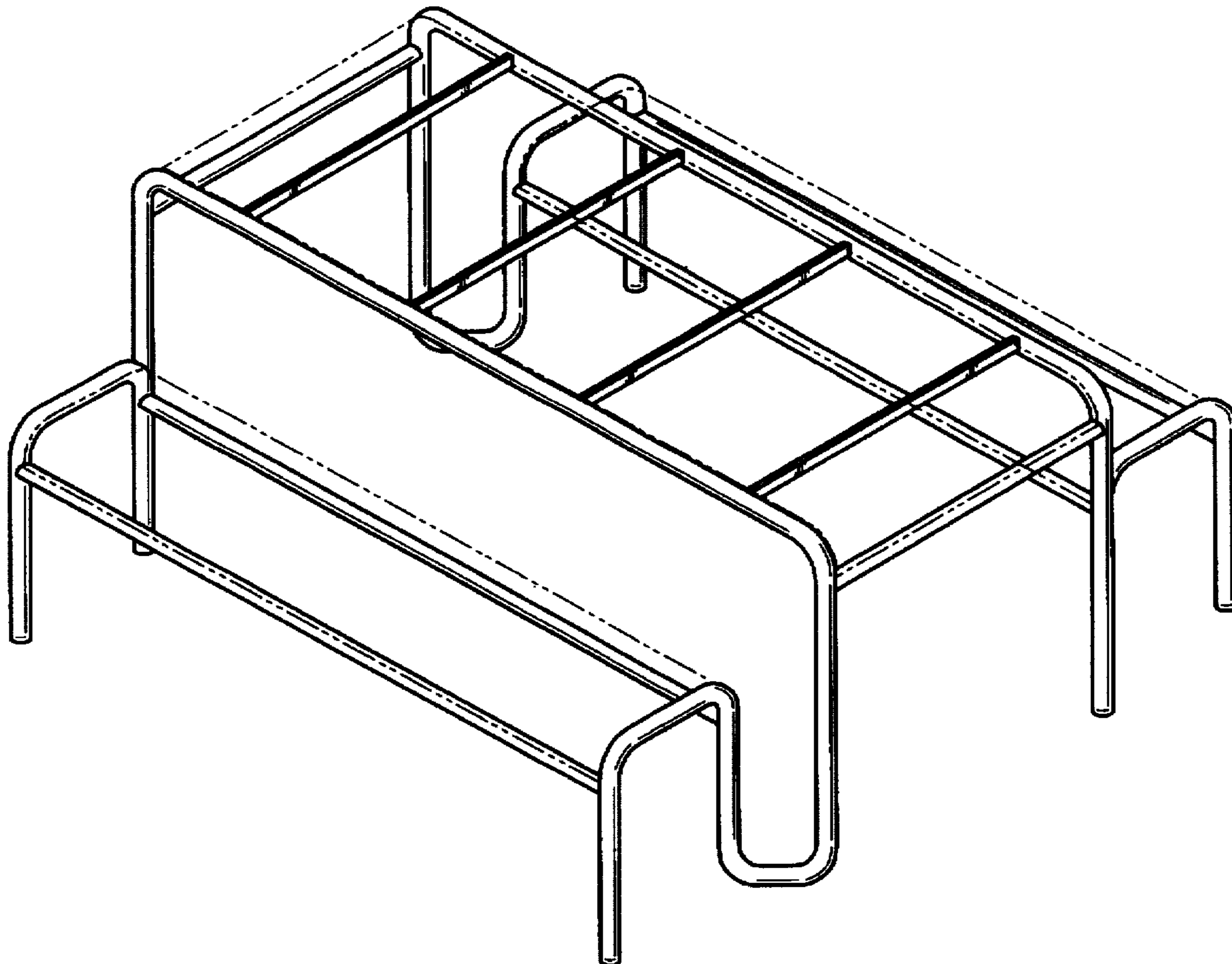


FIG. 1

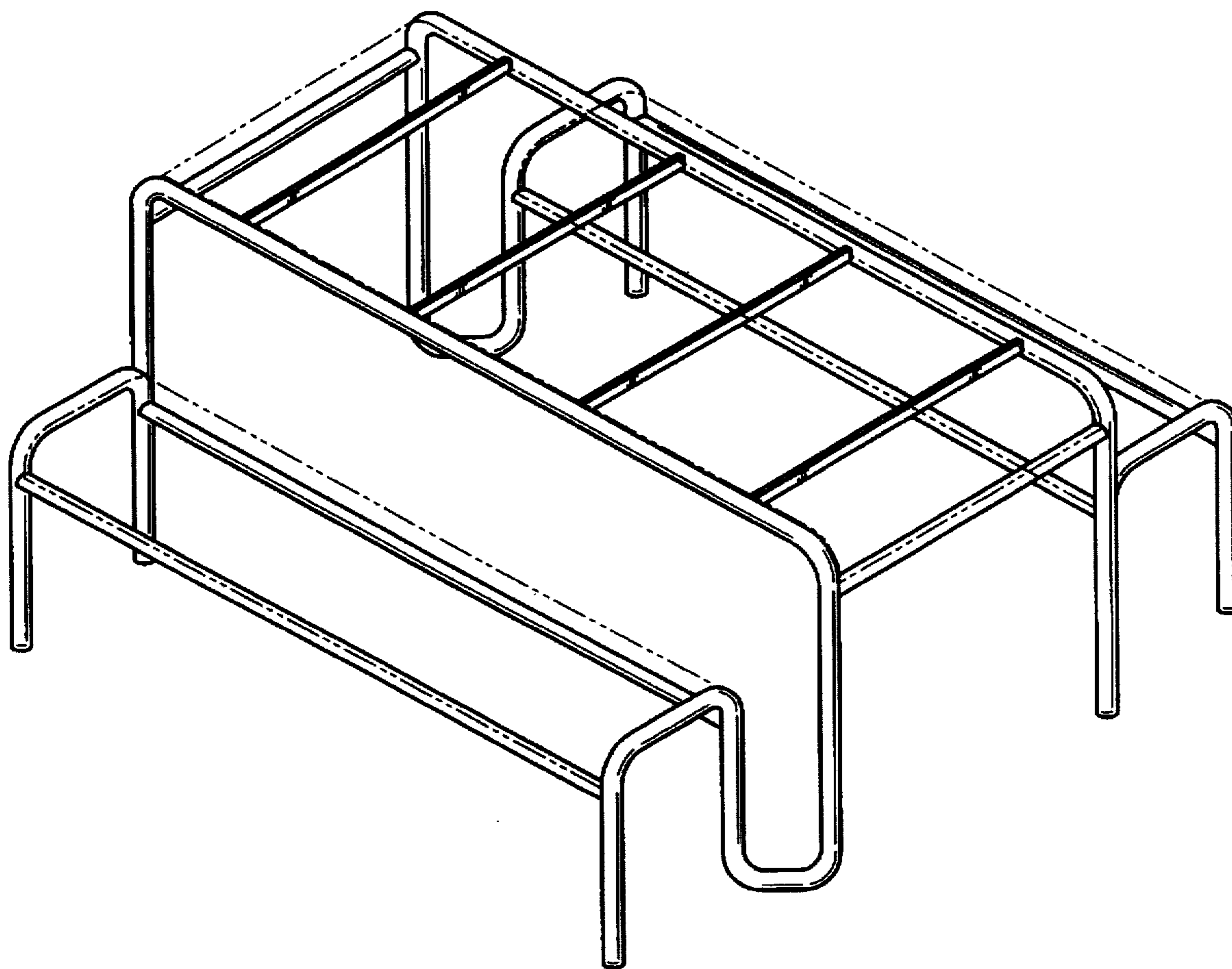


FIG. 2

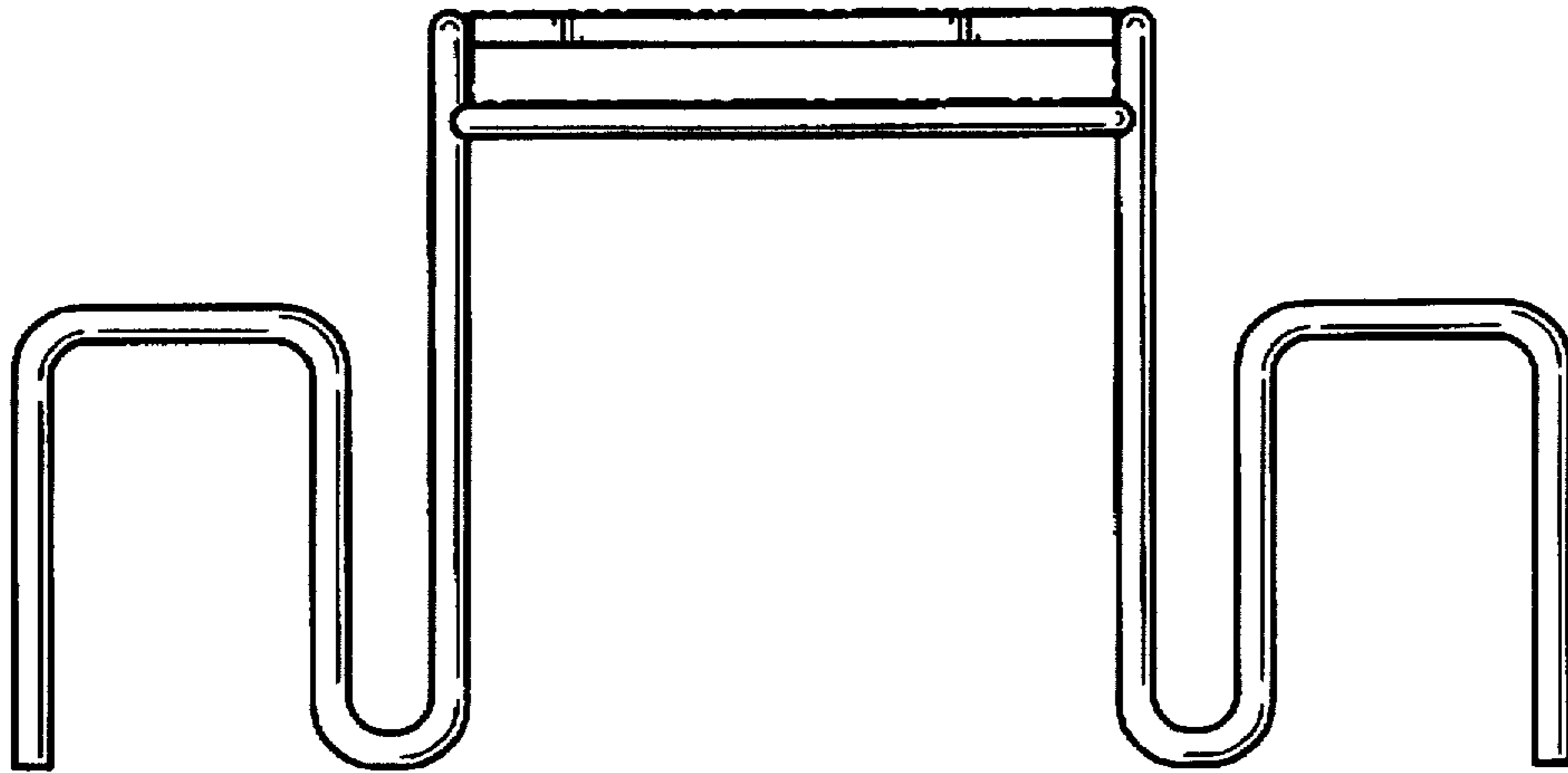


FIG. 3

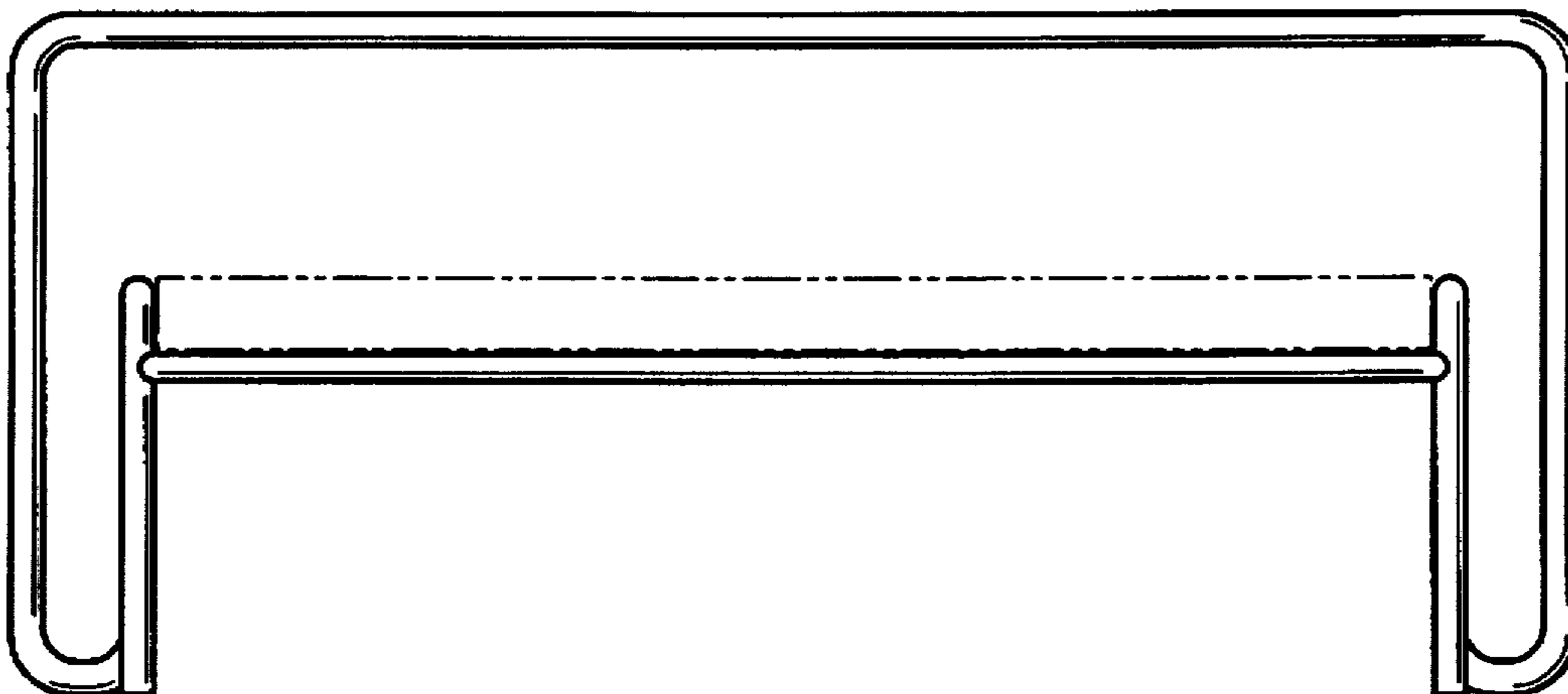


FIG. 4

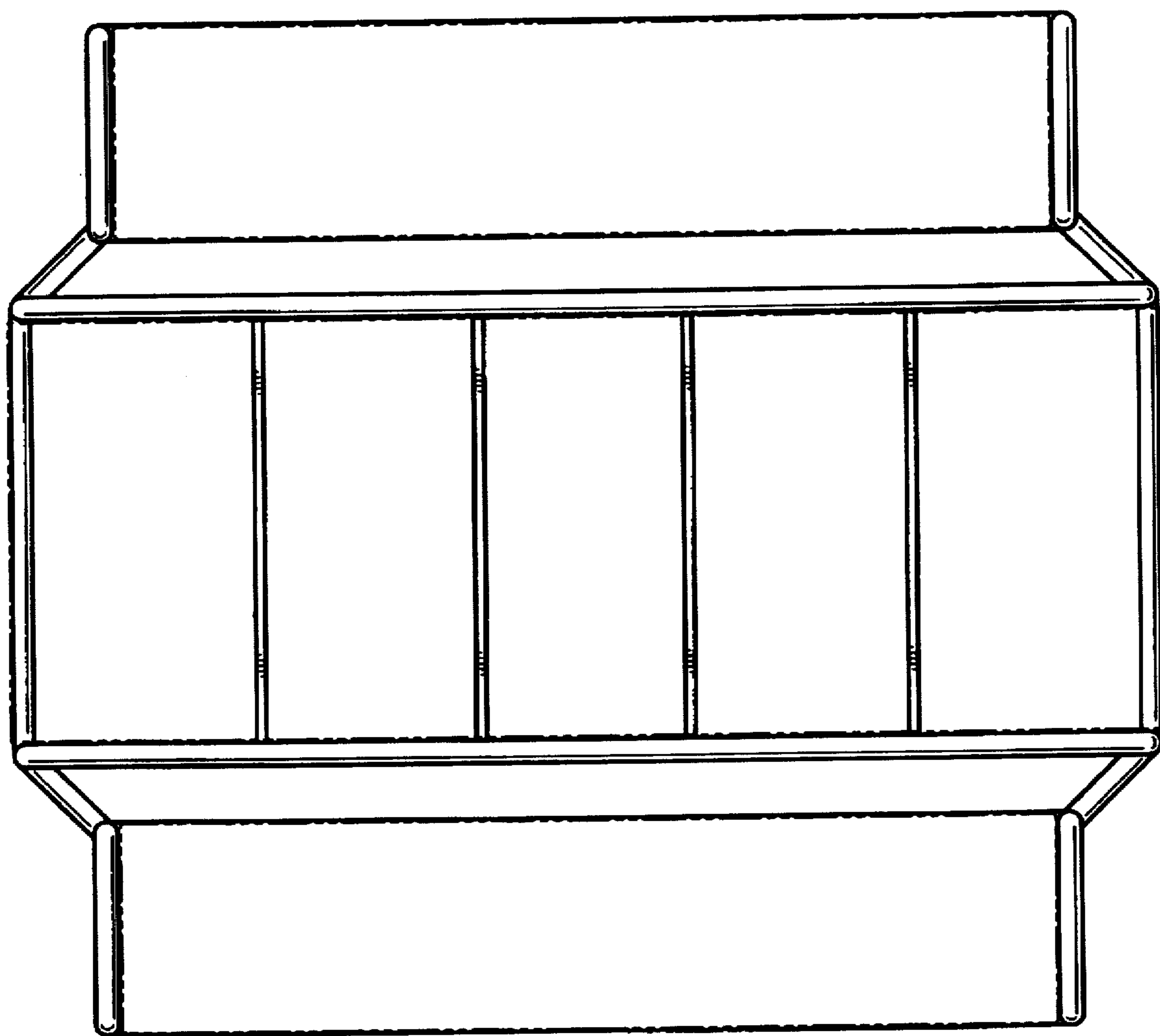


FIG. 5

