

US00D387910S

United States Patent [19]

Berti

[11] Patent Number: **Des. 387,910**

[45] Date of Patent: ****Dec. 23, 1997**

[54] PIVOT-HANDLED BROOM

3,016,556 1/1962 Greenleaf D32/50 X
5,010,616 4/1991 Berti 15/159.1

[75] Inventor: **Enzo Berti**, Venice, Italy

[73] Assignee: **The Libman Company**, Arcola, Ill.

[**] Term: **14 Years**

Primary Examiner—Susan J. Lucas
Assistant Examiner—Cynthia E. Ramirez
Attorney, Agent, or Firm—Marshall, O'Toole, Gerstein,
Murray & Borun

[21] Appl. No.: **60,395**

[57] **CLAIM**

[22] Filed: **Sep. 27, 1996**

The ornamental design for a pivot-handled broom, as shown and described.

[51] LOC (6) Cl. **04-99**

[52] U.S. Cl. **D4/199; D32/51**

[58] Field of Search D32/50, 51, 52;
D4/130, 132, 135, 199; 15/159, 160, 171,
173, 174, 175, 176.4

DESCRIPTION

[56] **References Cited**

U.S. PATENT DOCUMENTS

D. 206,933 2/1967 Gibbs D32/50
D. 315,250 3/1991 Lapin D32/50 X
D. 346,905 5/1994 Berti D4/199
D. 368,164 3/1996 Reeder D32/50 X

FIG. 1 is a perspective;
FIG. 2 is a front view, the back view being identical thereto;
FIG. 3 is a top view;
FIG. 4 is a right-side view, the left-side view being identical thereto; and,
FIG. 5 is a bottom view.
The broken lines in FIG. 1 and FIG. 5 represent bristles and a handle, and form no part of the claimed design.

1 Claim, 3 Drawing Sheets

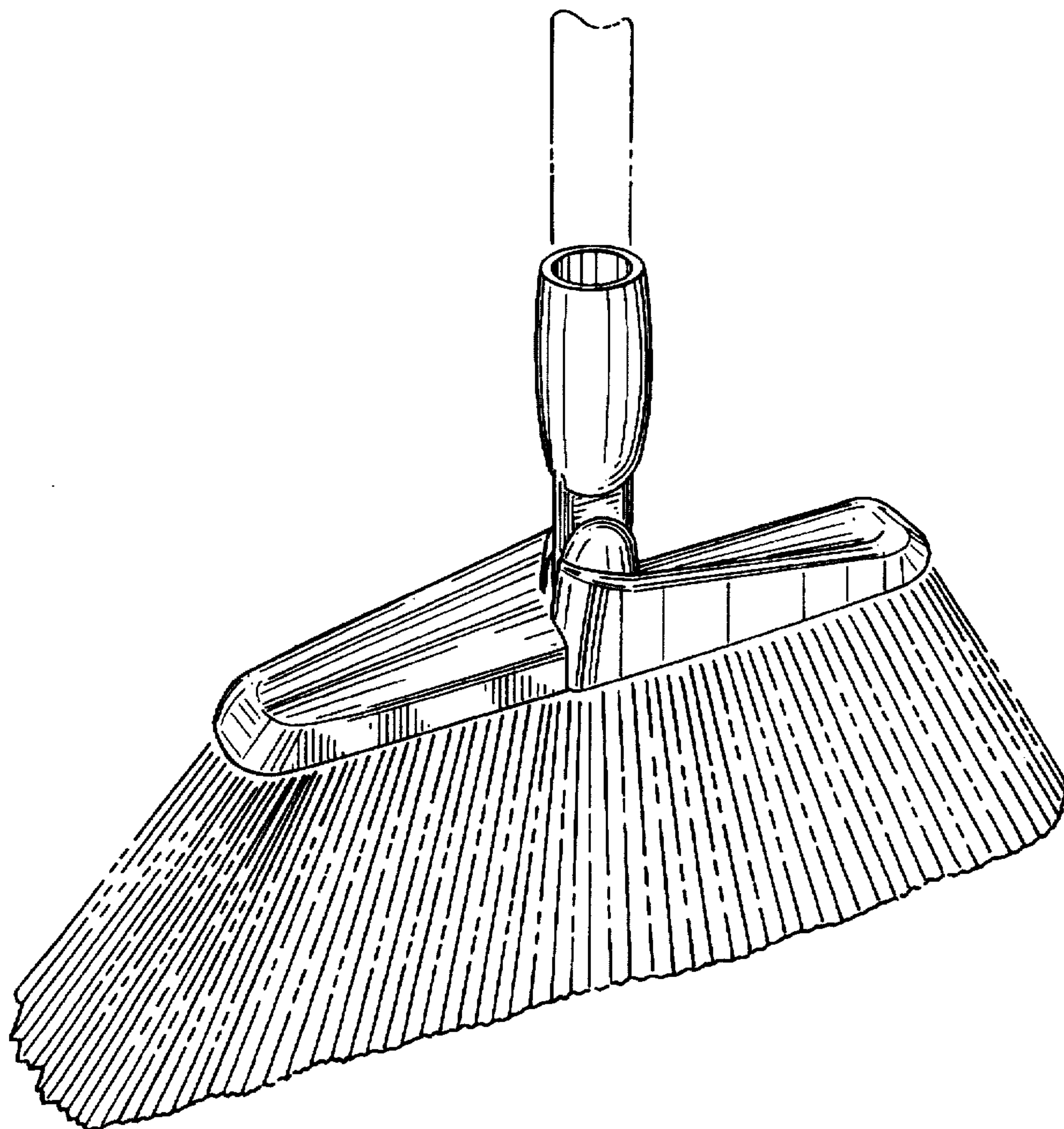
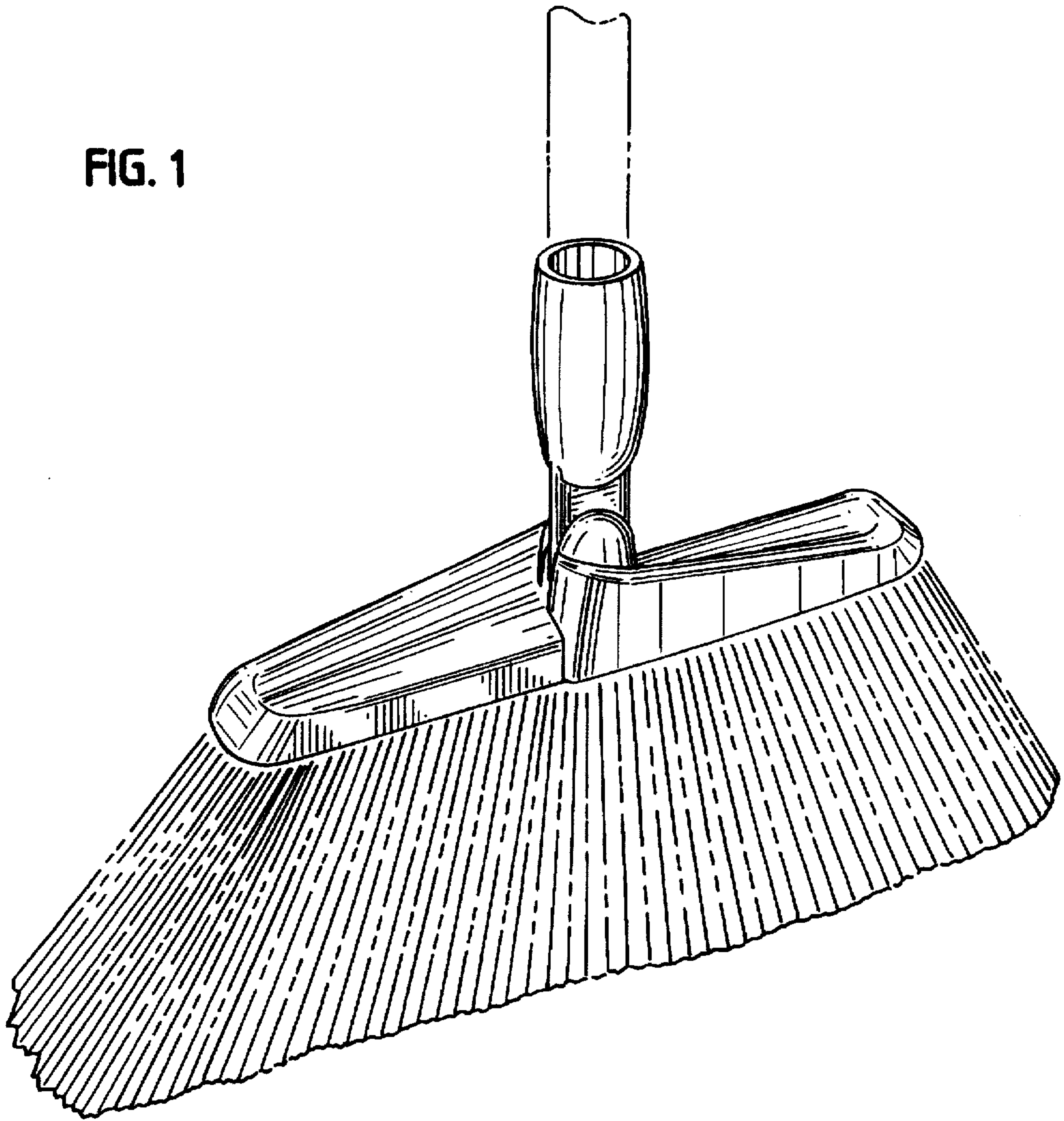
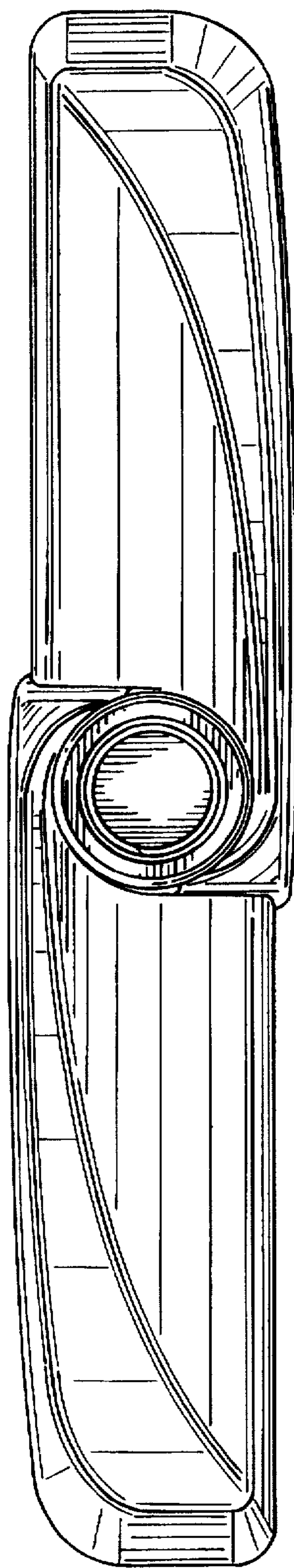
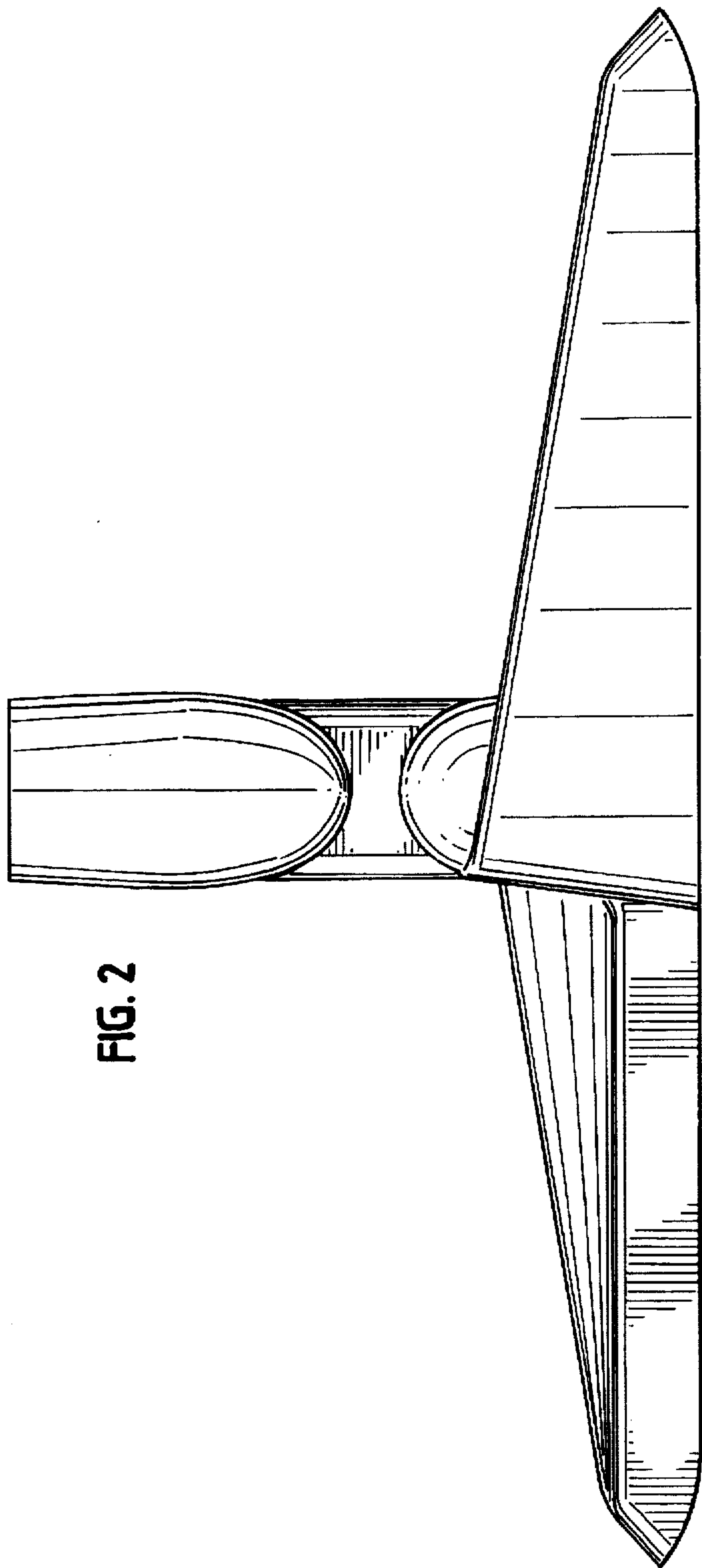


FIG. 1





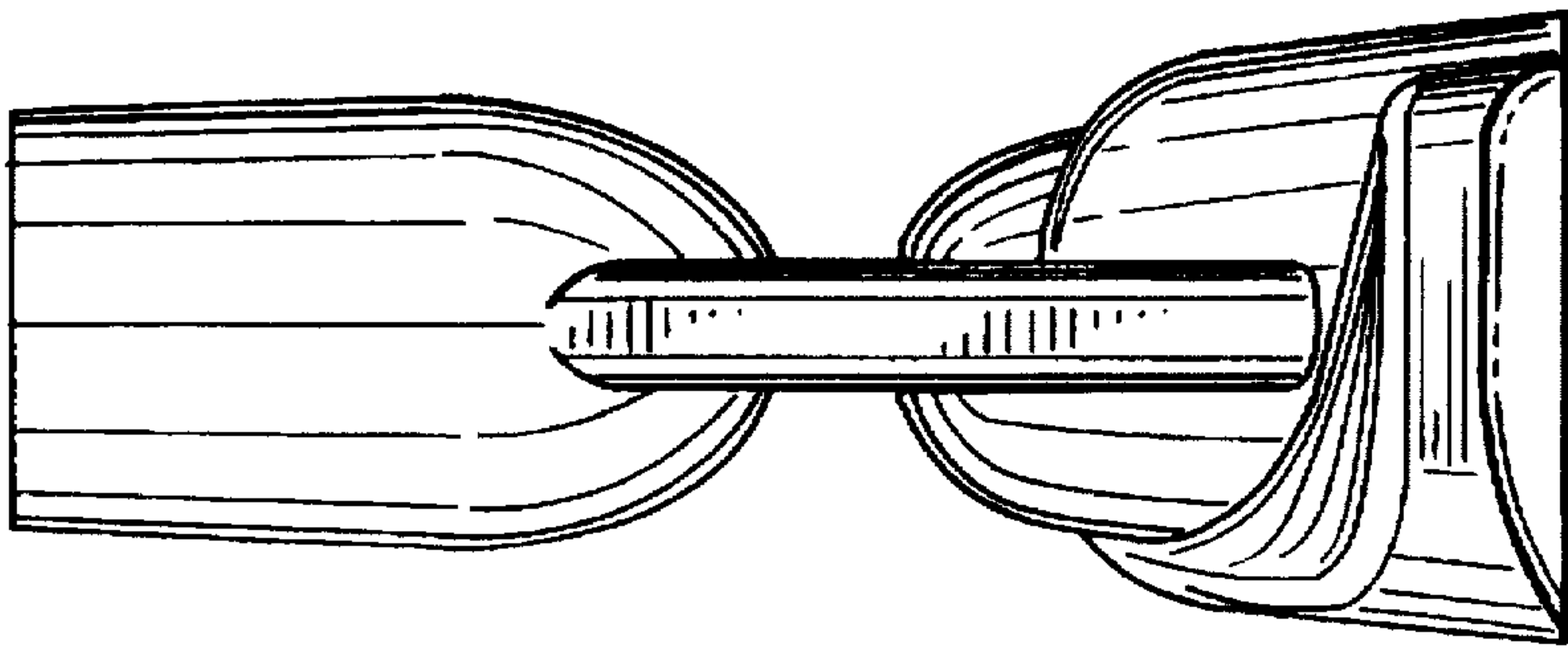


FIG. 4

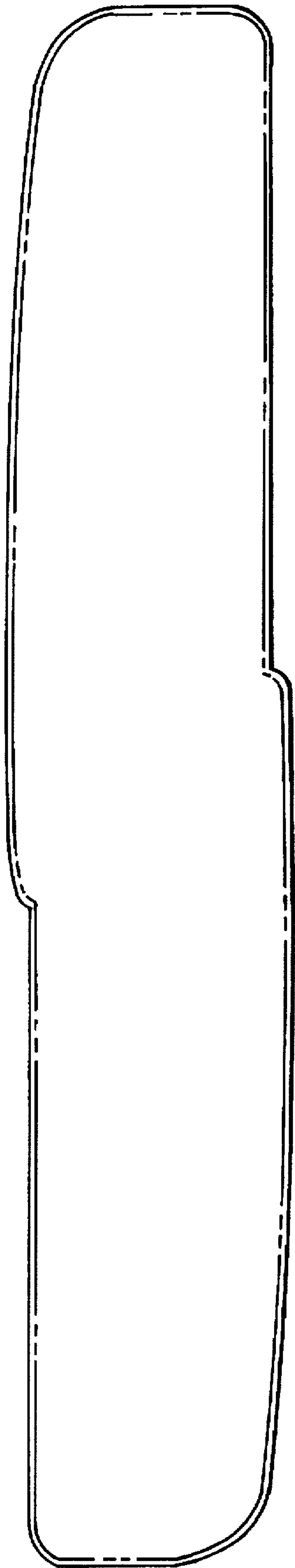


FIG. 5