



US00D387909S

United States Patent [19]

Mattson

[11] Patent Number: **Des. 387,909**

[45] Date of Patent: ****Dec. 23, 1997**

[54] **NAIL POLISH BOTTLE**

[76] Inventor: **Janet Mattson**, 76 Valentine Drive,
Toronto, Ontario, Canada, M3A 3J8

[**] Term: **14 Years**

[21] Appl. No.: **61,819**

[22] Filed: **Oct. 31, 1996**

[51] LOC (6) Cl. **04-02**

[52] U.S. Cl. **D4/116; D9/548; D9/561;
D9/338**

[58] Field of Search D9/300, 337, 338,
D9/561, 568, 500, 505, 503, 521, 548,
545, 546; D4/116, 127, 114, 132, 135;
D28/1, 7, 76; 215/208, 227, 228; 401/118-119,
121-123, 126-127, 129-130

[56] **References Cited**

U.S. PATENT DOCUMENTS

D. 50,011 12/1916 Bell D9/561 X

D. 130,820	12/1941	Bettiol	D9/548 X
D. 135,236	3/1943	Younghasband	D4/116
D. 158,071	4/1950	Guerlain	D9/545
D. 207,924	6/1967	Revillon	D9/503
D. 211,153	5/1968	Pizzurro	D9/300
D. 353,998	1/1995	Kotyuk, Jr.	D9/503
D. 363,375	10/1995	Arntsen	D4/116

Primary Examiner—Martie Thompson

[57] **CLAIM**

The ornamental design for a nail polish bottle, as shown and described.

DESCRIPTION

FIG. 1 is a front elevational view of the nail polish bottle showing my new design;
FIG. 2 is a rear elevational view thereof;
FIG. 3 is a right view thereof;
FIG. 4 is an exploded left view thereof;
FIG. 5 is a top plan view thereof; and,
FIG. 6 is a bottom plan view thereof.

1 Claim, 3 Drawing Sheets

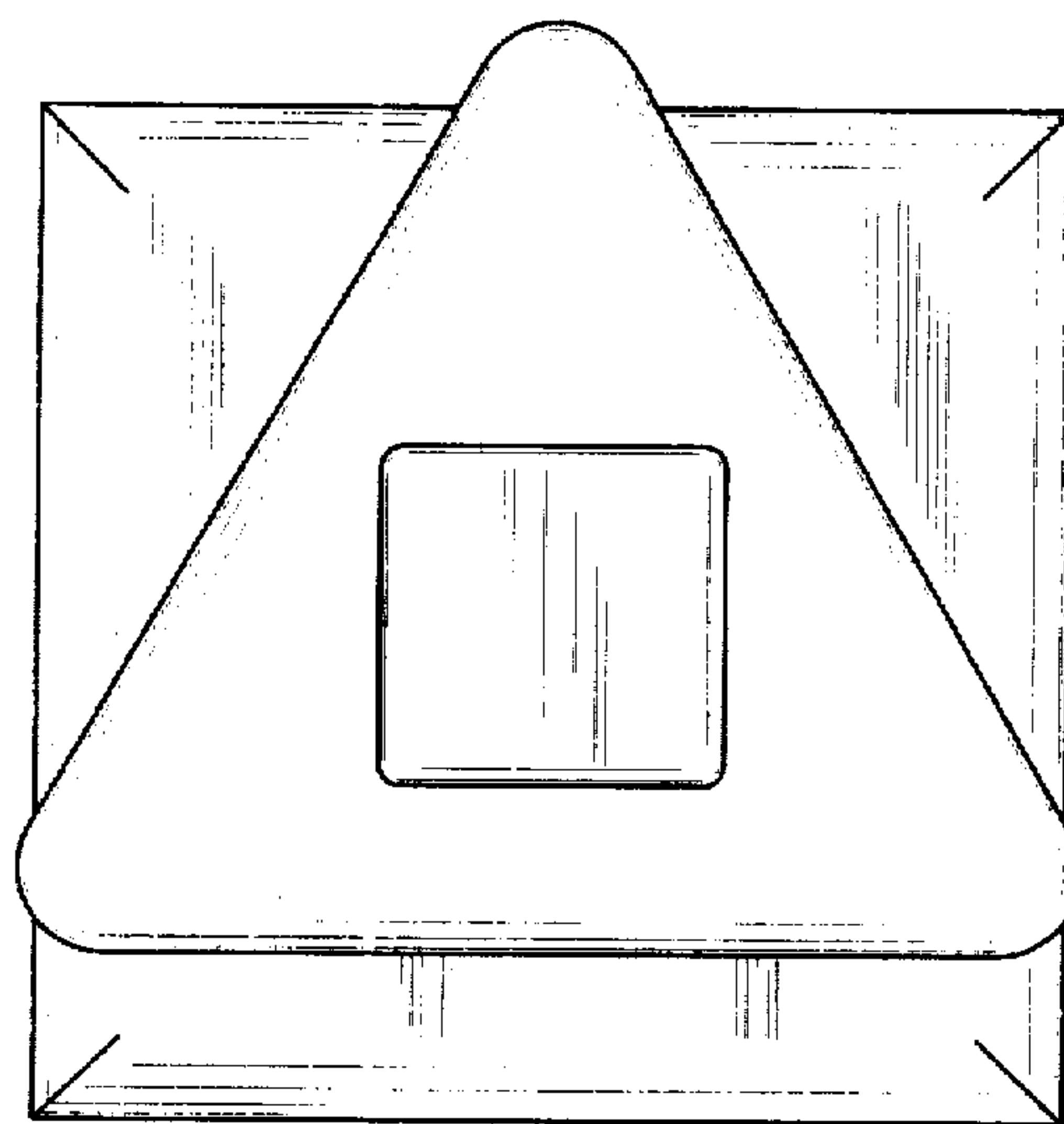
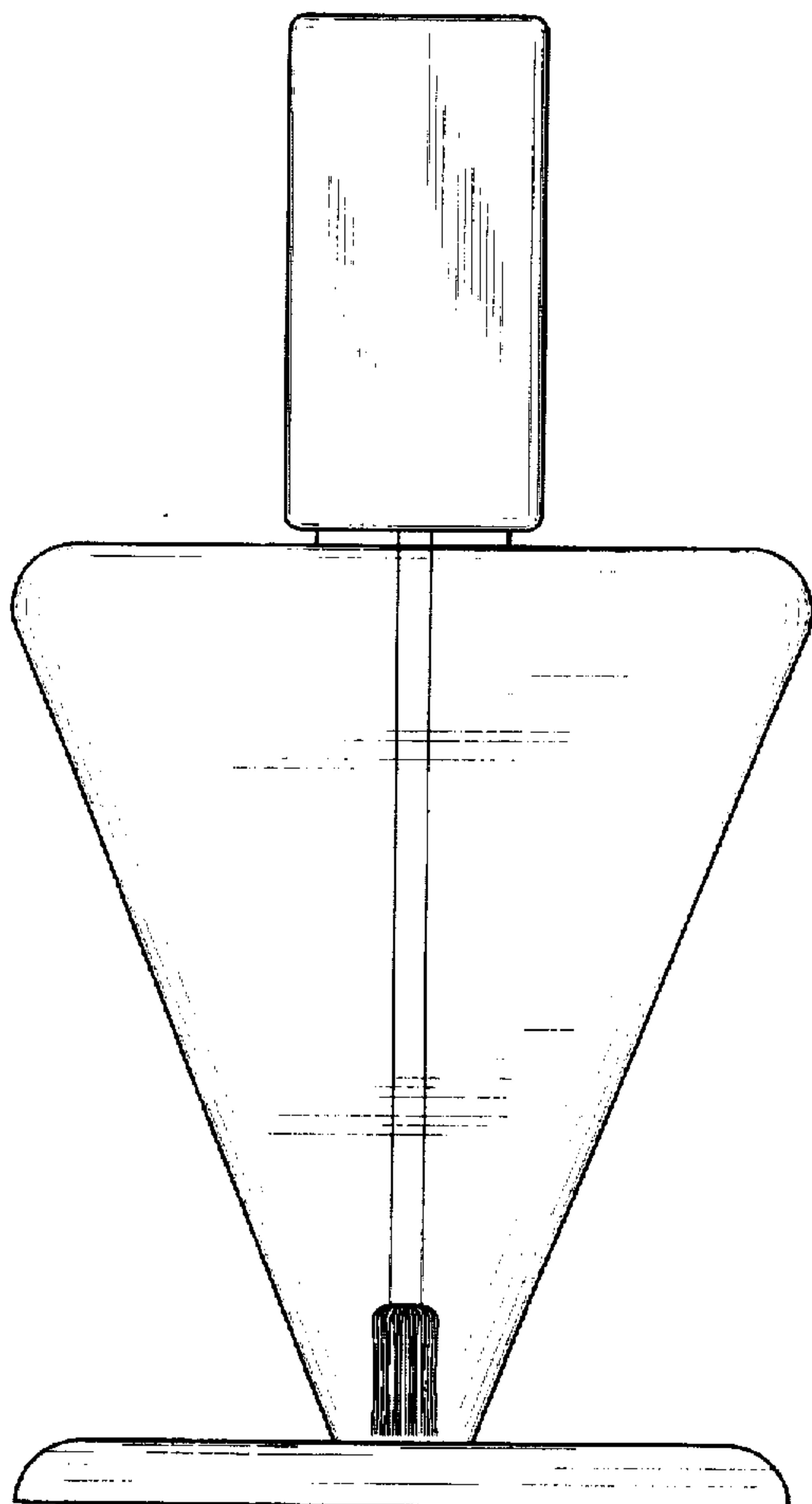


FIG. 1

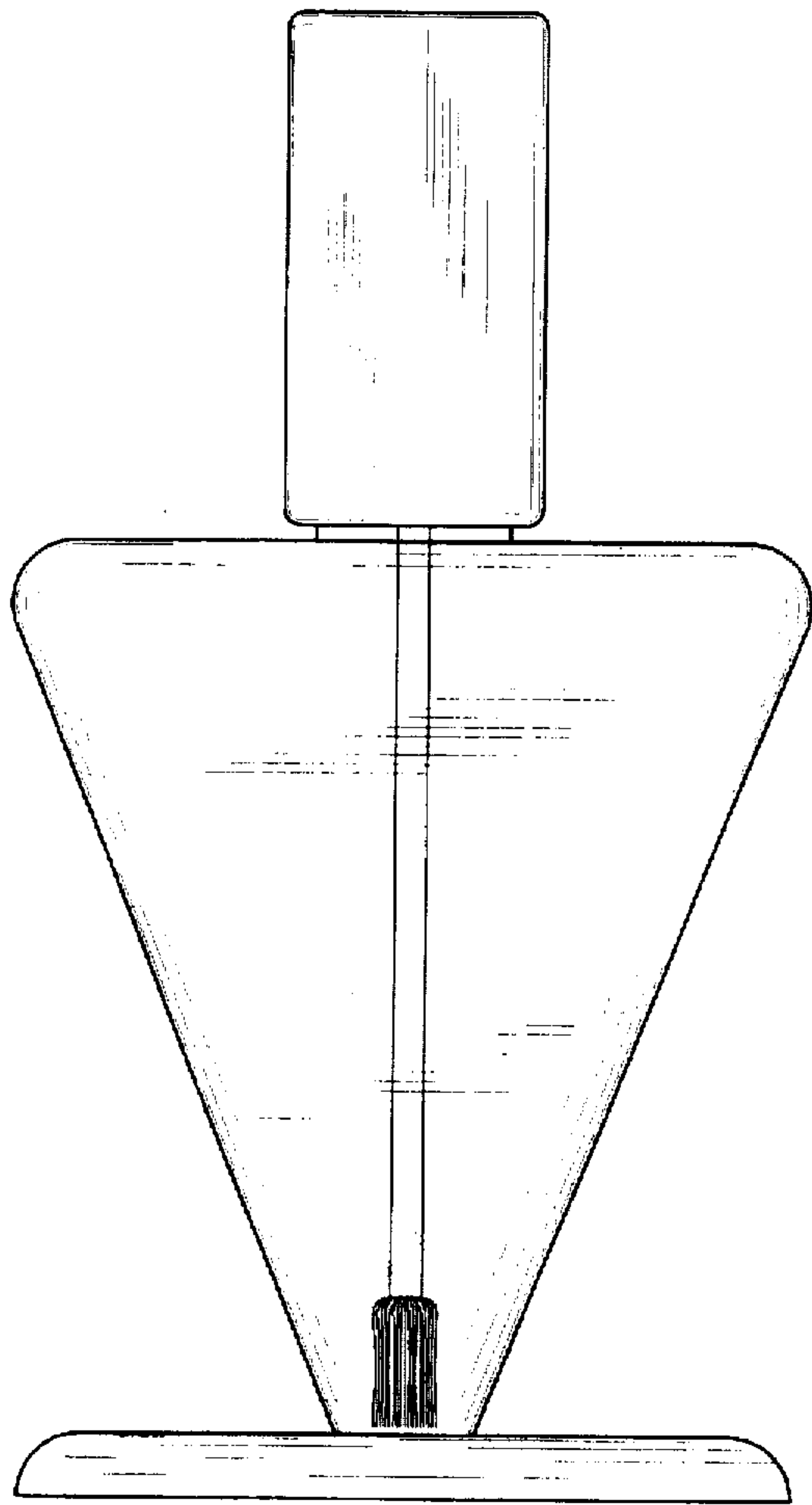


FIG. 2

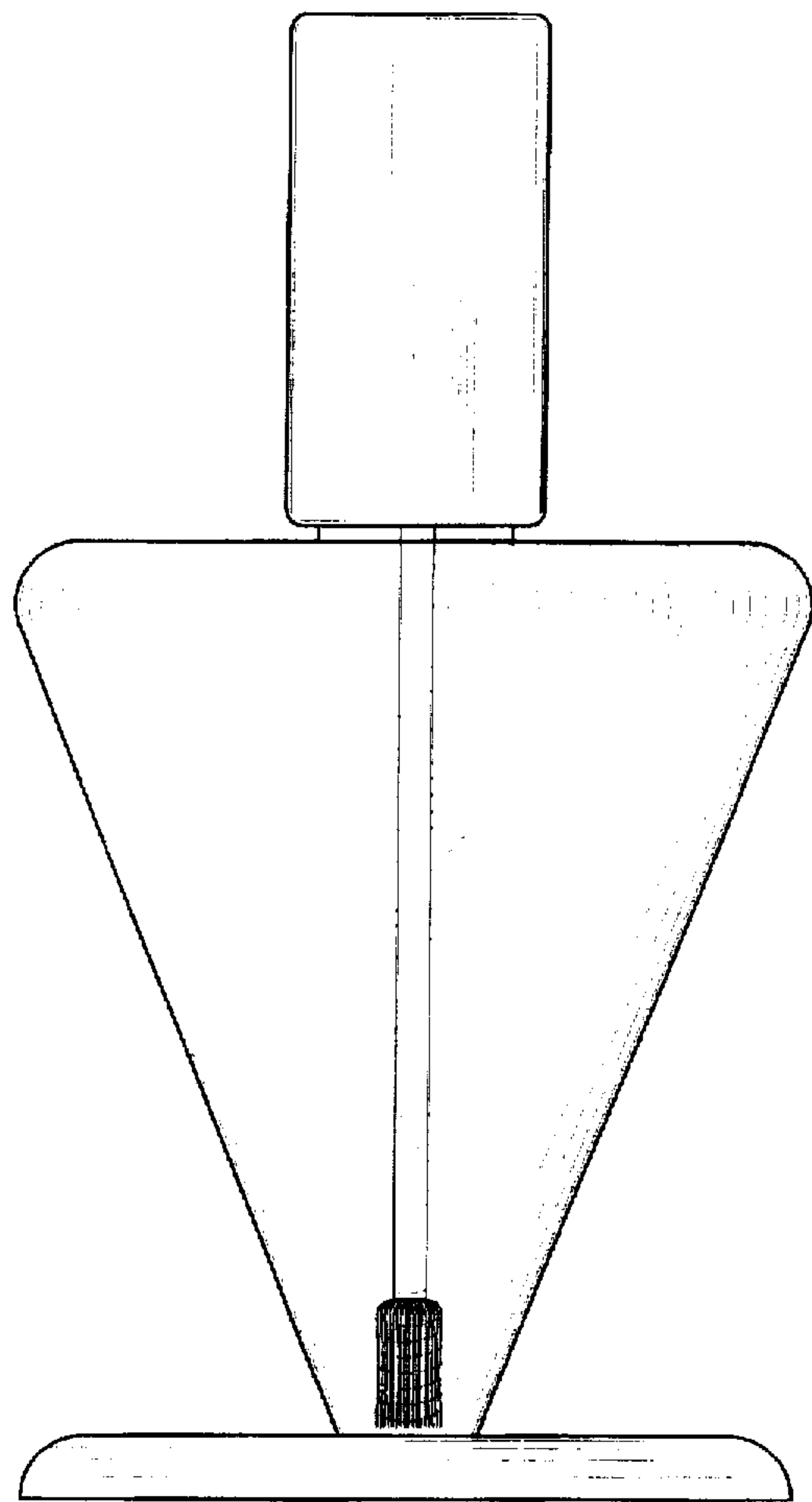


FIG. 3

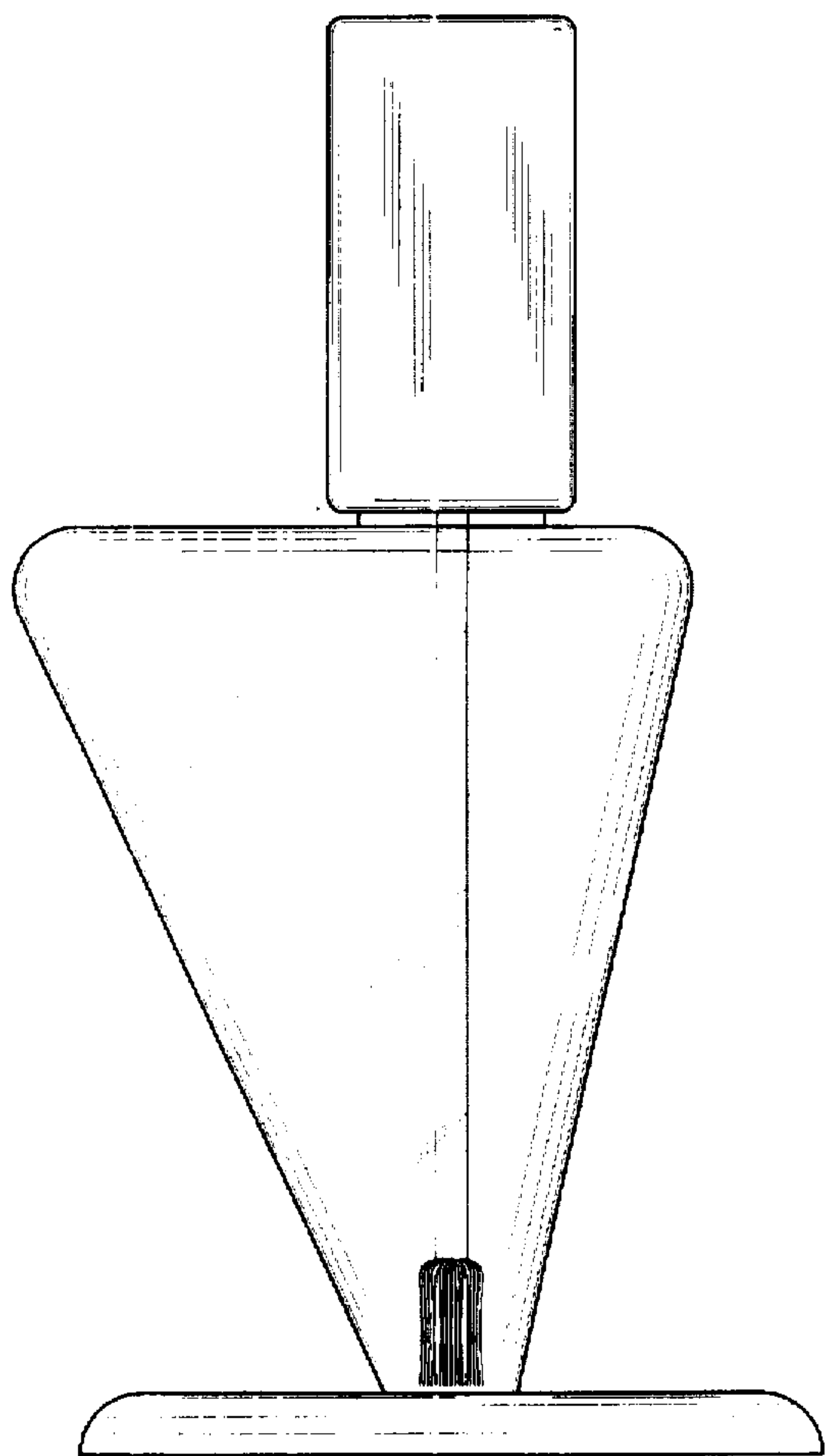


FIG. 4

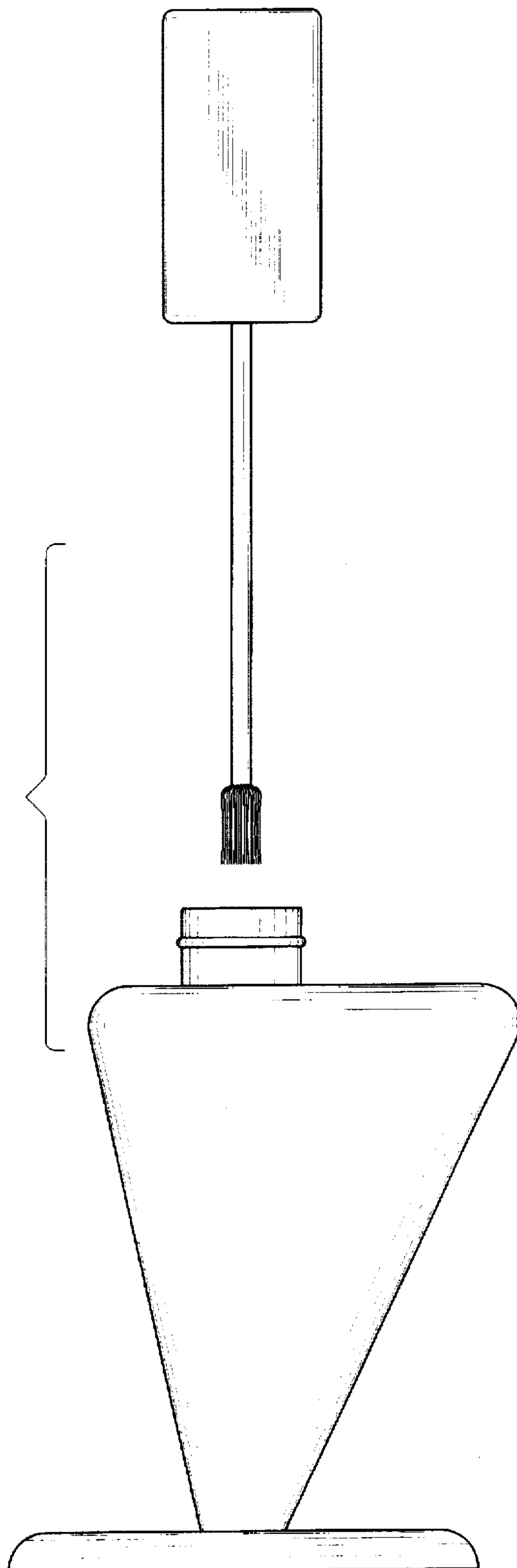


FIG. 5

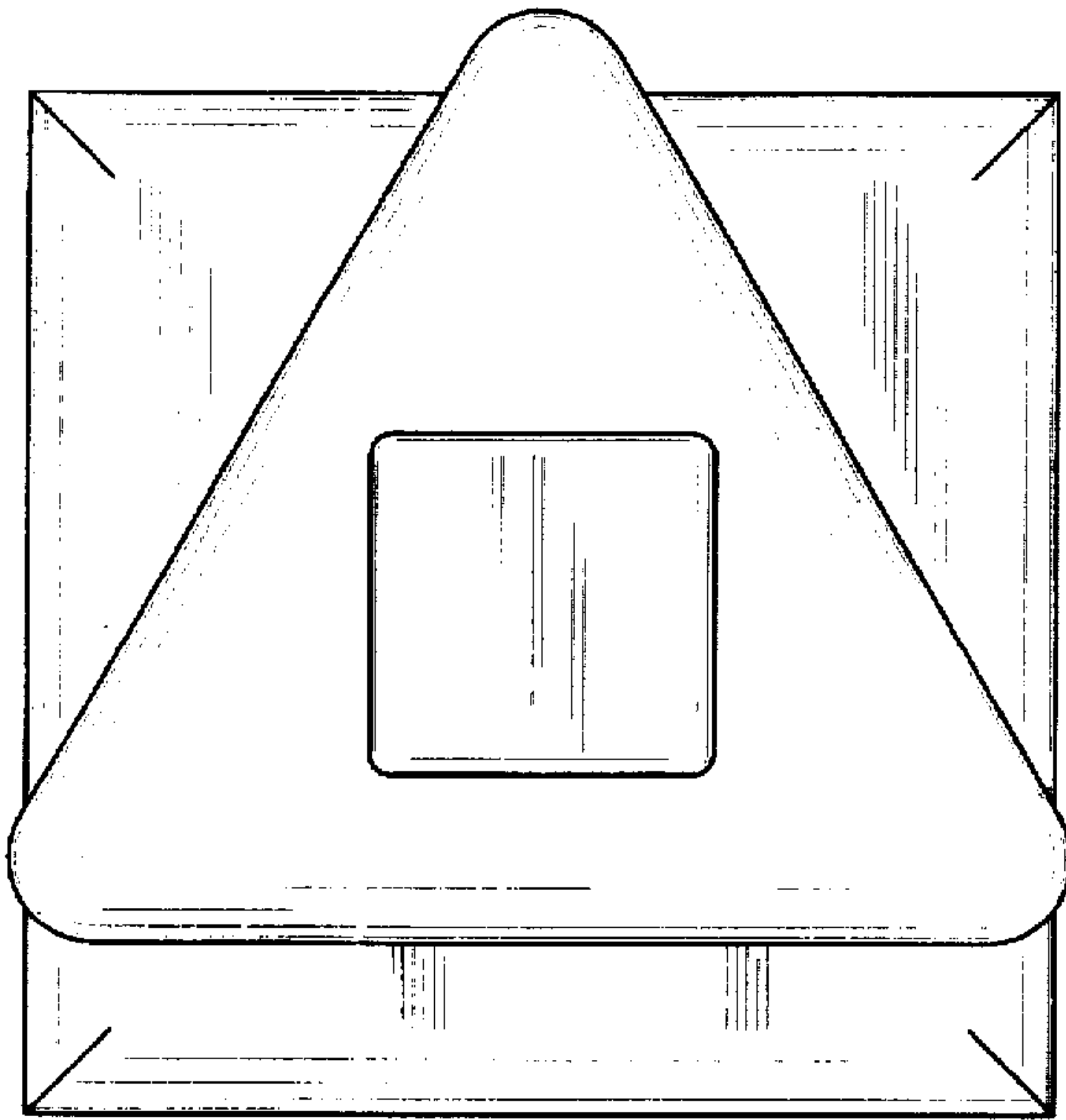


FIG. 6

