



US00D387907S

United States Patent [19]
Vandigriff

[11] **Patent Number: Des. 387,907**
[45] **Date of Patent: **Dec. 23, 1997**

[54] **COMBINED CONTAINER FOR COMPUTER SOFTWARE AND MANUALS**

5,373,945 12/1994 Niehaus 206/308.3 X
5,458,236 10/1995 Schoettle et al. 206/232

[76] **Inventor: John E. Vandigriff**, 190 N. Stemmons Frwy., Suite 200, Lewisville, Tex. 75067

Primary Examiner—Prabhakar G. Deshmukh
Attorney, Agent, or Firm—John E. Vandigriff

[**] **Term: 14 Years**

[57] **CLAIM**

The ornamental design for a combined container for computer software and manual, as shown and described.

[21] **Appl. No.: 45,502**

DESCRIPTION

[22] **Filed: Oct. 23, 1995**

FIG. 1 is a perspective view of a combined container for computer software and manuals showing my new design; FIG. 2 is a perspective view thereof; with the media shown in an extended position for clarity; FIG. 3 is a right side elevational view thereof; the left side elevational being a mirror image thereof; FIG. 4 is a front elevational view thereof; FIG. 5 is a bottom plan view thereof; FIG. 6 is a perspective view thereof; with the media and manual shown in an extended position for clarity; and, FIG. 7 is a perspective view thereof; shown in environmental use.

[51] **LOC (6) Cl. 03-99**

[52] **U.S. Cl. D3/319**

[58] **Field of Search** D9/432, 414, 422, D9/337; D14/120, 121, 136; D3/218, 319; 206/232, 767, 768, 308.1, 308.2, 308.3, 311, 312, 387.14; D6/407, 396

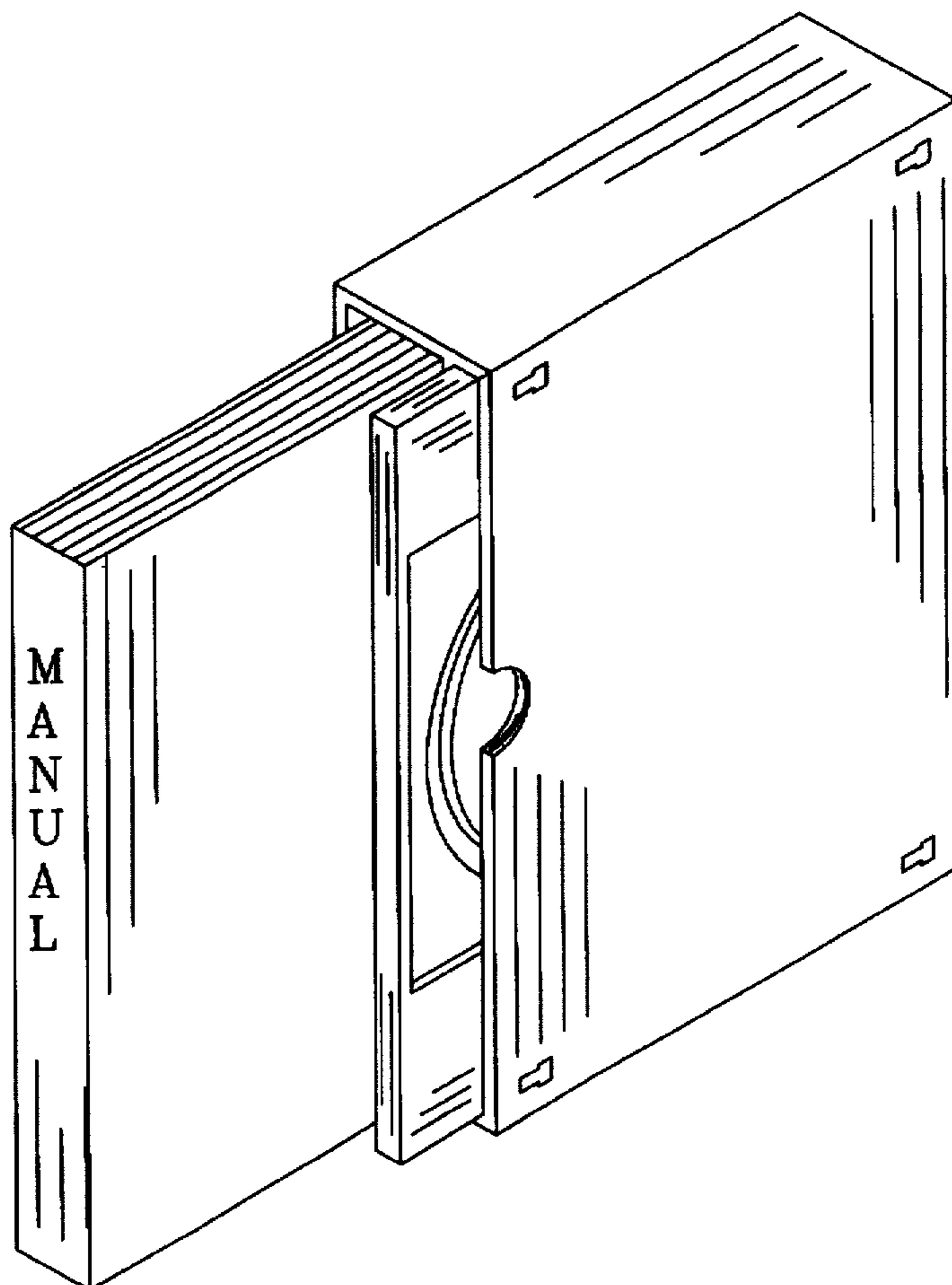
The broken line showing of bottom supports in FIG. 1 and an additional attached container in FIG. 7 is for illustrative purposes and forms no part of the claim. The rear is unornamented.

[56] **References Cited**

U.S. PATENT DOCUMENTS

D. 362,149	9/1995	Bond et al.	D6/407 X
4,512,469	4/1985	West	206/308.3 X
4,694,957	9/1987	Ackeret	206/308.3 X
4,773,061	9/1988	Stark et al.	206/308.3 X
5,103,978	4/1992	Secor	206/308.3 X
5,360,107	11/1994	Chasin et al.	206/308.1 X

1 Claim, 5 Drawing Sheets



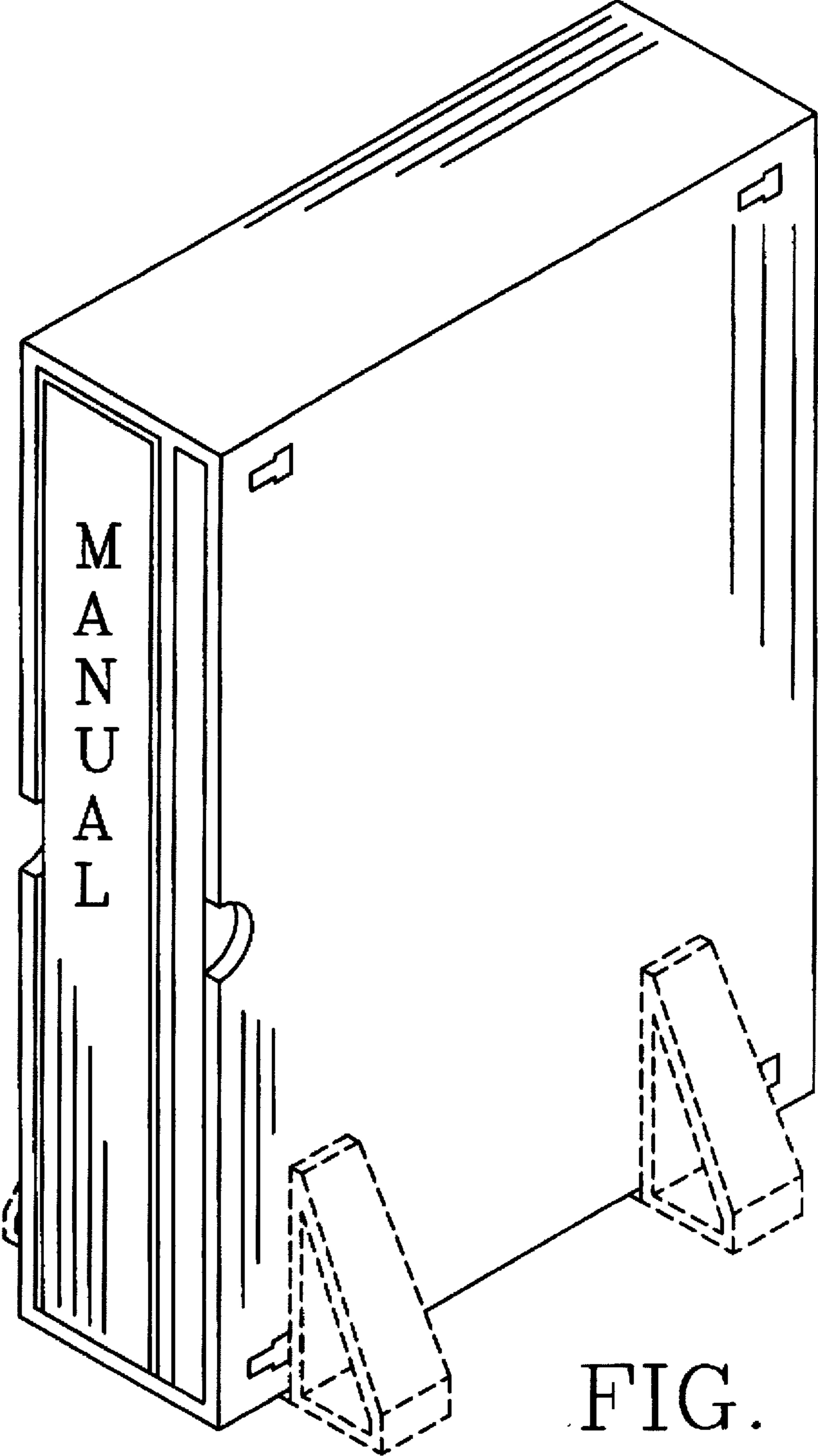


FIG. 1

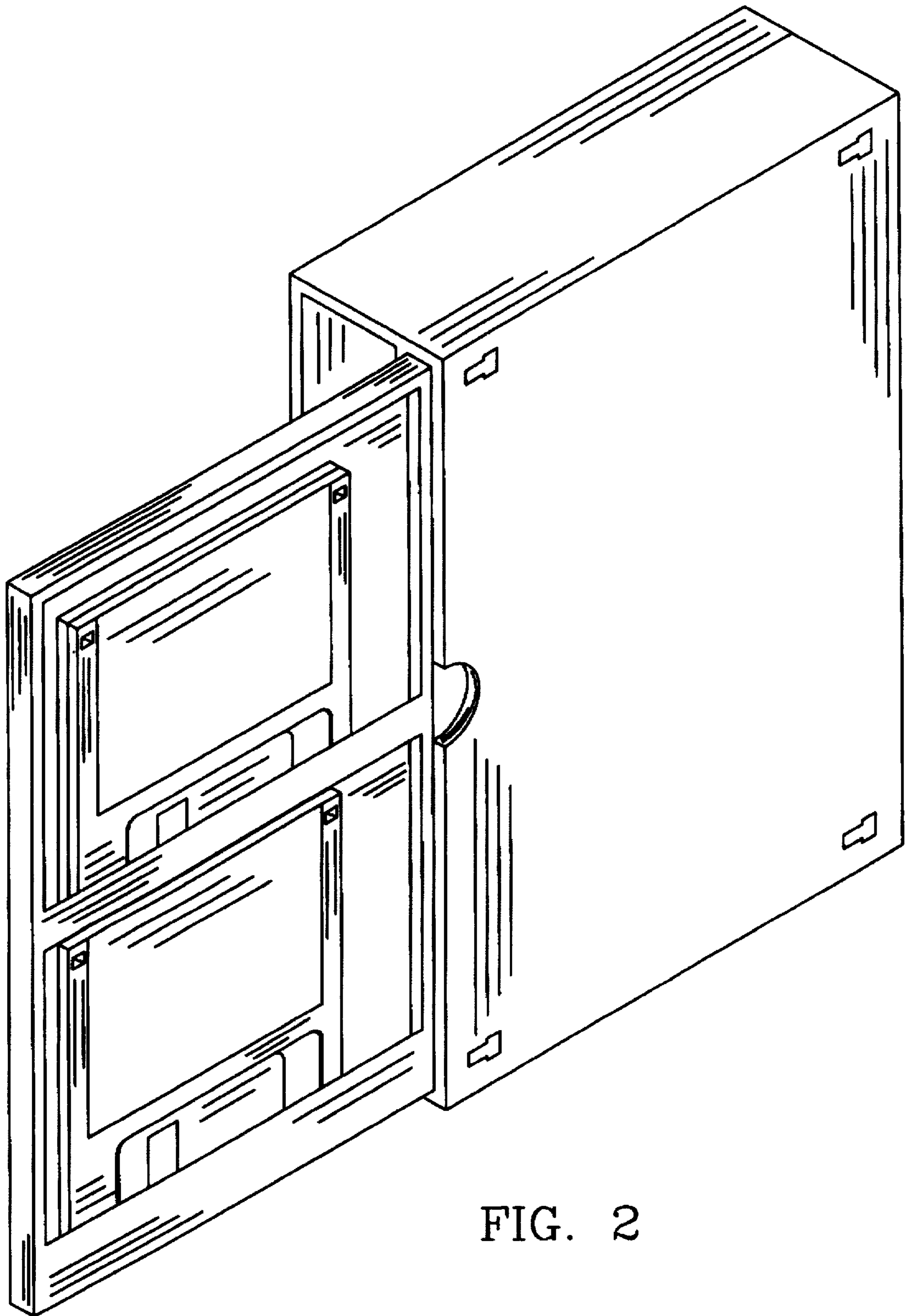


FIG. 2

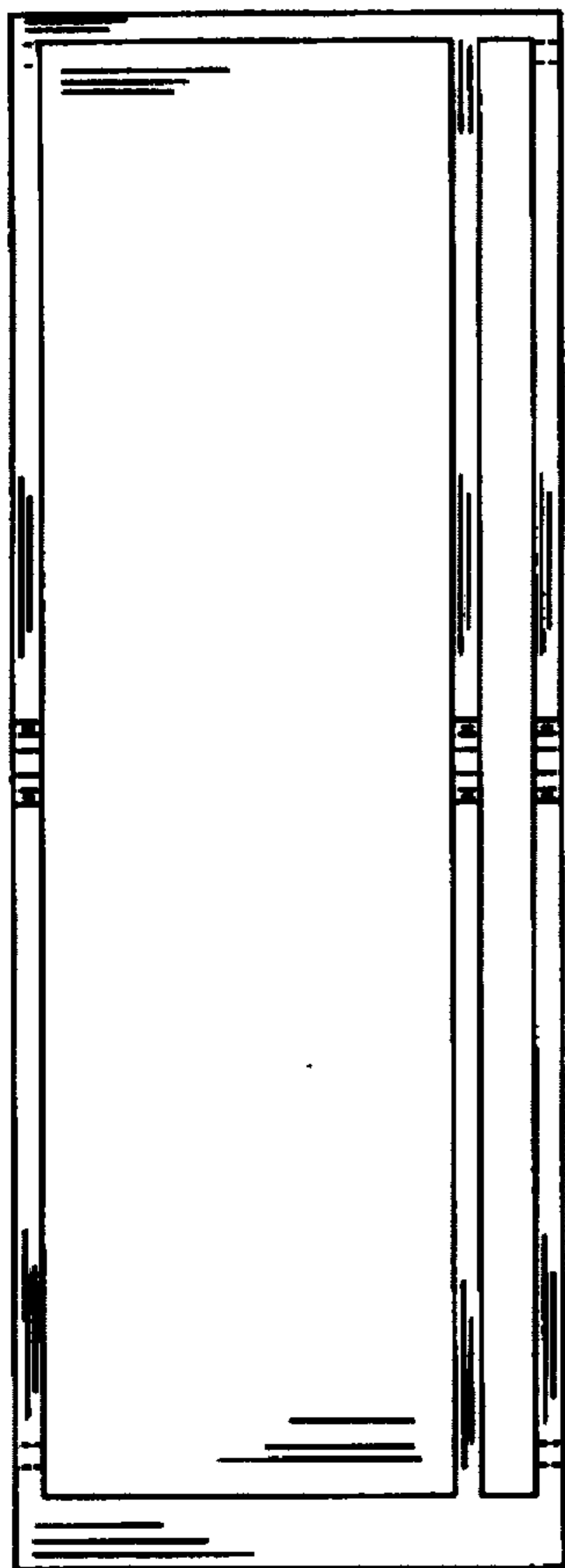


FIG. 4

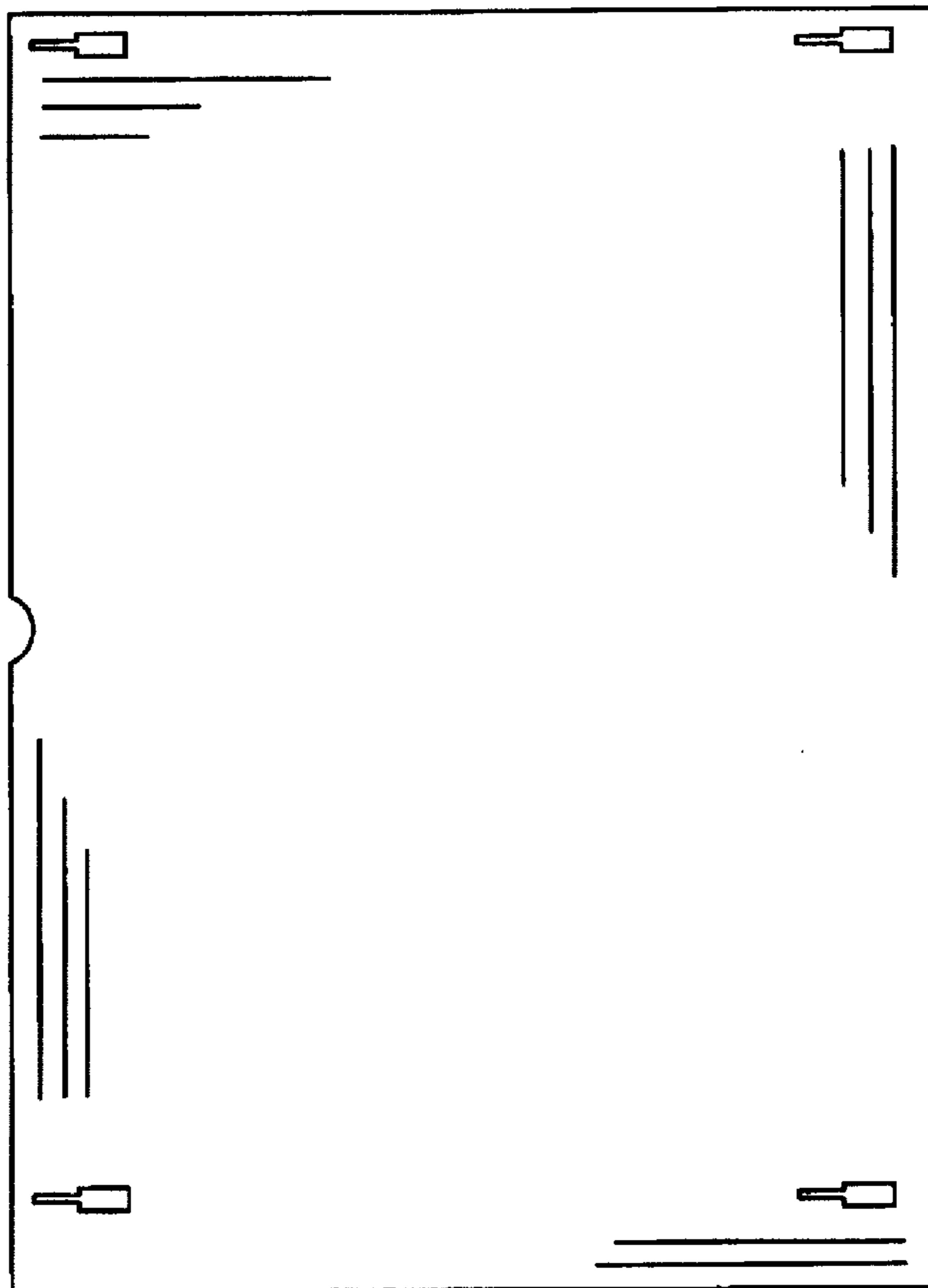


FIG. 3

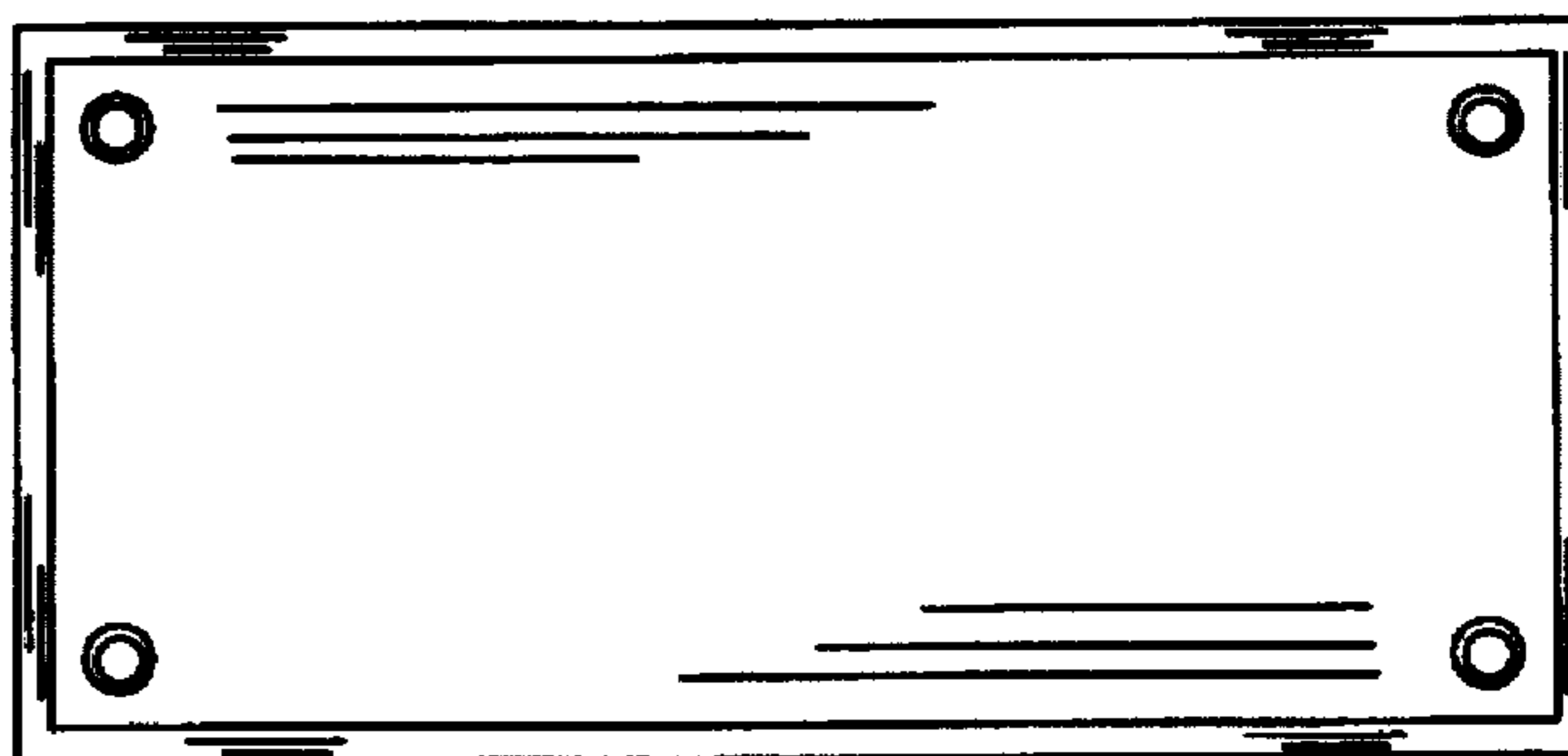


FIG. 5

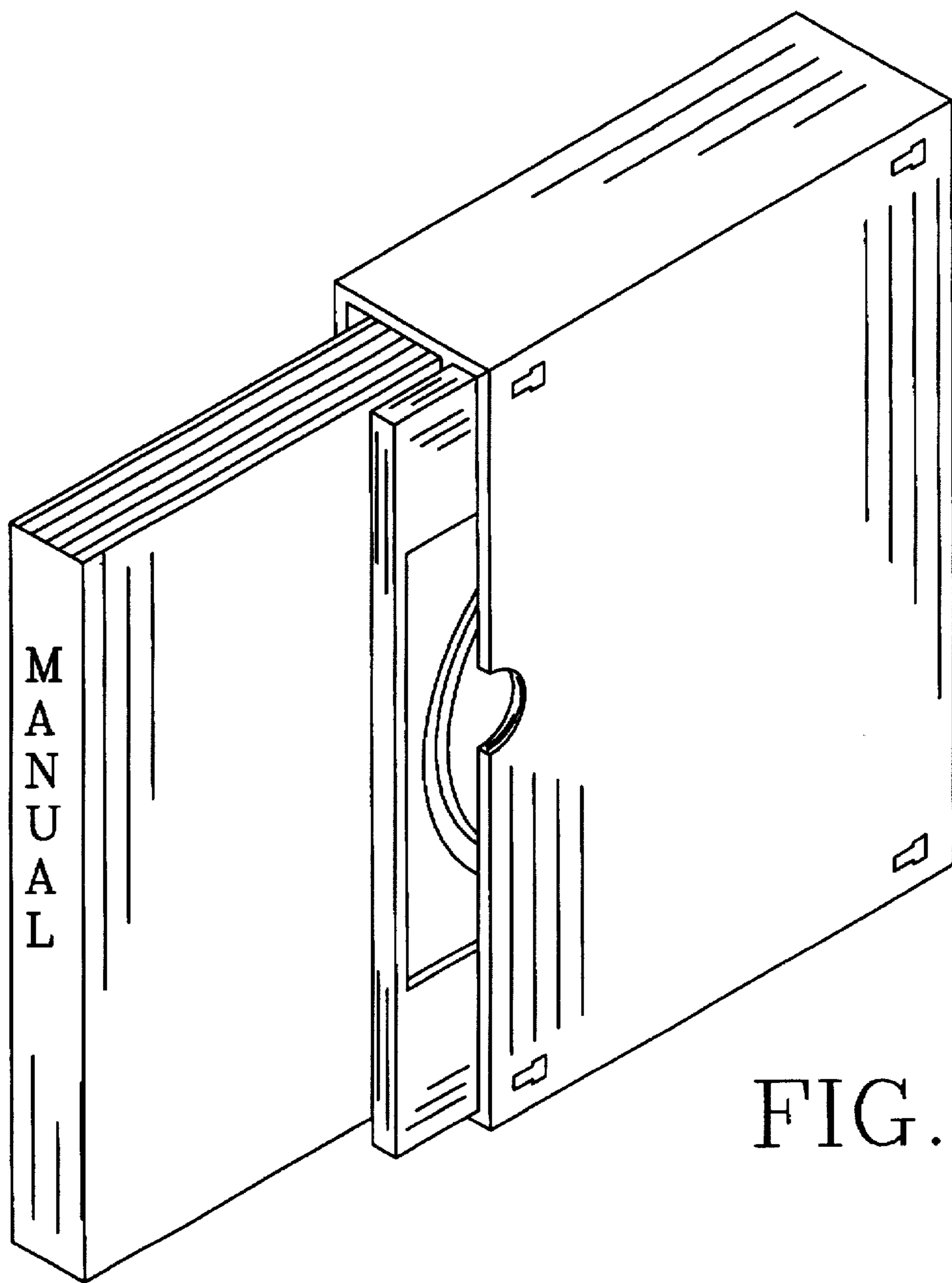


FIG. 6

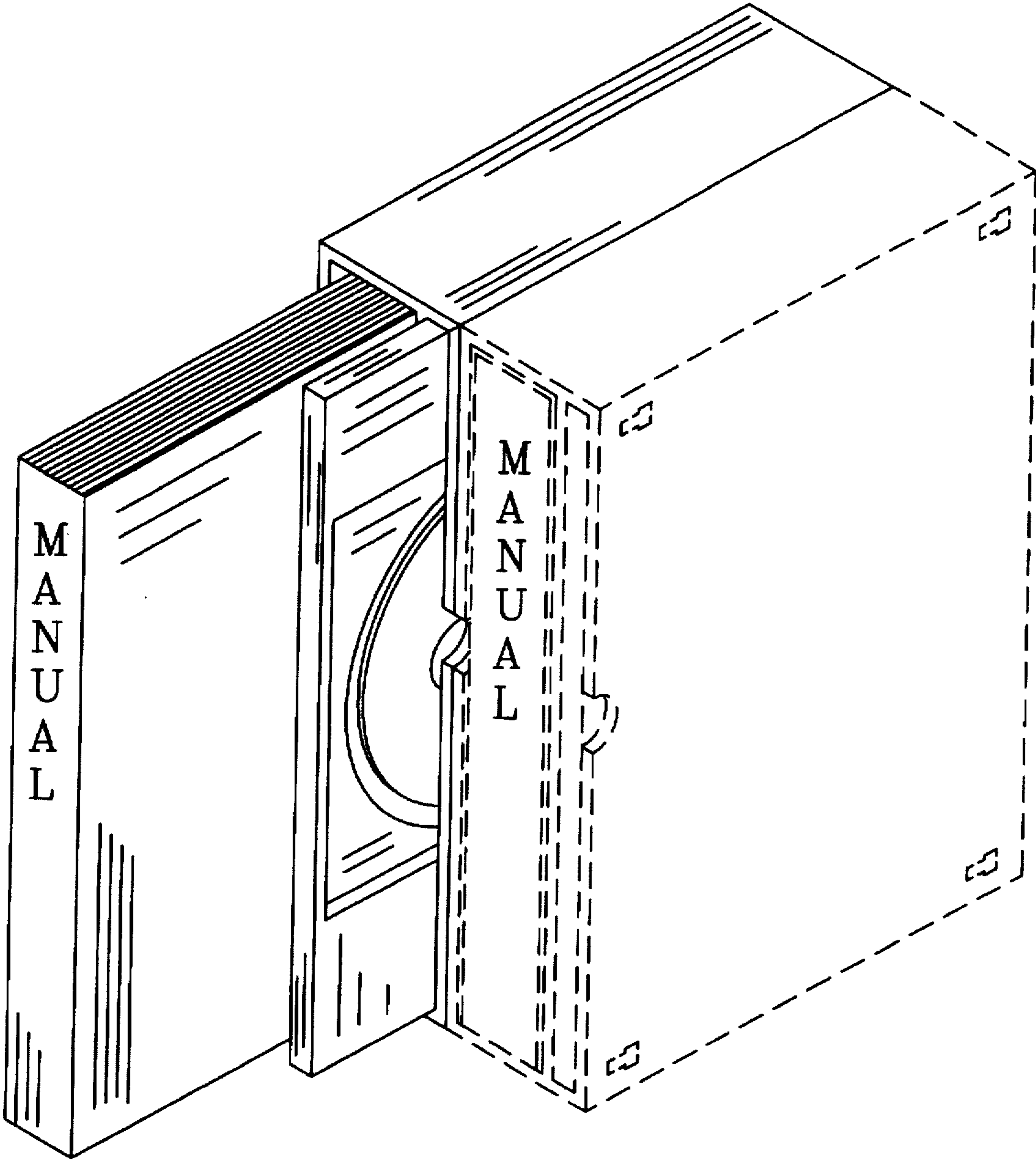


FIG. 7