



US00D387906S

**United States Patent** [19]  
**Petty**

[11] **Patent Number: Des. 387,906**

[45] **Date of Patent: \*\*Dec. 23, 1997**

[54] **COMPARTMENTED CONTAINER**  
[76] **Inventor: Diana May Petty, 40 South Drive,  
Toronto, Ontario, Canada, M4W 1R1**  
[\*\*] **Term: 14 Years**

D. 338,781 8/1993 Eitel ..... D3/299  
5,348,347 9/1994 Shink ..... 206/576  
5,607,054 3/1997 Hollingsworth ..... 206/576

*Primary Examiner*—Philip S. Hyder  
*Attorney, Agent, or Firm*—Dennison, Meserole, Pollack & Schneiner

[21] **Appl. No.: 60,770**  
[22] **Filed: Oct. 1, 1996**

[57] **CLAIM**

The ornamented design for a compartmented container, as shown and described.

[30] **Foreign Application Priority Data**  
Sep. 6, 1996 [CA] Canada ..... 1996-2002

**DESCRIPTION**

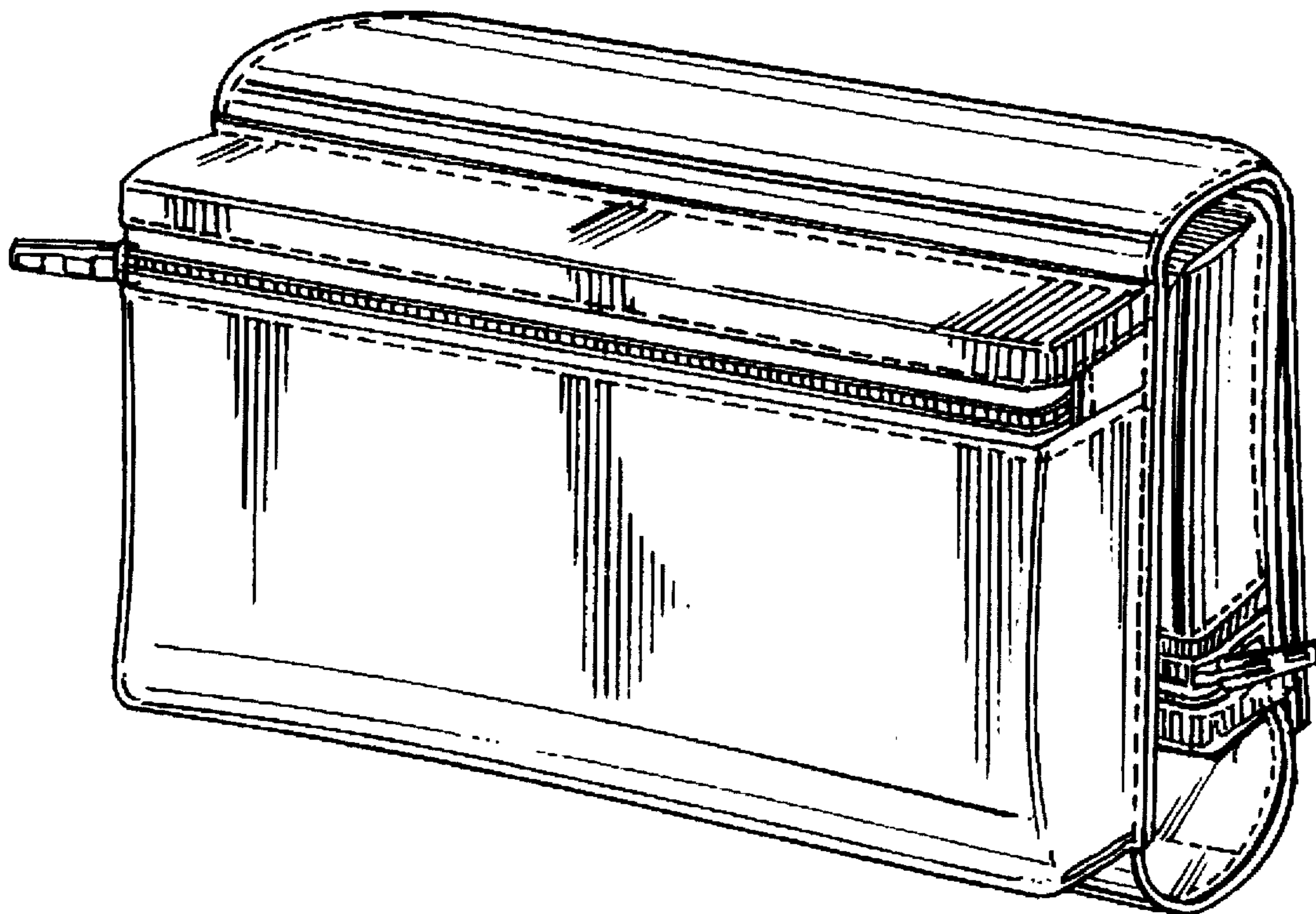
[51] **LOC (6) Cl. .... 03-01**  
[52] **U.S. Cl. .... D3/299; D3/285**  
[58] **Field of Search .... D3/276, 278, 283,  
D3/284, 285, 286, 290, 299; 206/576, 320;  
190/109, 110, 111, 112, 113, 114, 115**

FIG. 1 is a front elevational view of a compartmented container showing my new design;  
FIG. 2 is a rear elevational view thereof;  
FIG. 3 is a top plan view thereof;  
FIG. 4 is a bottom plan view thereof;  
FIG. 5 is a right side elevational view thereof;  
FIG. 6 is a left side elevational view thereof;  
FIG. 7 is a front perspective view thereof in its folded position; and,  
FIG. 8 is a rear perspective view thereof in its folded position.

[56] **References Cited**  
**U.S. PATENT DOCUMENTS**

D. 257,915 1/1981 Katz et al. .... D3/278  
D. 268,305 3/1983 Stark ..... D3/278  
D. 292,843 11/1987 Frezza ..... D3/301  
D. 303,177 9/1989 Lehman ..... D3/274  
D. 333,913 3/1993 Tuman ..... D3/285

**1 Claim, 3 Drawing Sheets**



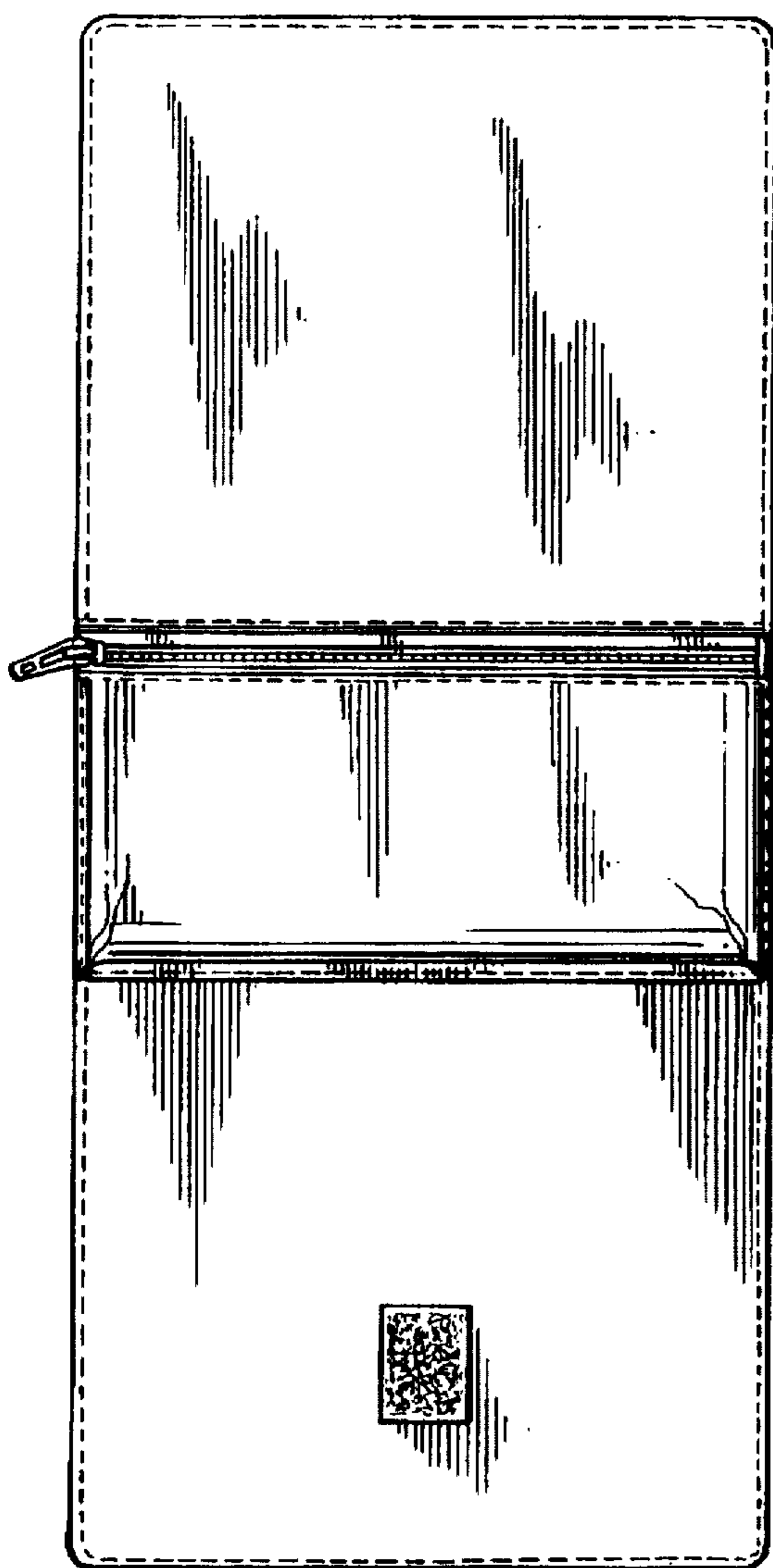


FIG. 1

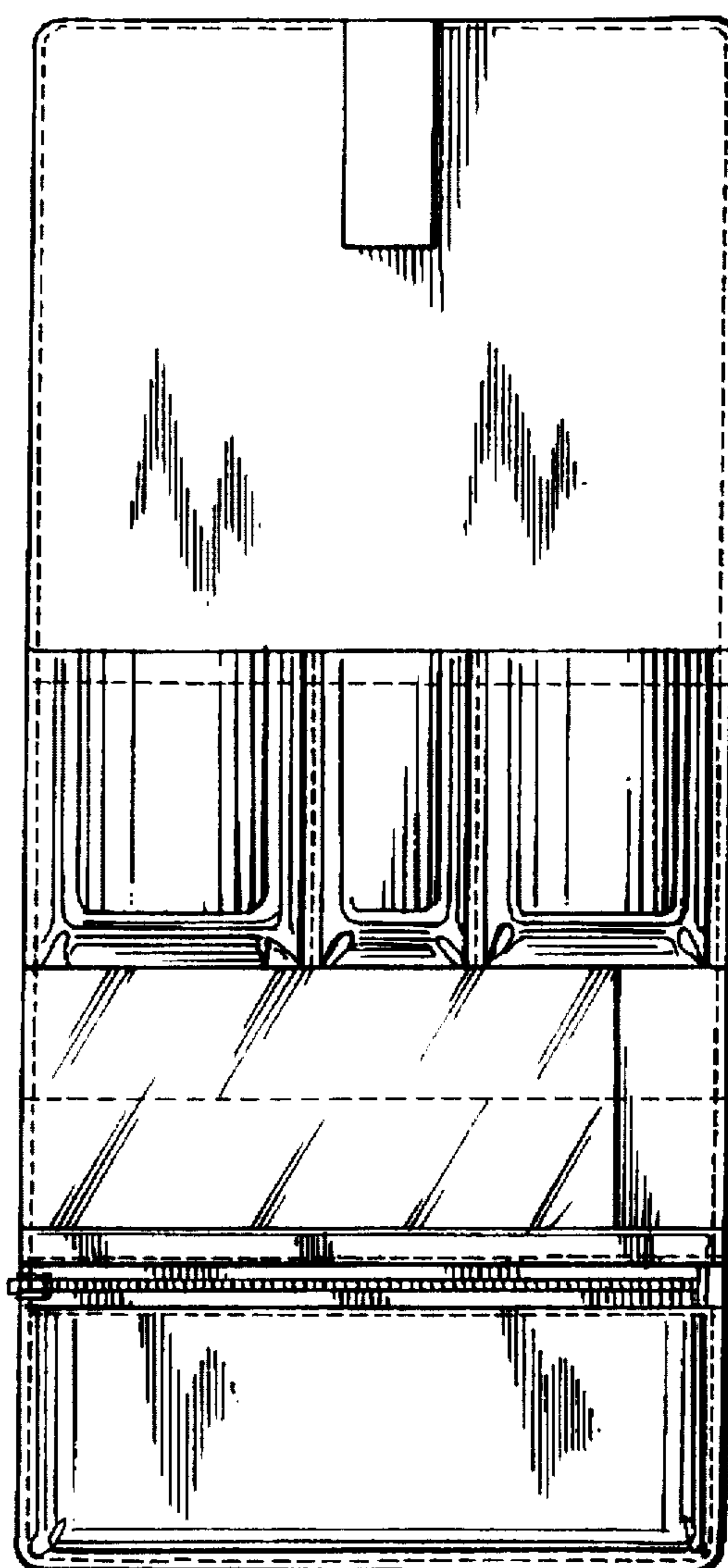


FIG. 2

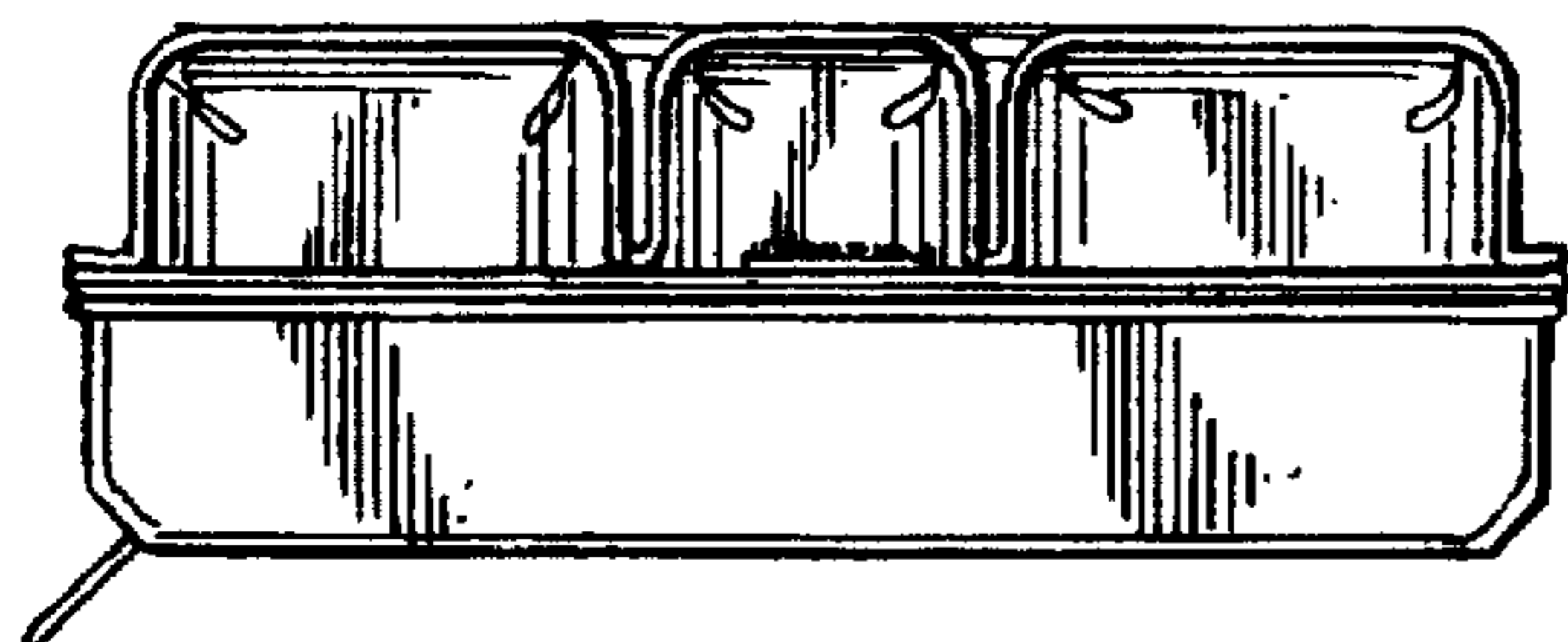


FIG. 3

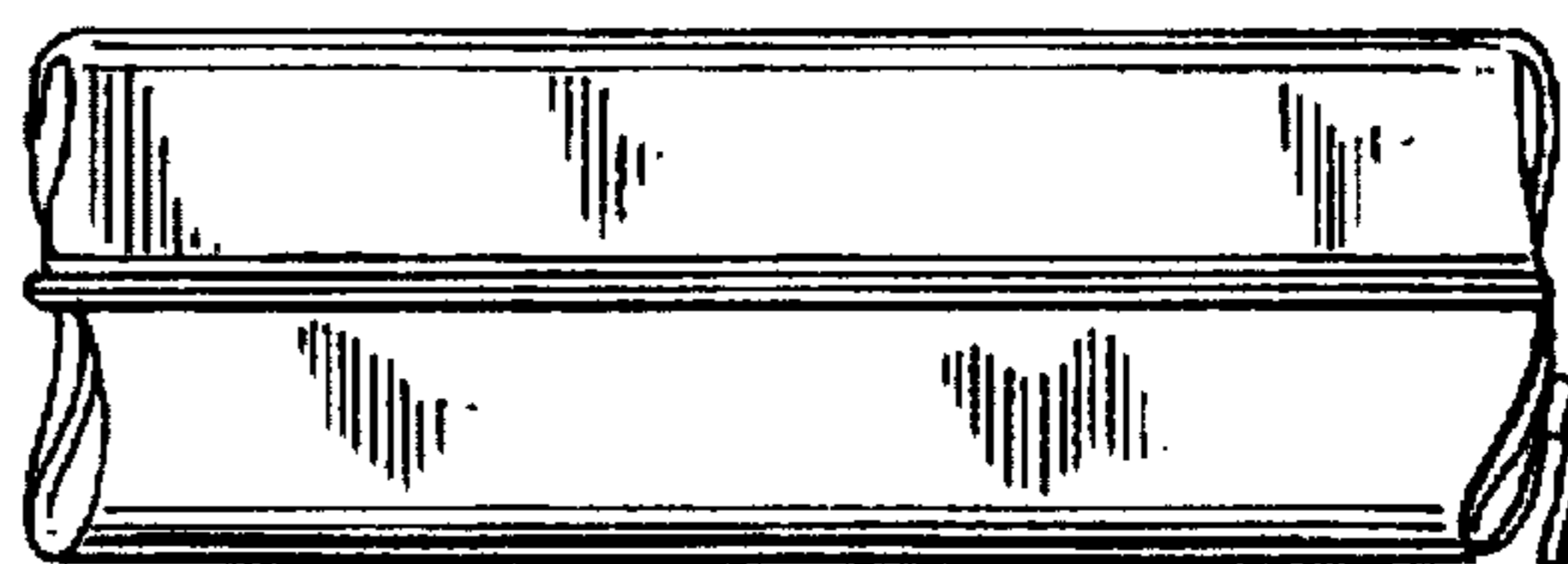


FIG. 4

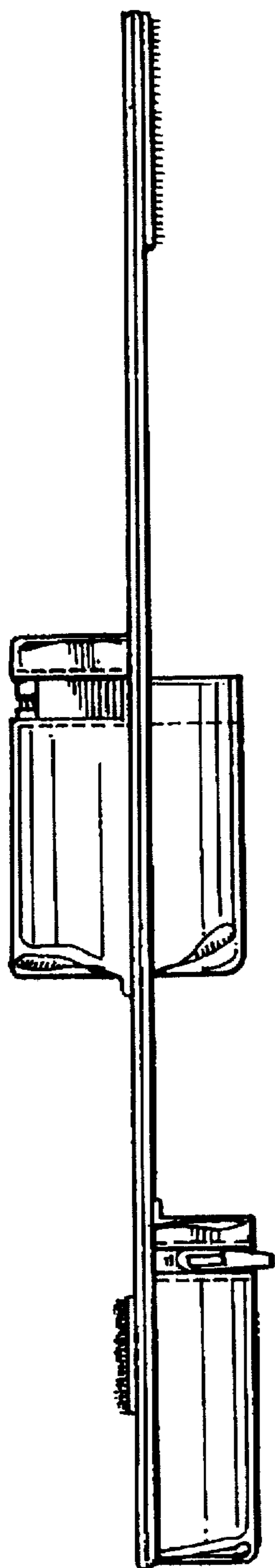


FIG. 5

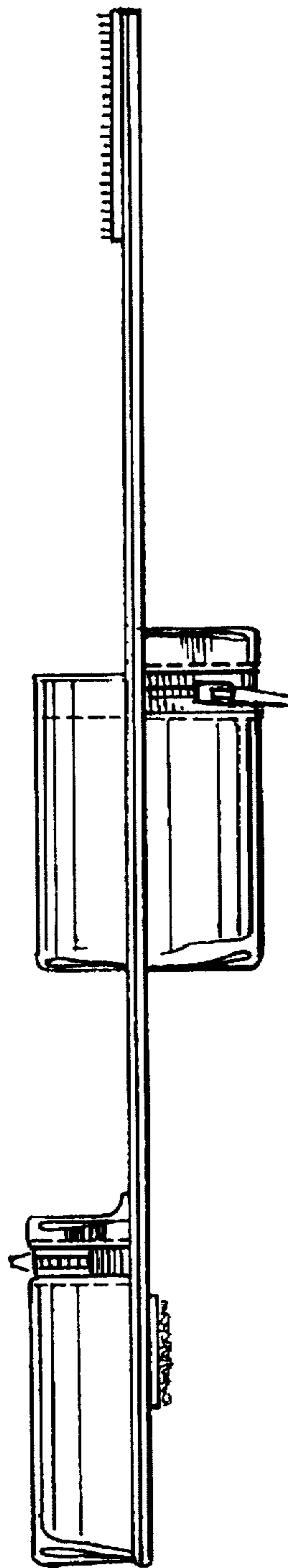


FIG. 6

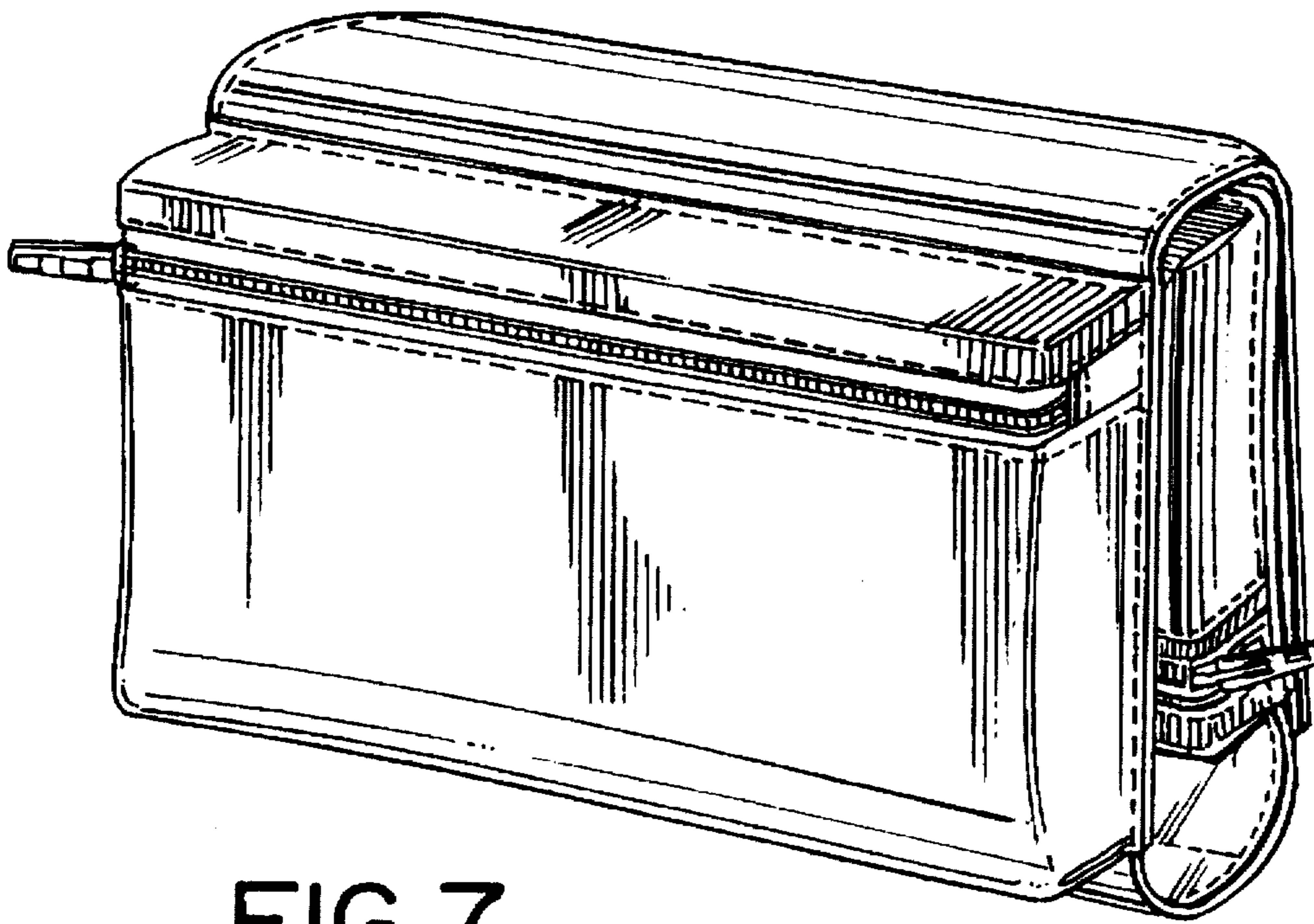


FIG. 7

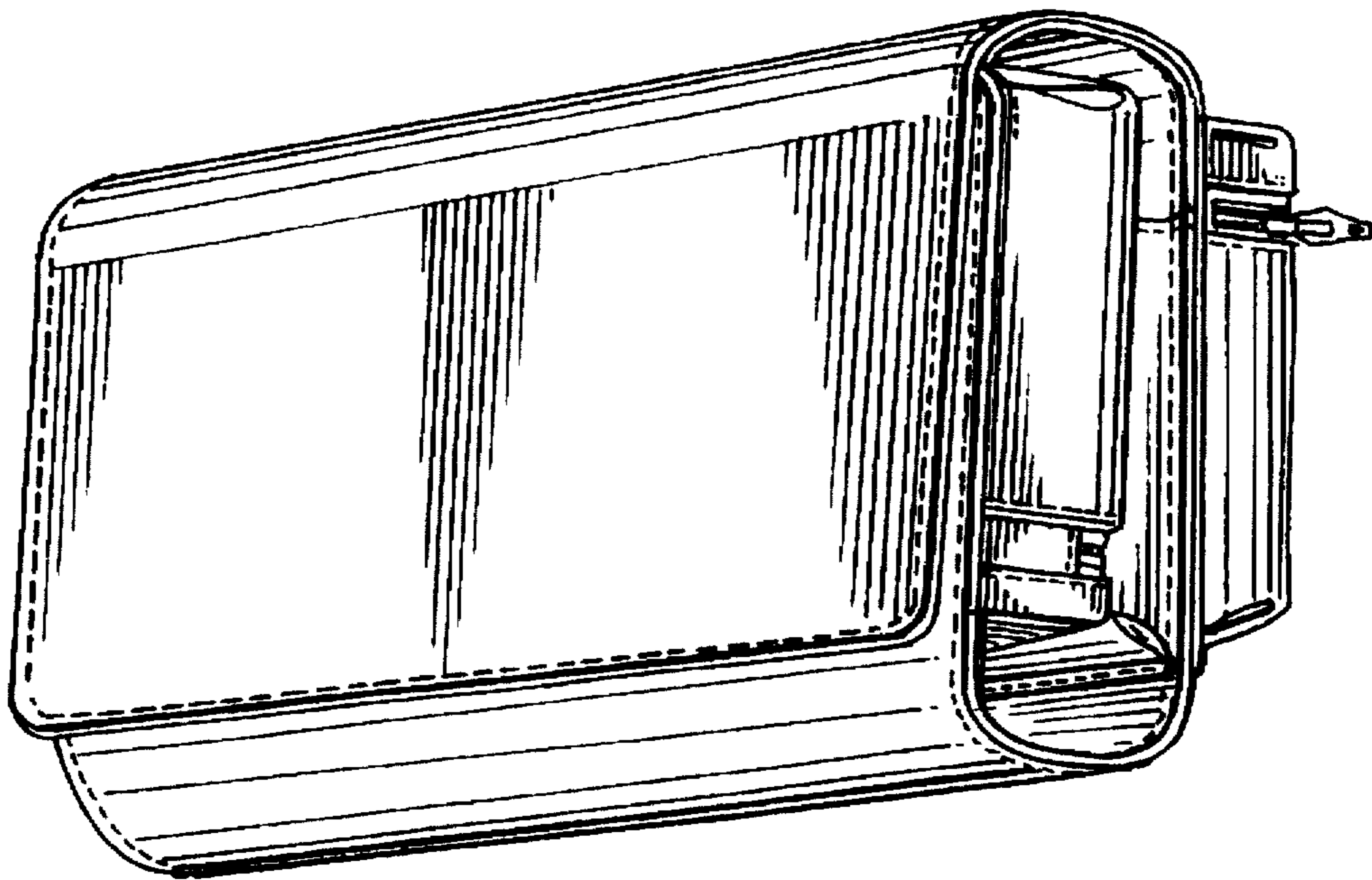


FIG. 8