

US00D387904S

United States Patent [19]

McEntee

[11] Patent Number: **Des. 387,904**

[45] Date of Patent: ****Dec. 23, 1997**

[54] **CRAFT BOX**

[75] Inventor: **Kathryn M. McEntee**, Washington, N.C.

[73] Assignee: **Tucker Housewares**, Leominster, Mass.

[**] Term: **14 Years**

[21] Appl. No.: **50,247**

[22] Filed: **Feb. 12, 1996**

[51] LOC (6) Cl. **03-01**

[52] U.S. Cl. **D3/273; D9/425**

[58] Field of Search **D3/273, 294, 272; D9/425, 420, 424; 220/334, 335, 337, 339; 206/425, 309, 216, 223, 349**

[56] **References Cited**

U.S. PATENT DOCUMENTS

D. 285,906	9/1986	Tyler	D9/425
D. 308,340	6/1990	Ilse et al.	D9/425
D. 311,334	10/1990	Flynn et al.	D9/424
D. 315,870	4/1991	Perdue, Jr. et al.	D9/420
D. 330,161	10/1992	Schuh	D9/425

D. 351,090	10/1994	Narsutis	D9/425
4,917,261	4/1990	Borst	220/339
4,971,220	11/1990	Kaufman et al.	220/339
5,353,946	10/1994	Behrend	220/339
5,366,104	11/1994	Armstrong	220/339

Primary Examiner—Philip S. Hyder
Attorney, Agent, or Firm—Chadbourne & Parke LLP

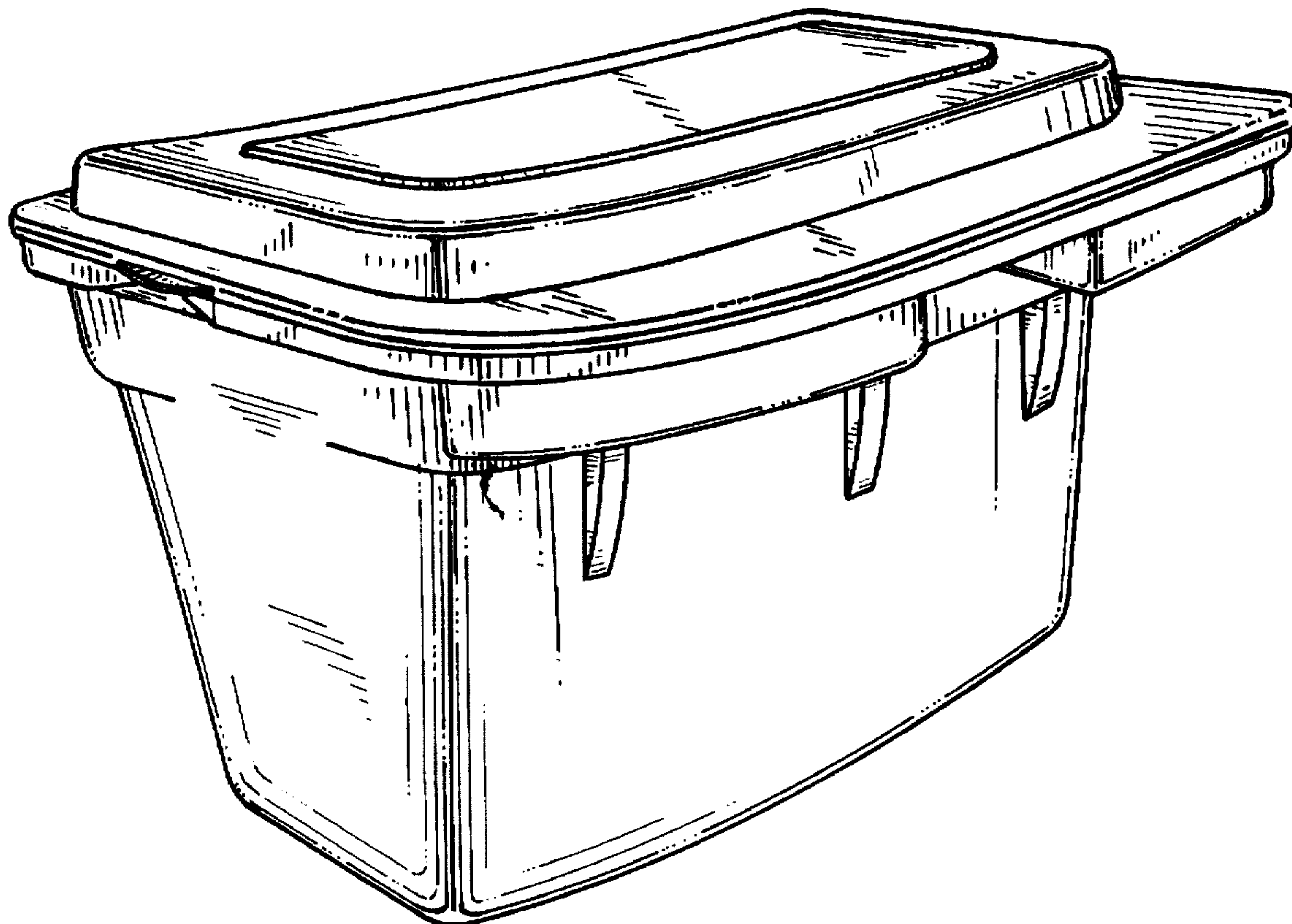
[57] **CLAIM**

The ornamental design for a craft box, as shown and described.

DESCRIPTION

FIG. 1 is a left top perspective view of the craft box; FIG. 2 is a left bottom perspective view thereof; FIG. 3 is a front elevational view thereof; FIG. 4 is a left side elevational view thereof, the right side elevational view being the mirror image of the left side elevational view; FIG. 5 is a top plan view thereof; FIG. 6 is a rear elevational view thereof; and, FIG. 7 is a bottom plan view thereof.

1 Claim, 7 Drawing Sheets



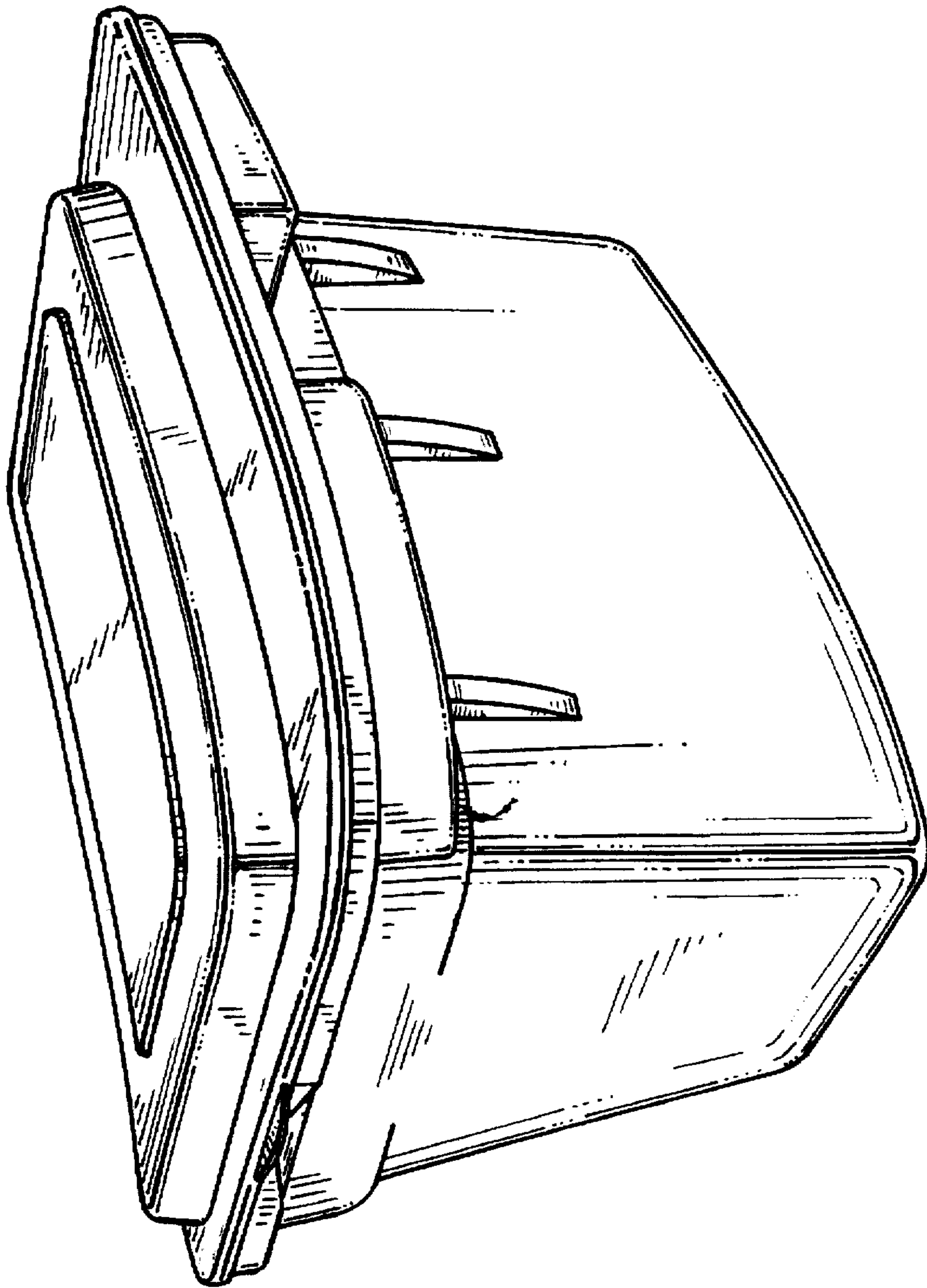


FIG. 1

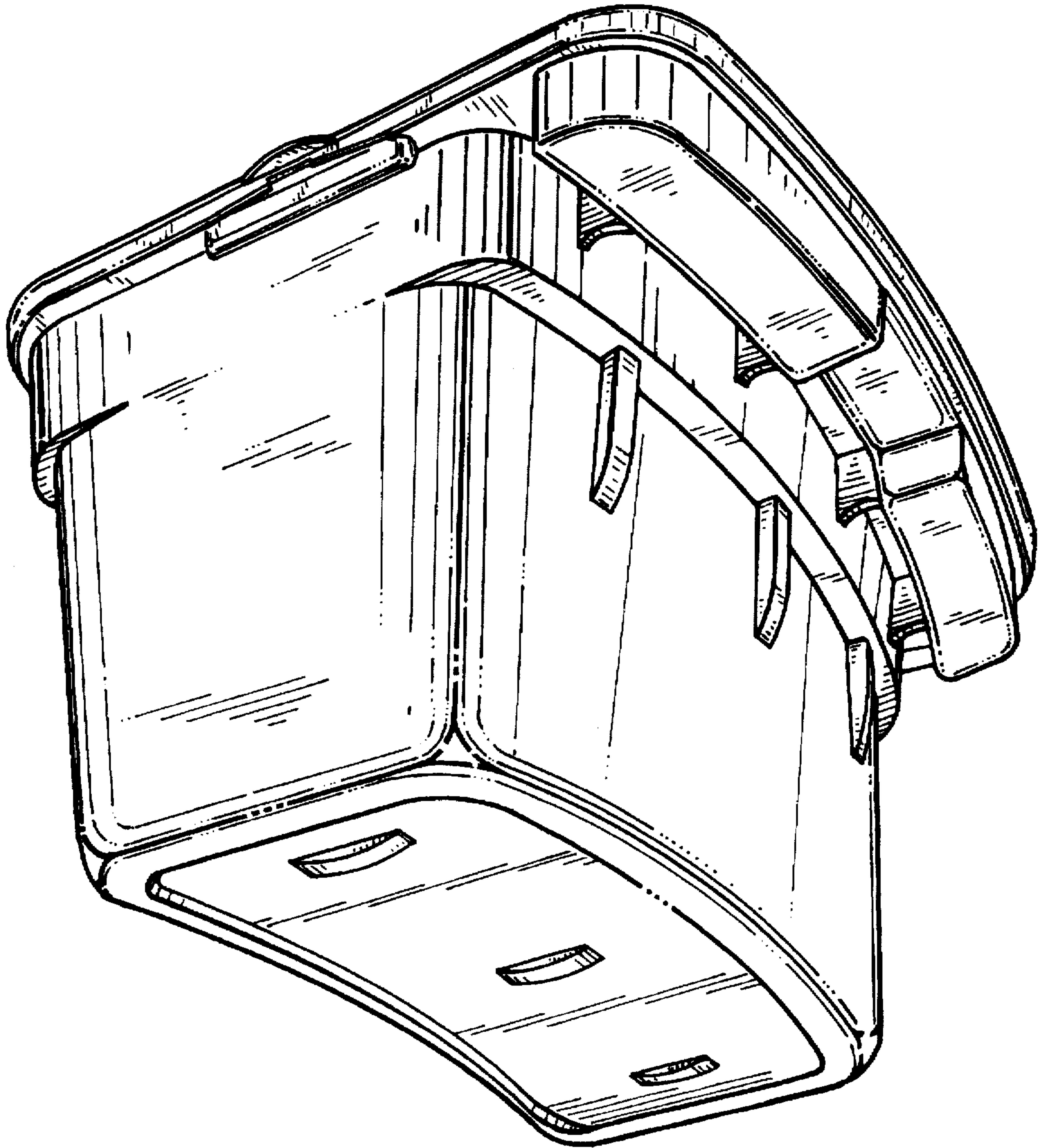


FIG. 2

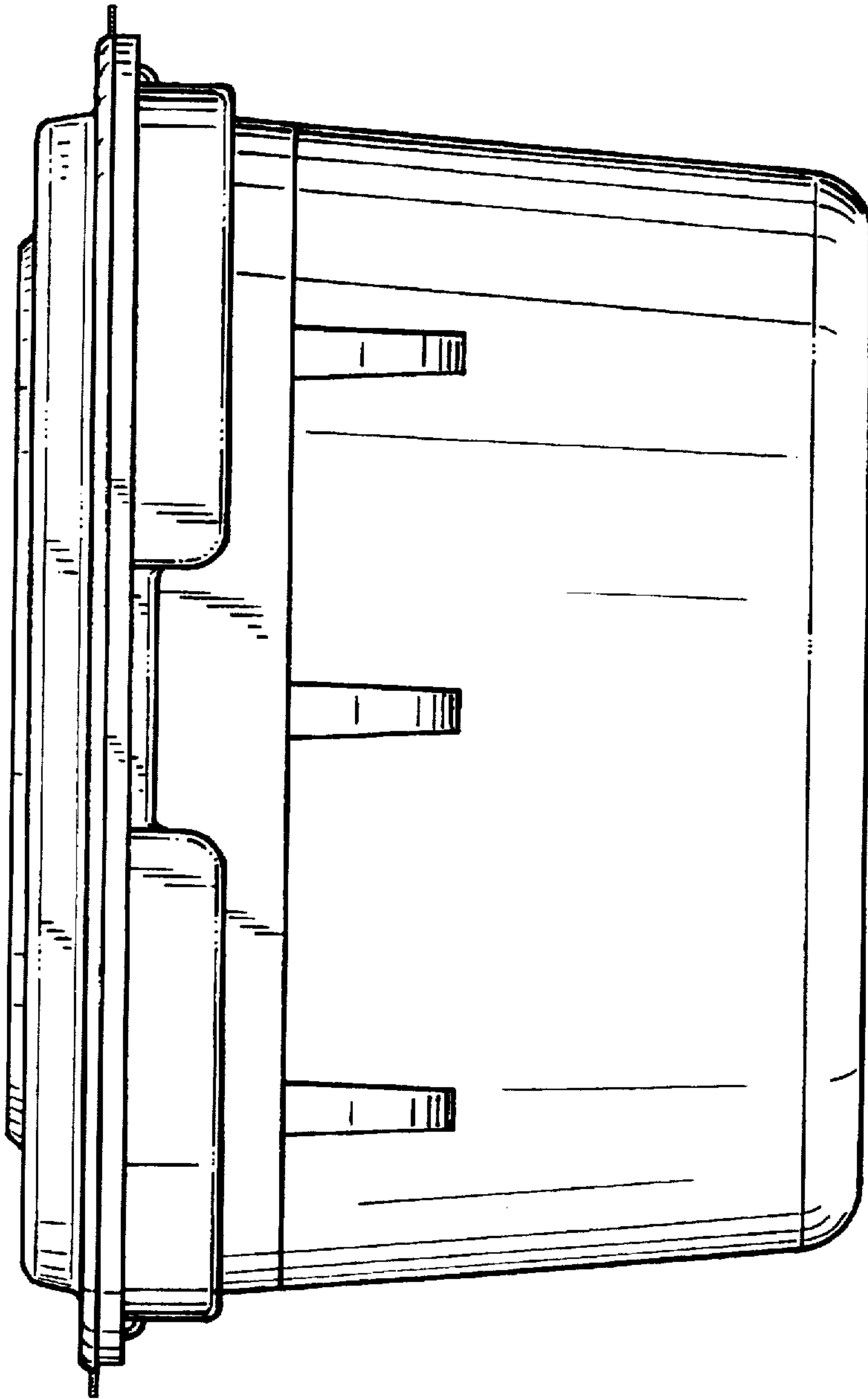


FIG. 3

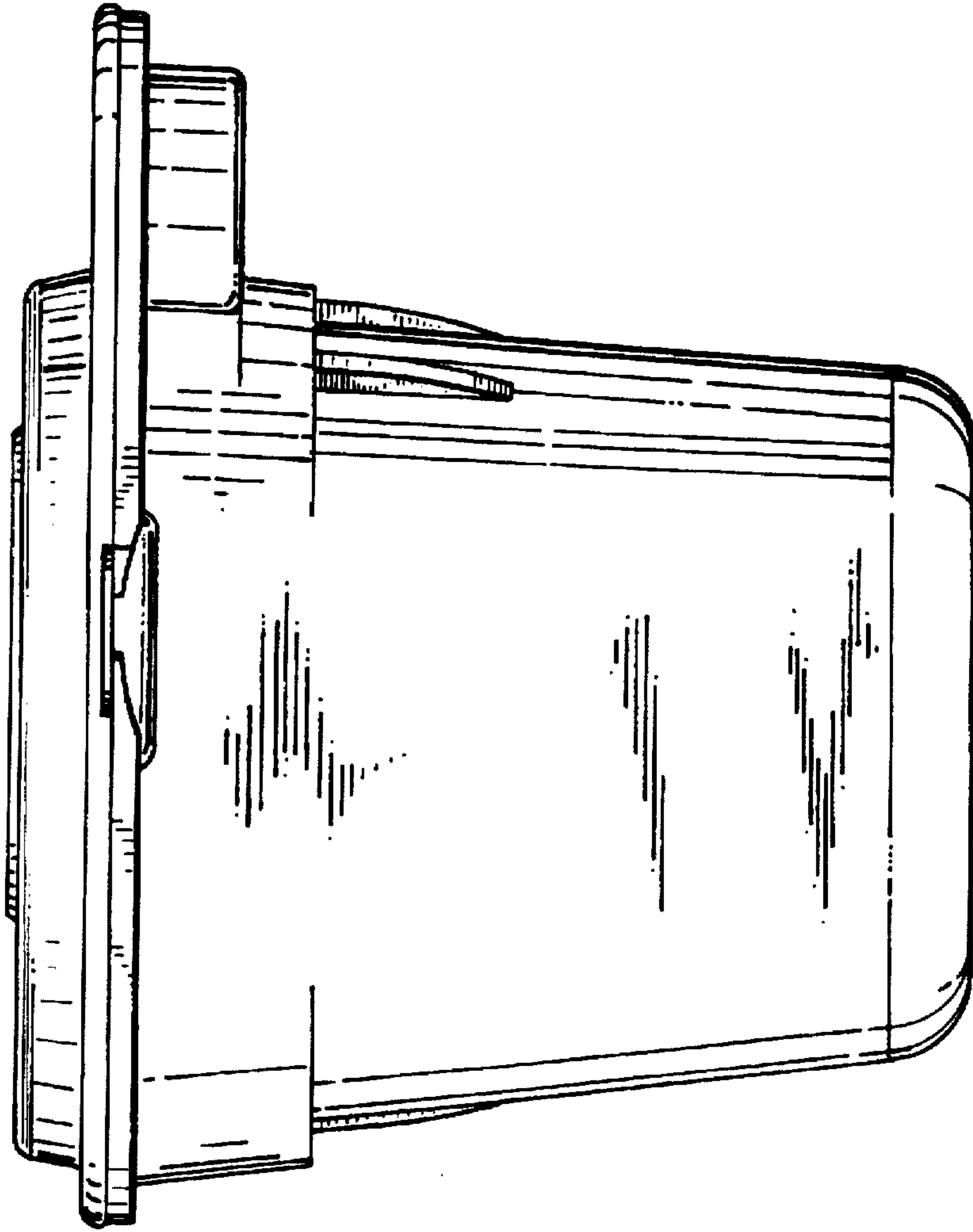


FIG. 4

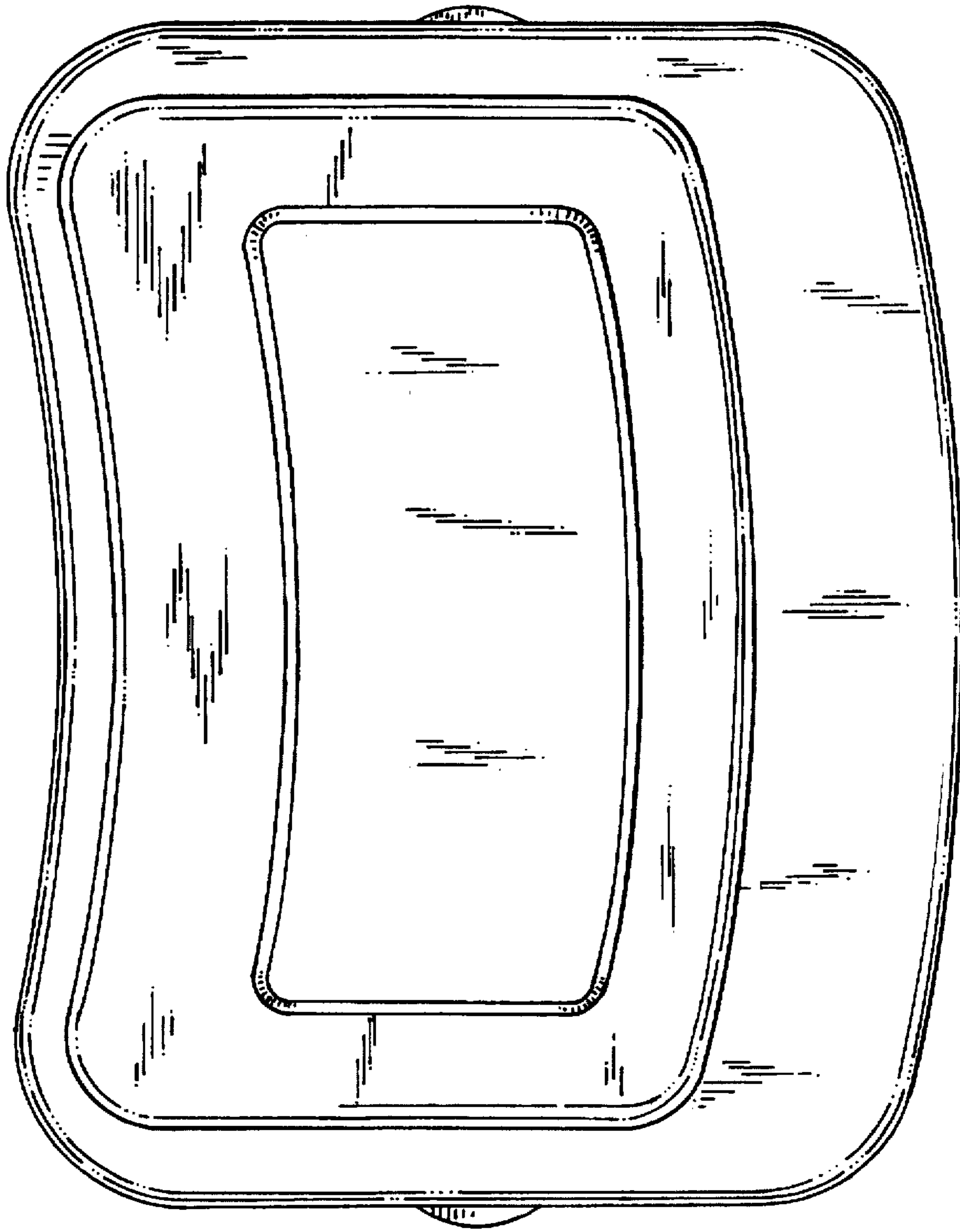


FIG. 5

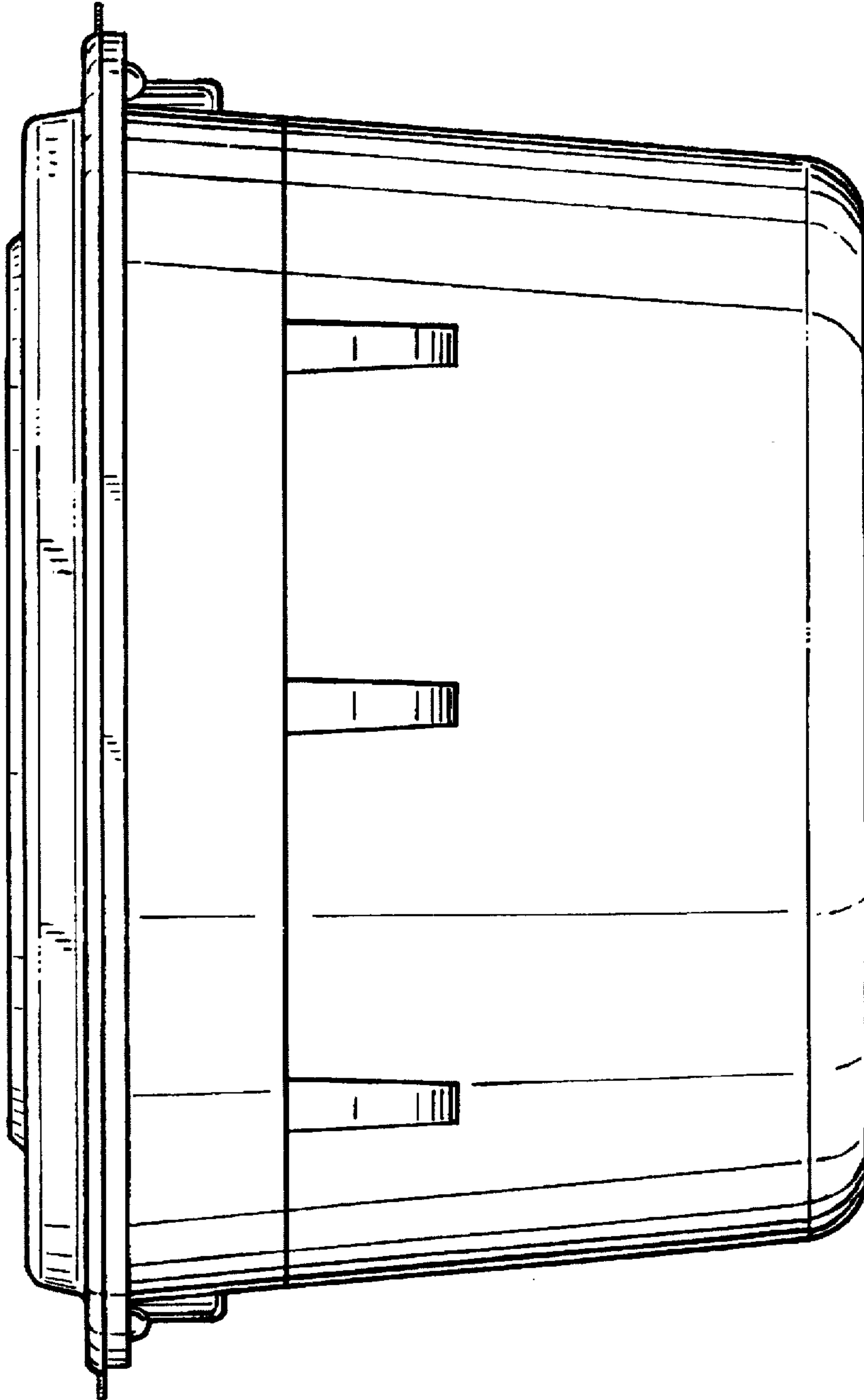


FIG. 6

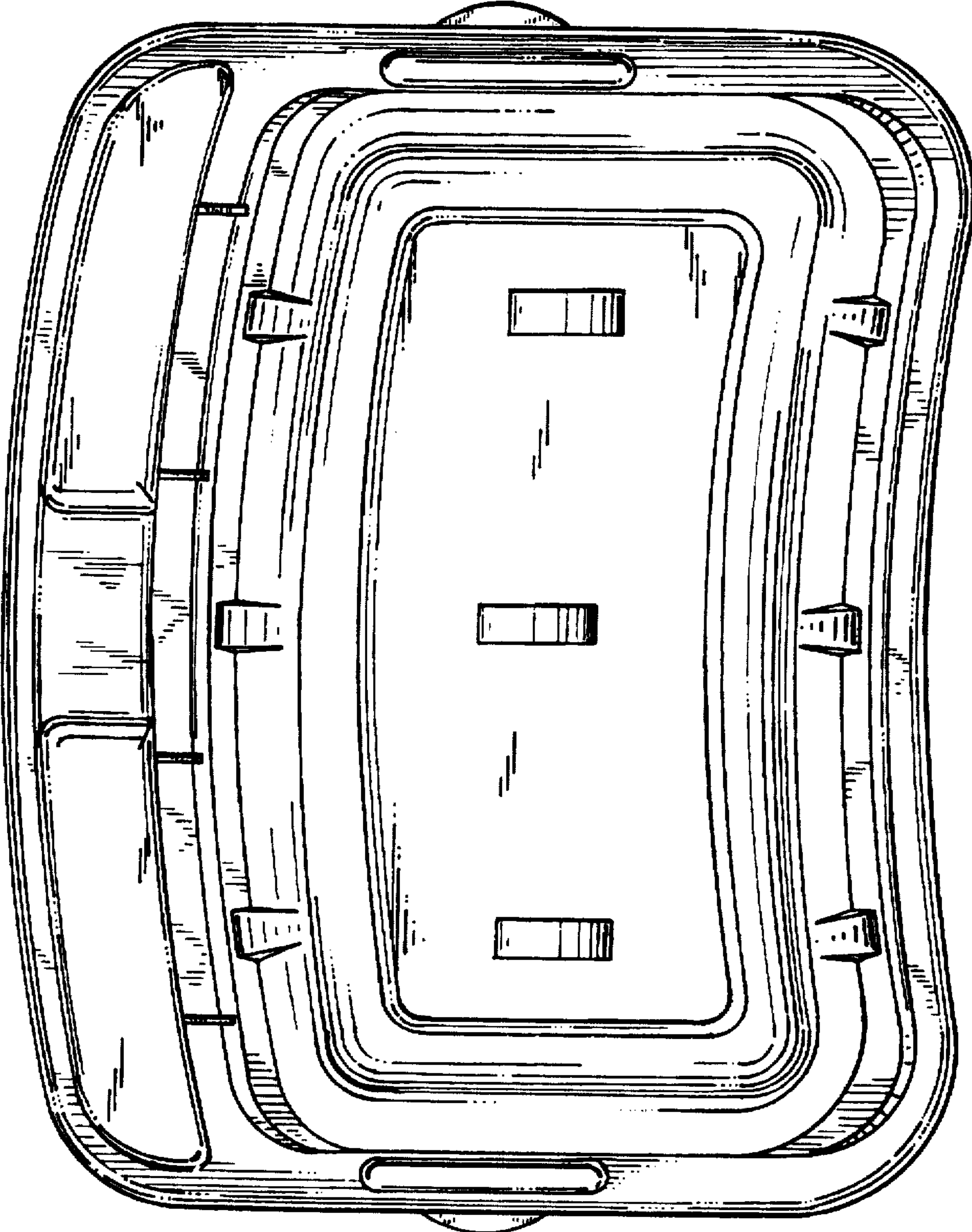


FIG. 7