



US00D387900S

United States Patent [19]
D'Agostino

[11] **Patent Number: Des. 387,900**
[45] **Date of Patent: **Dec. 23, 1997**

[54] **CLIP ON GOLF BALL HOLDER**

4,256,244 3/1981 Gasper 224/919 X
5,553,707 9/1996 Lion 206/315.9

[75] Inventor: **Victor D'Agostino, Northbrook, Ill.**

[73] Assignee: **PFT Enterprises, Inc., Vernon Hills, Ill.**

[**] Term: **14 Years**

Primary Examiner—Doris V. Coles
Assistant Examiner—Catherine R. Oliver
Attorney, Agent, or Firm—Knechtel, Demeur & Samlan

[21] Appl. No.: **58,849**

[22] Filed: **Aug. 26, 1996**

[51] **LOC (6) Cl. 03-01**

[52] **U.S. Cl. D3/221**

[58] **Field of Search D3/221, 257, 224;
D21/204, 206, 208, 234; 224/919; 206/315.9**

[57] **CLAIM**

The ornamental design for a clip on golf ball holder, as shown and described.

DESCRIPTION

FIG. 1 is a perspective view of a "clip-on golf ball holder" showing my new design;
FIG. 2 is a front elevational view thereof;
FIG. 3 is a top plan view thereof;
FIG. 4 is a bottom plan view thereof;
FIG. 5 is a right side elevational view, the left side view being a mirror image thereof; and,
FIG. 6 is a rear view thereof.

[56] **References Cited**

U.S. PATENT DOCUMENTS

D. 360,974 8/1995 Stalling D3/221
D. 370,340 6/1996 Berger D3/221
2,757,698 8/1956 Goodman 224/919 X

1 Claim, 2 Drawing Sheets

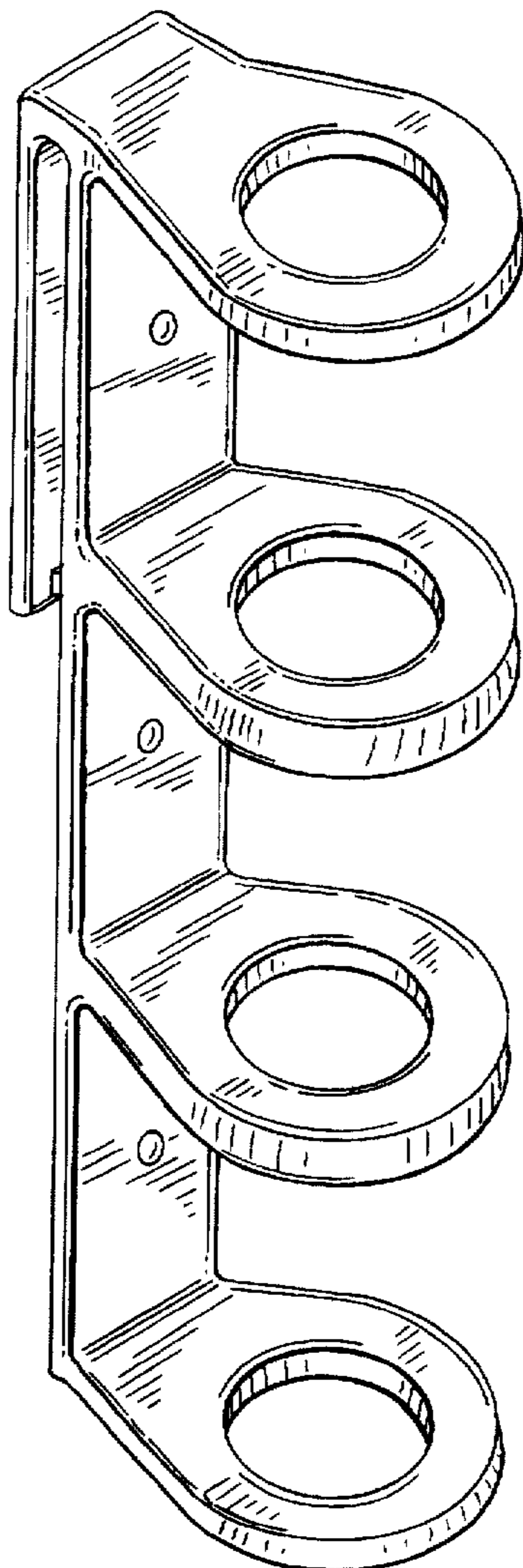


FIG. 1

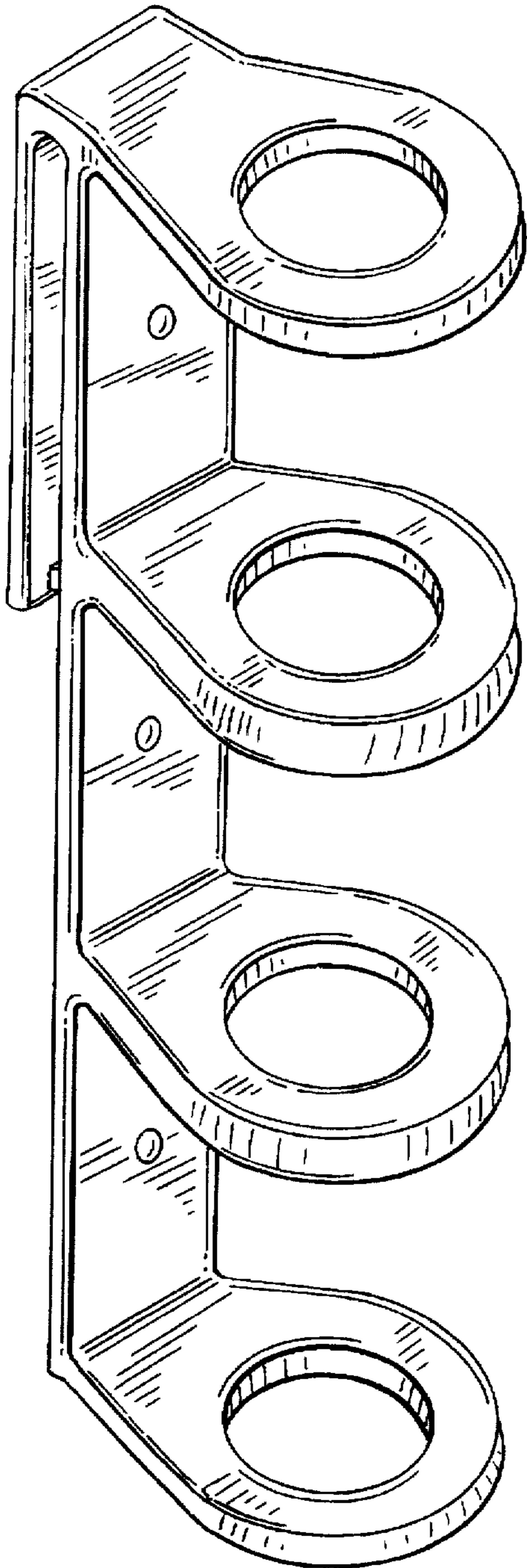


FIG. 2

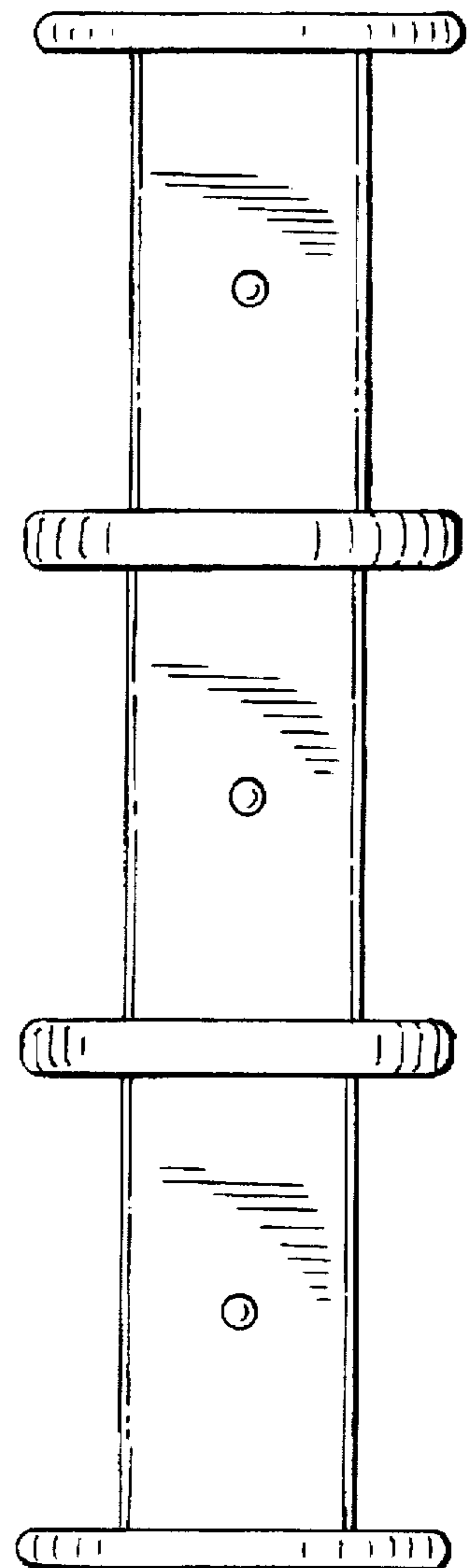


FIG. 3

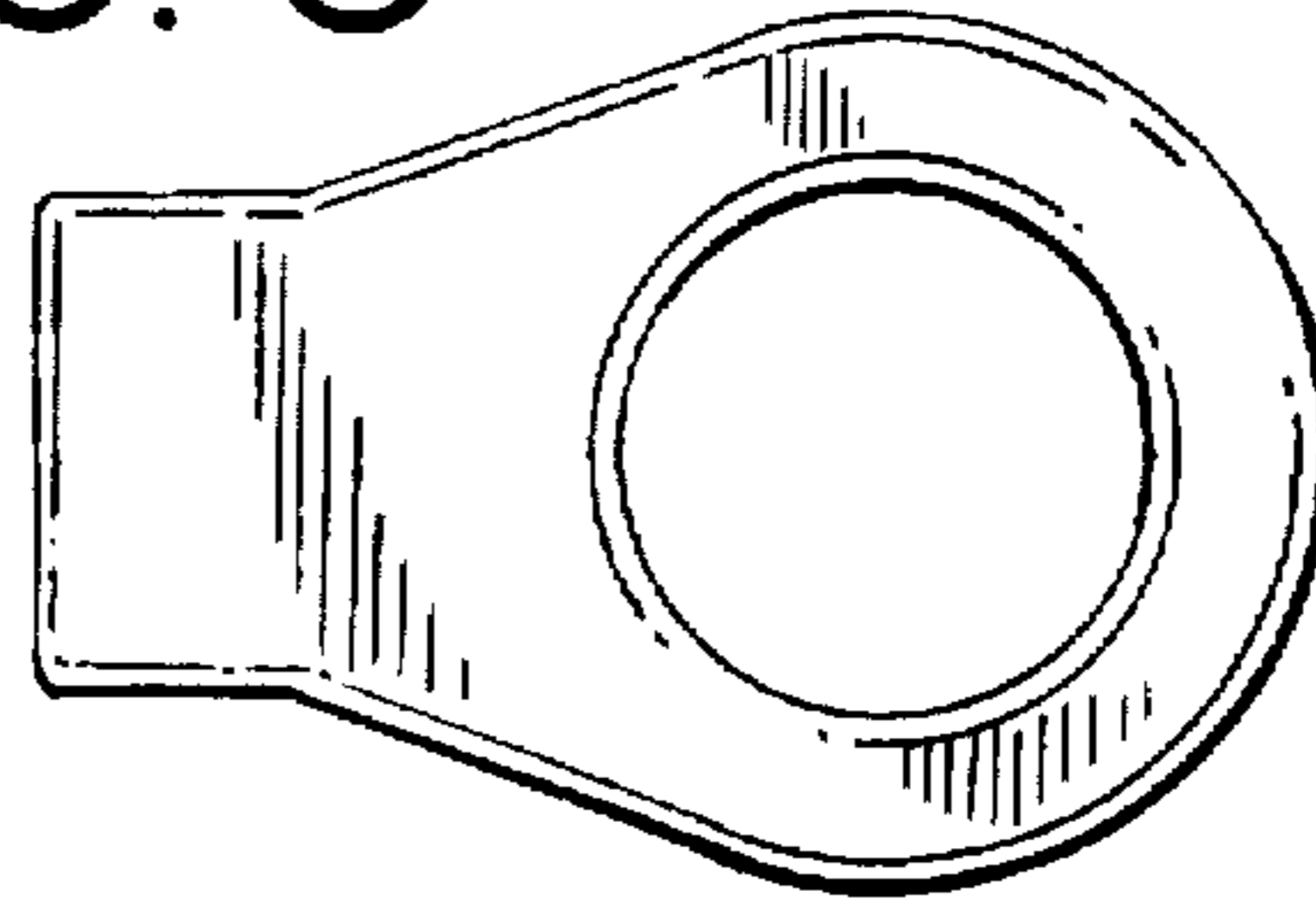


FIG. 6

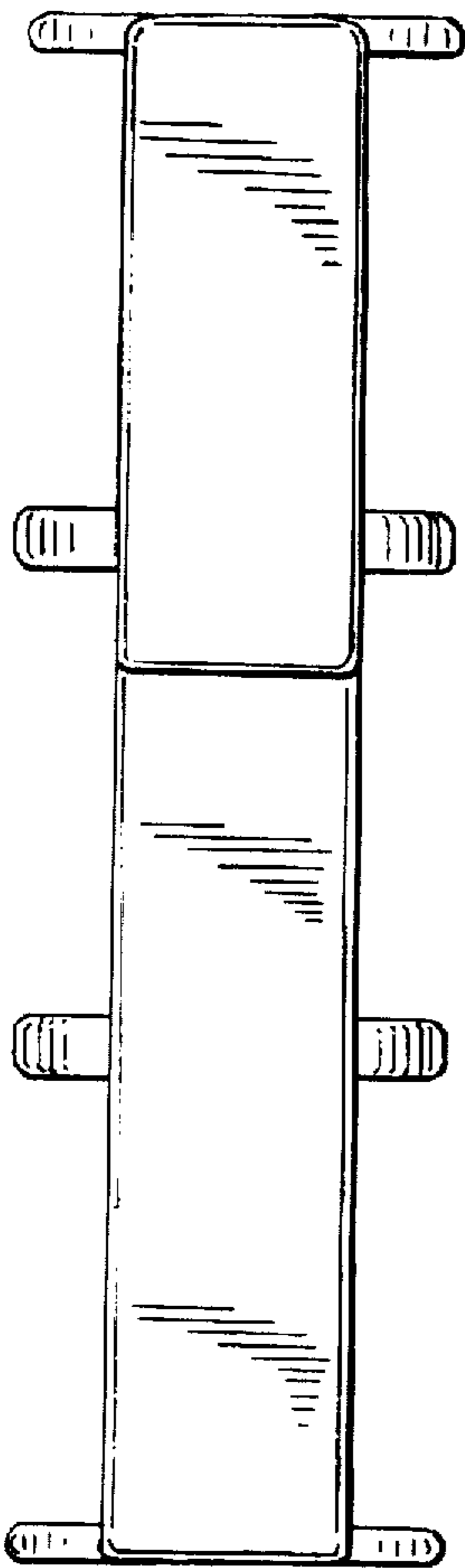


FIG. 5

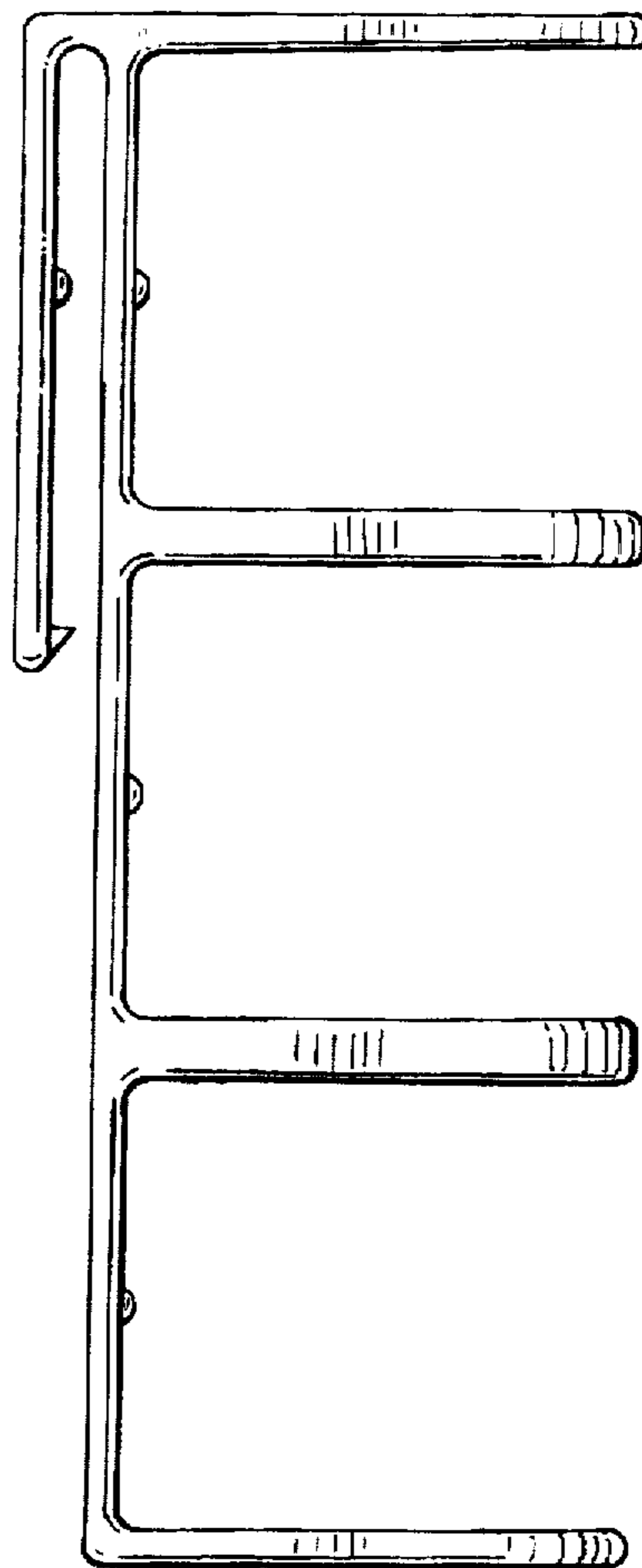


FIG. 4

