



US00D387898S

# United States Patent [19] Ronzani

[11] Patent Number: **Des. 387,898**

[45] Date of Patent: **\*\*Dec. 23, 1997**

[54] **BODY WORN PORTABLE BATTERY CONTAINER**

2,625,192 1/1953 Kinskie ..... 224/902 X  
3,274,476 9/1966 Wildum ..... 224/902 X

[75] Inventor: **Peter A. Ronzani**, Los Gatos, Calif.

*Primary Examiner*—Doris V. Coles  
*Assistant Examiner*—Catherine R. Oliver  
*Attorney, Agent, or Firm*—James J. Ralabate

[73] Assignee: **Xybernaut Corporation**, Fairfax, Va.

[\*\*] Term: **14 Years**

[57] **CLAIM**

[21] Appl. No.: **60,424**

The ornamental design for a body-worn, portable battery container, as shown and described.

[22] Filed: **Sep. 27, 1996**

**DESCRIPTION**

[51] LOC (6) Cl. .... **03-01**

[52] U.S. Cl. .... **D3/215; D3/228**

[58] Field of Search ..... **D3/215, 228, 226; 224/163, 195, 240, 902**

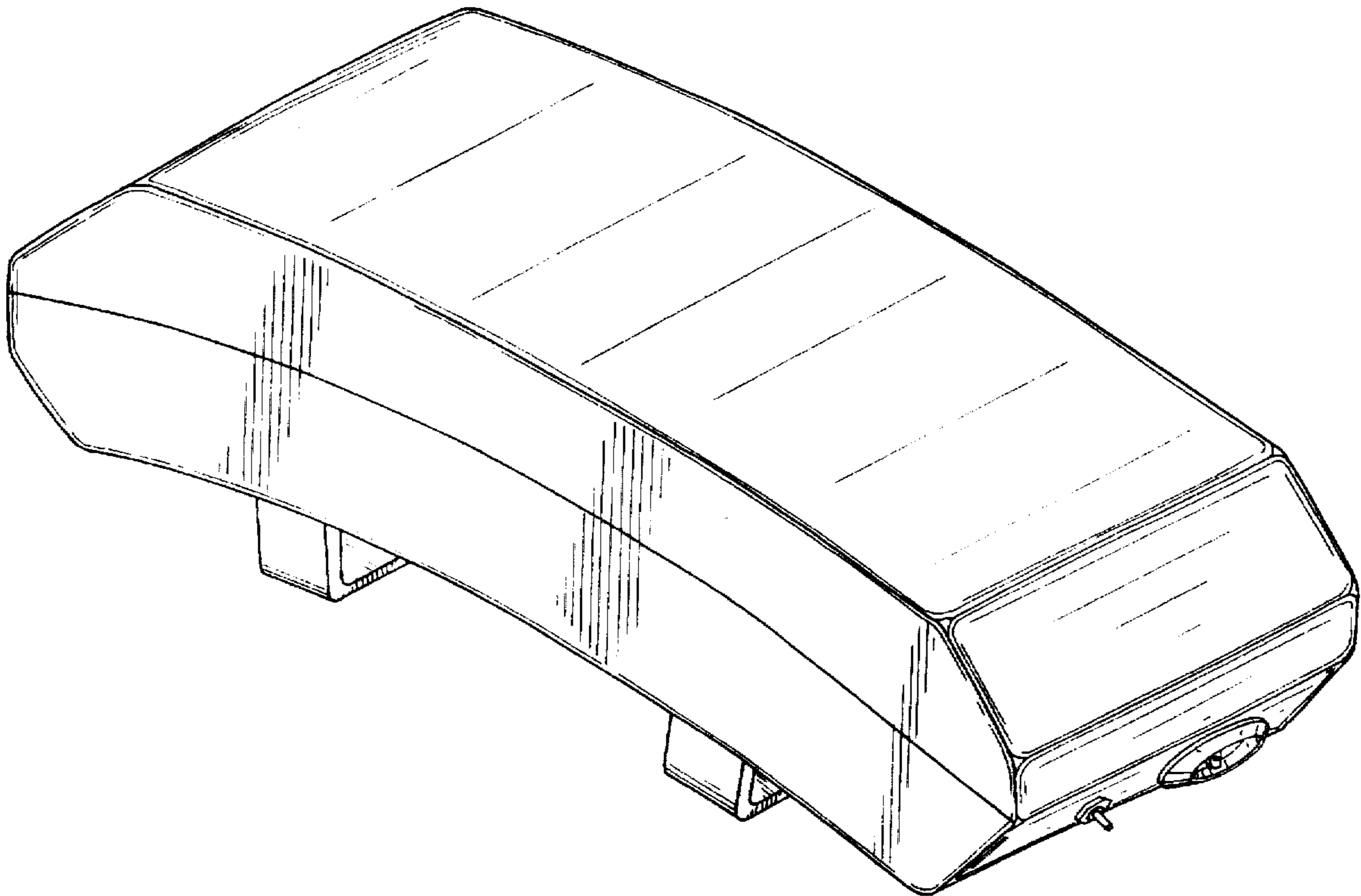
FIG. 1 is a side perspective view of the body-worn, portable battery container showing my new design;  
FIG. 2 is a bottom perspective view thereof;  
FIG. 3 is a top plan view thereof;  
FIG. 4 is a bottom plan view thereof;  
FIG. 5 is a front elevational view thereof;  
FIG. 6 is a rear elevational view thereof; and,  
FIG. 7 is a side view with the opposite side being a mirror image thereof.

[56] **References Cited**

**U.S. PATENT DOCUMENTS**

D. 279,424 7/1985 Leiserson et al. .... D3/226  
1,779,207 10/1930 Candar ..... 224/902 X  
2,304,367 12/1942 Meyer et al. .... 224/902 X

**1 Claim, 6 Drawing Sheets**



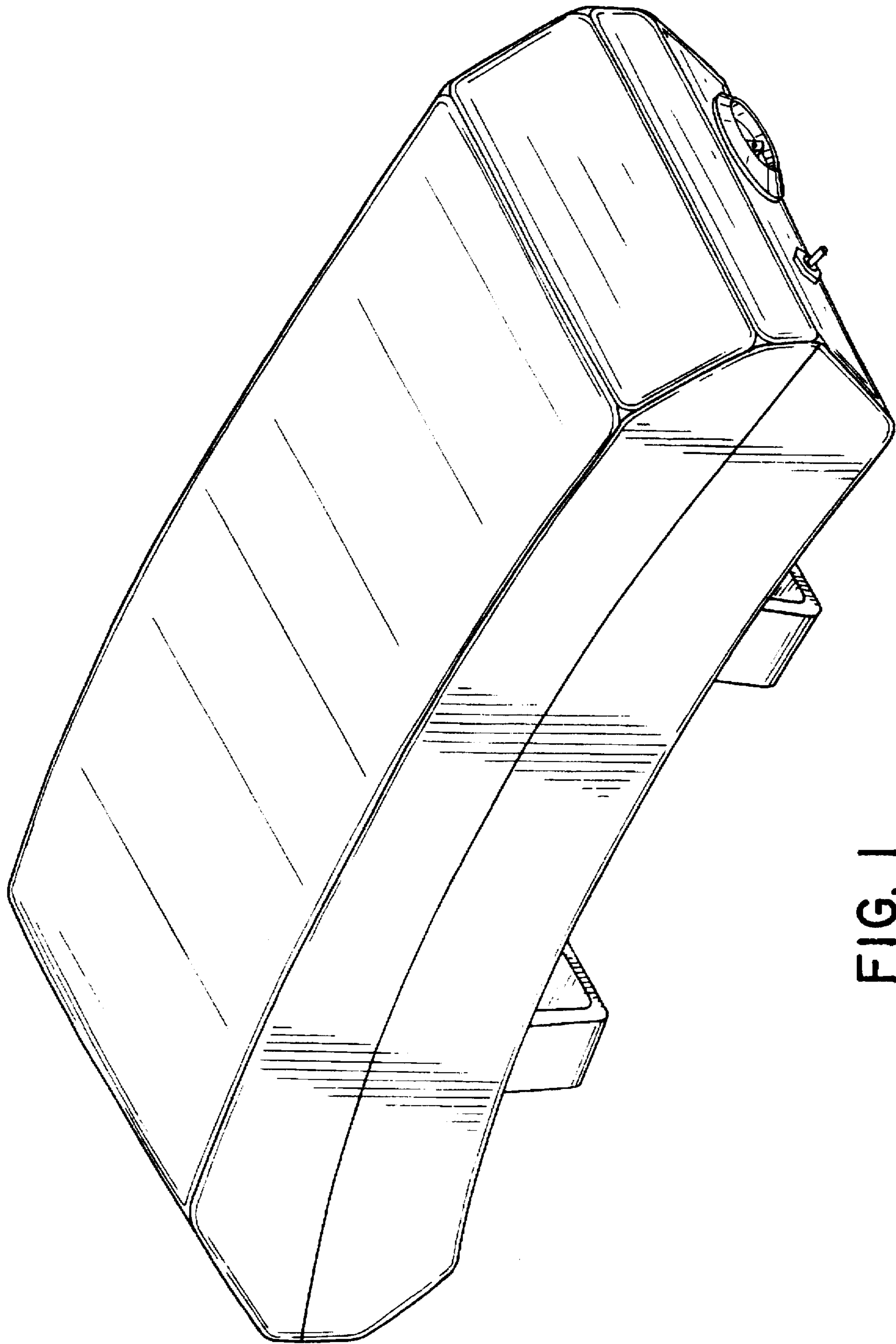


FIG. 1

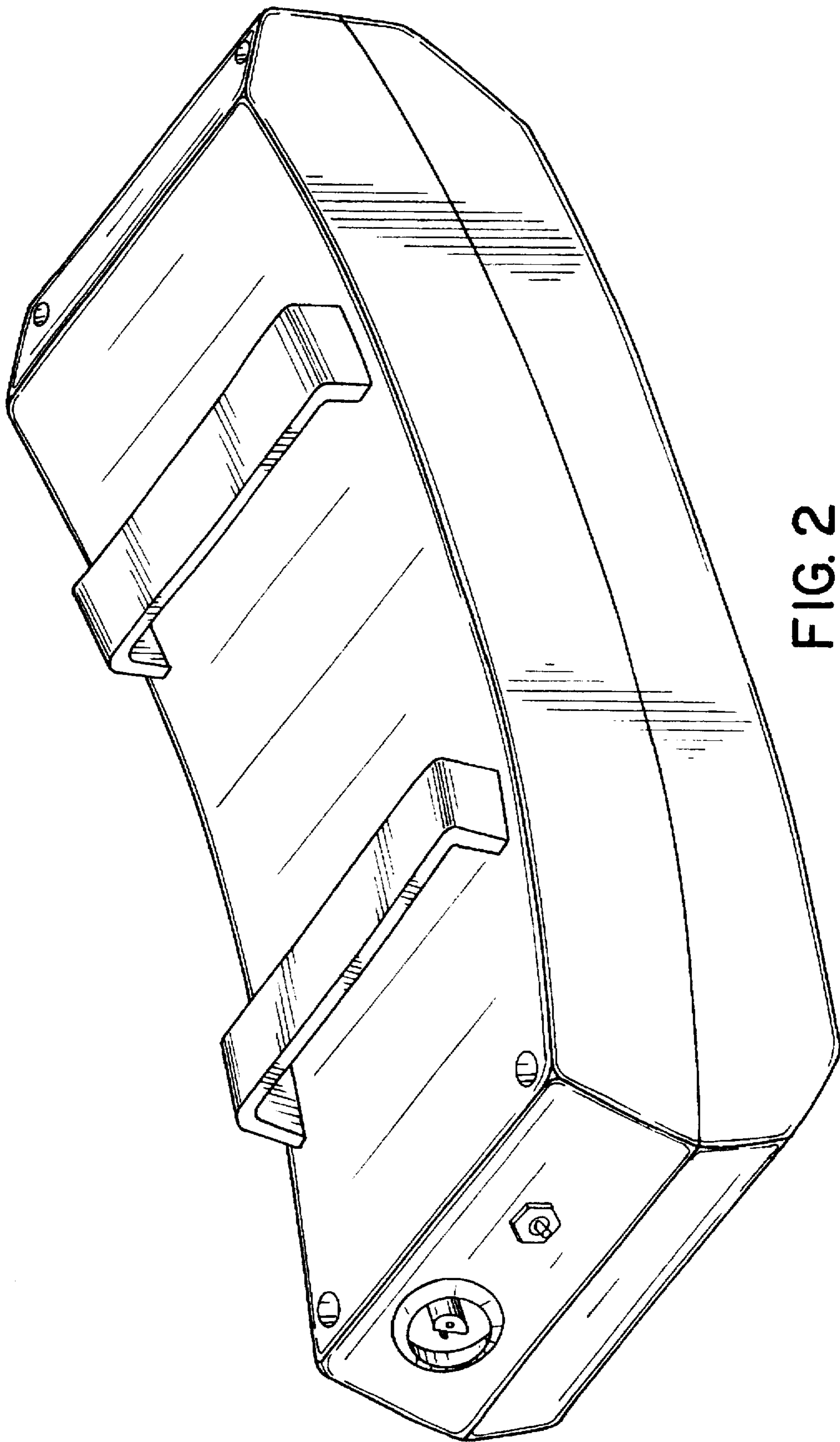


FIG. 2

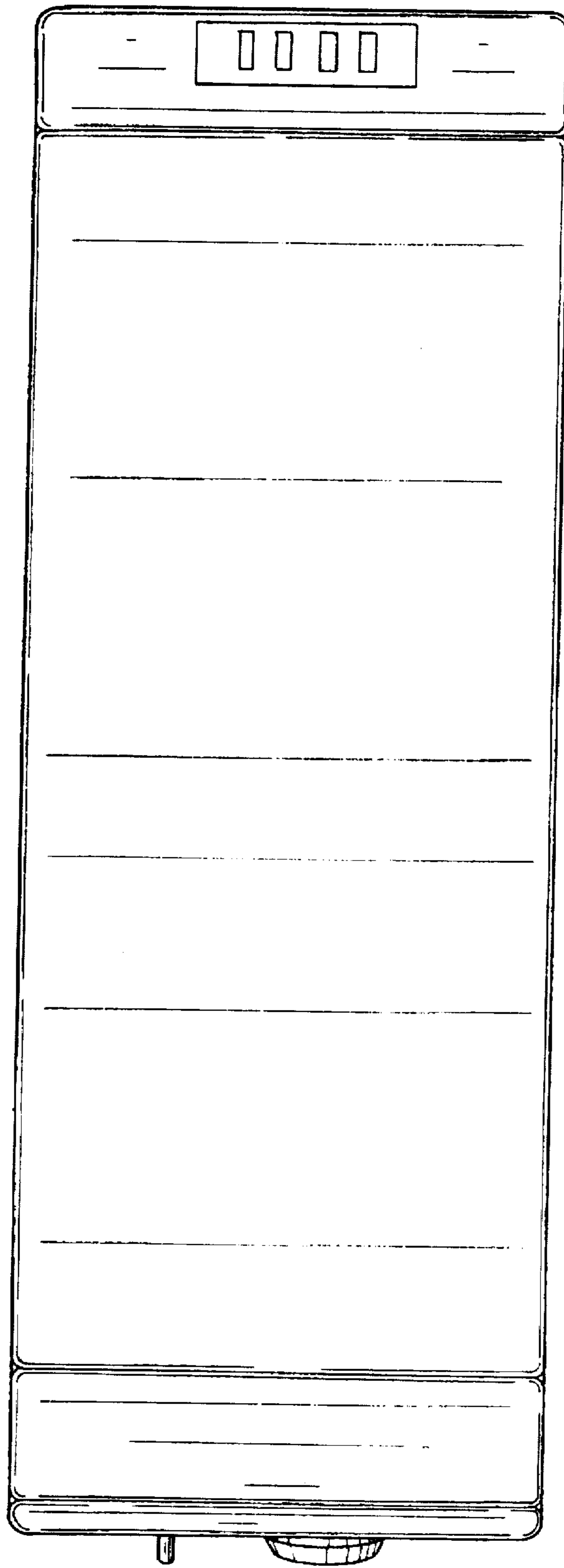


FIG. 3

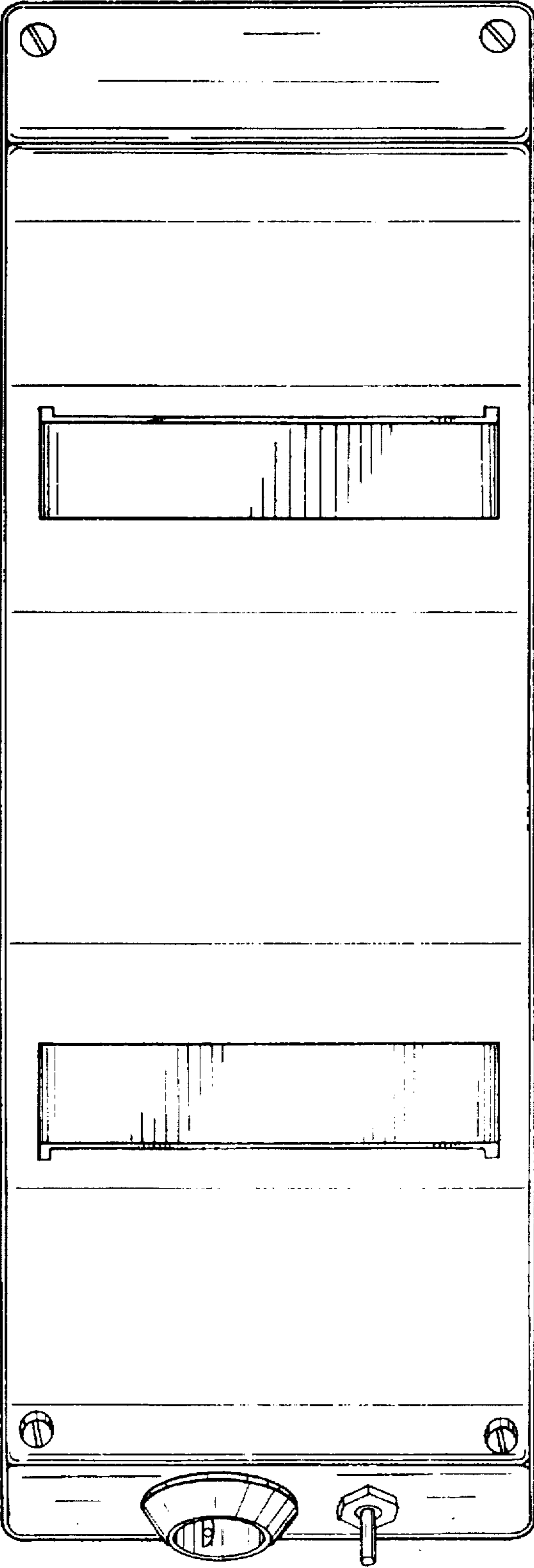


FIG. 4

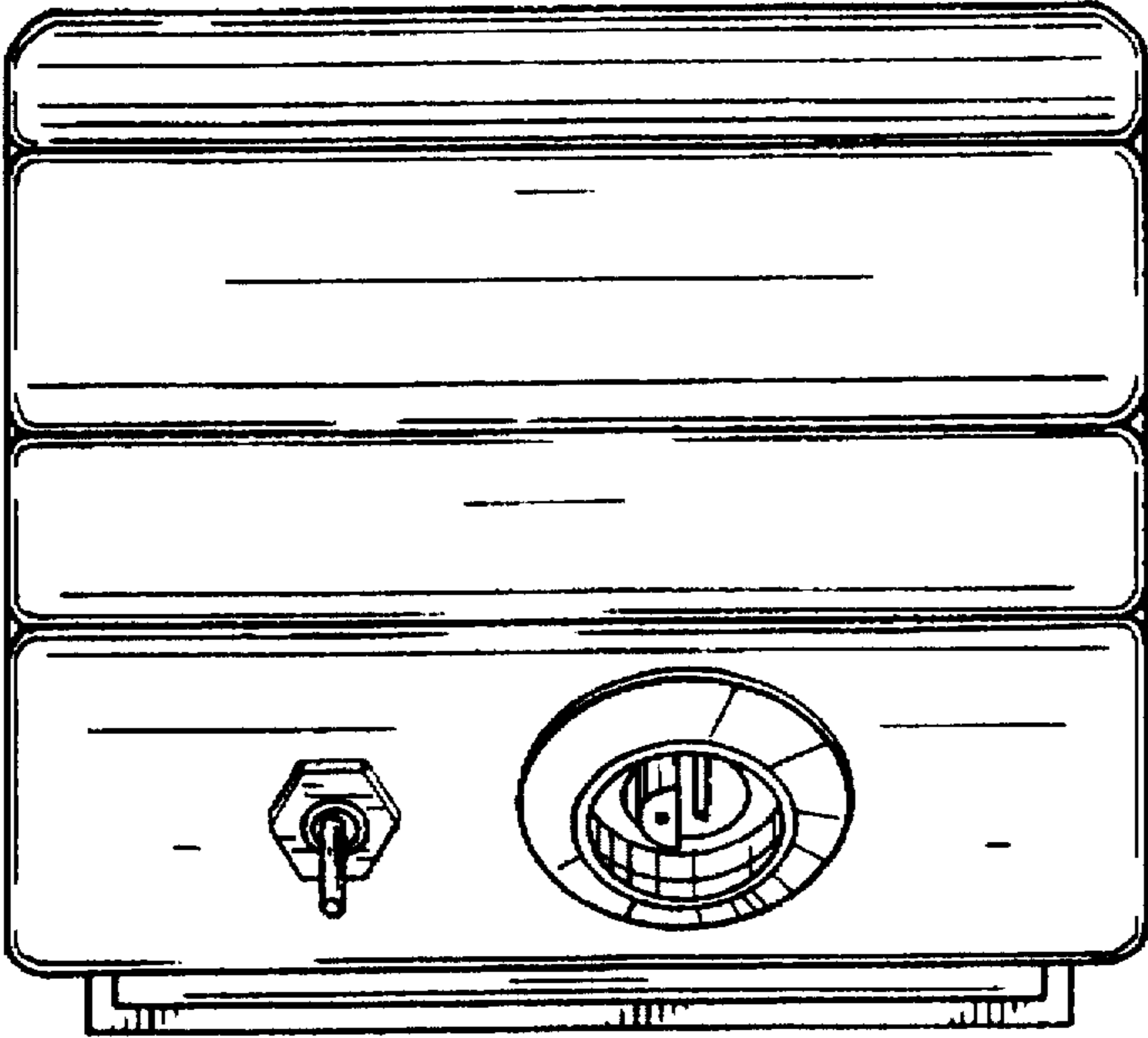


FIG. 5

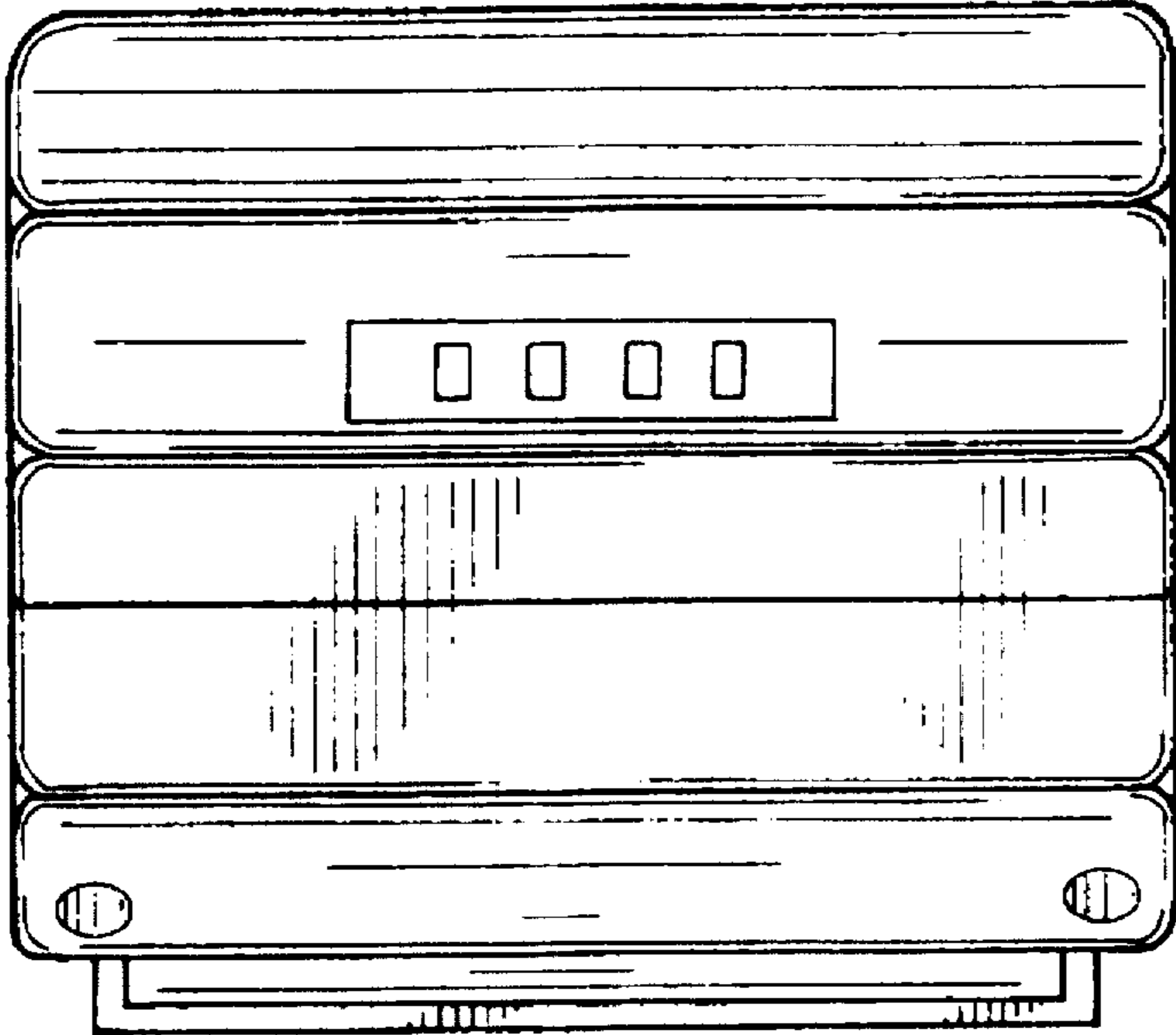


FIG. 6

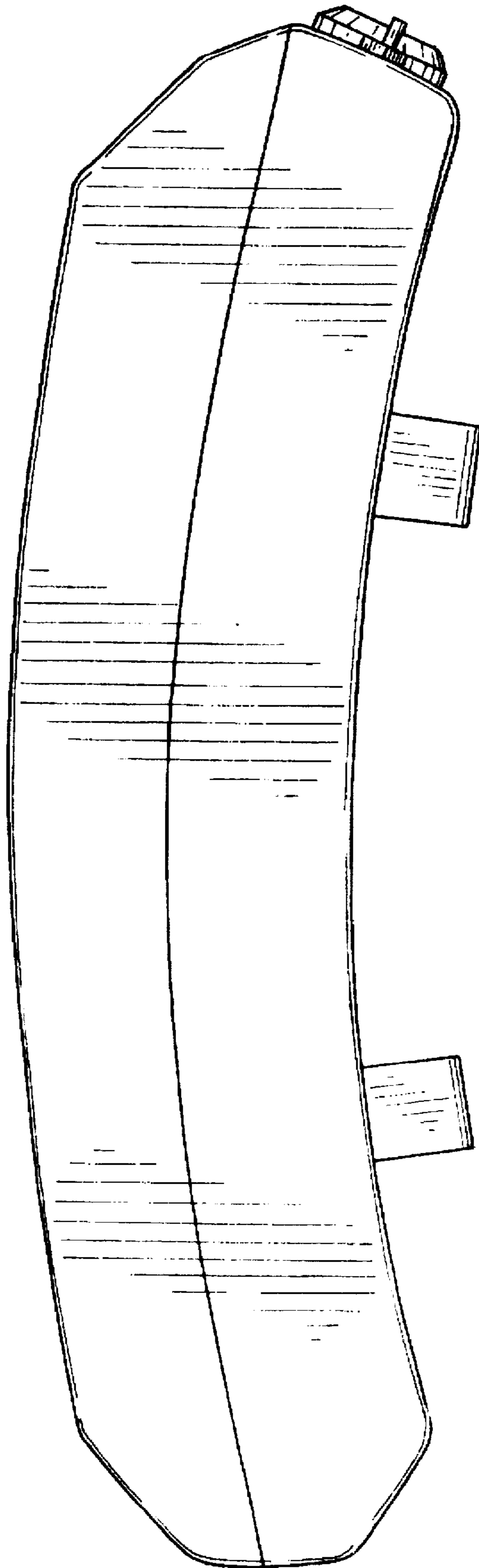


FIG. 7