



US00D387884S

United States Patent [19]

[11] Patent Number: **Des. 387,884**

Mackay

[45] Date of Patent: ****Dec. 16, 1997**

[54] **GROUND SUPPORTED STANDARD FOR GARDEN LIGHTING TRANSFORMER**

1,849,898	3/1932	Wright	248/158 X
2,554,887	5/1951	Tricarico	248/156 X
3,178,142	4/1965	Koch	248/156 X
3,599,917	8/1971	Schwartz	248/158 X
5,065,975	11/1991	Giles	248/156 X
5,390,884	2/1995	Skoff et al.	248/156

[76] Inventor: **Iain N. B. Mackay**, R.R. #2, Beeton, Ontario L0G 1A0, Canada

[**] Term: **14 Years**

Primary Examiner—Holly Baynham
Attorney, Agent, or Firm—Trevor C. Klotz

[21] Appl. No.: **48,106**

[57] **CLAIM**

[22] Filed: **Dec. 20, 1995**

The ornamental design for a ground supported standard for garden lighting transformer, as shown and described.

[30] **Foreign Application Priority Data**

DESCRIPTION

Jun. 21, 1995 [CA] Canada 1995-1376

[51] LOC (6) Cl. **26-03**

FIG. 1 is a perspective view;
FIG. 2 is a top plan view;
FIG. 3 is a front elevational view;
FIG. 4 is a bottom plan view;
FIG. 5 is a rear elevational view; and,
FIG. 6 is a reduced scale perspective view with the broken line showing of a transformer being for illustrative purposes only and forming no part of the claimed design.

[52] U.S. Cl. **D26/93**

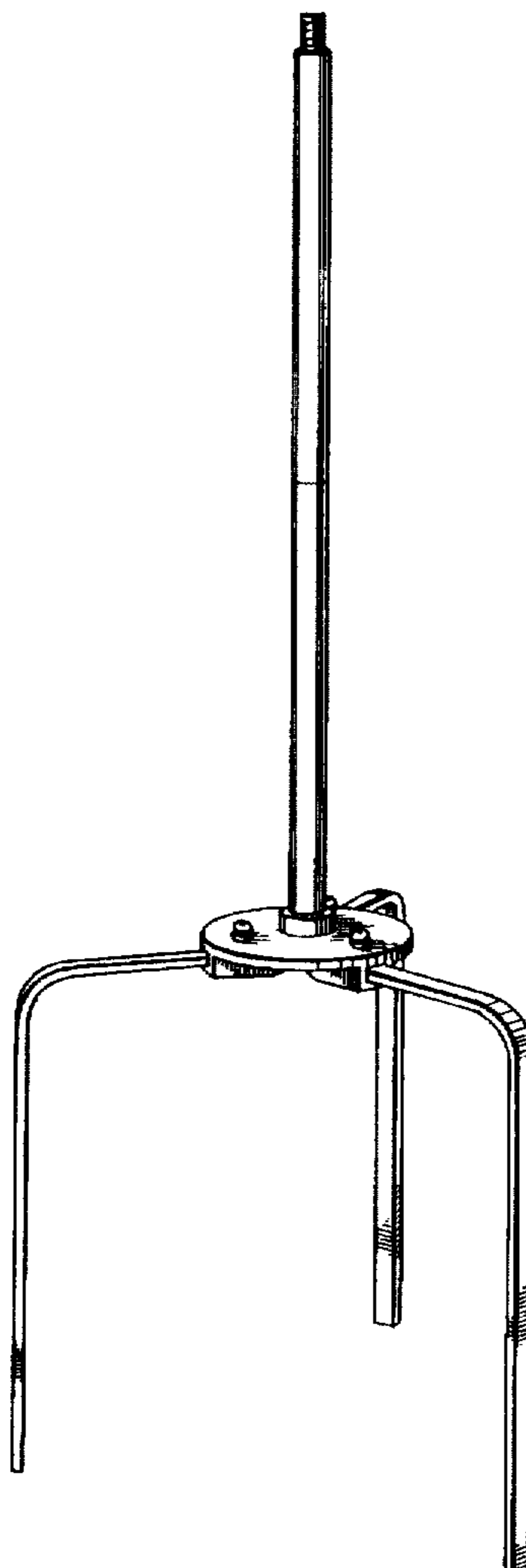
[58] Field of Search D26/93, 138; D6/416; 248/156, 158, 530; 362/190-191, 396

[56] **References Cited**

U.S. PATENT DOCUMENTS

D. 211,120	5/1968	Sherbert	D26/138
1,397,675	11/1921	Buske	248/156 X

1 Claim, 4 Drawing Sheets



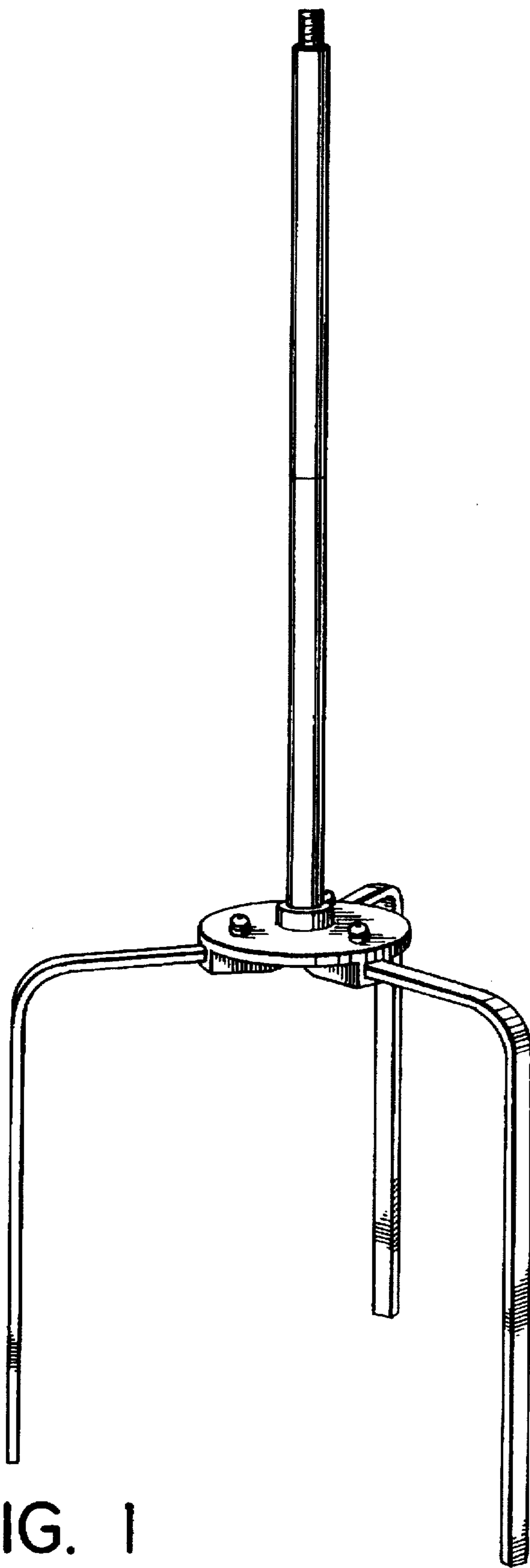


FIG. 1

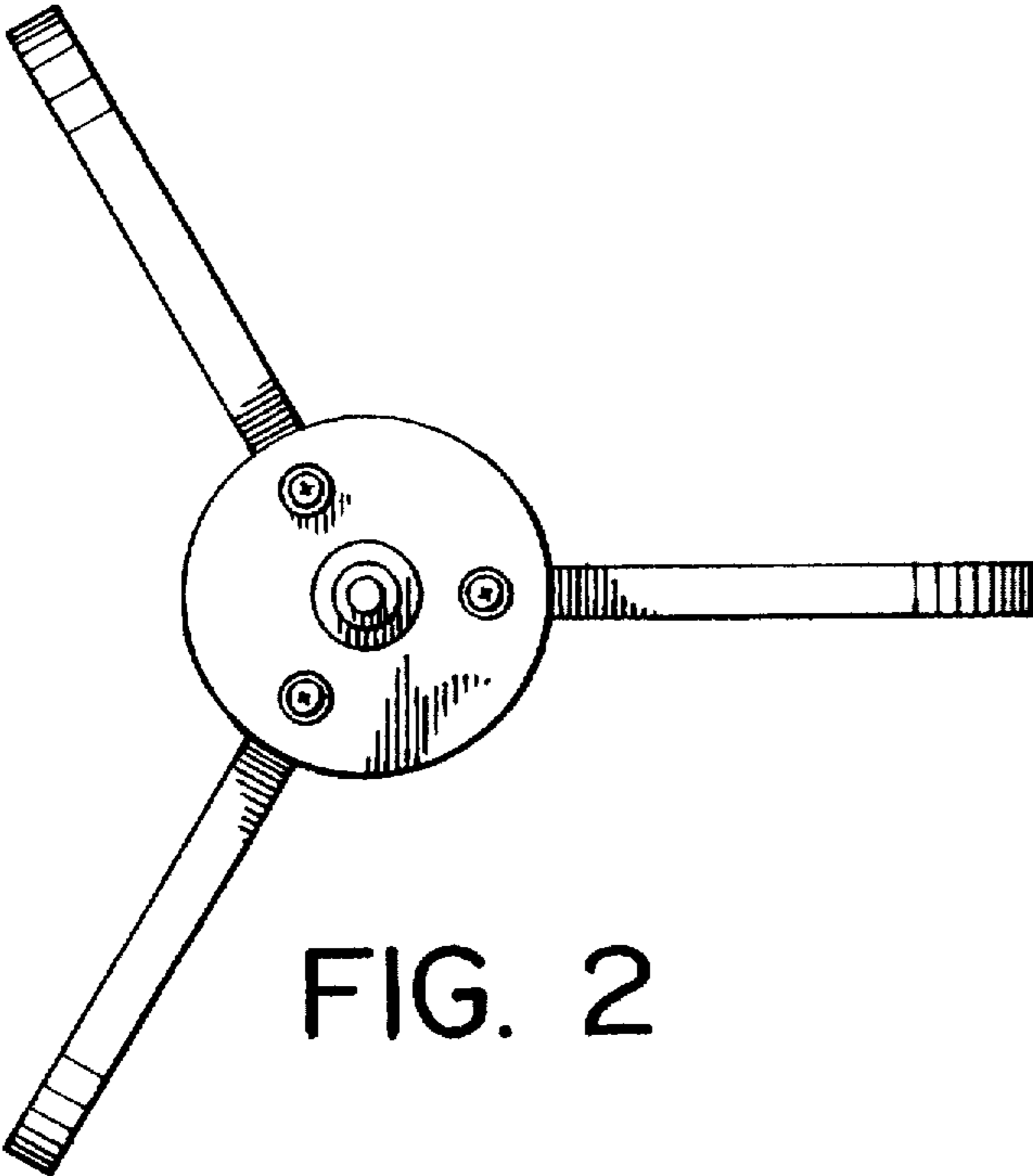


FIG. 2

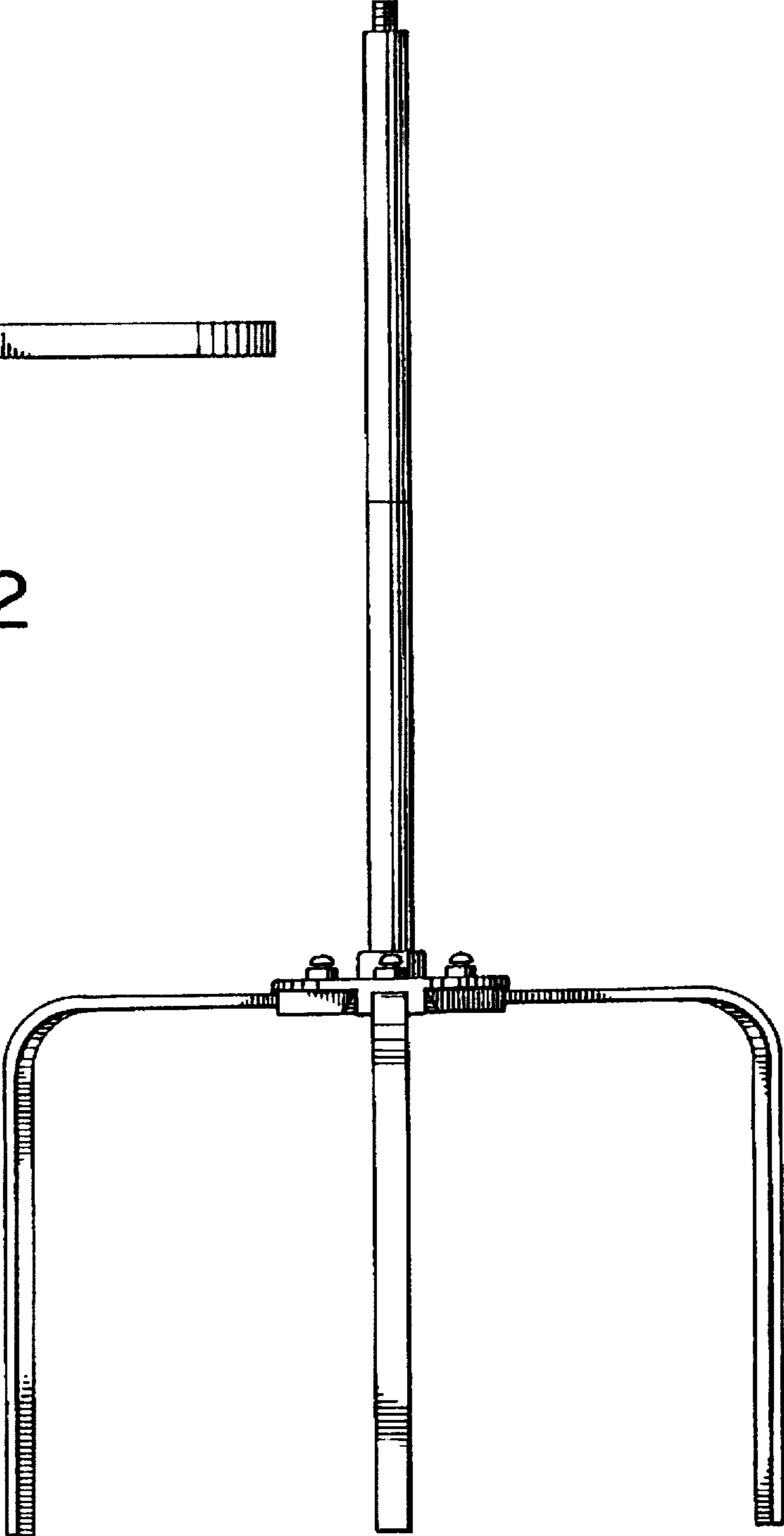


FIG. 3

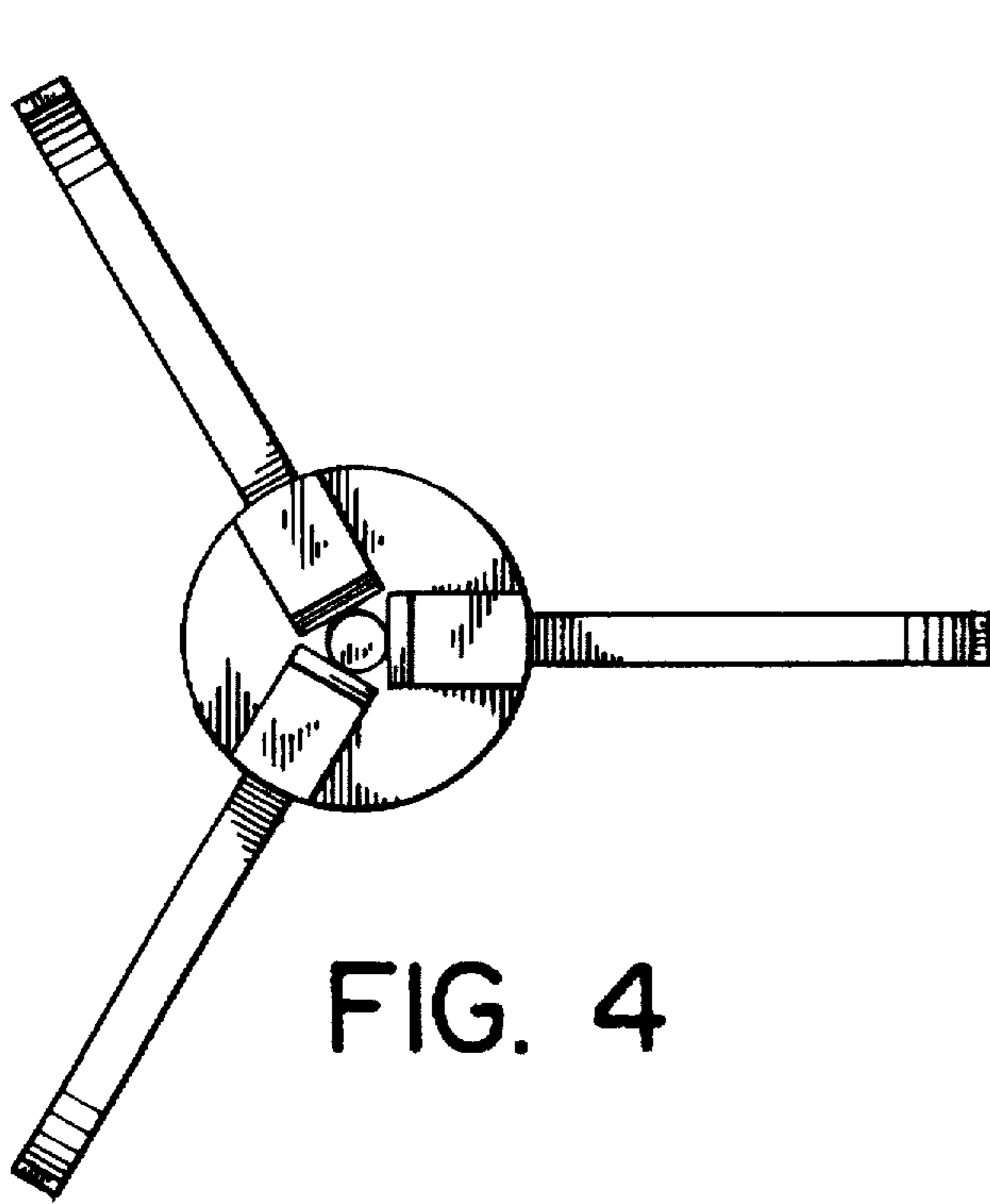
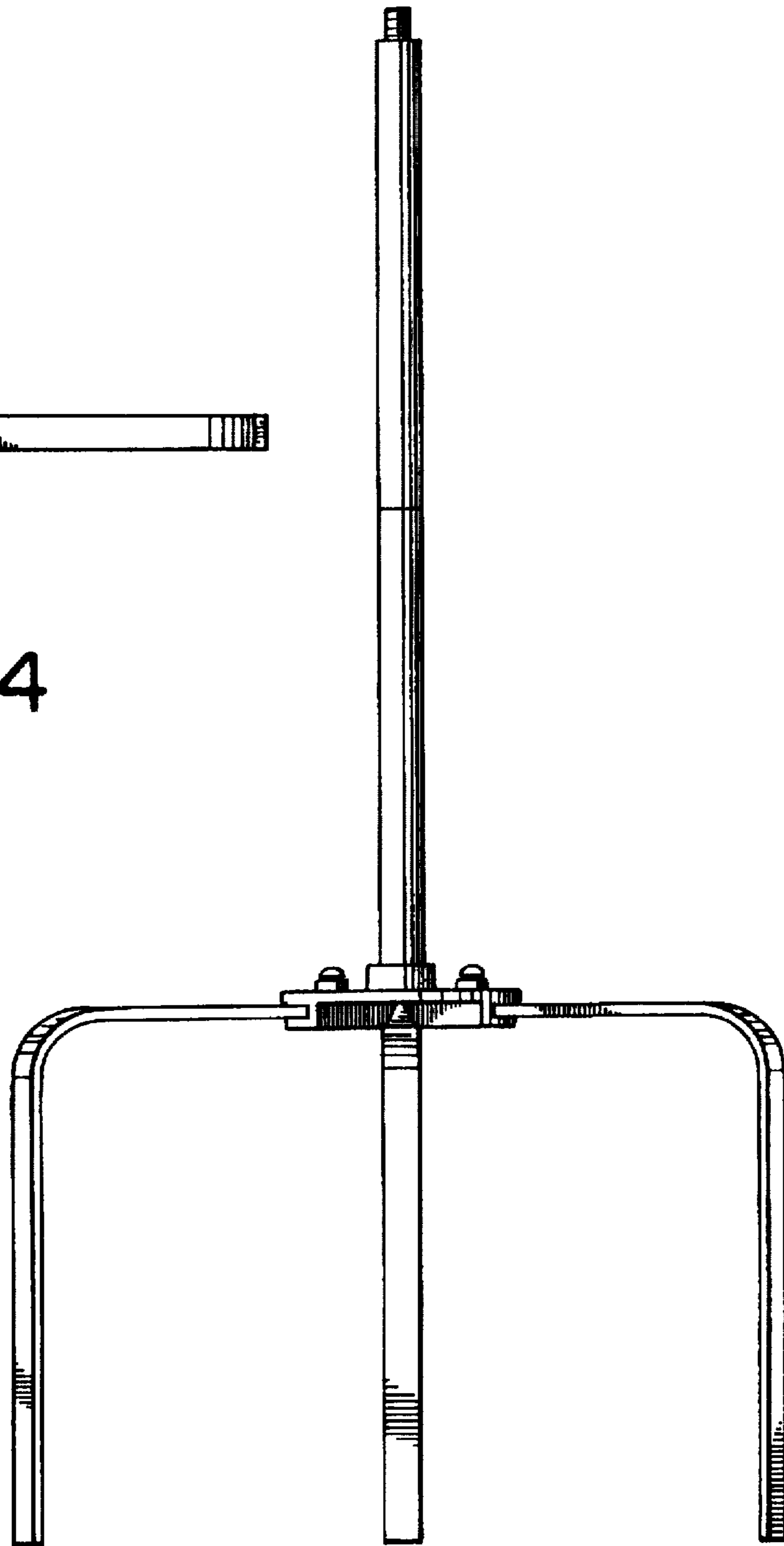


FIG. 4

FIG. 5



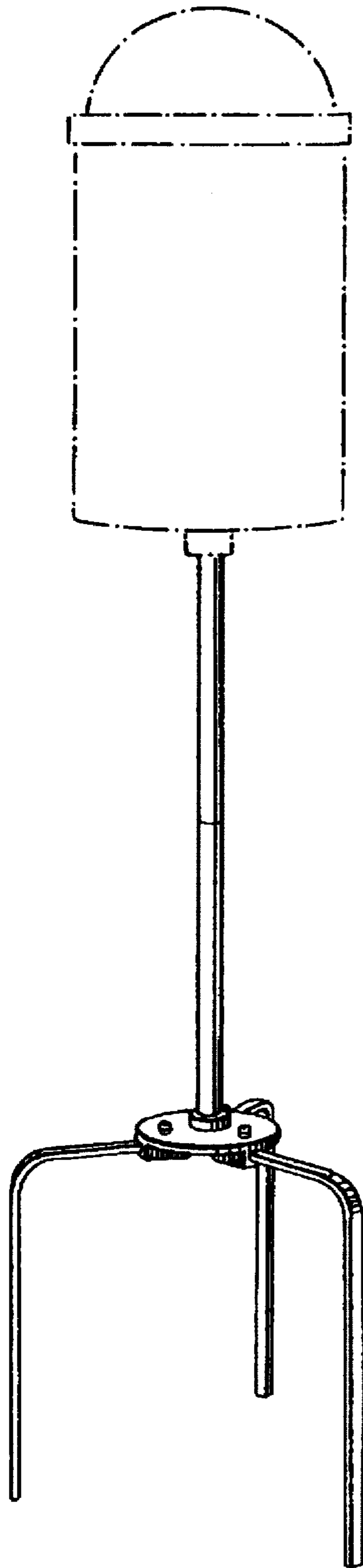


FIG. 6