



US00D387876S

# United States Patent [19] Maple

[11] Patent Number: Des. 387,876

[45] Date of Patent: \*\*Dec. 16, 1997

[54] **PORTION OF A UTILITY SHED**  
[75] Inventor: **Wade A. F. Maple**, Sherrills Ford, N.C.  
[73] Assignee: **Rubbermaid Specialty Products, Inc.**,  
Wooster, Ohio  
[\*\*] Term: **14 Years**  
[21] Appl. No.: **44,189**  
[22] Filed: **Sep. 20, 1995**

D. 335,730 5/1993 Tessner et al. .... D34/7  
D. 364,468 11/1995 Maple ..... D25/16  
4,115,967 9/1978 Kragt ..... 52/90  
4,501,103 2/1985 Markey et al. .... 52/90 X  
4,570,392 2/1986 Oltman et al. .... 52/64

*Primary Examiner*—Doris V. Coles  
*Attorney, Agent, or Firm*—Sterne, Kessler, Goldstein & Fox  
P.L.L.C.

### Related U.S. Application Data

[63] Continuation of Ser. No. 21,495, Apr. 19, 1994, Pat. No.  
Des. 364,468.  
[51] LOC (6) CL ..... **25-03**  
[52] U.S. Cl. .... **D25/16**  
[58] Field of Search ..... D25/16, 33; 52/64,  
52/90.1, 94, 745; 6/440; D28/16, 33; D34/1,  
7

### [57] CLAIM

The ornamental design for a portion of a utility shed, as shown and described.

### DESCRIPTION

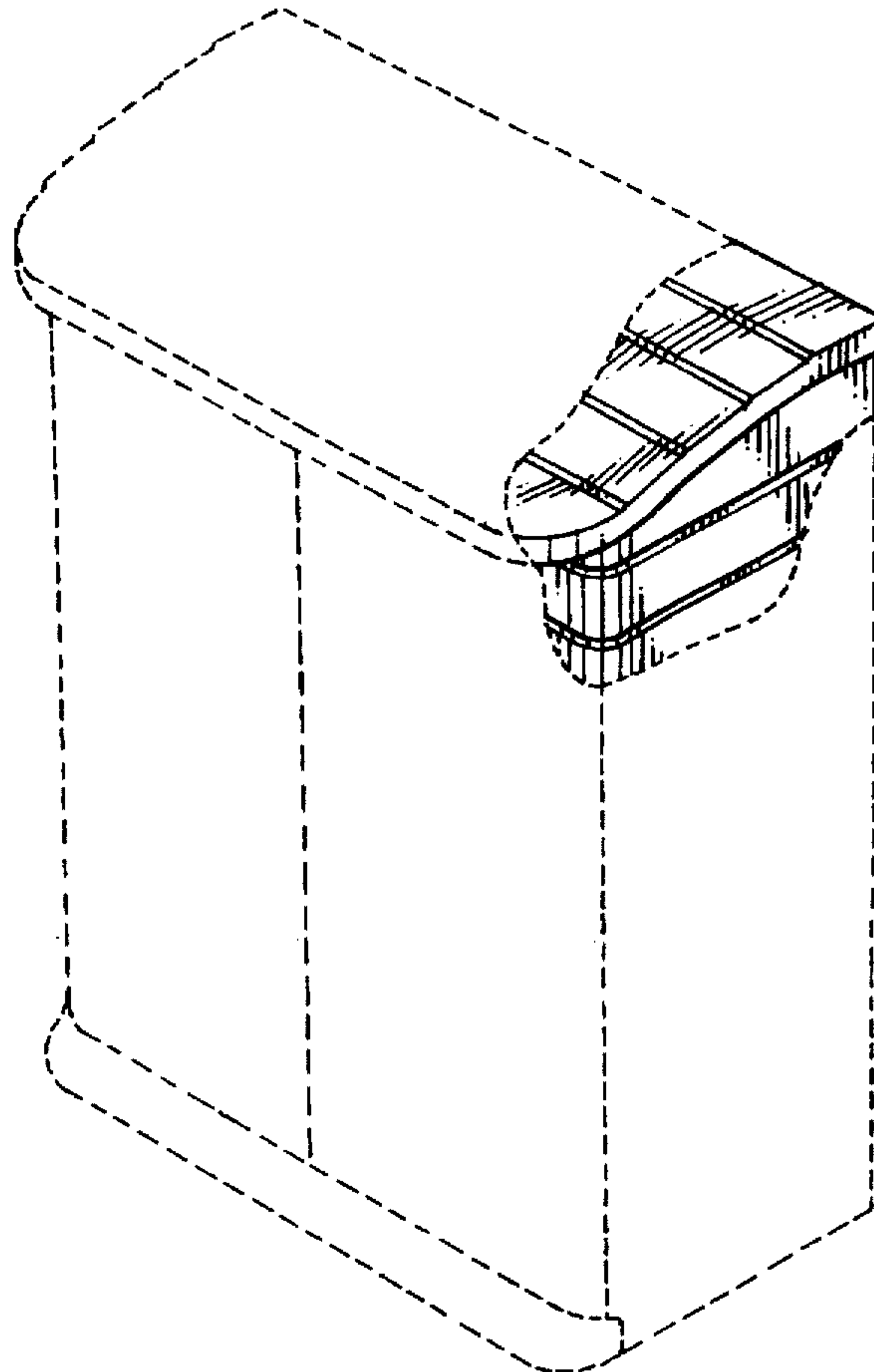
FIG. 1 is a top right front perspective view of a portion of a utility shed showing my new design;  
FIG. 2 is a top plan view thereof;  
FIG. 3 is a right side elevational view thereof;  
FIG. 4 is a rear elevational view thereof;  
FIG. 5 is a top right front perspective view of a portion of a utility shed showing an alternate embodiment of my new design;  
FIG. 6 is a top plan view thereof;  
FIG. 7 is a right side elevational view thereof; and,  
FIG. 8 is a rear elevational view thereof.

### [56] References Cited

#### U.S. PATENT DOCUMENTS

D. 260,062 8/1981 Knaack et al. .... D6/440  
D. 300,362 3/1989 Adams ..... D25/33  
D. 325,979 5/1992 Mahler ..... D25/33

**1 Claim, 4 Drawing Sheets**



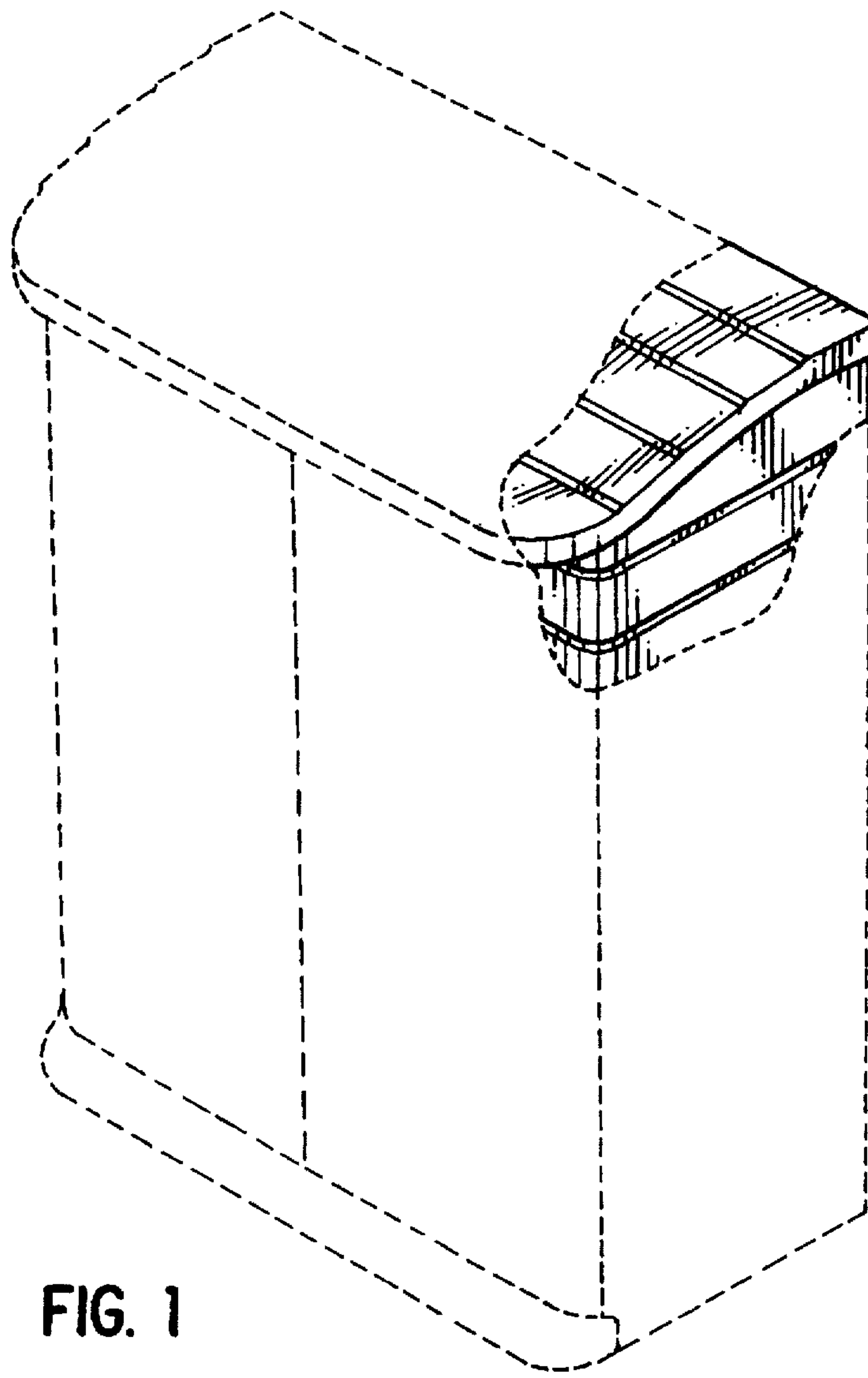


FIG. 1

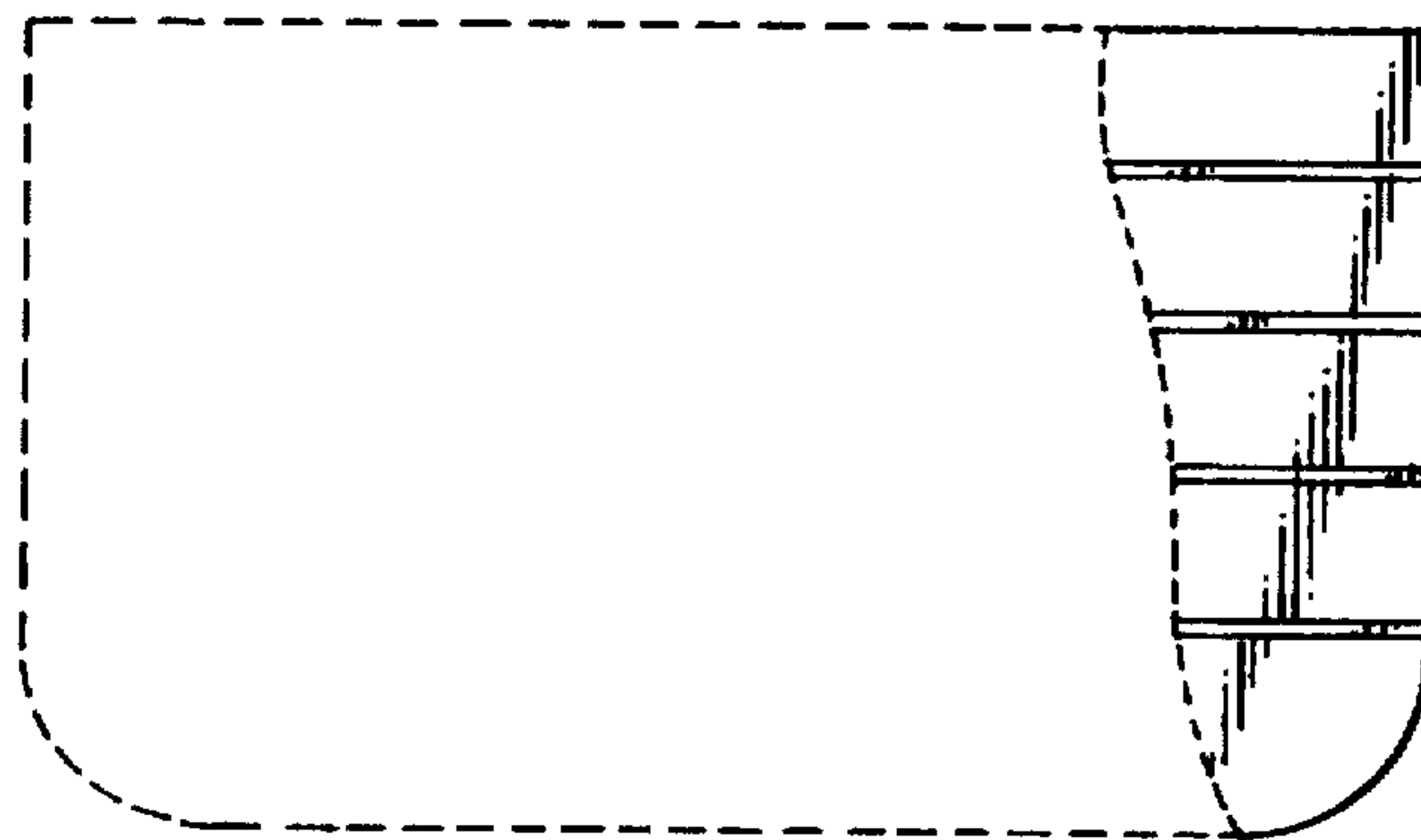


FIG. 2

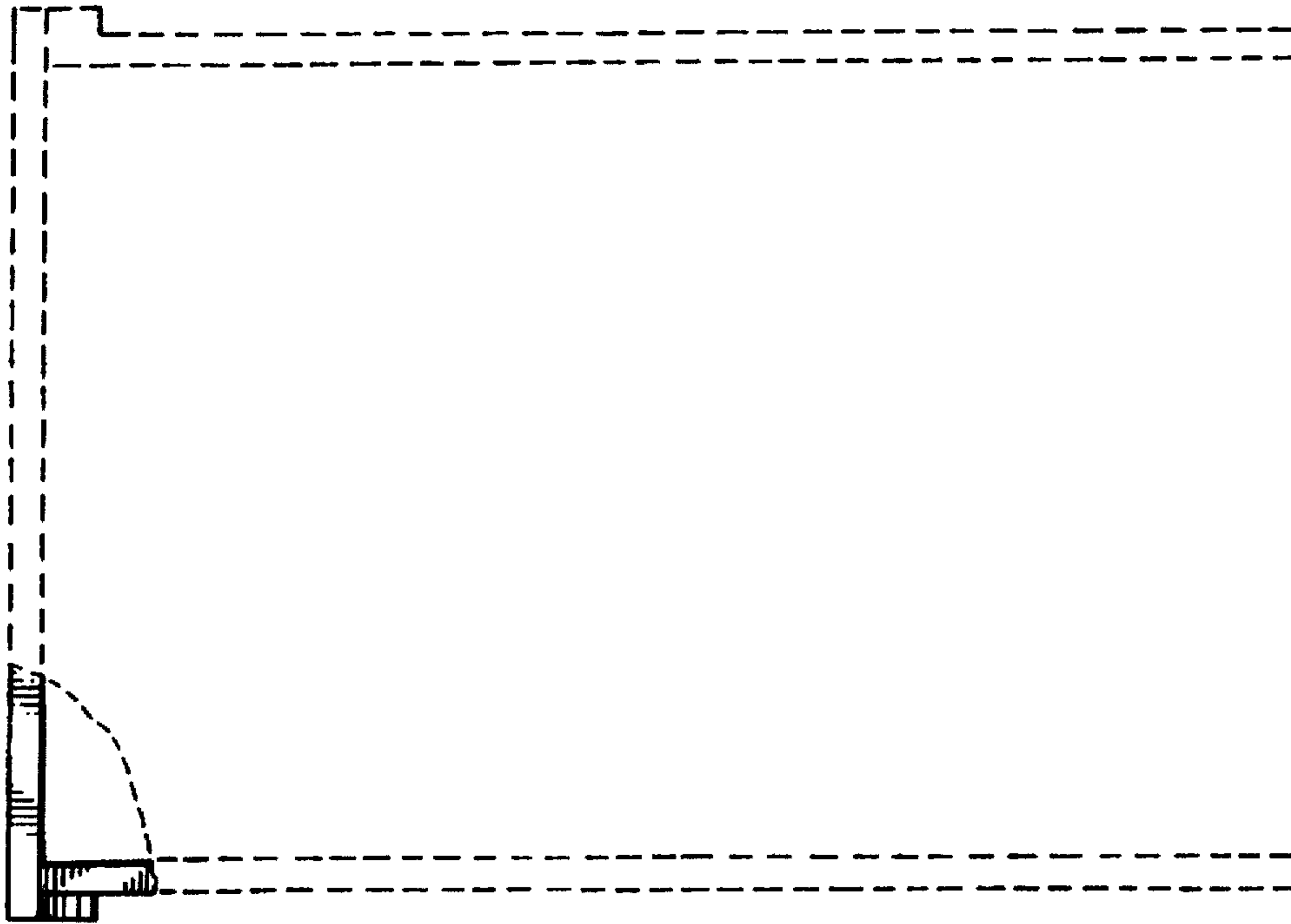


FIG. 4



FIG. 3

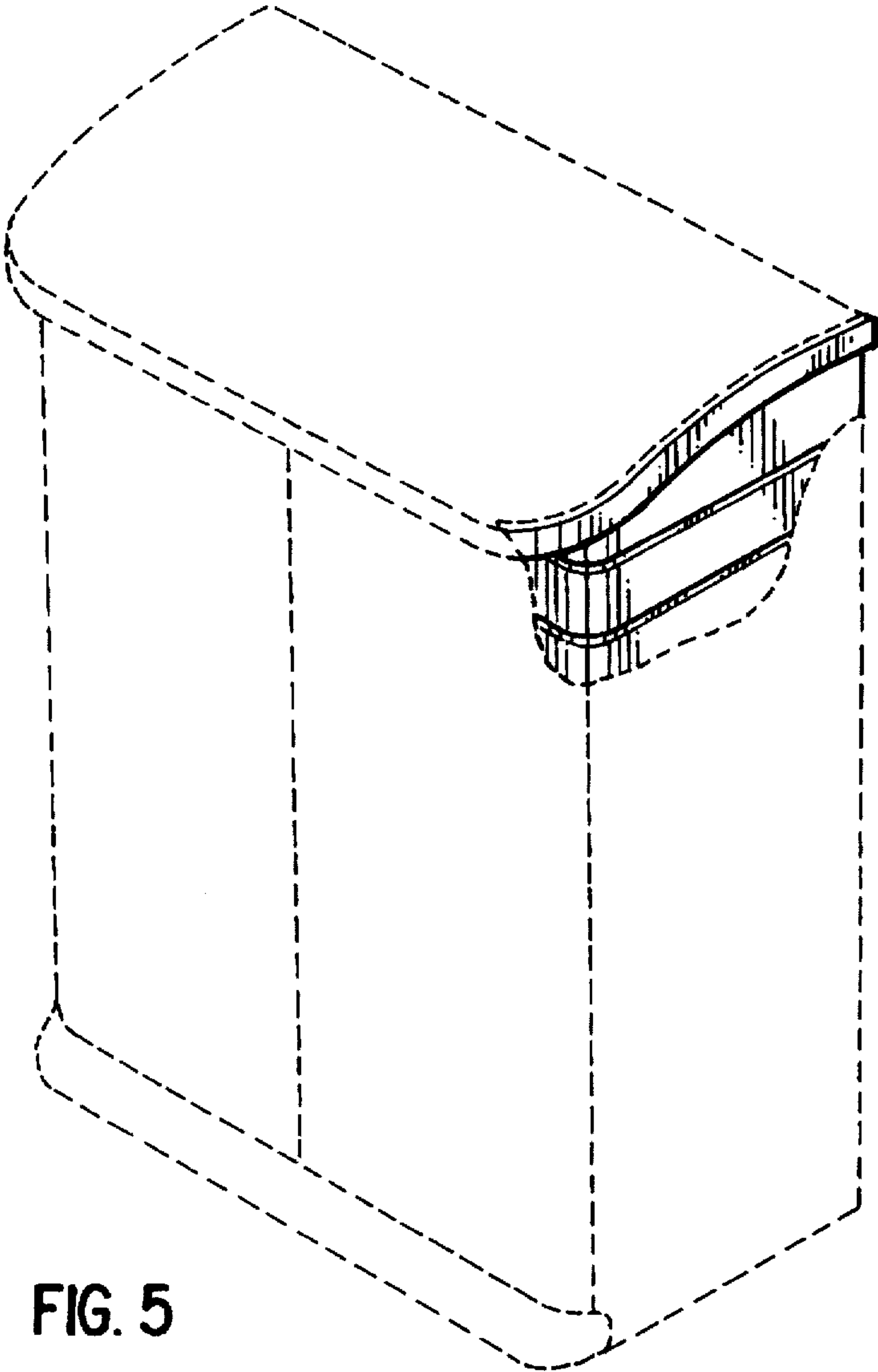


FIG. 5

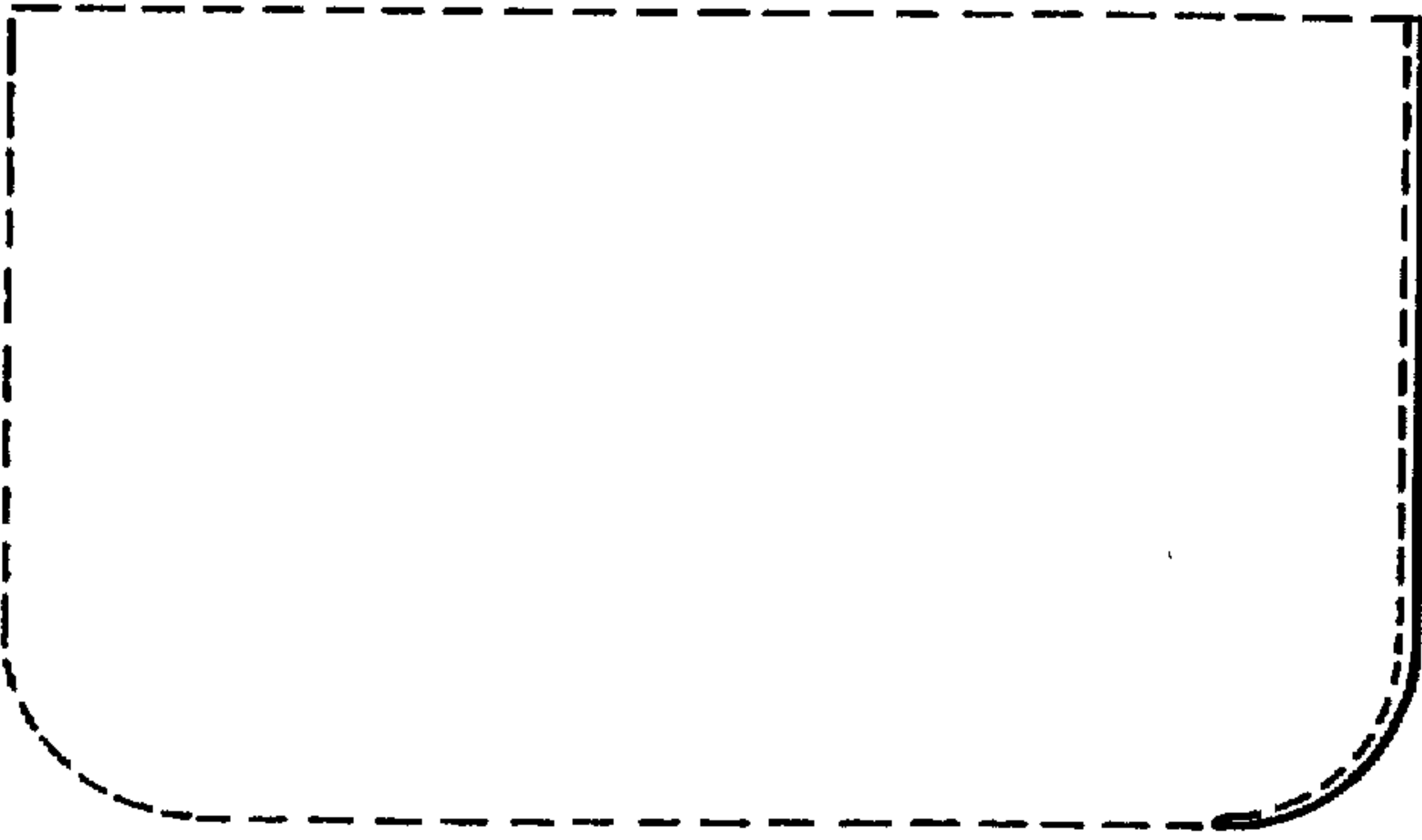


FIG. 6



FIG. 8



FIG. 7