

US00D387873S

**United States Patent** [19]  
**Lee**

[11] **Patent Number: Des. 387,873**

[45] **Date of Patent: \*\*Dec. 16, 1997**

[54] **MESSAGE ROD**

4,744,350 5/1988 Sato ..... 601/119  
4,846,158 7/1989 Teranishi ..... 601/72

[76] **Inventor: Shan-Hsiung Lee, 2F, No. 16-1, Lane 46, YenChi Street, Taipei City, Taiwan**

*Primary Examiner—Stella Reid*  
*Attorney, Agent, or Firm—Pro-Techtor International*

[\*\*] **Term: 14 Years**

[57] **CLAIM**

[21] **Appl. No.: 64,199**

The ornamental design for massage rod, as shown and described.

[22] **Filed: Dec. 24, 1996**

**DESCRIPTION**

[51] **LOC (6) Cl. .... 24-04**

[52] **U.S. Cl. .... D24/215**

[58] **Field of Search .... D24/215-214; 601/19, 20, 101, 102, 118, 119, 128-131**

FIG. 1 is a perspective view of massage rod showing my new design;

FIG. 2 is a front elevational view thereof;

FIG. 3 is a rear elevational view thereof;

FIG. 4 is a left side elevational view thereof;

FIG. 5 is a right side elevational view thereof;

FIG. 6 is a top view thereof; and,

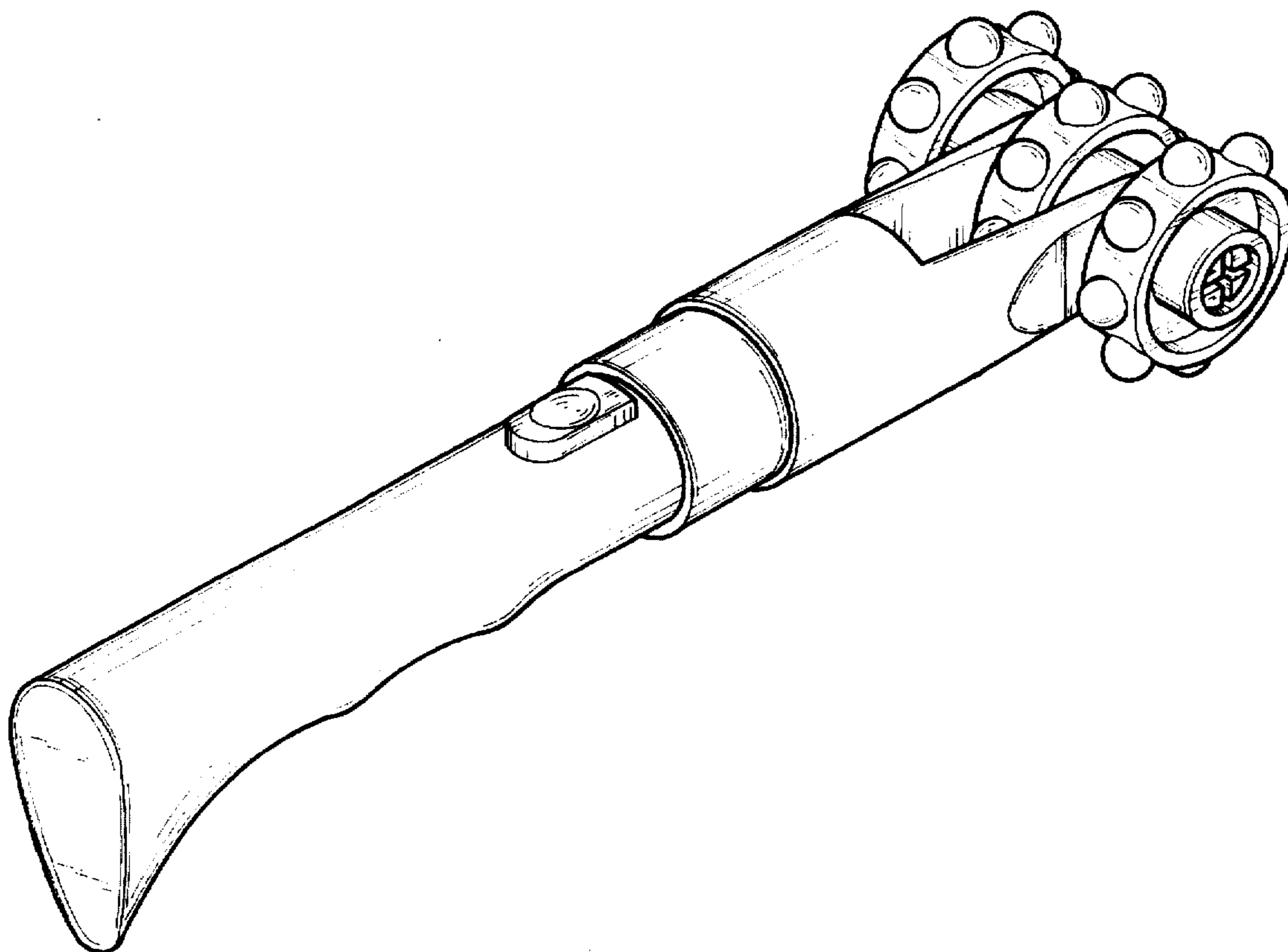
FIG. 7 is a bottom view thereof.

[56] **References Cited**

**U.S. PATENT DOCUMENTS**

- D. 349,576 8/1994 Heiligenstein et al. .... D24/211
- D. 358,655 5/1995 Ivy ..... D24/211
- 4,622,956 11/1986 Nesheim ..... 601/119

**1 Claim, 6 Drawing Sheets**



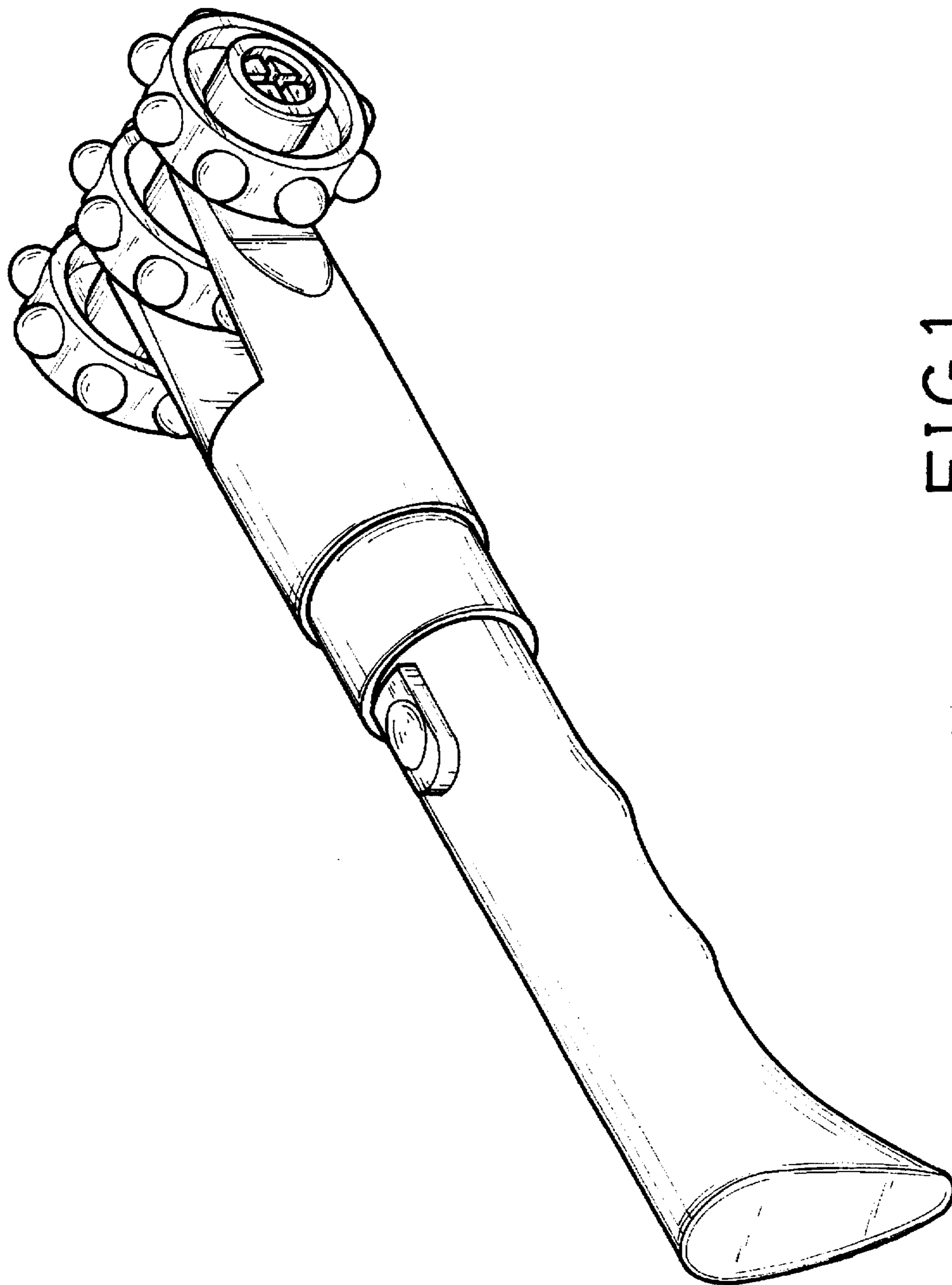


FIG.1

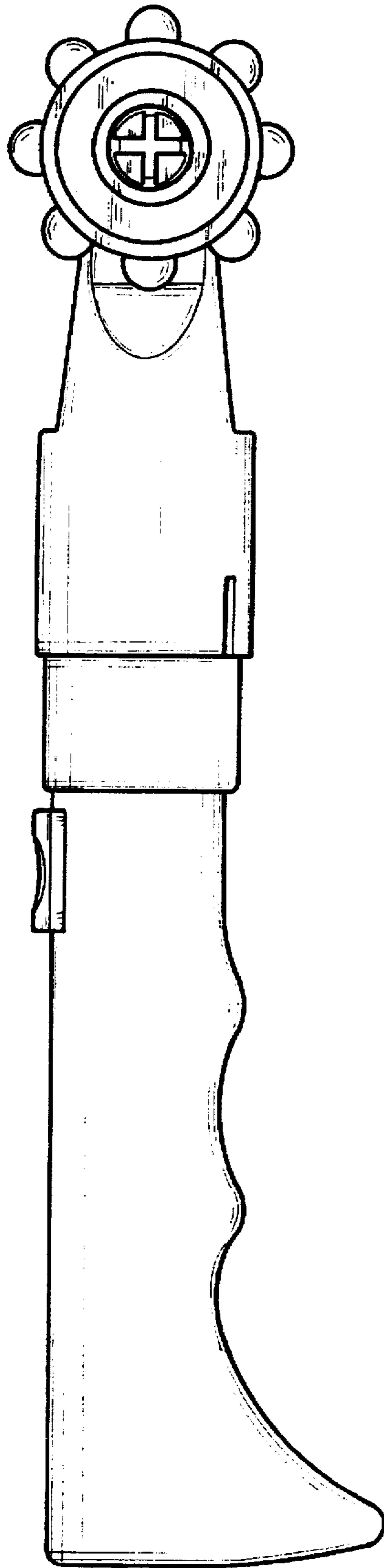


FIG.2

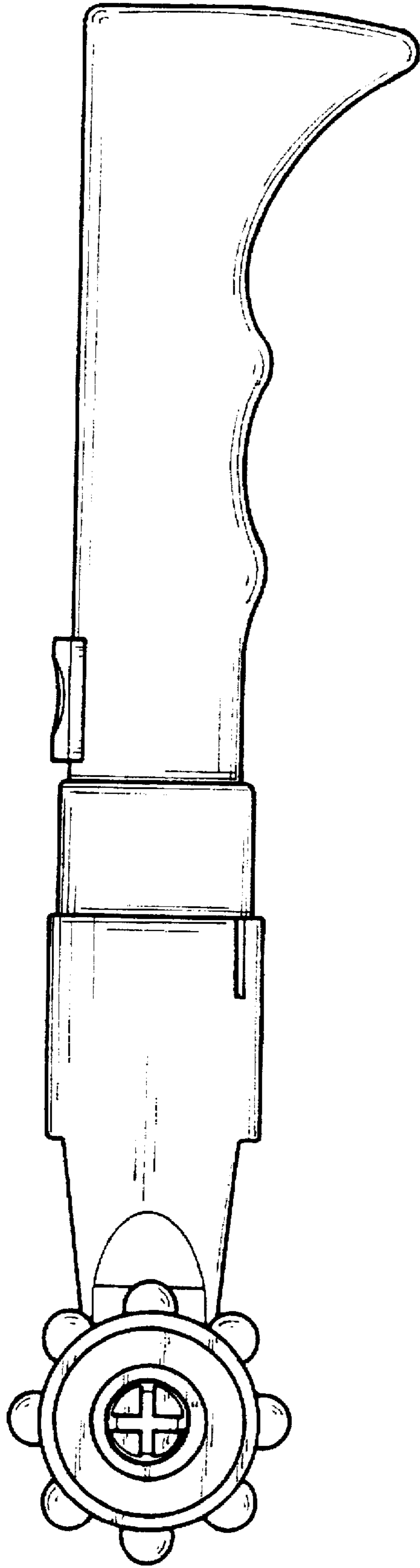


FIG. 3

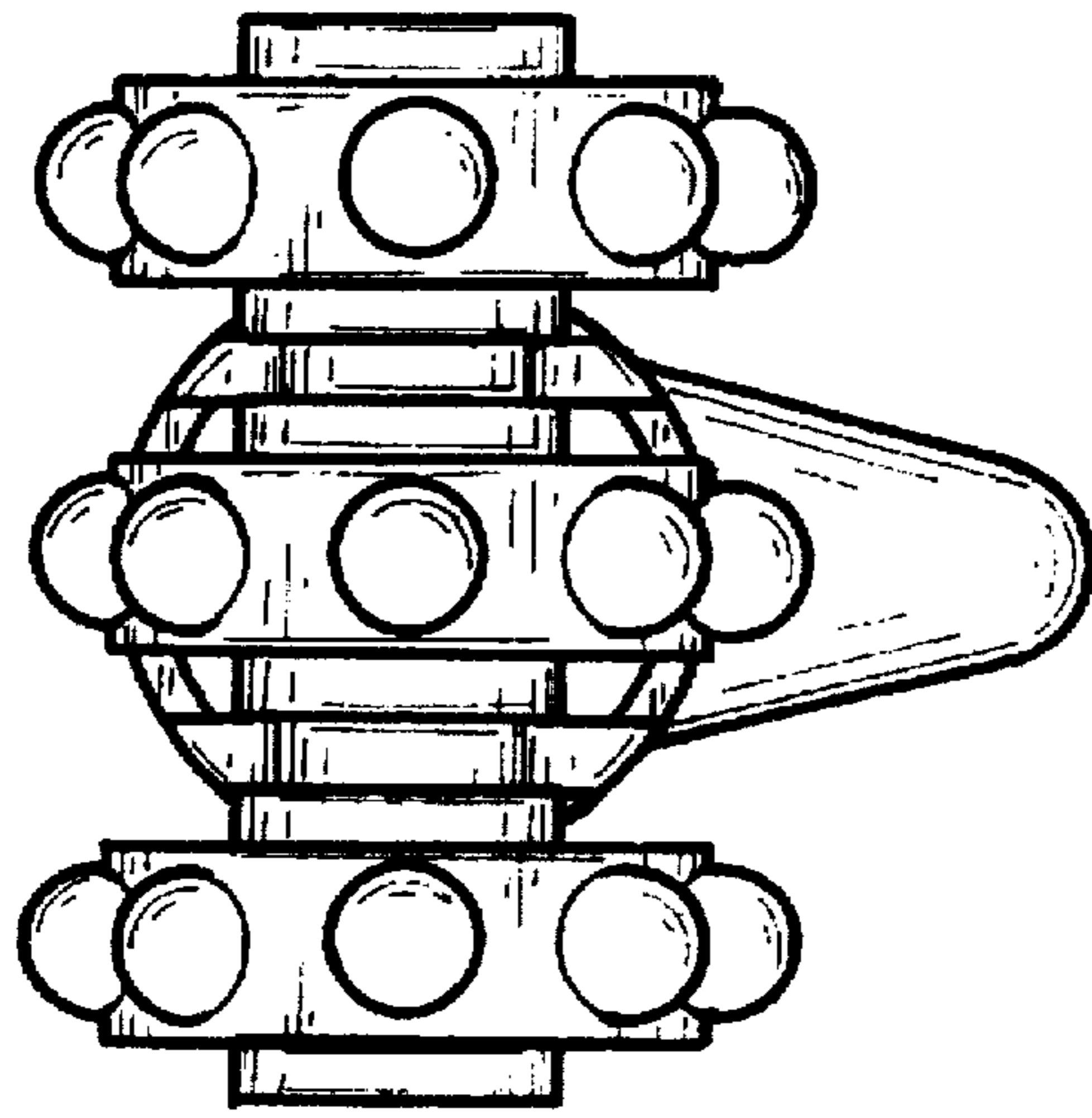


FIG. 5

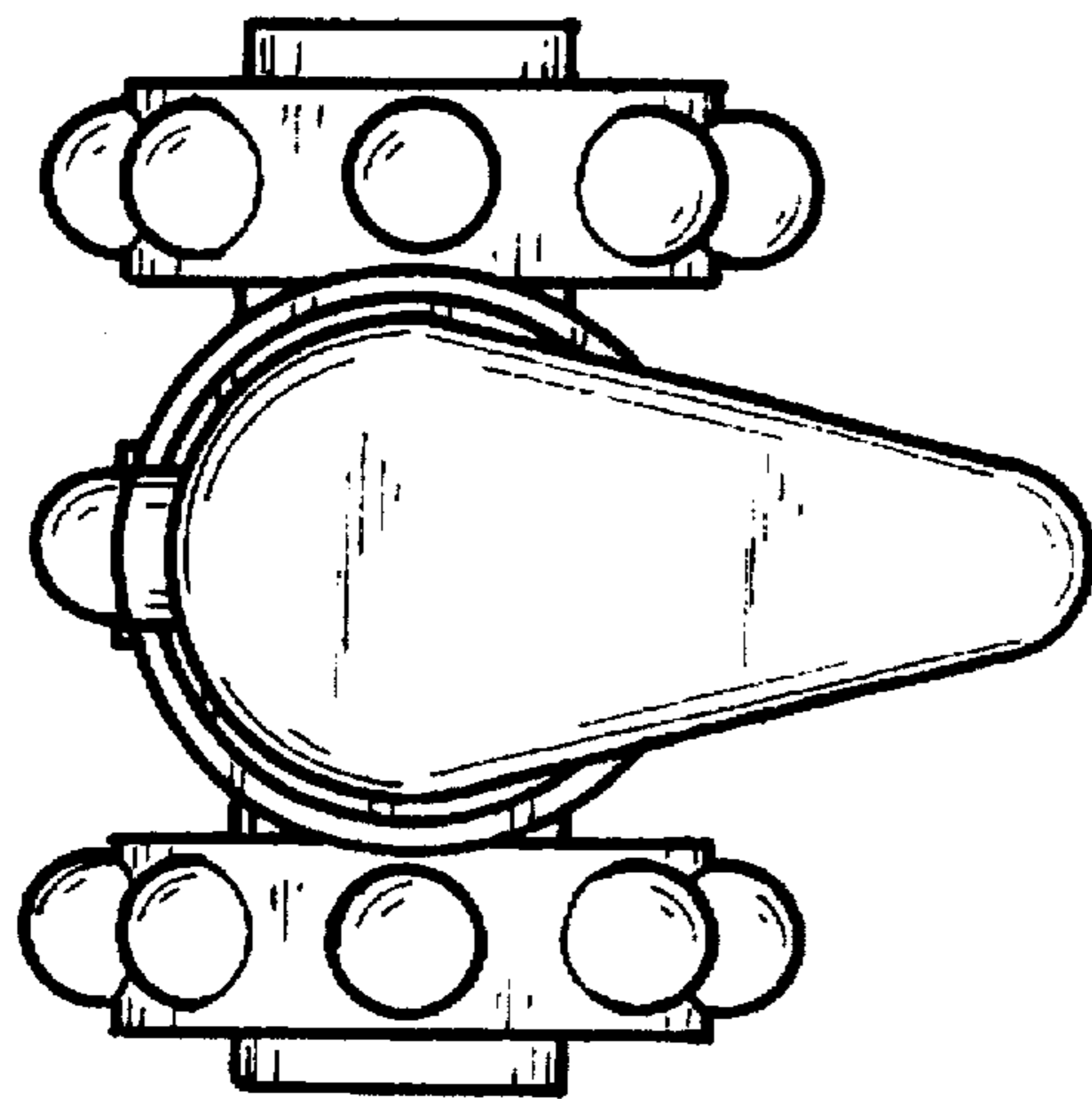


FIG. 4

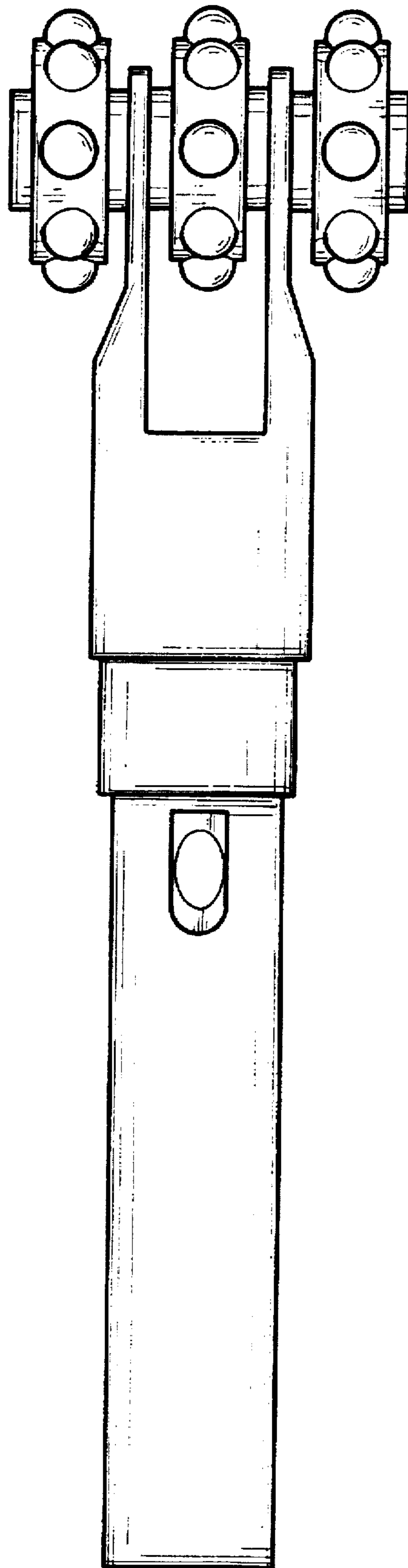


FIG. 6

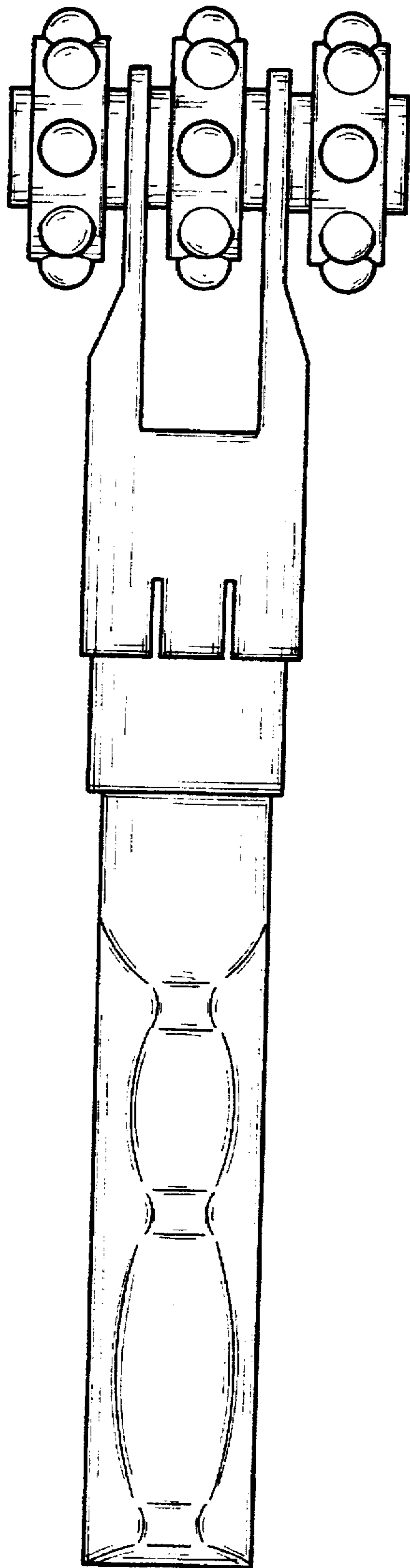


FIG. 7