



US00D387865S

# United States Patent [19]

Peckham et al.

[11] Patent Number: **Des. 387,865**

[45] Date of Patent: **\*\*Dec. 16, 1997**

[54] LANCET

[75] Inventors: **Allison A. Peckham**, Pompton Plains, N.J.; **Lennox O. Watts**, Bronx; **Marina Gertsek**, Manhattan County, both of N.Y.; **Kevin R. Smith**, Holdrege, Nebr.; **Don D. Taubenheim**, Holdrege, Nebr.; **Ronald J. Pistulka**, Holdrege, Nebr.

4,375,815	3/1983	Burns	606/182
5,314,442	5/1994	Morita	606/182
5,324,303	6/1994	Strong et al.	606/181
5,350,392	9/1994	Purcell et al.	606/182
5,385,571	1/1995	Morita	606/181

*Primary Examiner*—Louis S. Zarfaz  
*Assistant Examiner*—Frank Martinez  
*Attorney, Agent, or Firm*—Alan W. Fiedler

[73] Assignee: **Becton Dickinson and Company**, Franklin Lakes, N.J.

[\*\*] Term: **14 Years**

[21] Appl. No.: **36,885**

[22] Filed: **Mar. 29, 1995**

[51] LOC (6) Cl. .... **24-02**

[52] U.S. Cl. .... **D24/146**

[58] Field of Search ..... D24/146, 133, D24/147; 606/182, 181, 183, 167, 184

[56] **References Cited**

**U.S. PATENT DOCUMENTS**

D. 297,052 8/1988 Galy ..... D24/147

[57] **CLAIM**

The ornamental design for a lancet, as shown and described.

**DESCRIPTION**

FIG. 1 is a perspective view of a lancet, showing our design; FIG. 2 is a side elevational view of the lancet of FIG. 1, with the other sides being identical; FIG. 3 is a top plan view of the lancet of FIG. 1; FIG. 4 is a bottom plan view of the lancet of FIG. 1; and, FIG. 5 is an exploded perspective view of the lancet of FIG. 1.

**1 Claim, 4 Drawing Sheets**

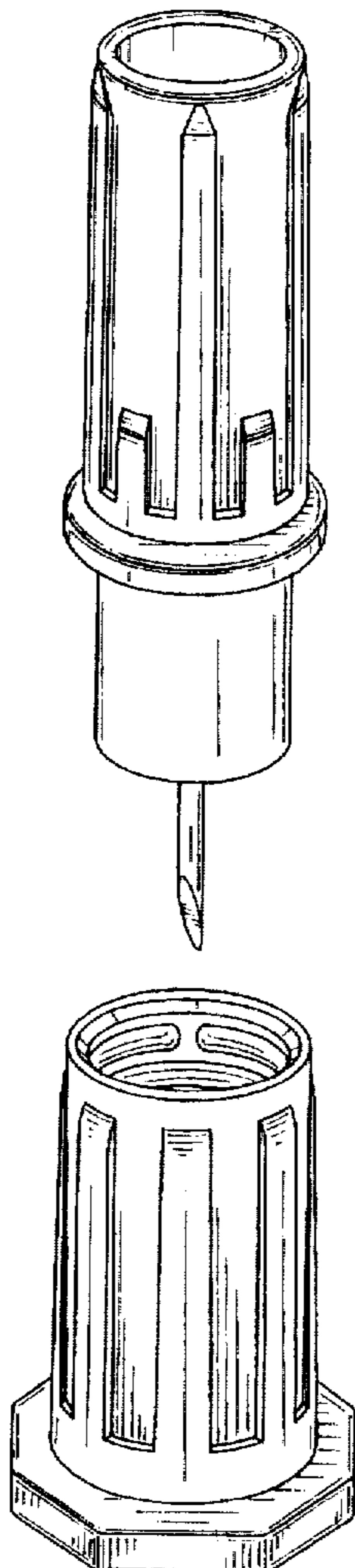


FIG-1

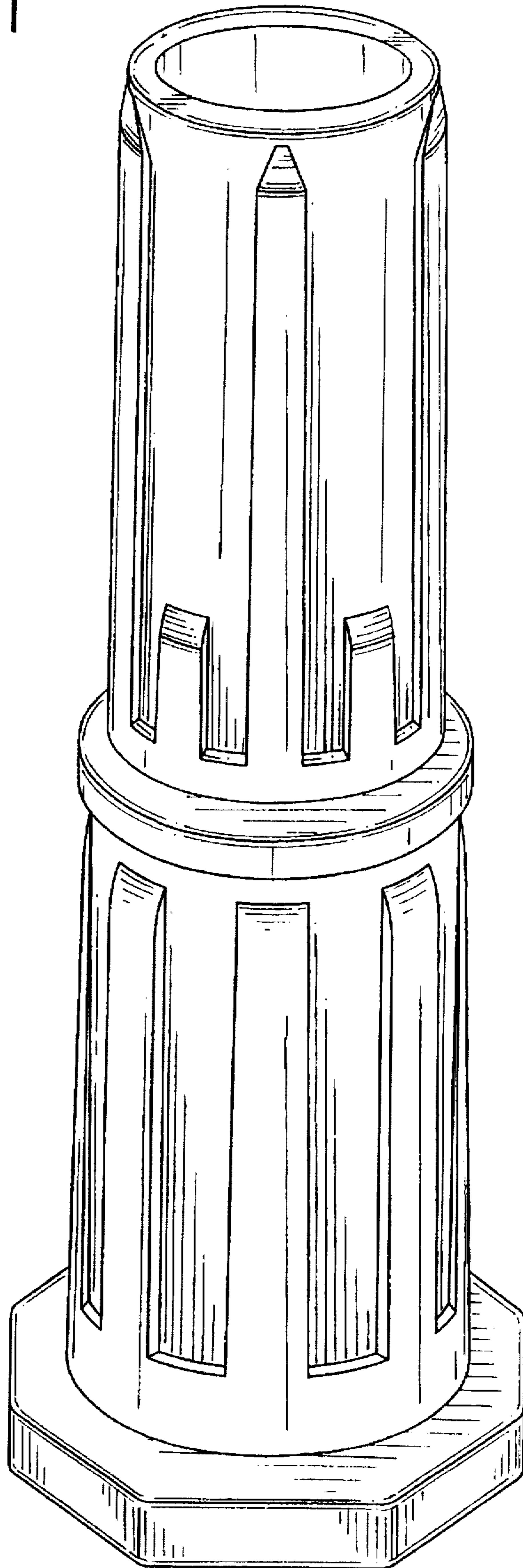


FIG-2

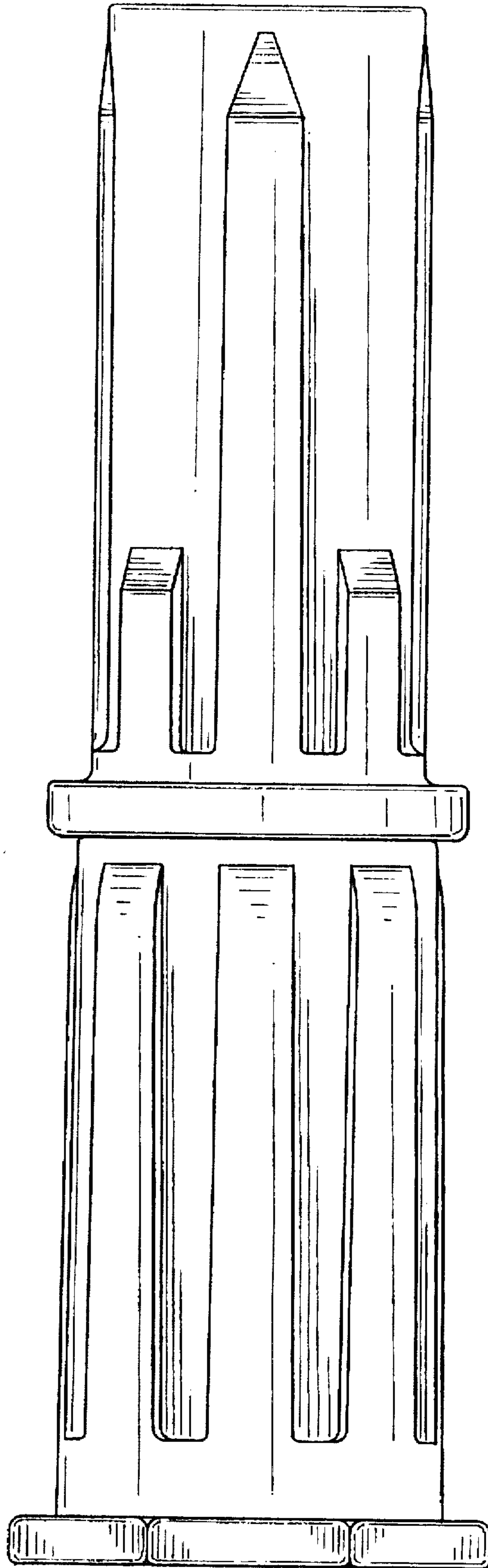


FIG-3

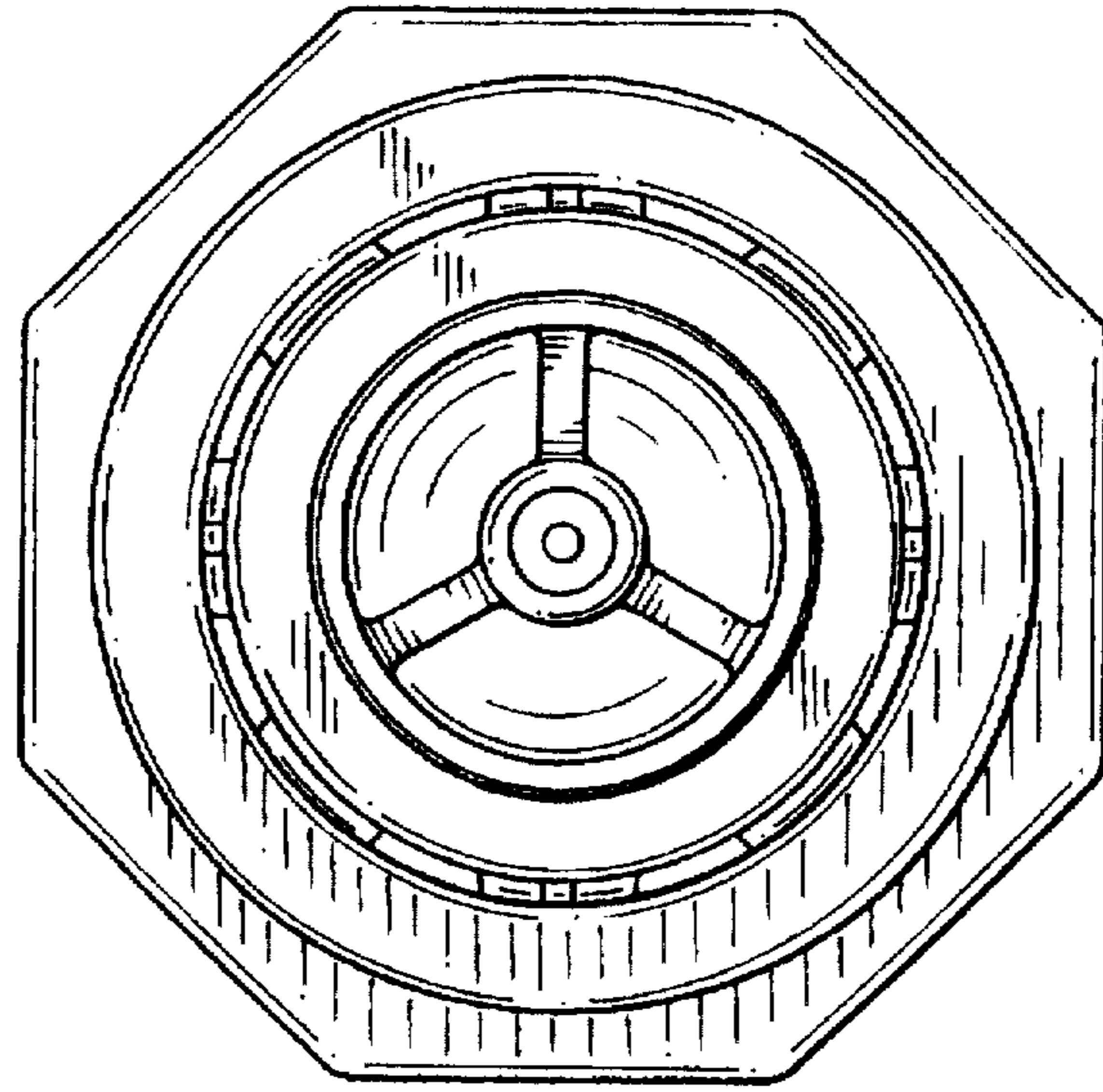


FIG-4

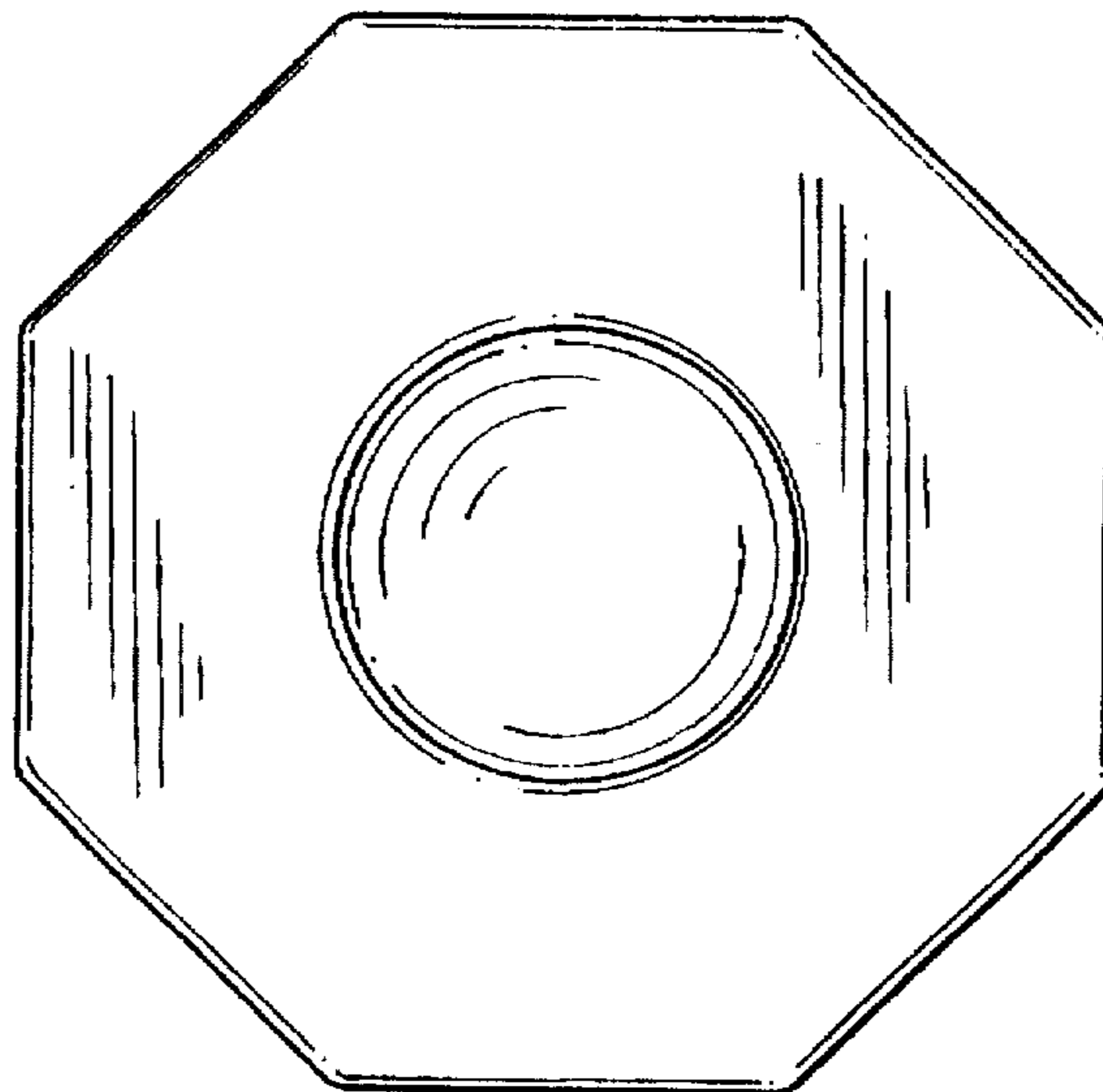
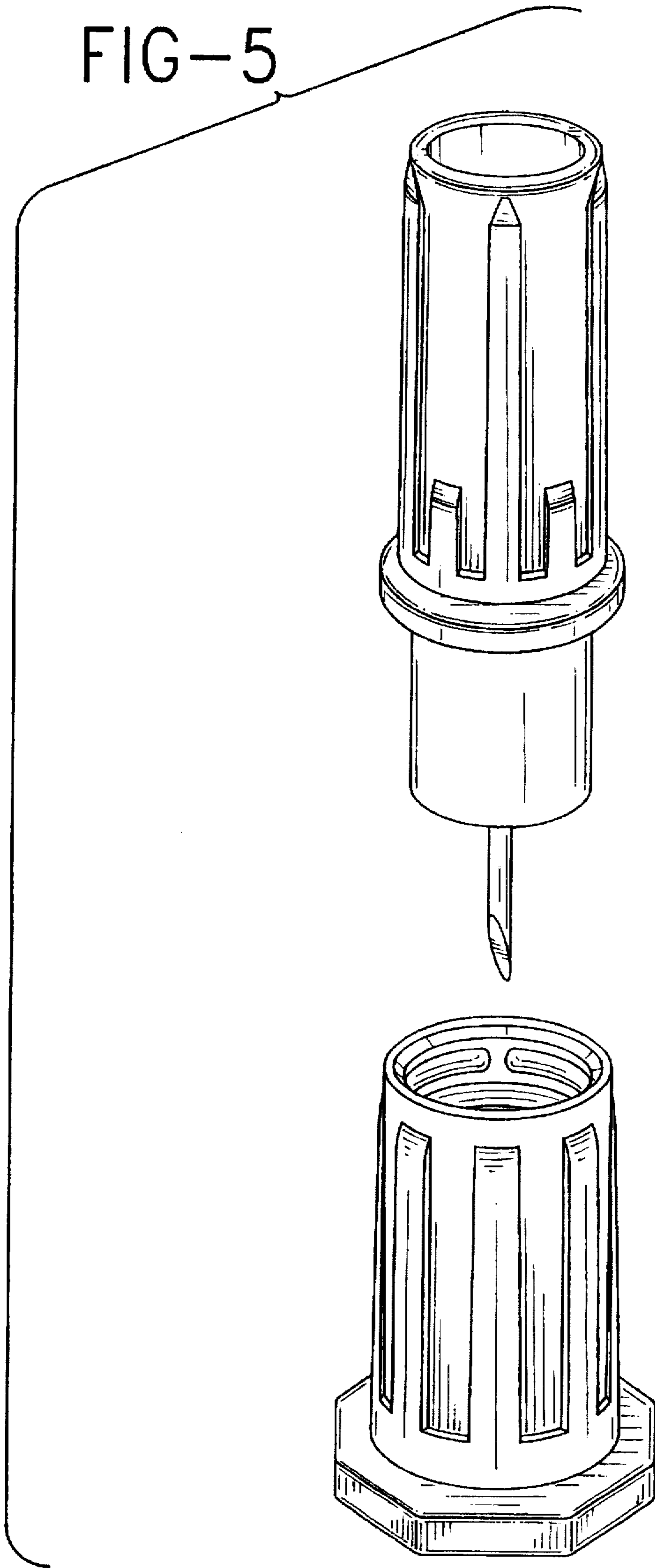


FIG-5



**Disclaimer**

D387,865 - Allison A. Peckham, Pompton Plains, N.J.; Lennox O. Watts, Bronx; Marina Gertsek, Manhattan County, both of N.Y.; Kevin R. Smith, Holdrege, Nebraska; Don D. Taubenhaim, Holdrege, Nebraska; Ronald J. Pistulka, Holdrege, Nebraska. LANCET. Patent dated Dec. 16, 1997. Disclaimer filed Sept. 8, 1999, by the assignee, Becton Dickinson and Company.

Hereby enters this disclaimer to claim 1 of said patent.  
(*Official Gazette*, December 28, 1999)