

US00D387860S

United States Patent [19]
Chen

[11] **Patent Number: Des. 387,860**

[45] **Date of Patent: **Dec. 16, 1997**

[54] **FAN**

3138489 6/1991 Japan 416/146 R
593828 10/1947 United Kingdom 416/246

[76] **Inventor: Terry Chen, 3658 Autumn Ridge Pkwy., Marietta, Ga. 30066**

Primary Examiner—Lisa Lichtenstein
Attorney, Agent, or Firm—Rodgers & Rodgers

[**] **Term: 14 Years**

[57] **CLAIM**

[21] **Appl. No.: 63,174**

The ornamental design for a fan, as shown and described.

[22] **Filed: Nov. 29, 1996**

DESCRIPTION

[51] **LOC (6) Cl. 23-04**

[52] **U.S. Cl. D23/382; D23/378; D23/381; D23/412**

[58] **Field of Search D23/381, 382, D23/412, 370, 378; 416/246, 247, 244 R**

FIG. 1 is a perspective view of a fan showing my new design;

FIG. 2 is a front elevational view thereof;

FIG. 3 is a right side elevational view thereof, the opposite side being a mirror image thereof;

FIG. 4 is a rear elevational view thereof;

FIG. 5 is a top plan view thereof; and,

FIG. 6 is a bottom plan view thereof.

The broken line showing of an electrical cord in FIGS. 1 and 3-6 is for illustrative purposes only and forms no part of the claimed design.

[56] **References Cited**

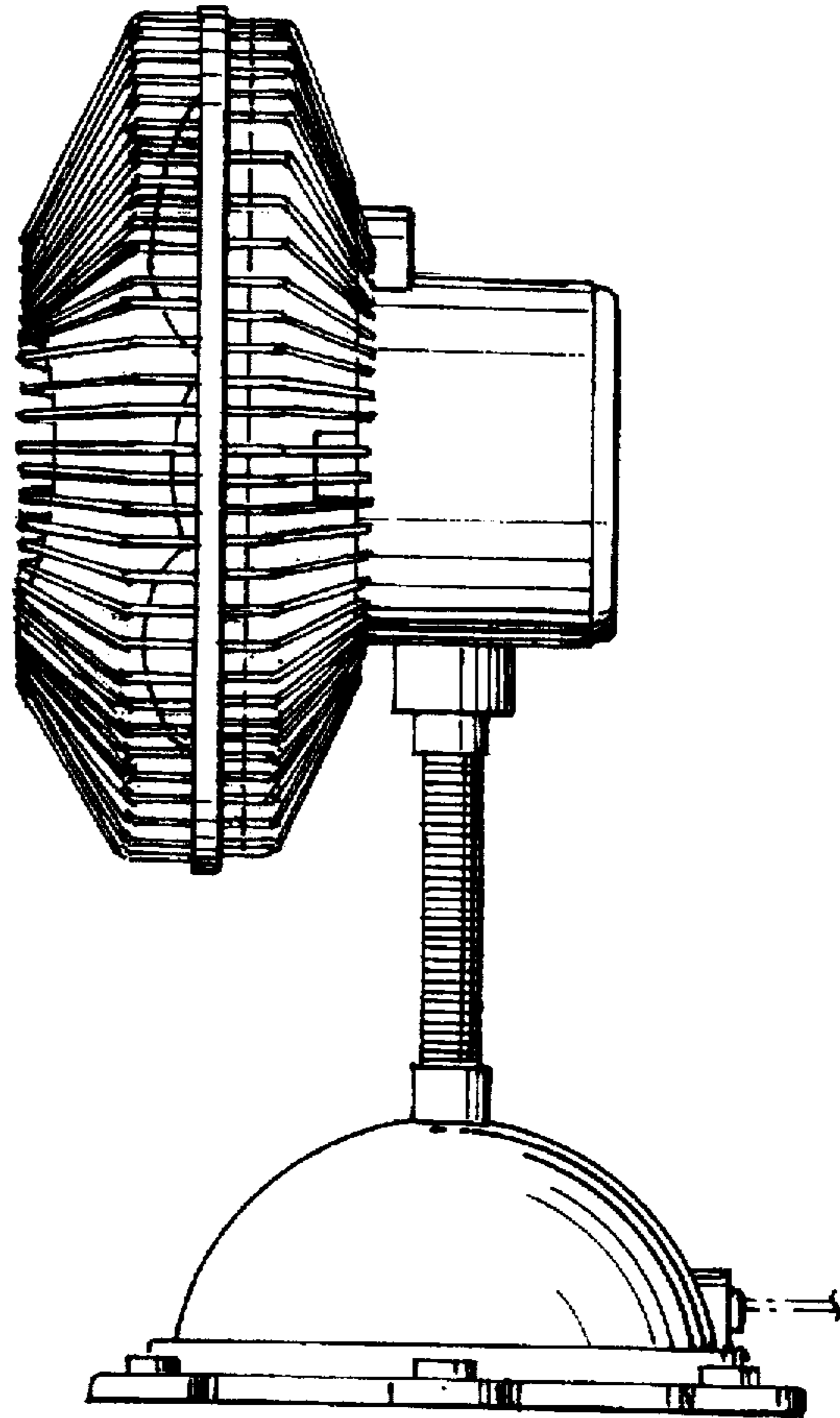
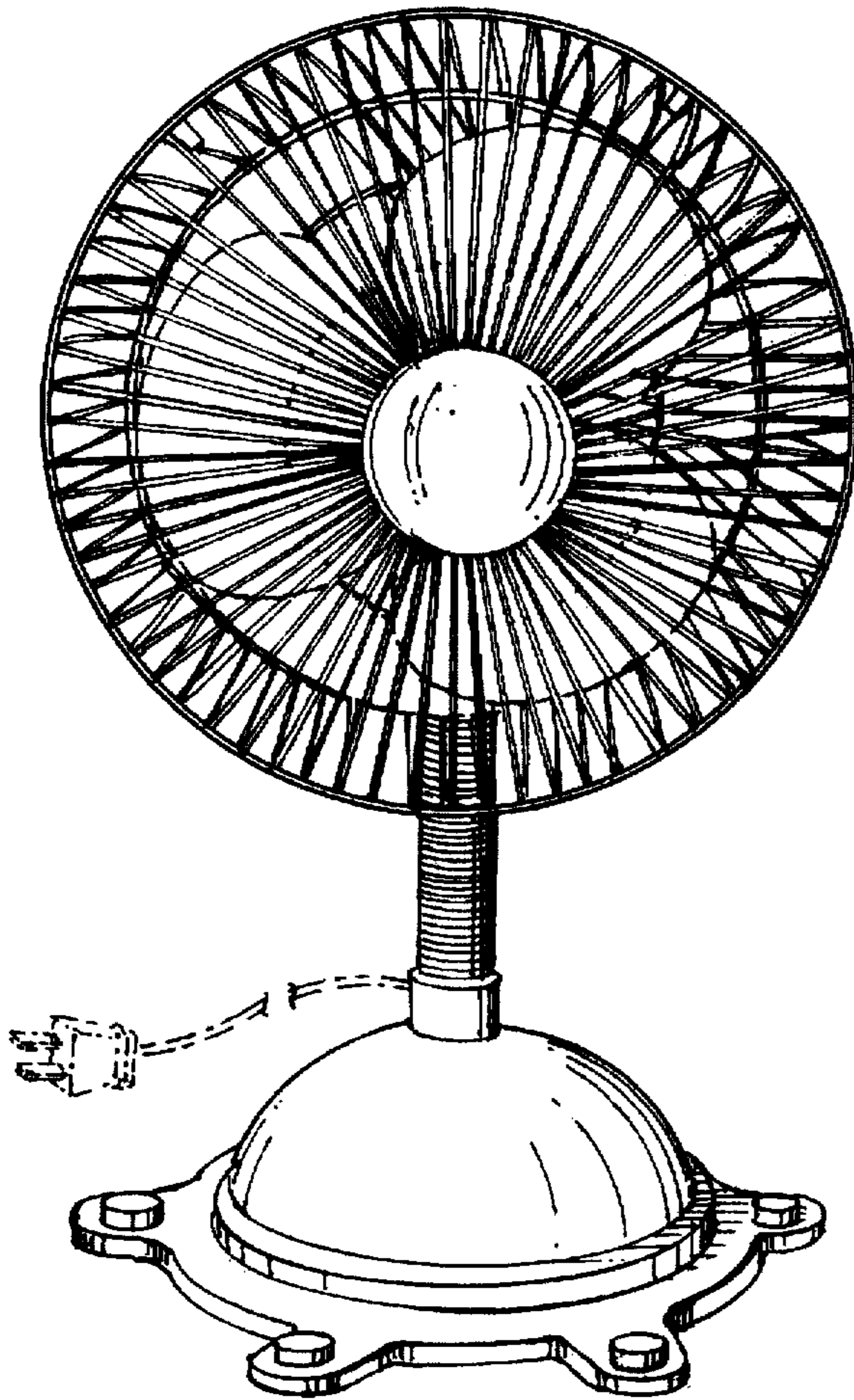
U.S. PATENT DOCUMENTS

D. 59,975 12/1921 Nakamura D23/382
D. 376,843 12/1996 Wortham D23/382
4,850,804 7/1989 Huang 416/246

FOREIGN PATENT DOCUMENTS

417241 6/1947 Italy 416/247

1 Claim, 2 Drawing Sheets



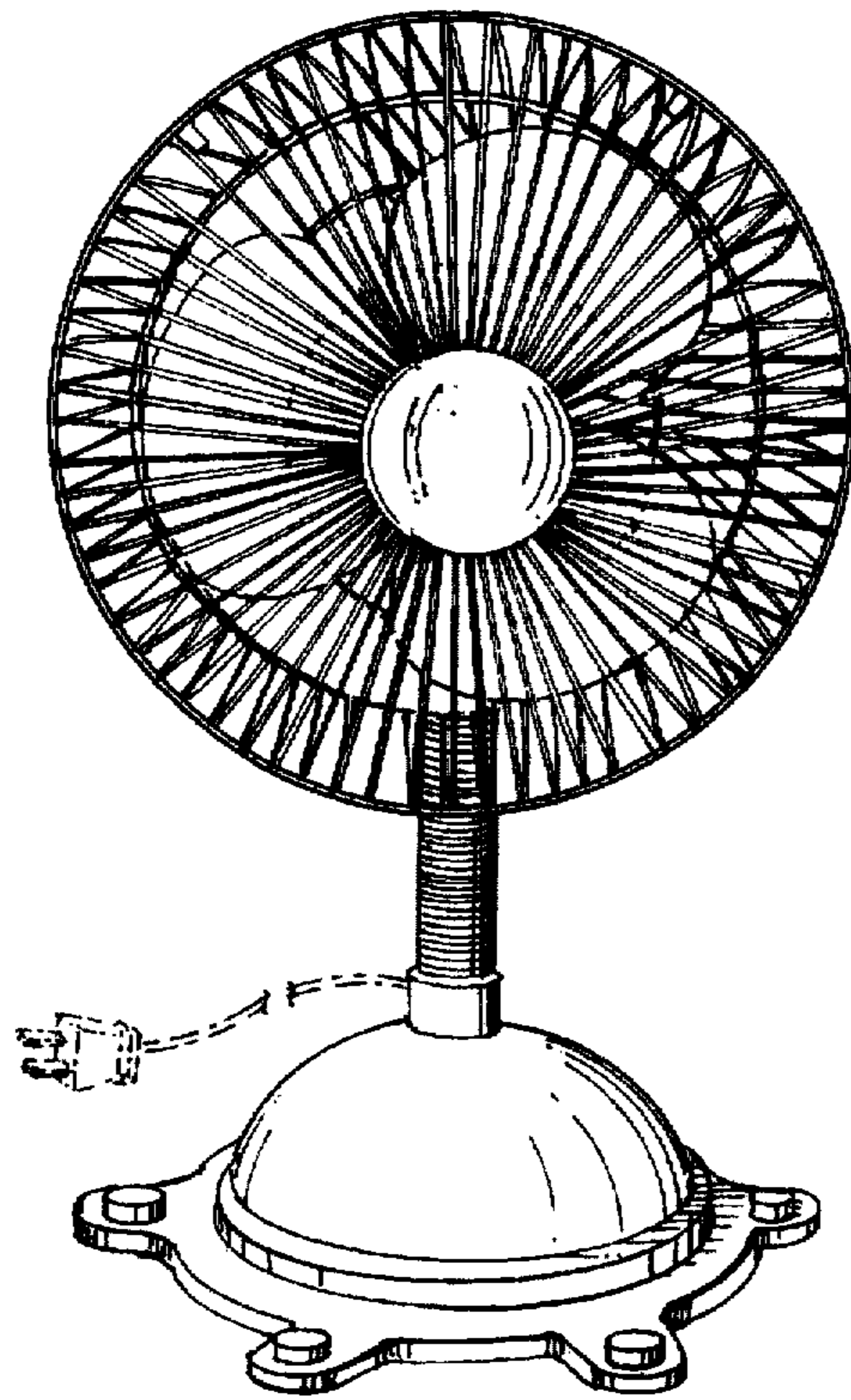


FIG. 1

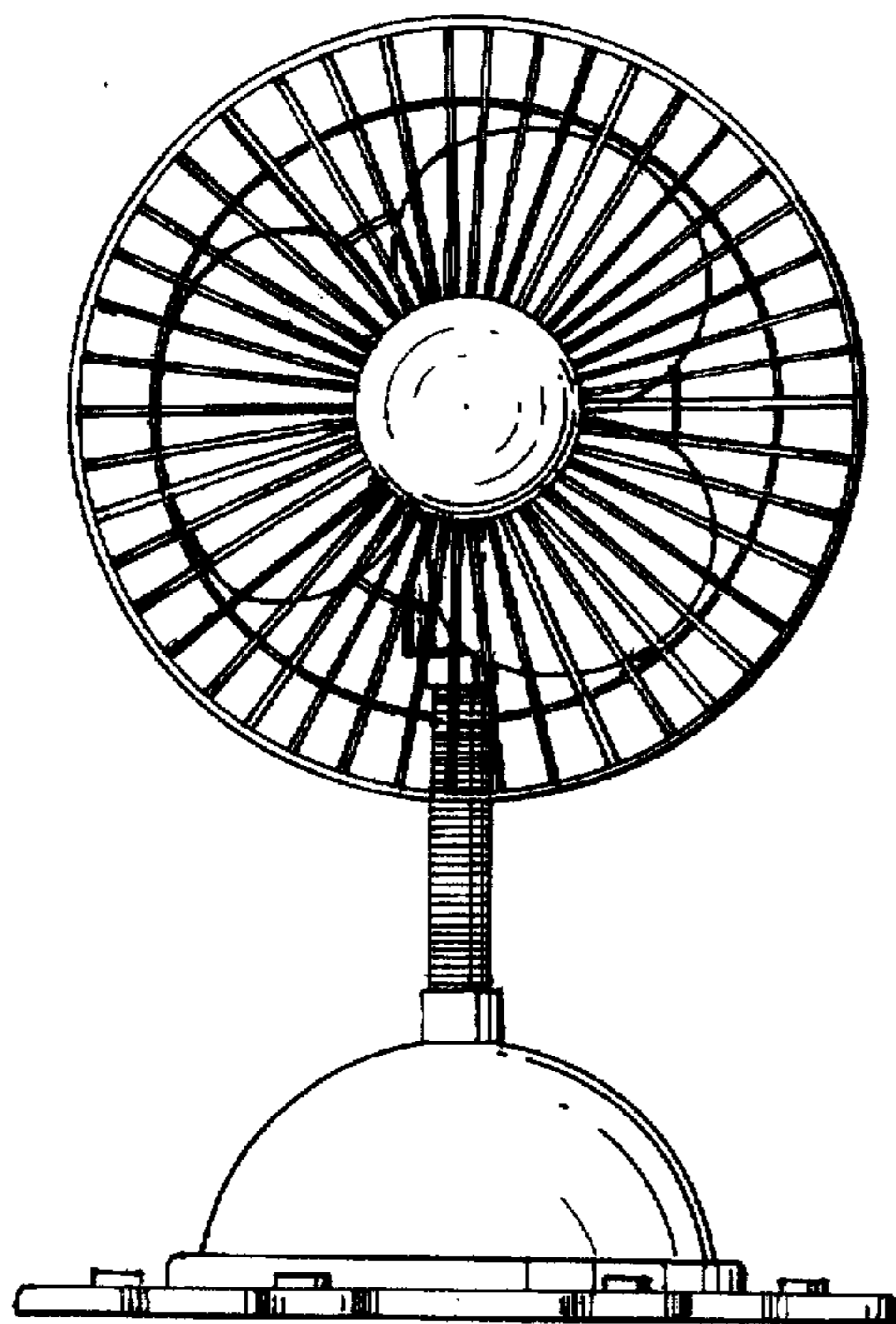


FIG. 2

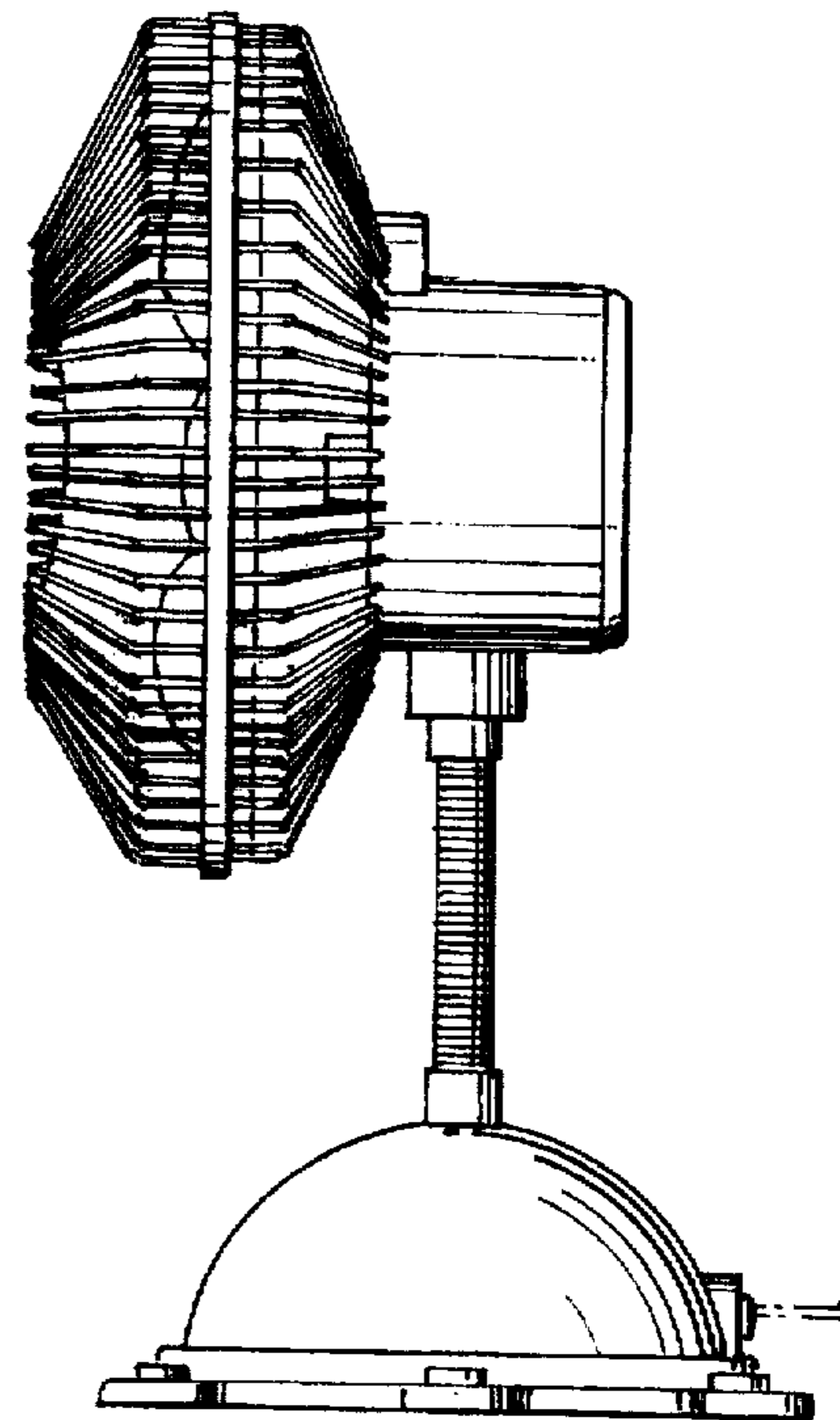


FIG. 3

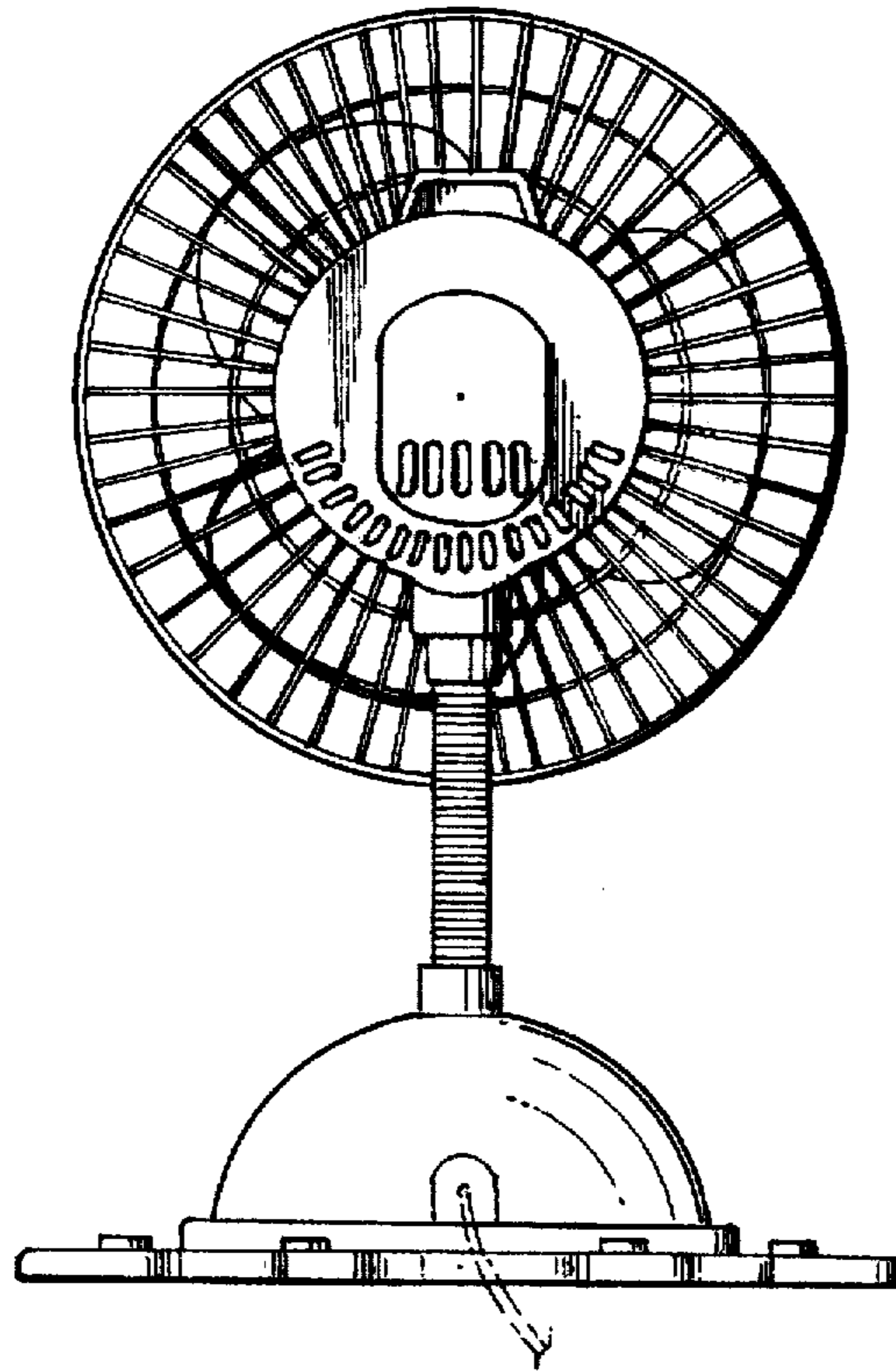


FIG. 4

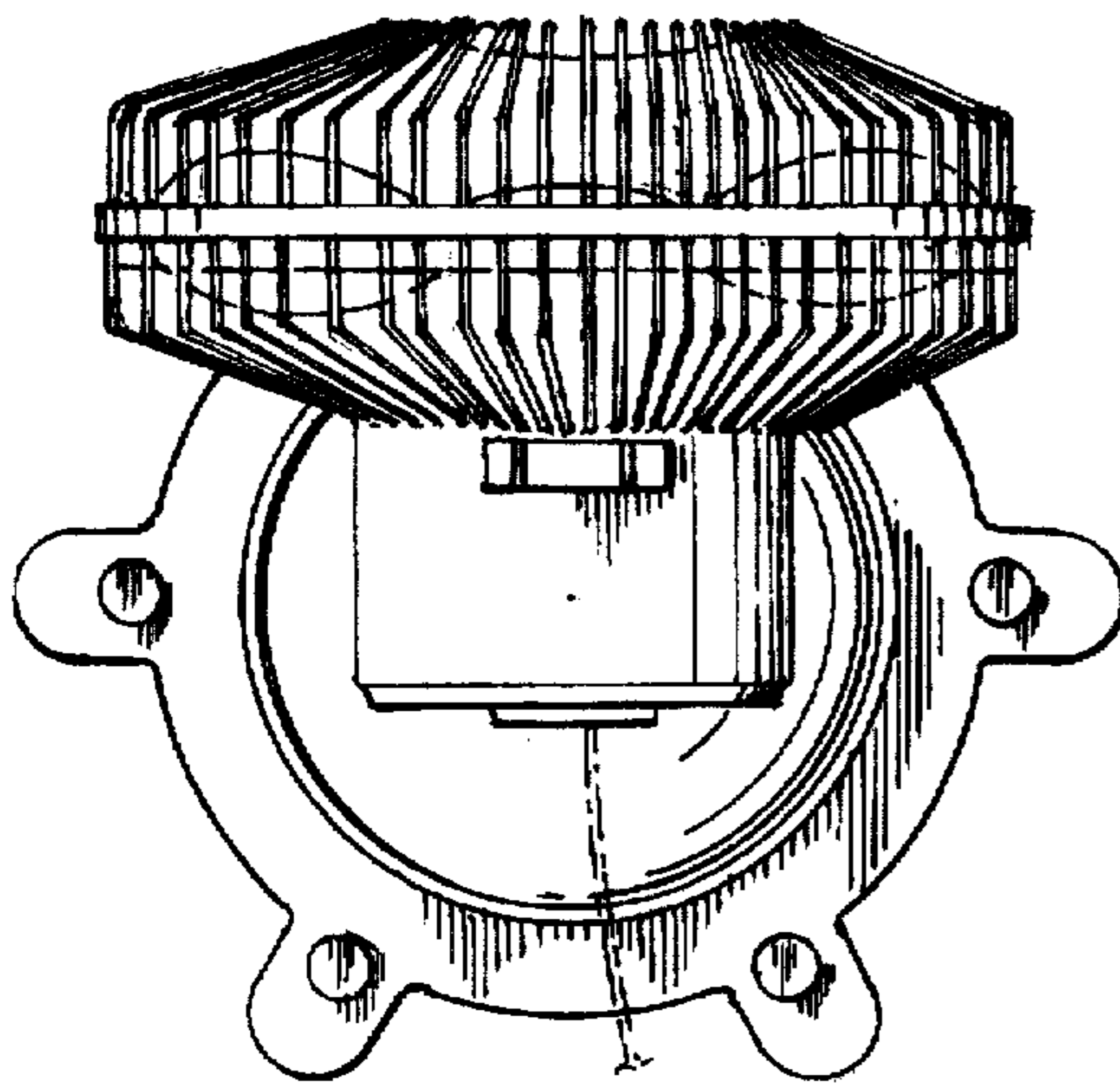


FIG. 5

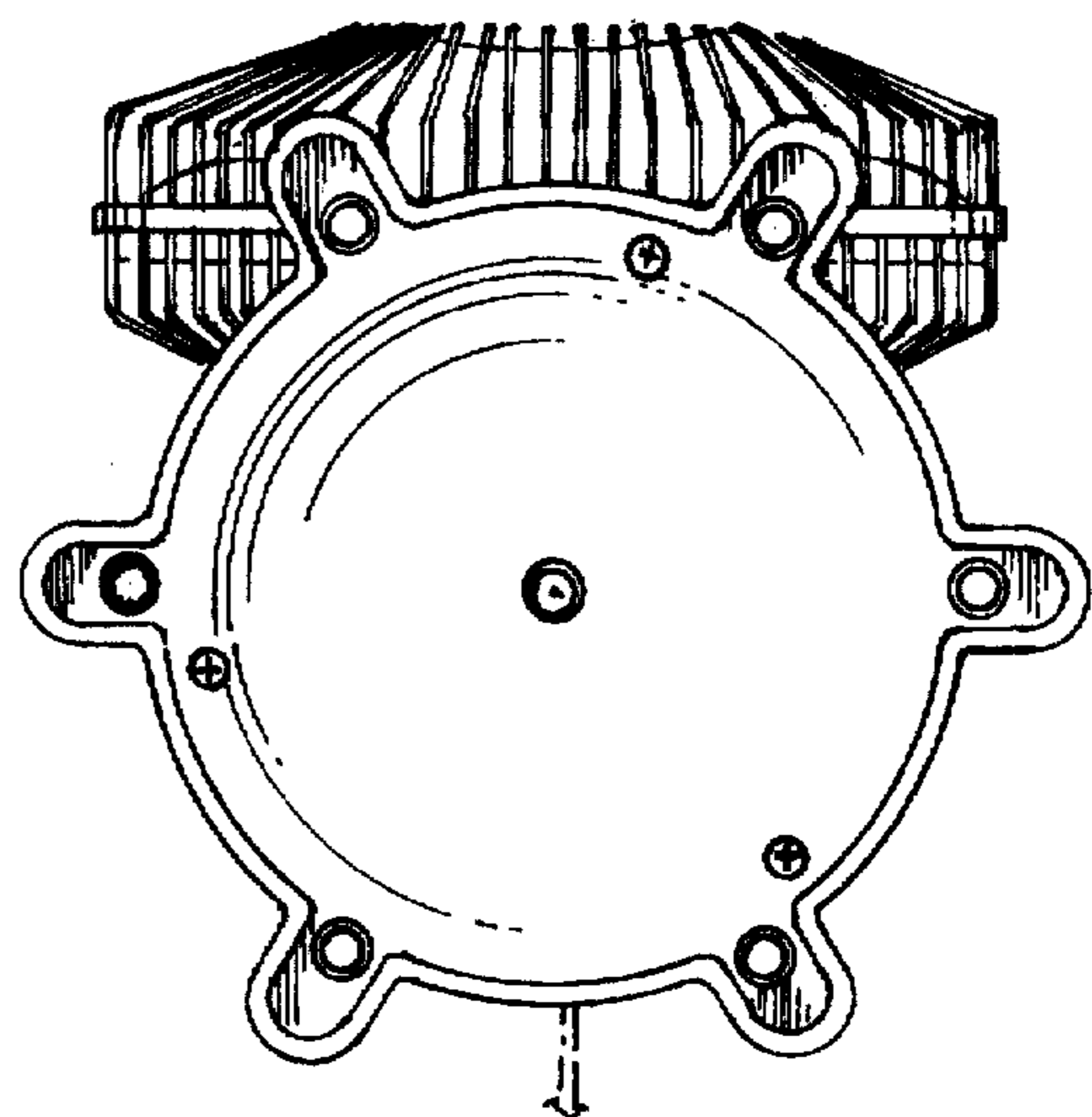


FIG. 6