



US00D387858S

United States Patent [19]
McKeone

[11] **Patent Number: Des. 387,858**

[45] **Date of Patent: **Dec. 16, 1997**

[54] **WATER CLOSET**

[75] **Inventor: William C. McKeone, Sheboygan, Wis.**

[73] **Assignee: Kohler Co., Kohler, Wis.**

[**] **Term: 14 Years**

[21] **Appl. No.: 63,048**

[22] **Filed: Nov. 25, 1996**

[51] **LOC (6) Cl. 23-02**

[52] **U.S. Cl. D23/301**

[58] **Field of Search D23/295, 298,
D23/299, 300, 301; 4/353, 421, 424, 428,
430**

[56] **References Cited**

U.S. PATENT DOCUMENTS

D. 80,721	3/1930	Crane, II .	
D. 268,780	4/1983	Domos et al.	D23/301
D. 310,559	9/1990	Cors	D23/295
D. 311,243	10/1990	Vaupel et al.	D23/301
D. 323,381	1/1992	McKeone et al.	D23/313
D. 323,880	2/1992	McKeone et al.	D23/295
D. 353,229	12/1994	Trigoboff et al.	D23/301 X
D. 370,720	6/1996	Kaiser	D23/301

OTHER PUBLICATIONS

Undated J.C. Penney ad showing a toilet base, admitted prior art.

Undated Delta catalog ad showing a "4100" toilet, admitted prior art.

Undated Eljer catalog ad showing "Canterbury Suite" toilet, admitted prior art.

Primary Examiner—Louis S. Zarfes
Assistant Examiner—Eric Watterson
Attorney, Agent, or Firm—Quarles & Brady

[57] **CLAIM**

The ornamental design for a water closet, as shown and described.

DESCRIPTION

FIG. 1 is a left, top, front perspective view of a water closet embodying my new design;

FIG. 2 is a front elevational view thereof;

FIG. 3 is a left side elevational view thereof, the right side elevational view being a mirror of the left side shown;

FIG. 4 is a top plan view thereof;

FIG. 5 is a cross-sectional view taken along line 5—5 of FIG. 4;

FIG. 6 is a left, top, front perspective view of a second embodiment;

FIG. 7 is a front elevational view thereof;

FIG. 8 is a left side elevational view thereof, the right side elevational view being a mirror image of the left side shown;

FIG. 9 is a top plan view thereof;

FIG. 10 is a cross-sectional view taken along line 10—10 of FIG. 9;

FIG. 11 is a left, top, front perspective view of a third embodiment;

FIG. 12 is a front elevational view thereof;

FIG. 13 is a left side elevational view thereof, the right side elevational view being a mirror image of the left side shown;

FIG. 14 is a top plan view thereof;

FIG. 15 is a cross-sectional view taken along line 15—15 of FIG. 14;

FIG. 16 is a left, top, front perspective view of a fourth embodiment;

FIG. 17 is a front elevational view thereof;

FIG. 18 is a left side elevational view thereof, the right side elevational view being a mirror image of the left side shown;

FIG. 19 is a top plan view thereof; and,

FIG. 20 is a cross-sectional view taken along line 20—20 of FIG. 19.

The broken line representations of holes in FIGS. 1, 2, 4, 6, 7, 9, 11, 12, 14, 16, 17, and 19 are for purposes of illustration only, and form no part of the claimed design.

1 Claim, 12 Drawing Sheets

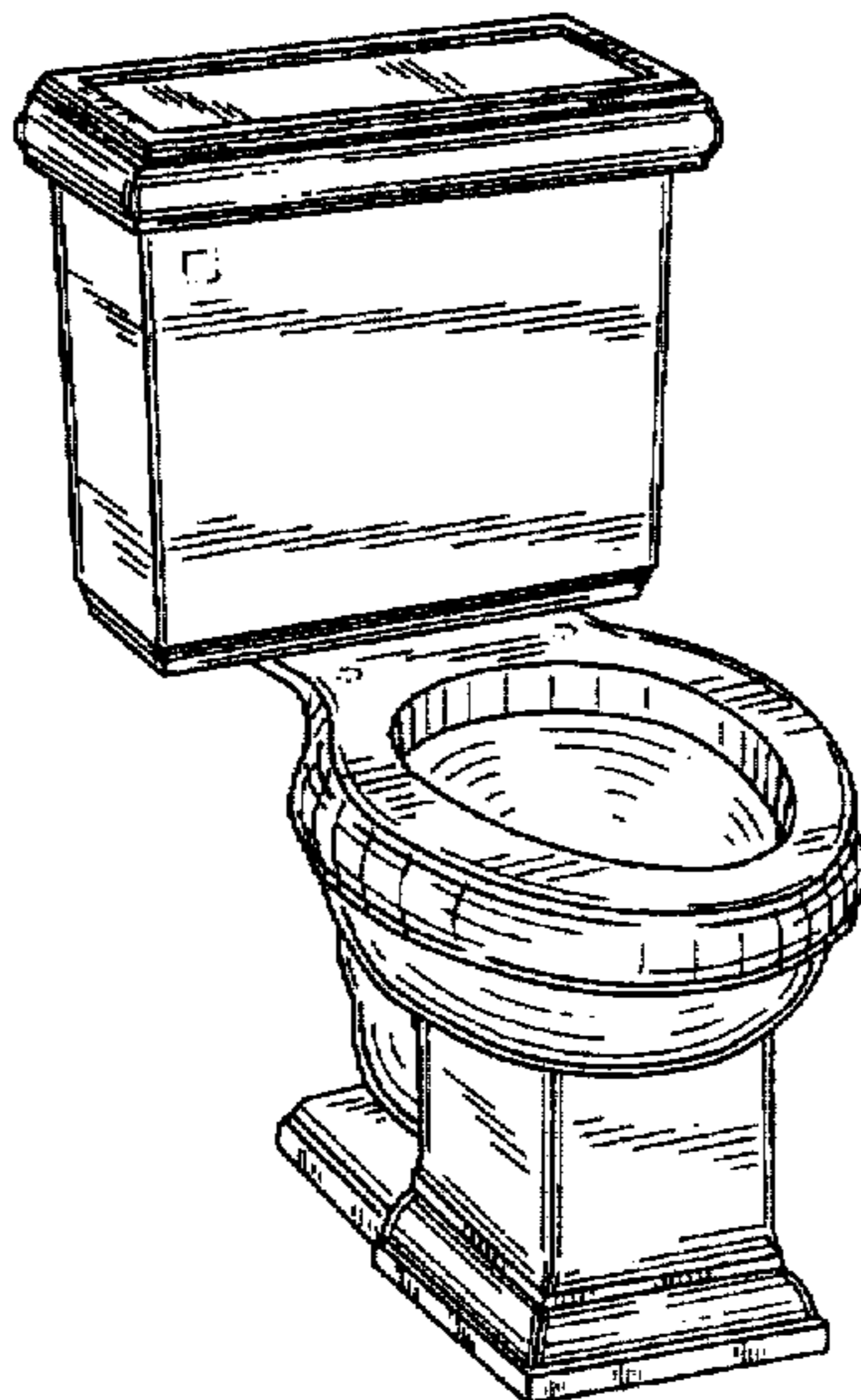


FIG. 1

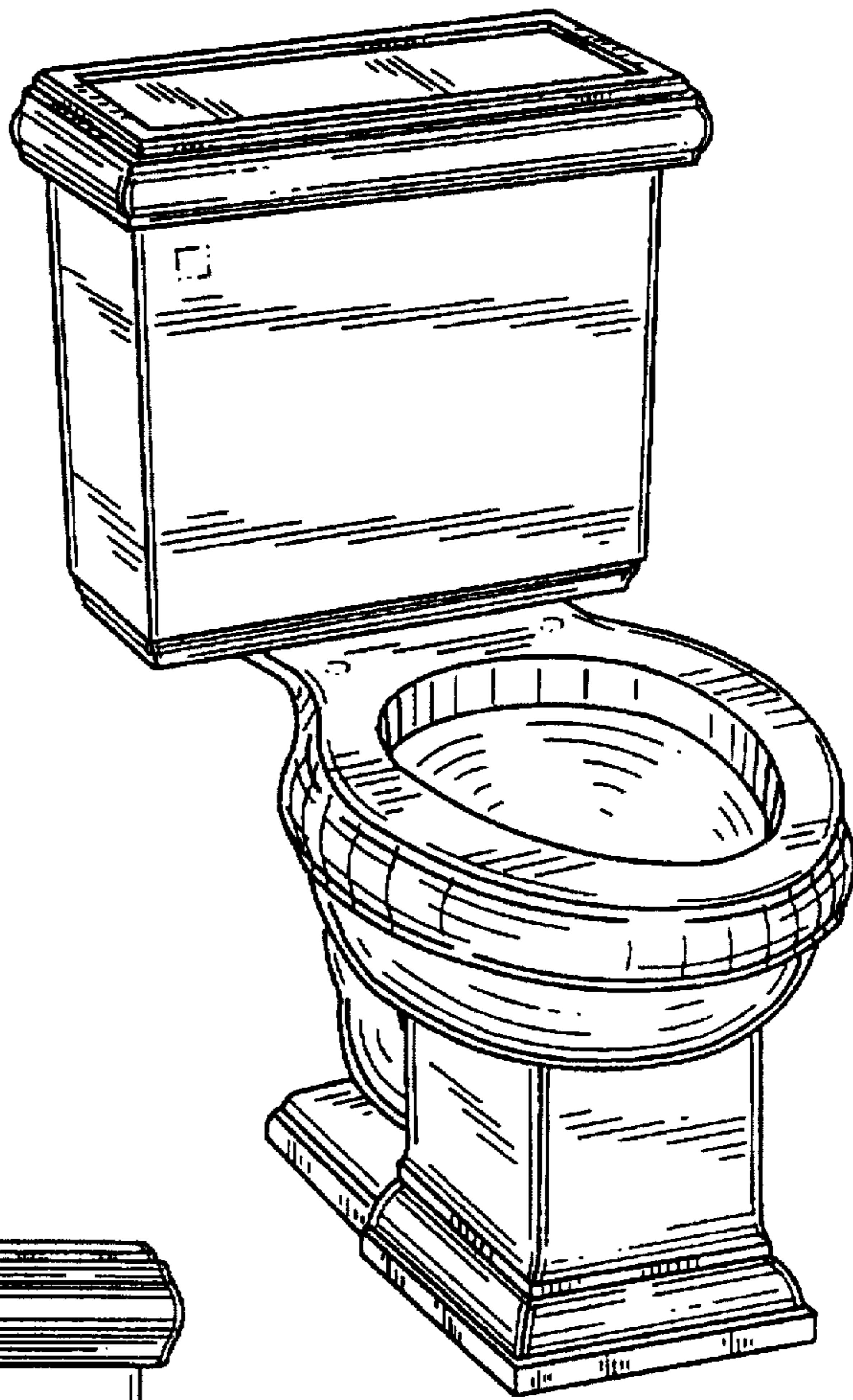
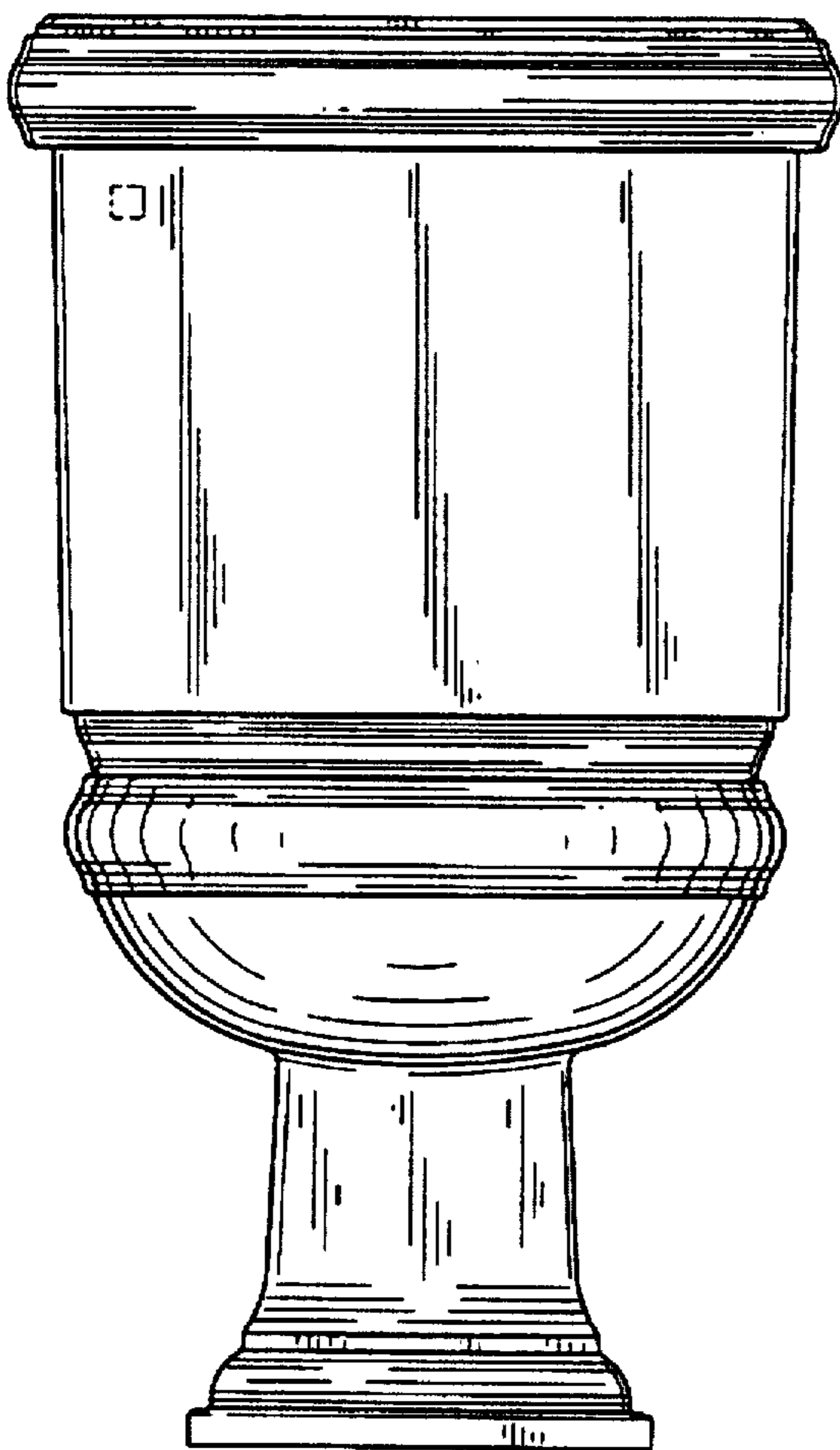


FIG. 2



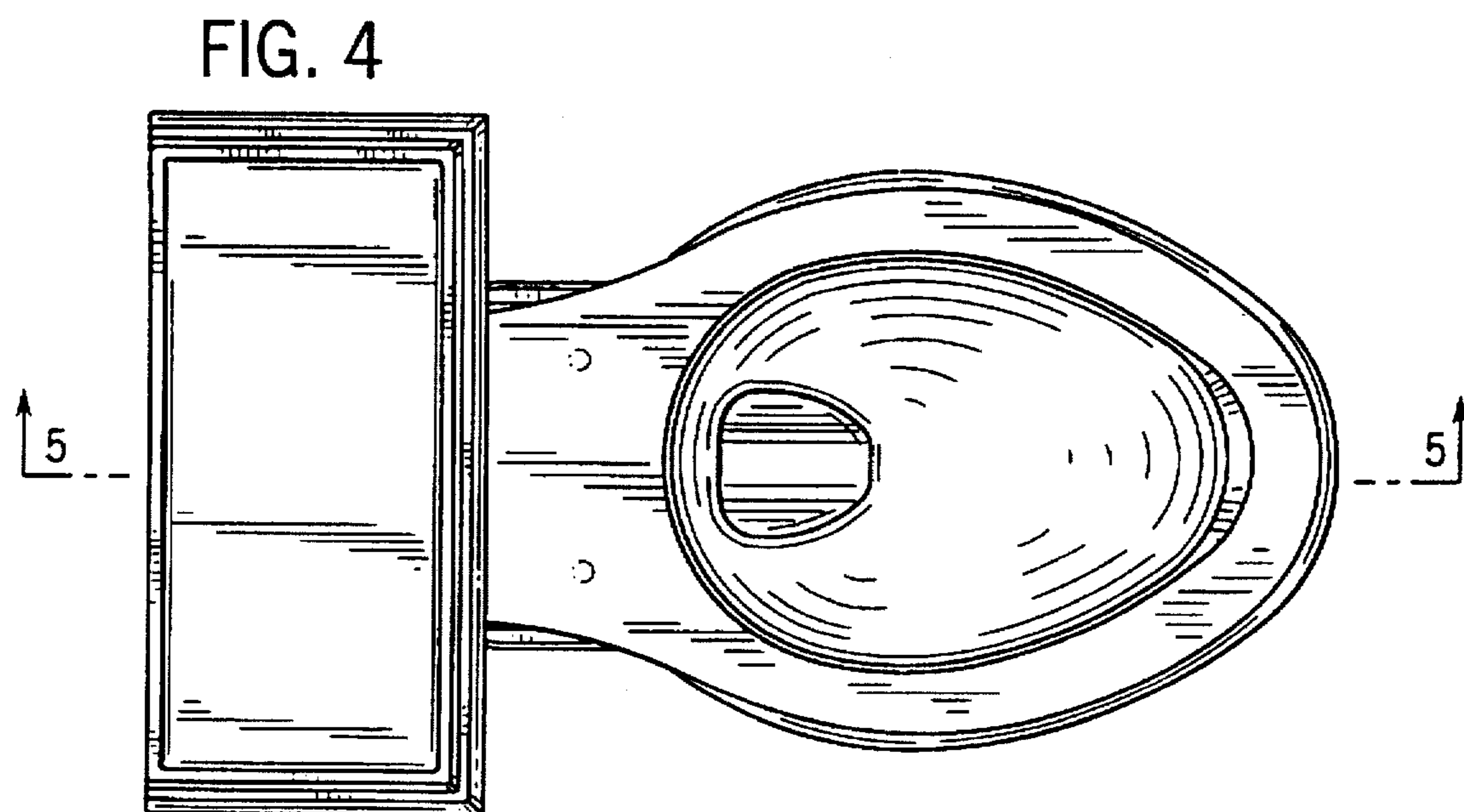
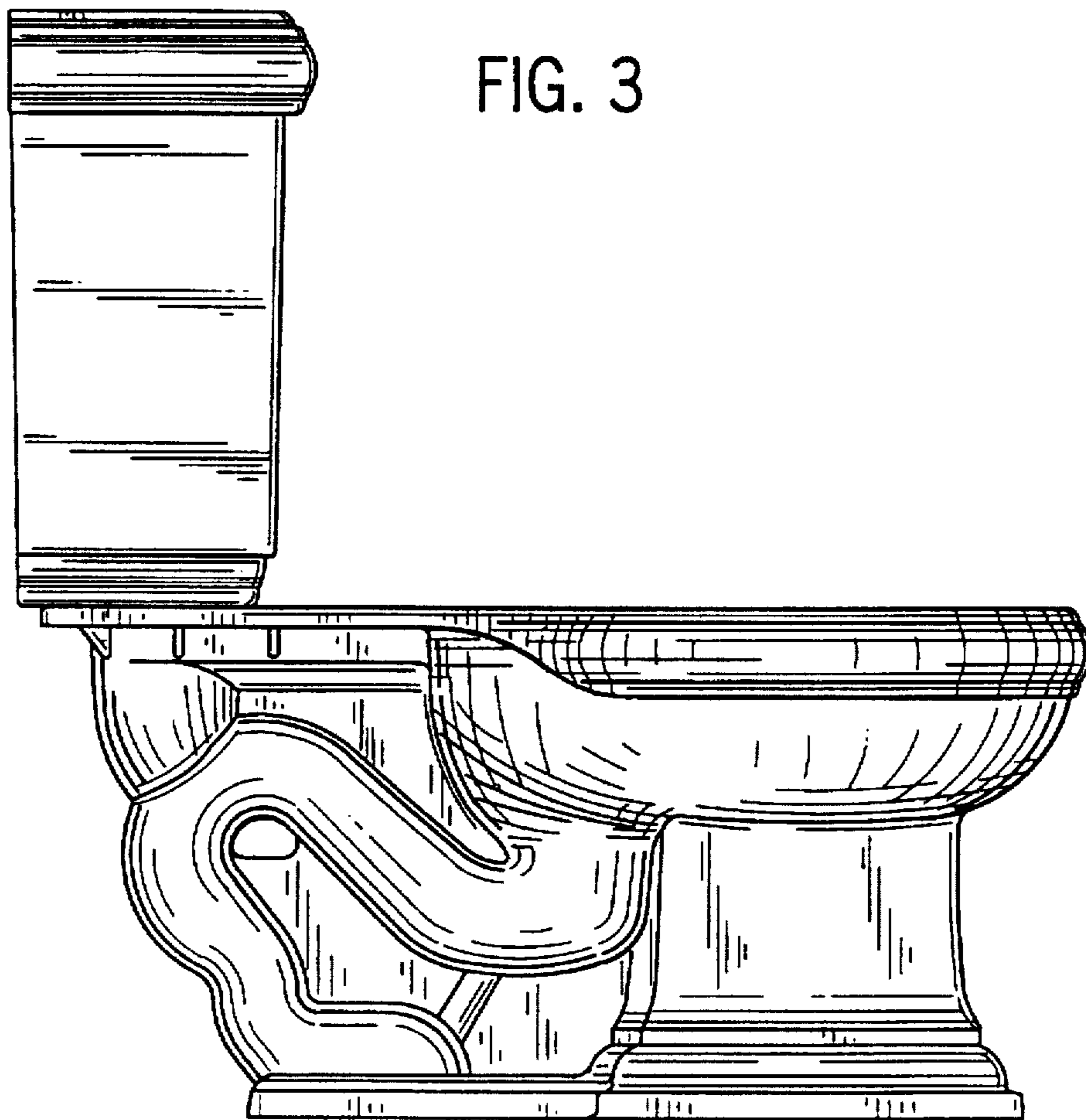


FIG. 5

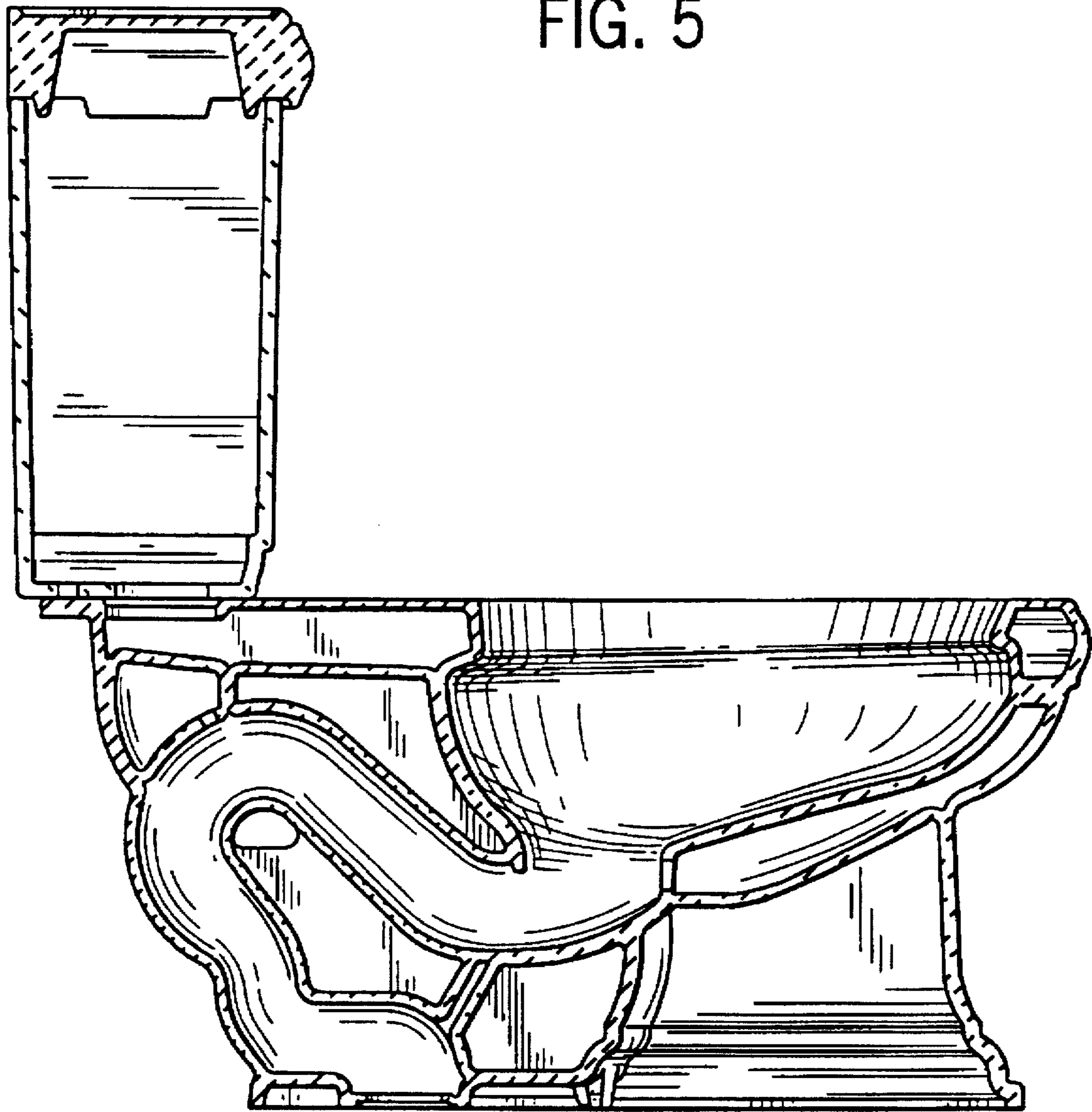


FIG. 6

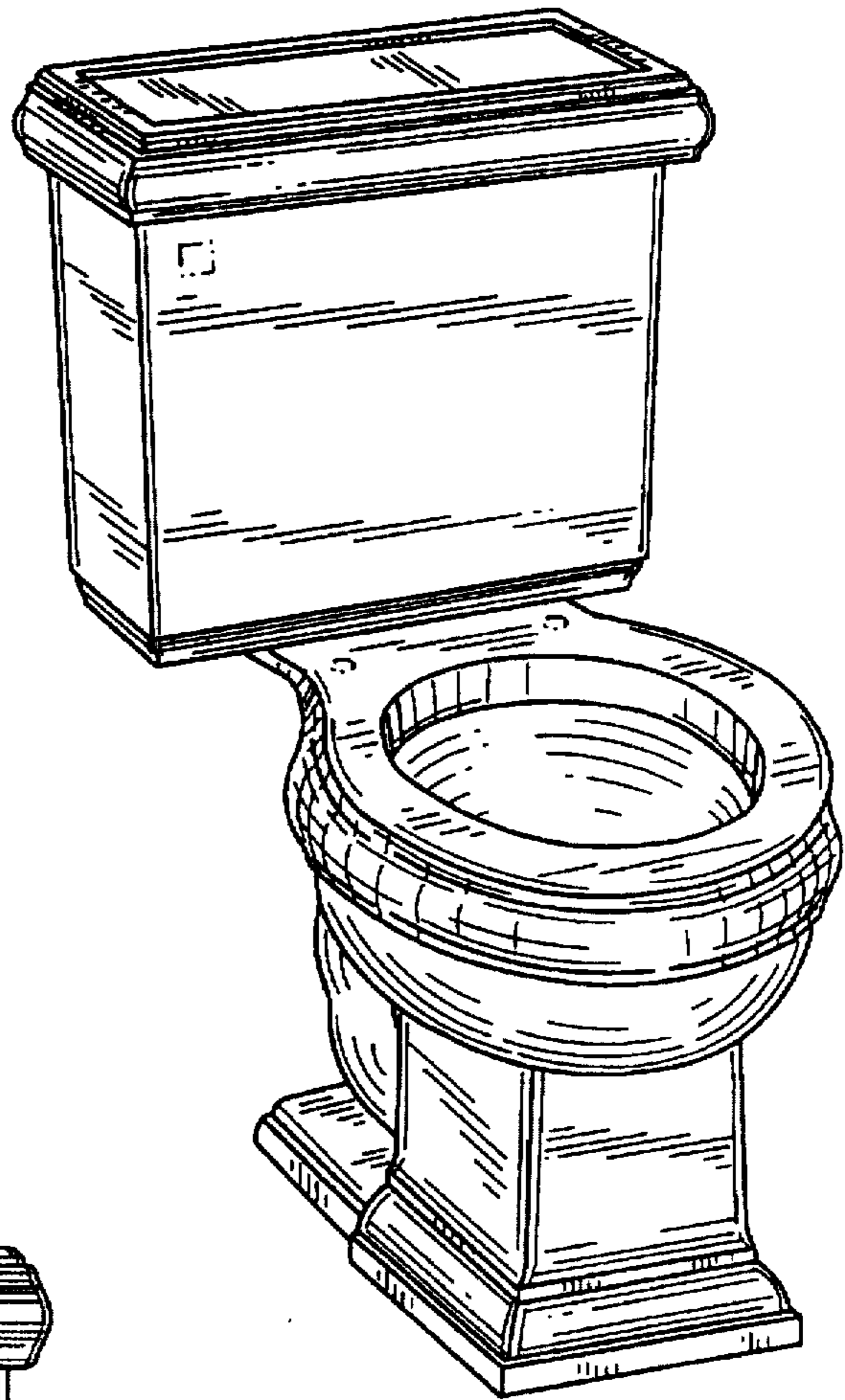


FIG. 7

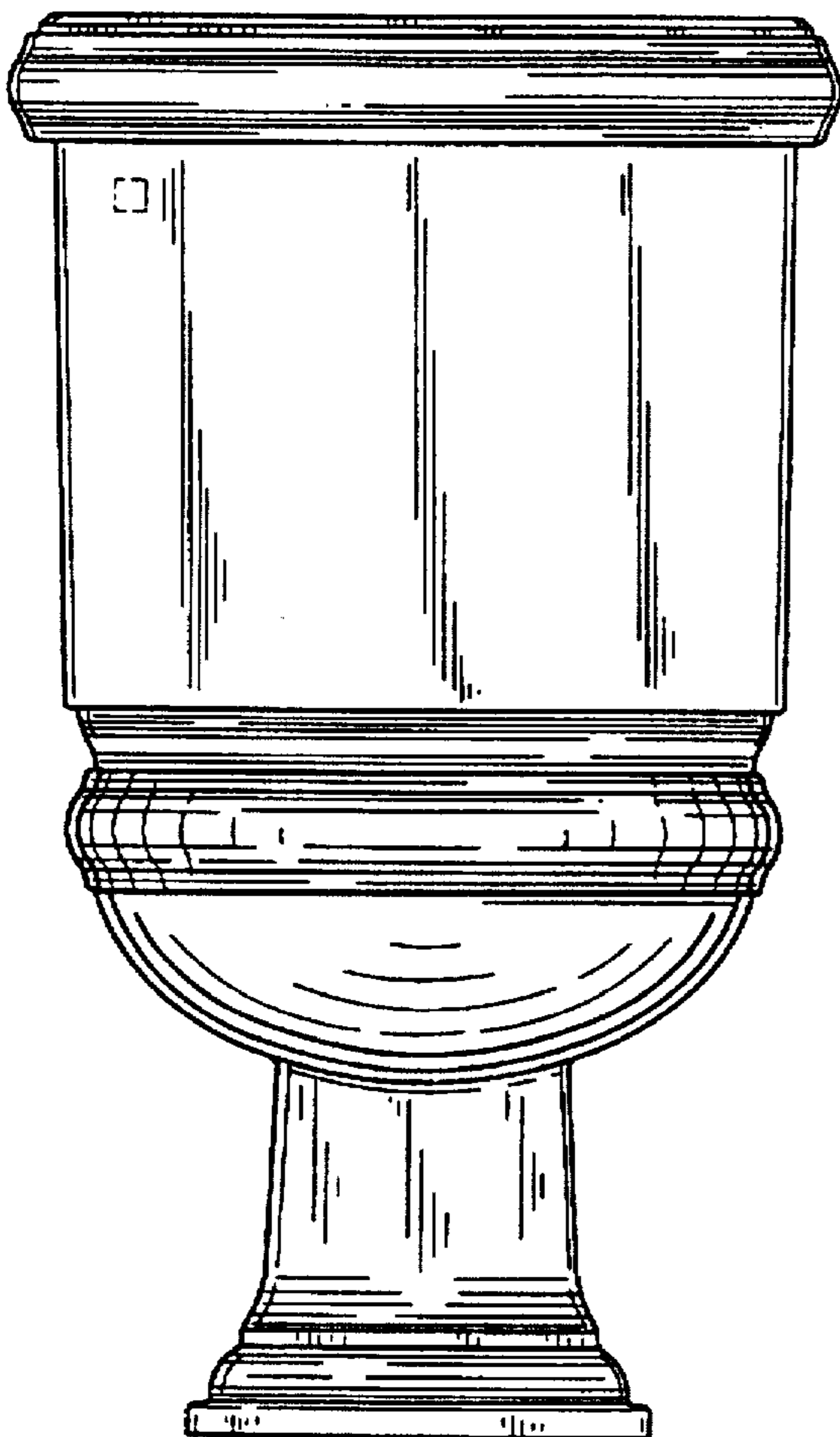


FIG. 8

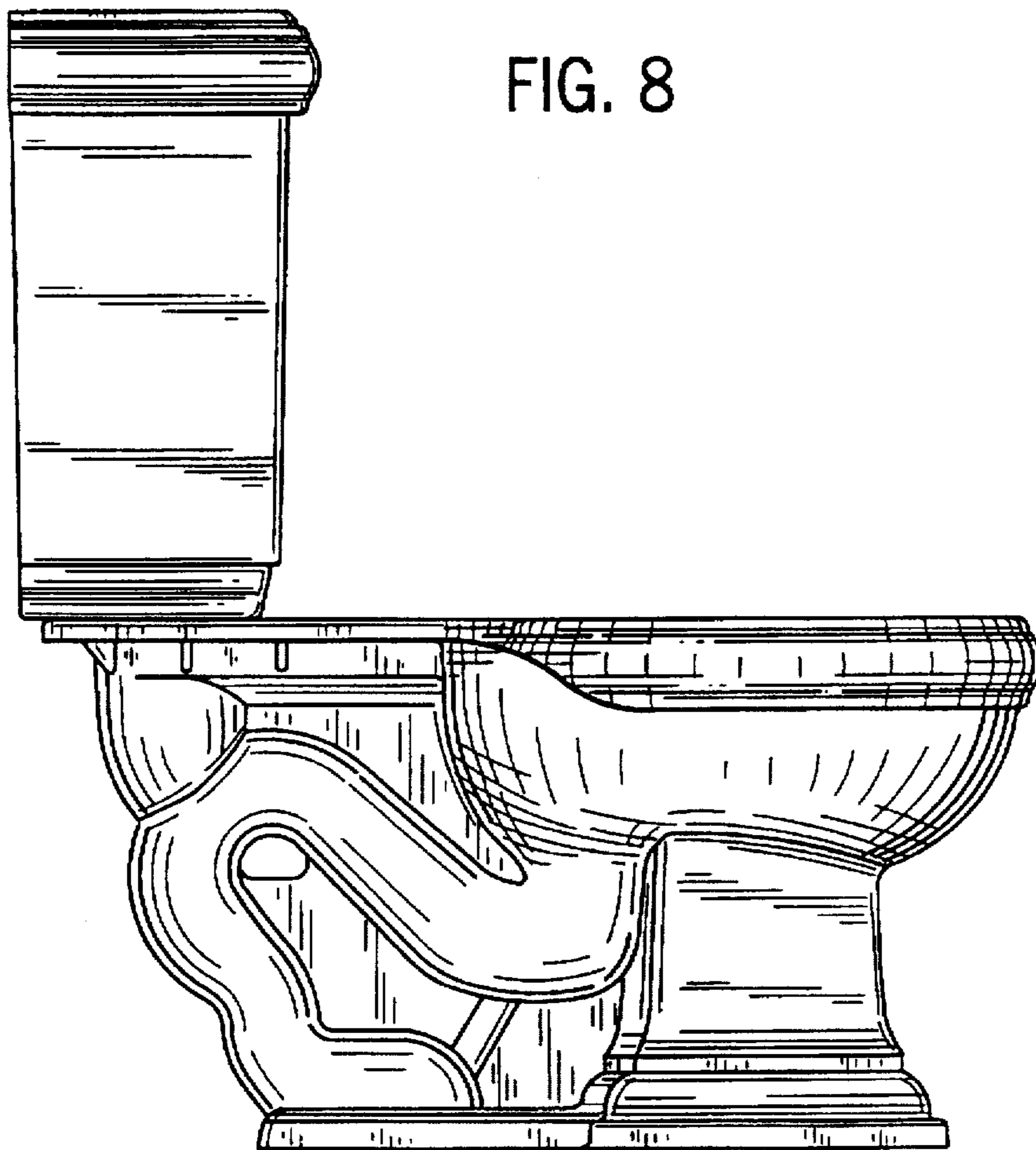


FIG. 9

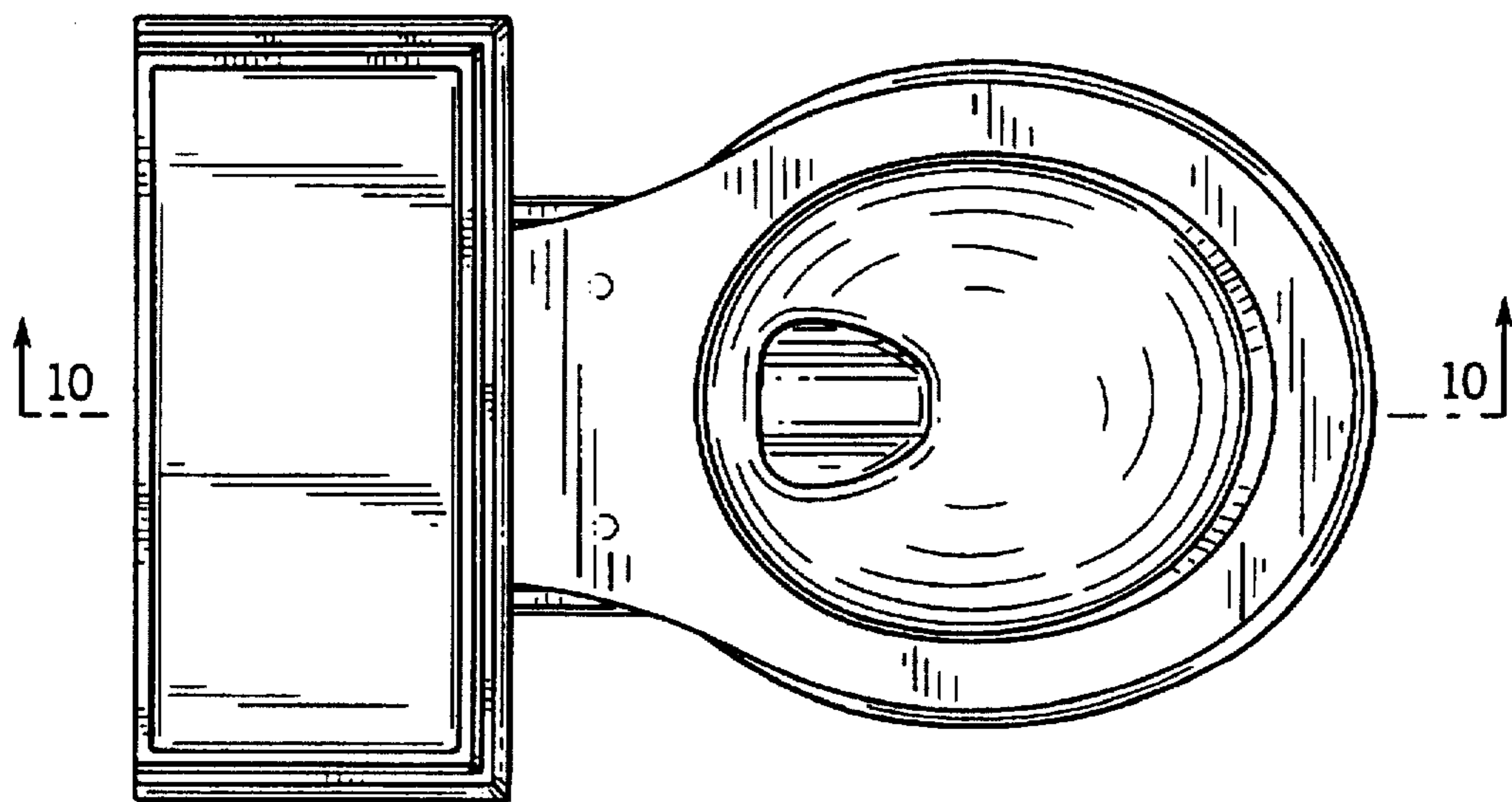


FIG. 10

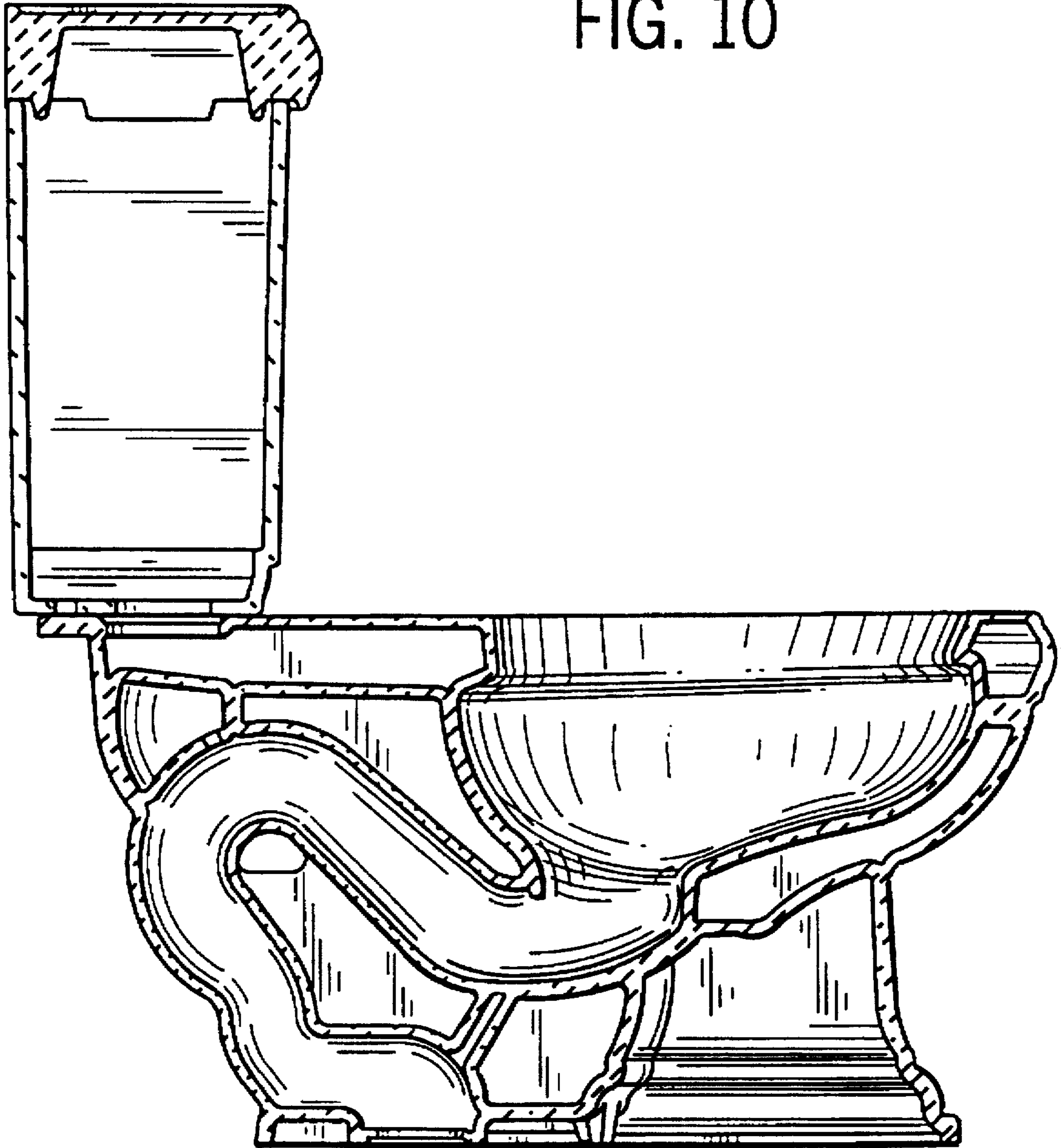


FIG. 11

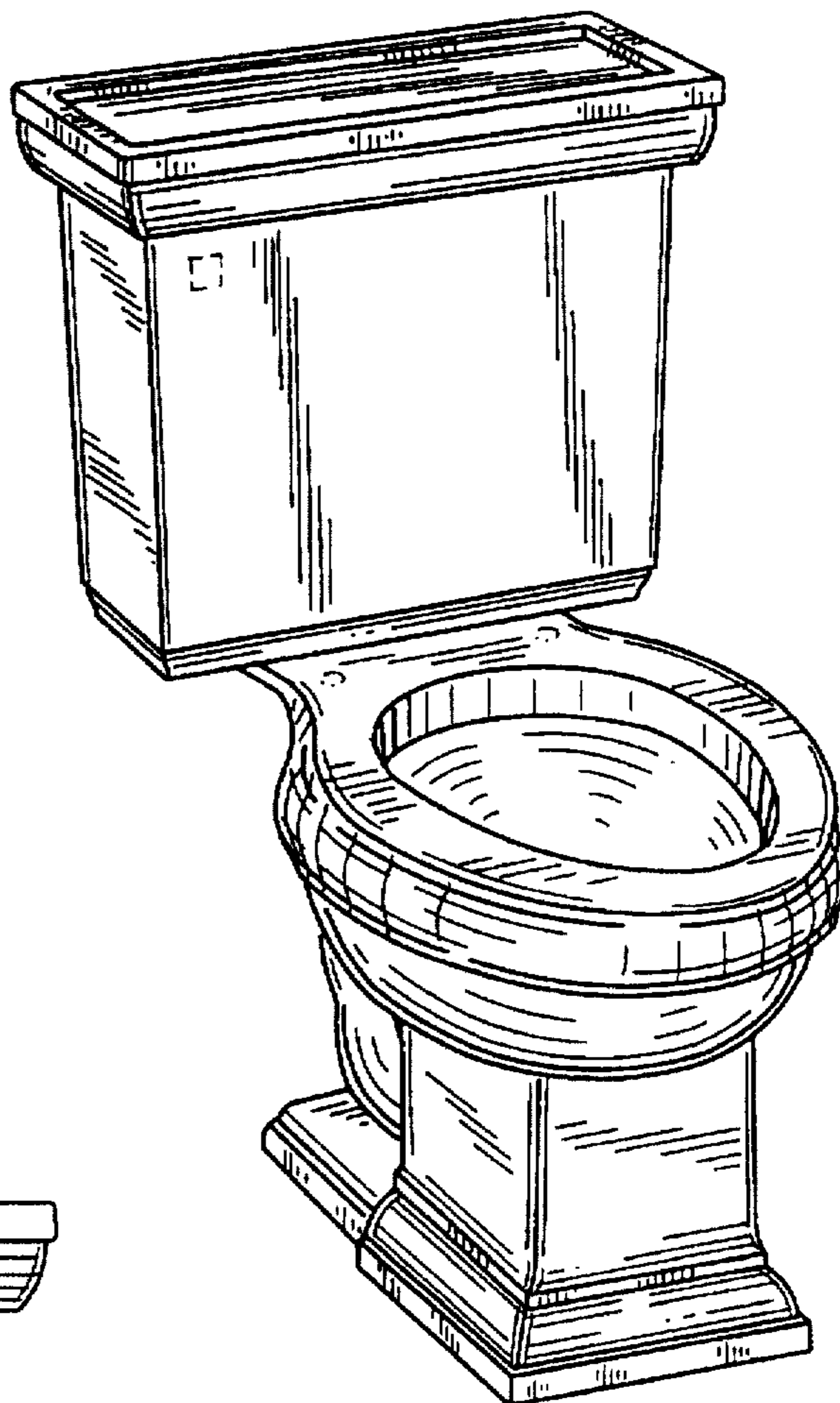
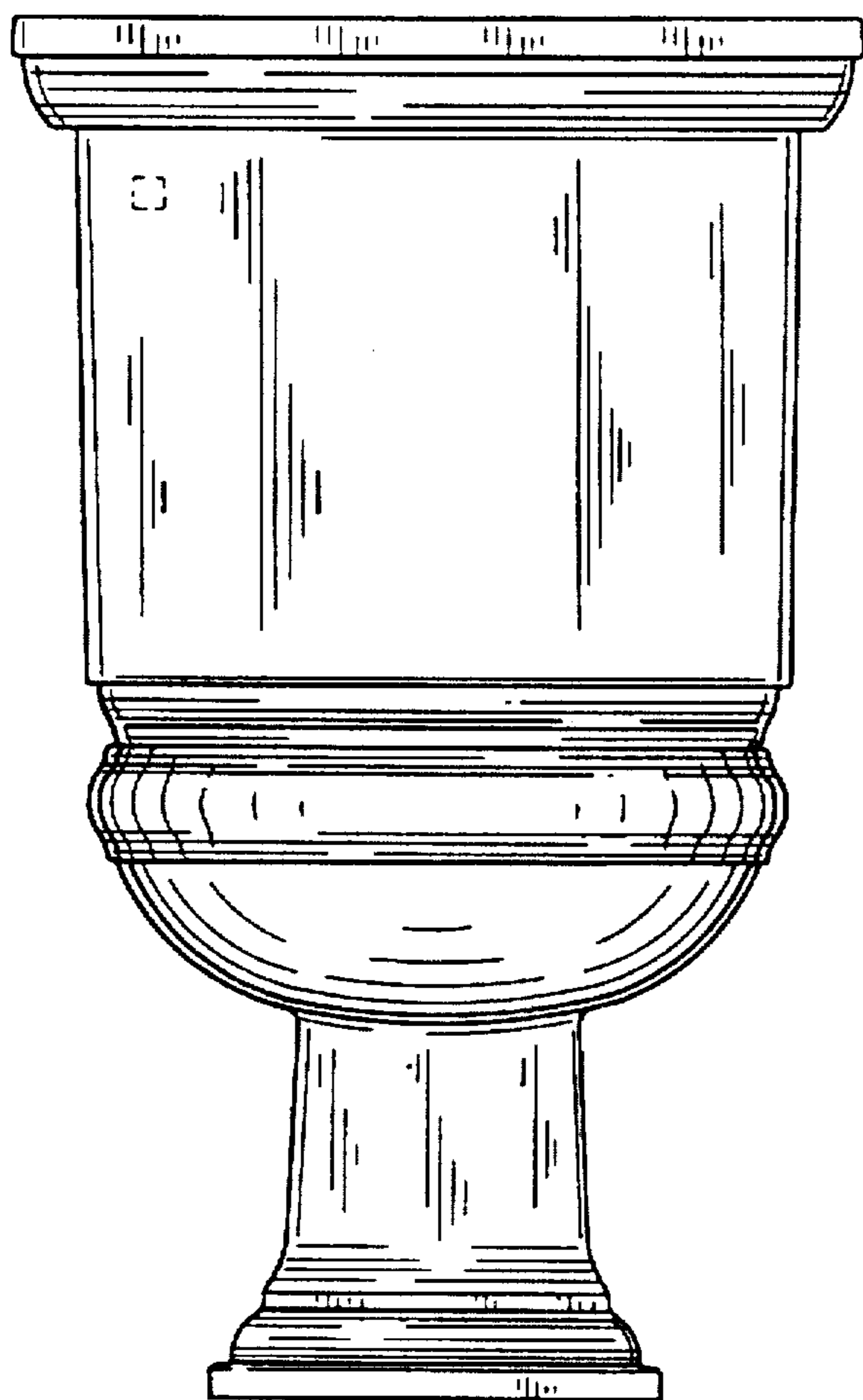


FIG. 12



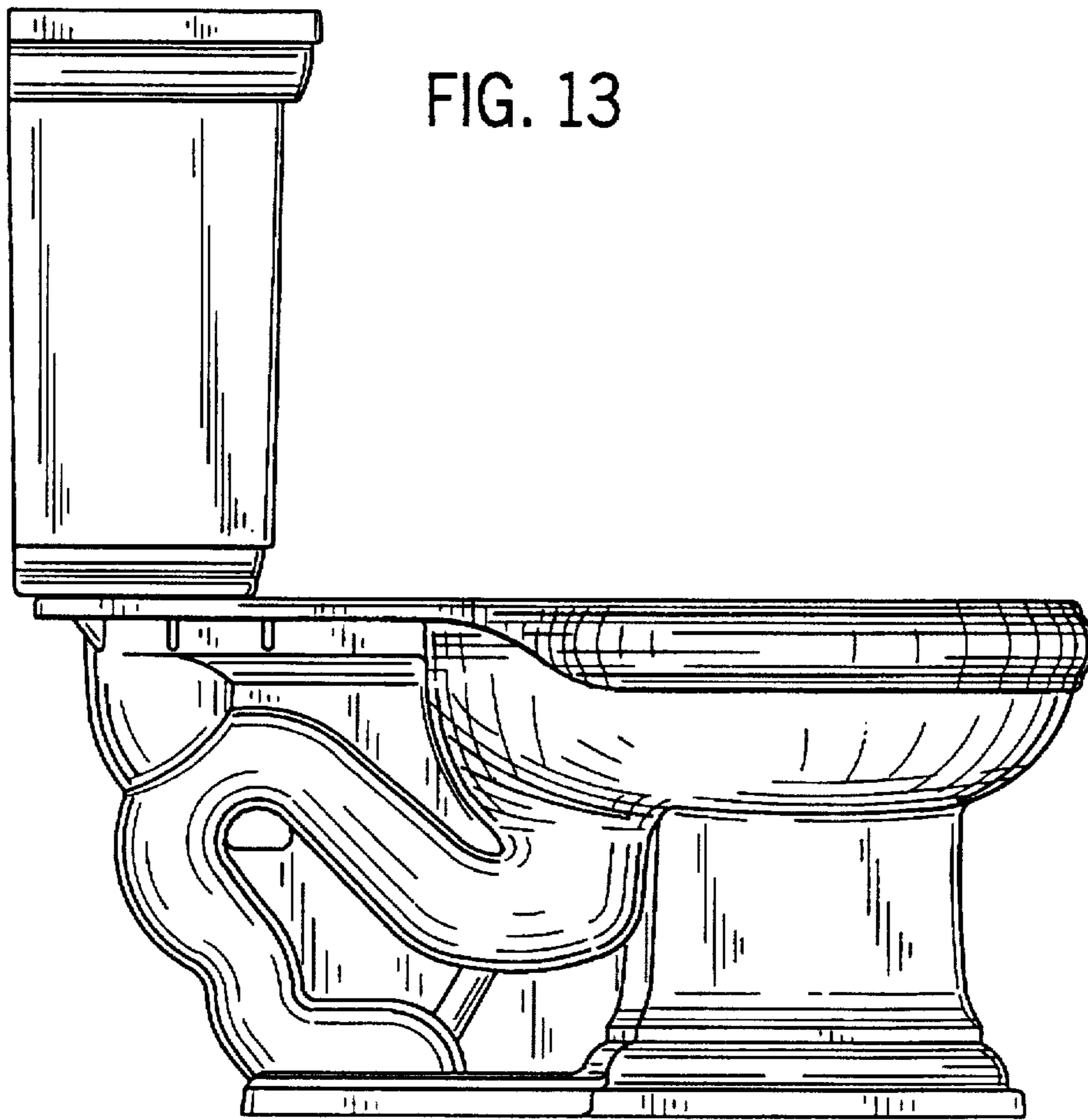


FIG. 14

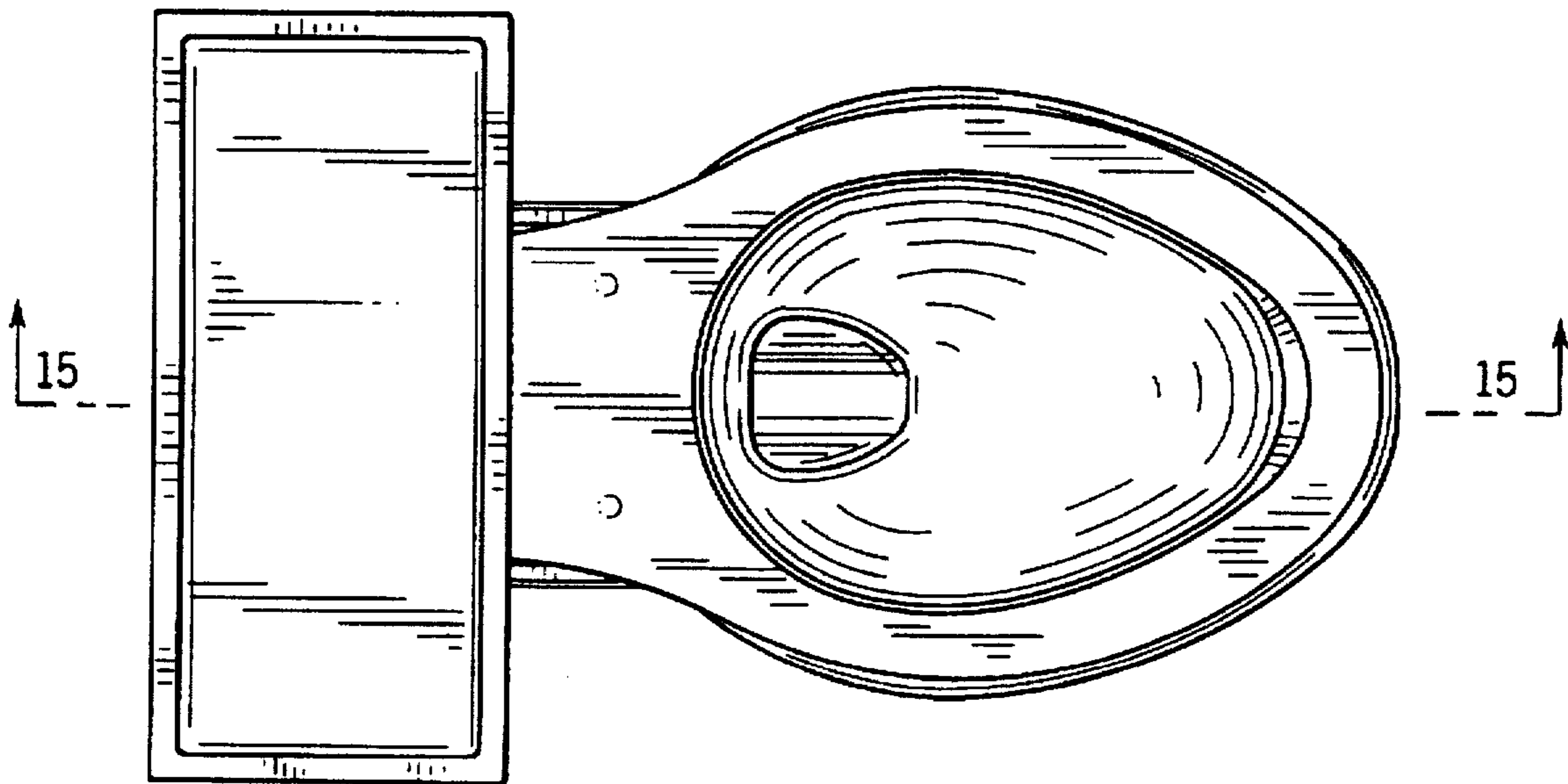


FIG. 15

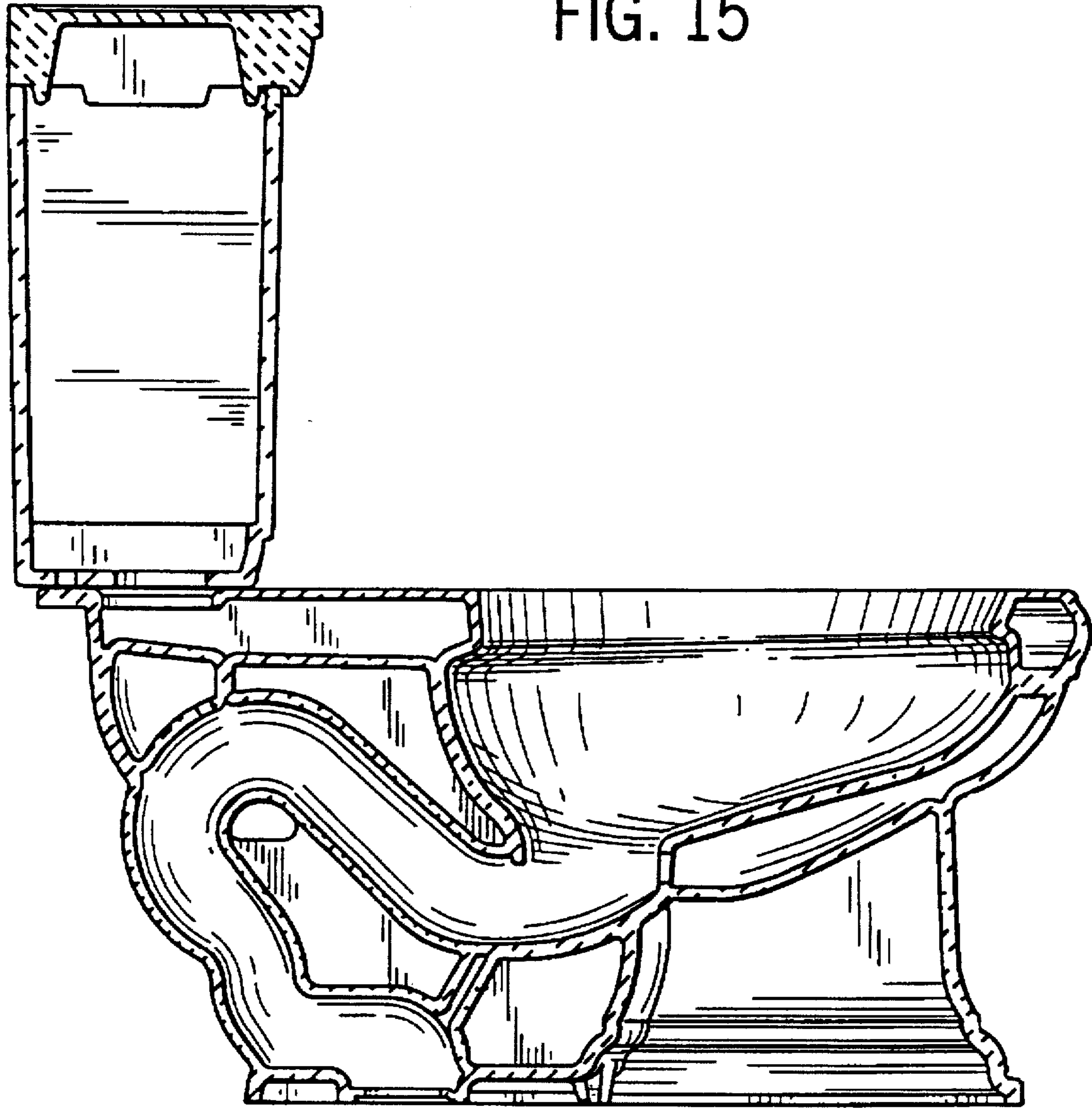


FIG. 16

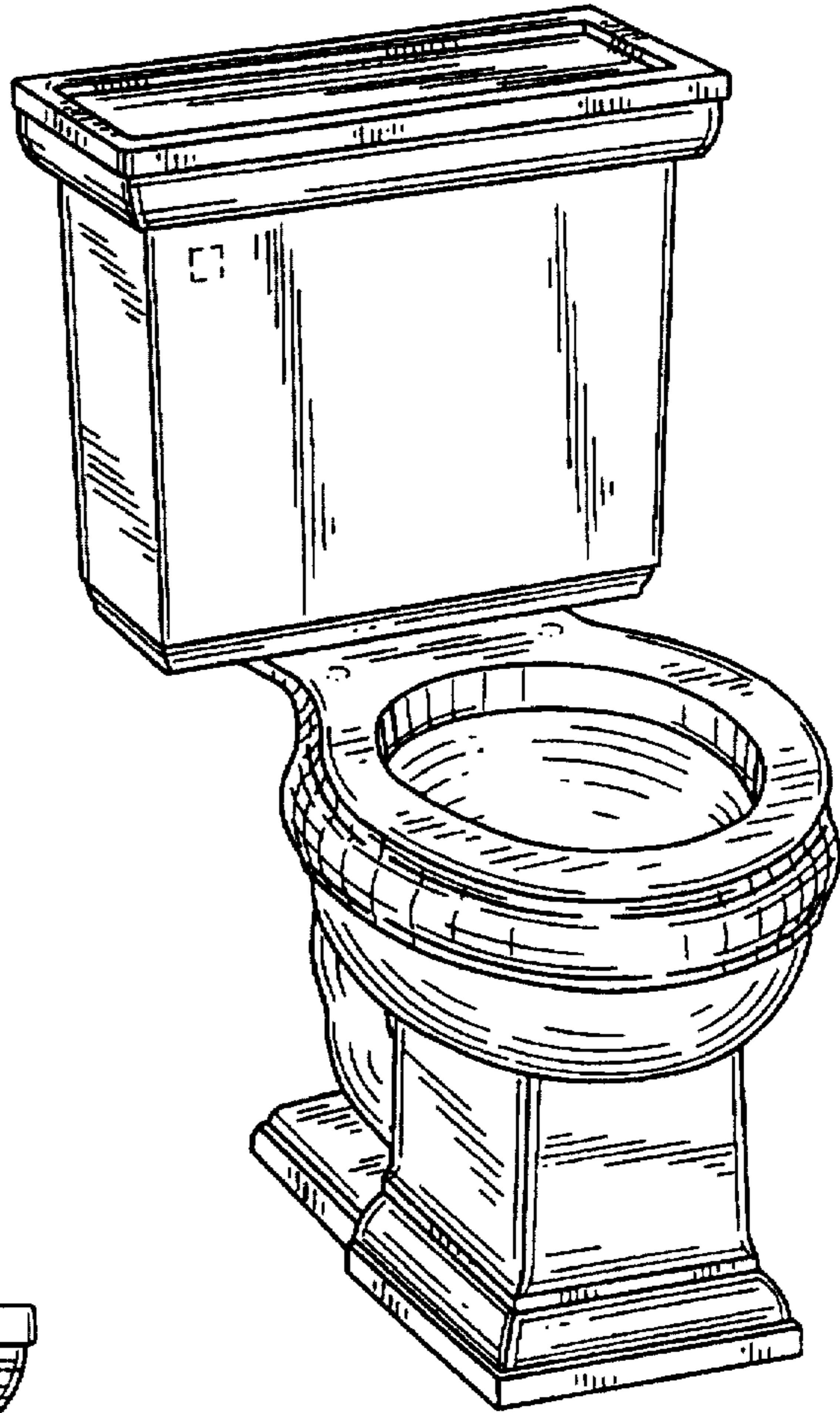


FIG. 17

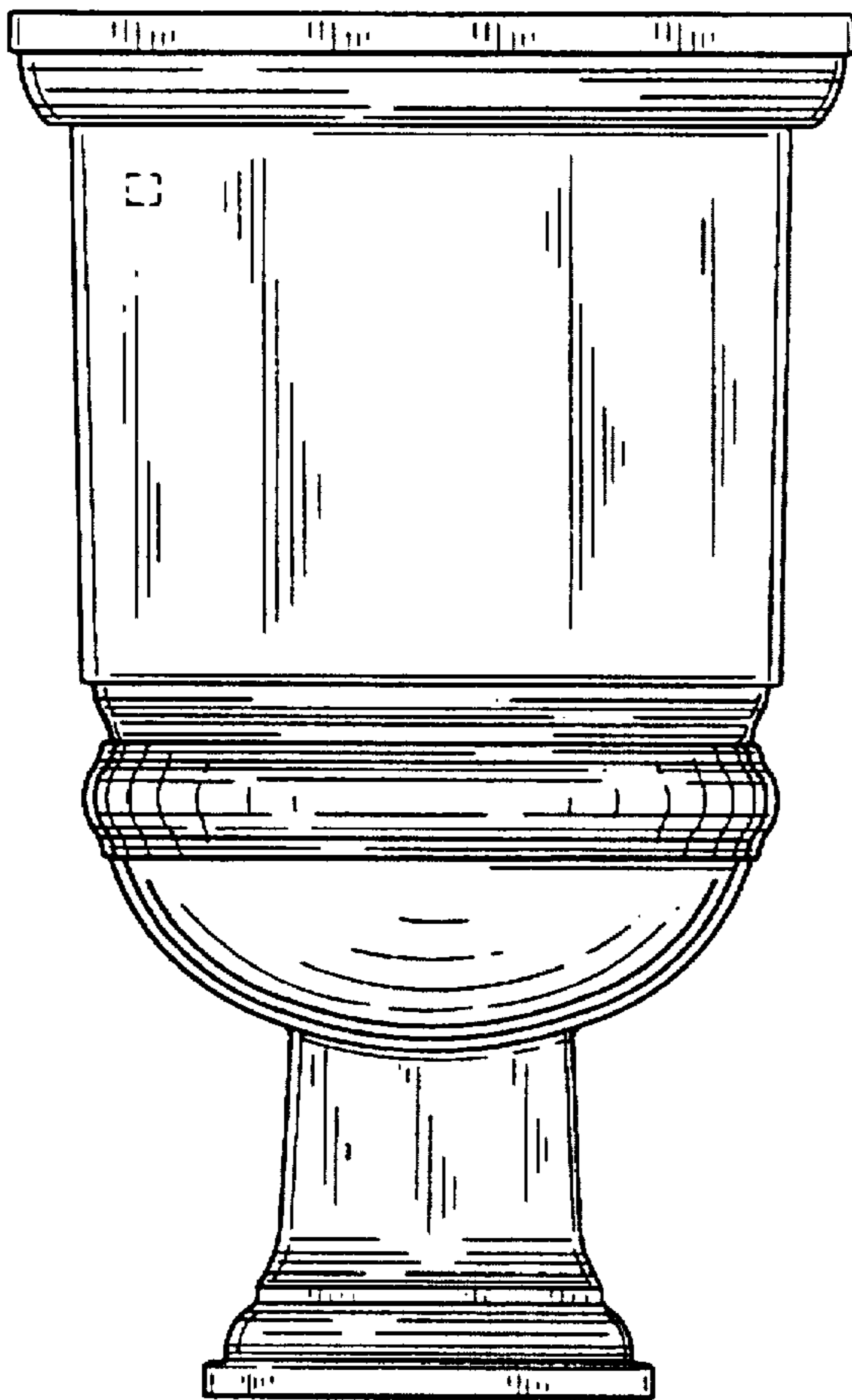


FIG. 18

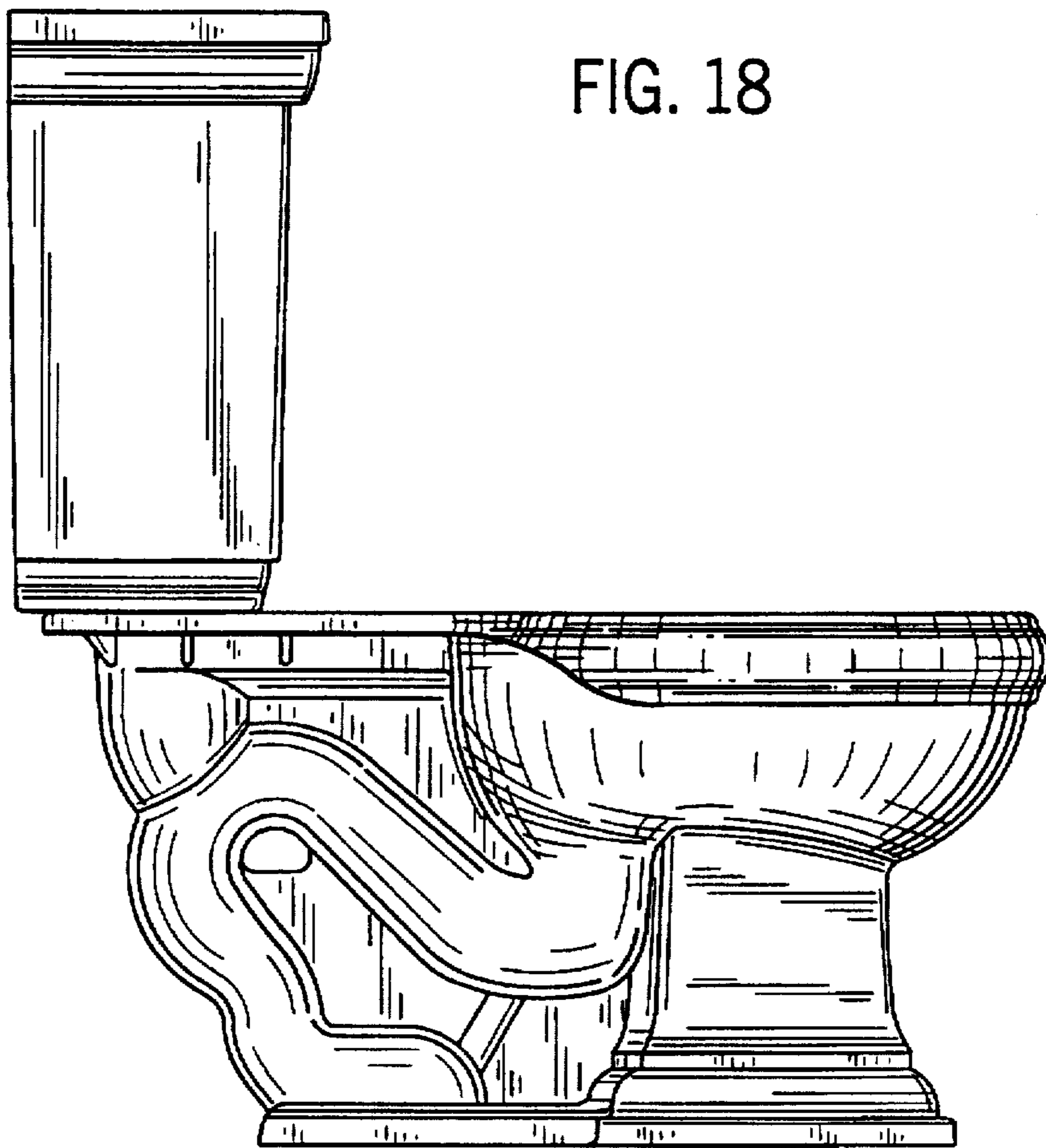
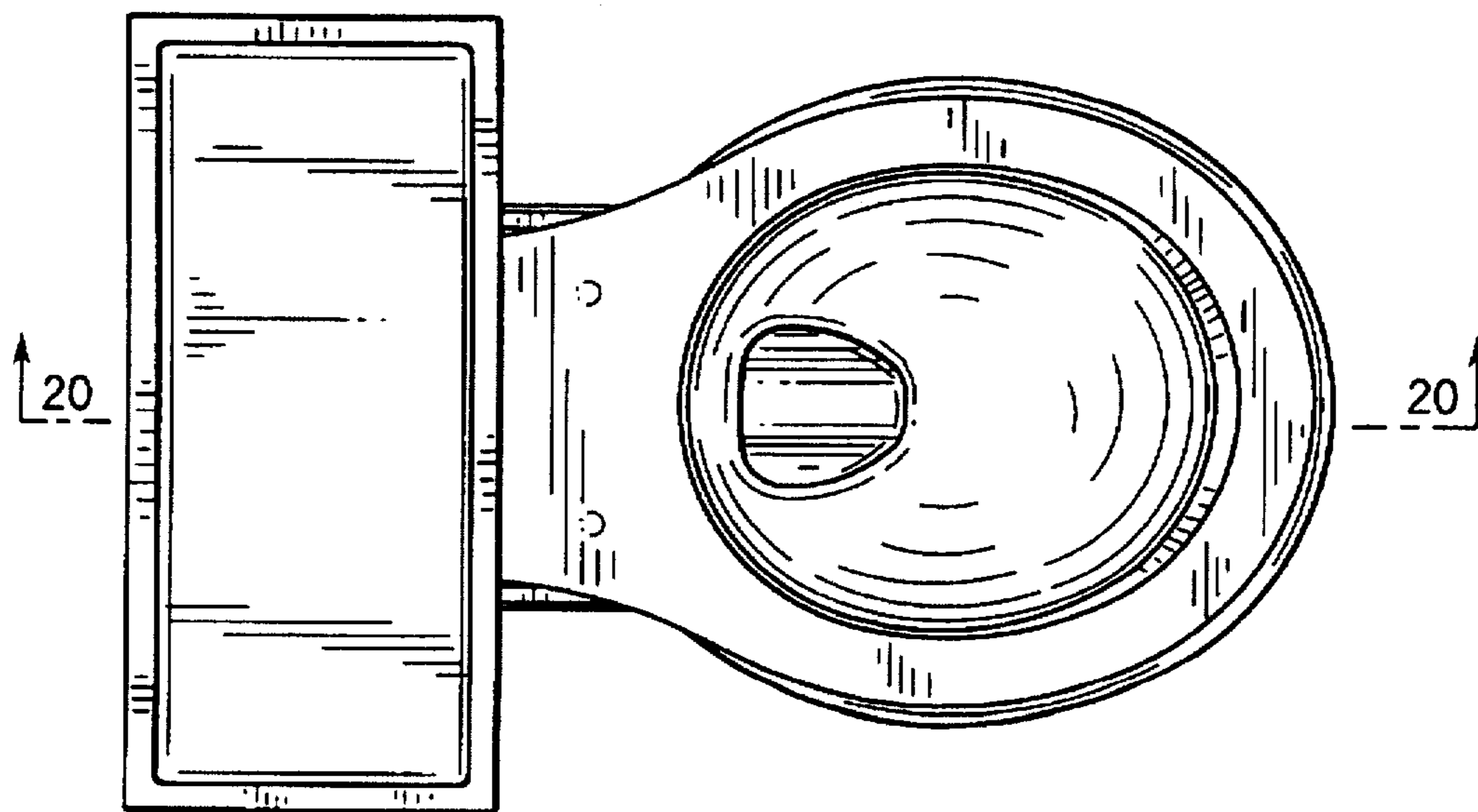
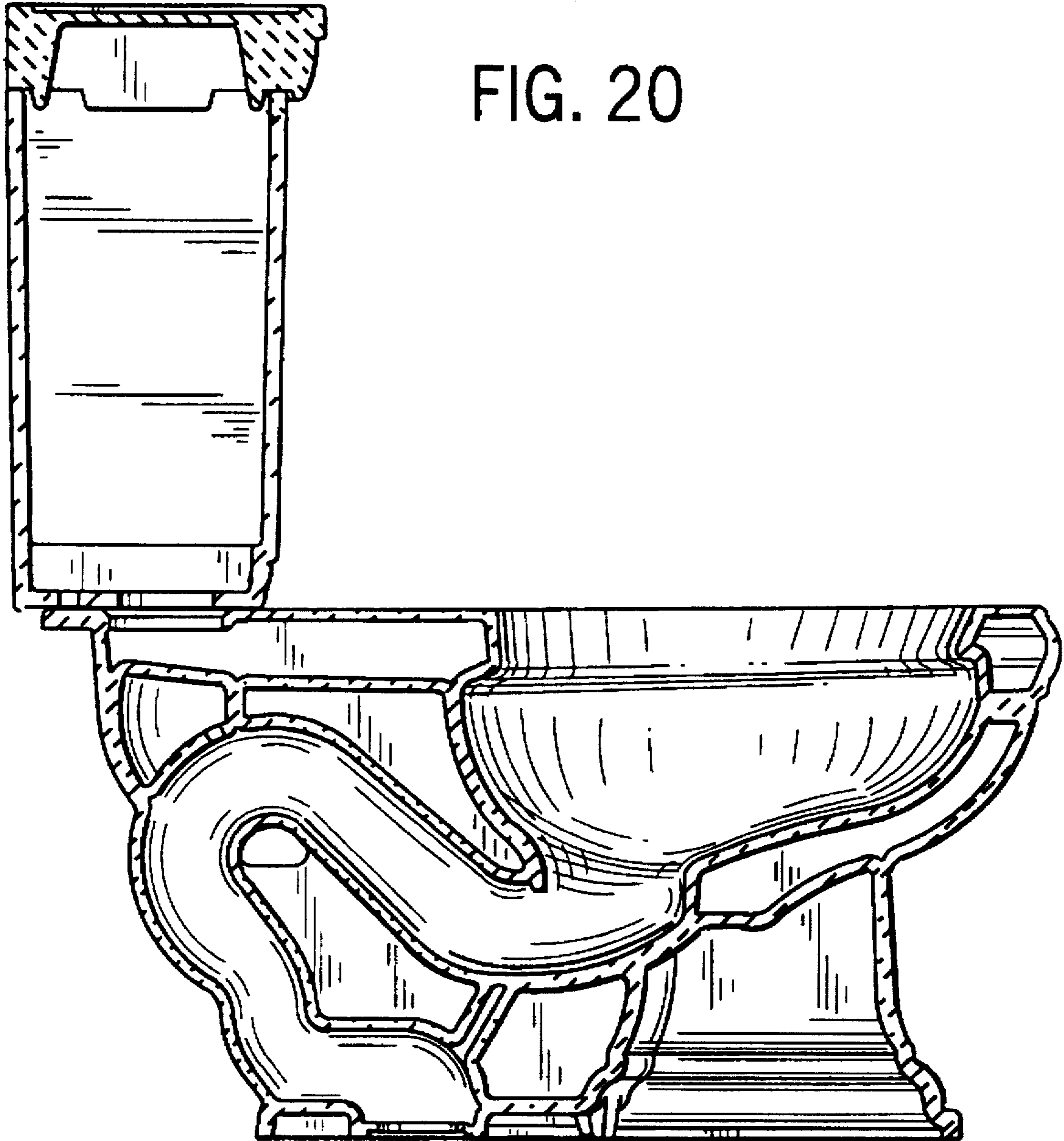


FIG. 19





UNITED STATES PATENT AND TRADEMARK OFFICE
CERTIFICATE OF CORRECTION

PATENT NO. : D387,858
DATED : December 16, 1997
INVENTOR(S) : William C. McKeone

It is certified that error appears in the above-identified patent and that said Letters Patent is hereby corrected as shown below:

The Title page, Item [56]
U.S. PATENT DOCUMENTS

"Domos et al." should read --Doman et al.--

DESCRIPTION

In the Fig. 3 description:

"a mirror of" should read --a mirror image of--

Signed and Sealed this
Seventh Day of April, 1998



Attest:

BRUCE LEHMAN

Attesting Officer

Commissioner of Patents and Trademarks