



US00D387857S

**United States Patent** [19]  
**McKeone**

[11] **Patent Number:** **Des. 387,857**  
[45] **Date of Patent:** **\*\*Dec. 16, 1997**

[54] **LAVATORY**

[75] **Inventor:** **William C. McKeone, Sheboygan, Wis.**

[73] **Assignee:** **Kohler Co., Kohler, Wis.**

[\*\*] **Term:** **14 Years**

[21] **Appl. No.:** **64,267**

[22] **Filed:** **Nov. 21, 1996**

[51] **LOC (6) Cl.** ..... **23-02**

[52] **U.S. Cl.** ..... **D23/284; D23/285**

[58] **Field of Search** ..... **D23/284, 285,**  
**D23/290, 291, 292, 293.1; 4/619, 624,**  
**626, 638-650**

[56] **References Cited**

**U.S. PATENT DOCUMENTS**

D. 143,104	12/1945	Young	.....	D23/284
D. 234,199	1/1975	Stoires, Jr.	.....	D23/293.1
D. 240,825	8/1976	Gruber	.....	D23/293.1
D. 262,485	12/1981	Wissinger	.....	D23/287
D. 267,336	12/1982	Porfuno	.....	D23/293.1

**OTHER PUBLICATIONS**

Undated American Standard catalog ad showing "Galleria" pedestal lavatory, admitted prior art.  
1989 Kohler catalog ad, pp. 8-18b, showing "Ladena" lavatory.

Undated Eljer catalog ad showing "Amherst" lavatory, admitted prior art.

Undated photograph of picture frame, supplier unknown, admitted prior art.

Undated Kohler catalog ad showing lavatory (item F), admitted prior art.

*Primary Examiner*—Louis S. Zarfes

*Assistant Examiner*—Eric Watterson

*Attorney, Agent, or Firm*—Quarles & Brady

[57] **CLAIM**

The ornamental design for a lavatory, as shown and described.

**DESCRIPTION**

FIG. 1 is a left, top, front perspective view of a lavatory embodying my new design;

FIG. 2 is a top plan view thereof;

FIG. 3 is a front elevational view thereof;

FIG. 4 is a right side elevational view thereof, the left side elevational view being a mirror image of the right side shown;

FIG. 5 is a cross-sectional view taken along line 5-5 of FIG. 2; and,

FIG. 6 is a cross-sectional view taken along line 6-6 of FIG. 2.

The broken line representations of a counter top in FIG. 1 and of holes in FIGS. 1 and 2 are for purposes of illustration only, and form no part of the claimed design.

**1 Claim, 3 Drawing Sheets**

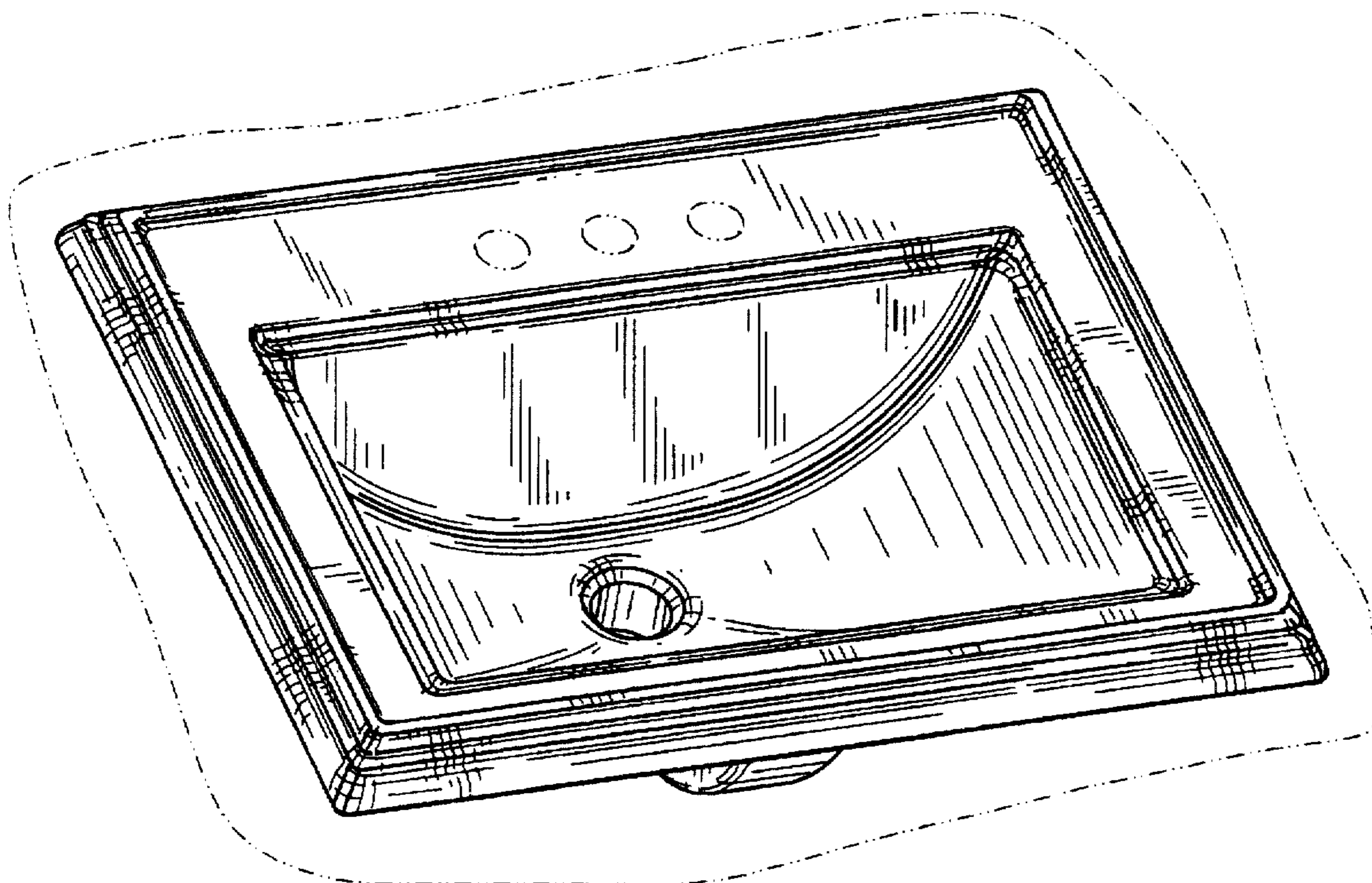


FIG. 1

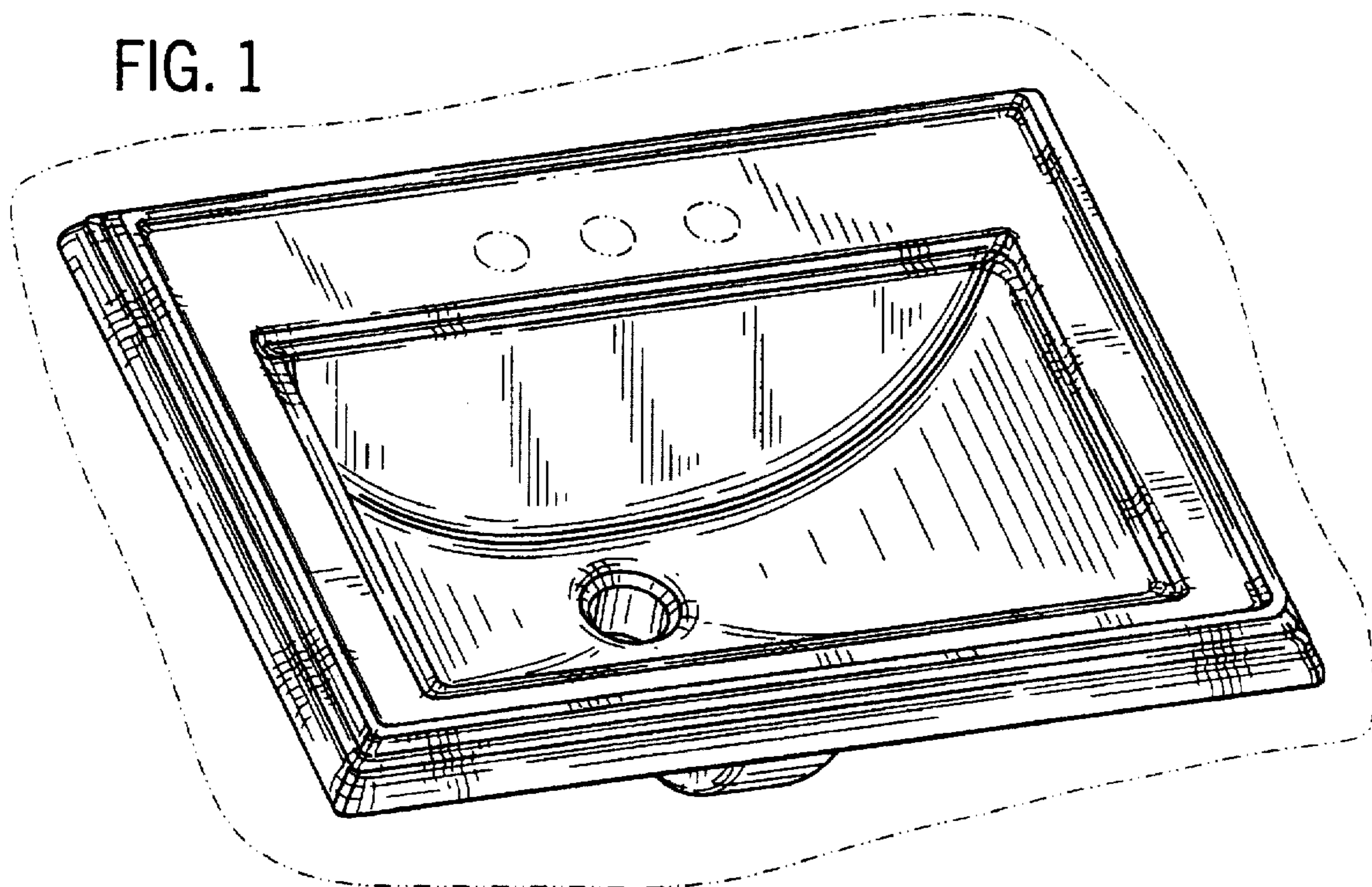


FIG. 2

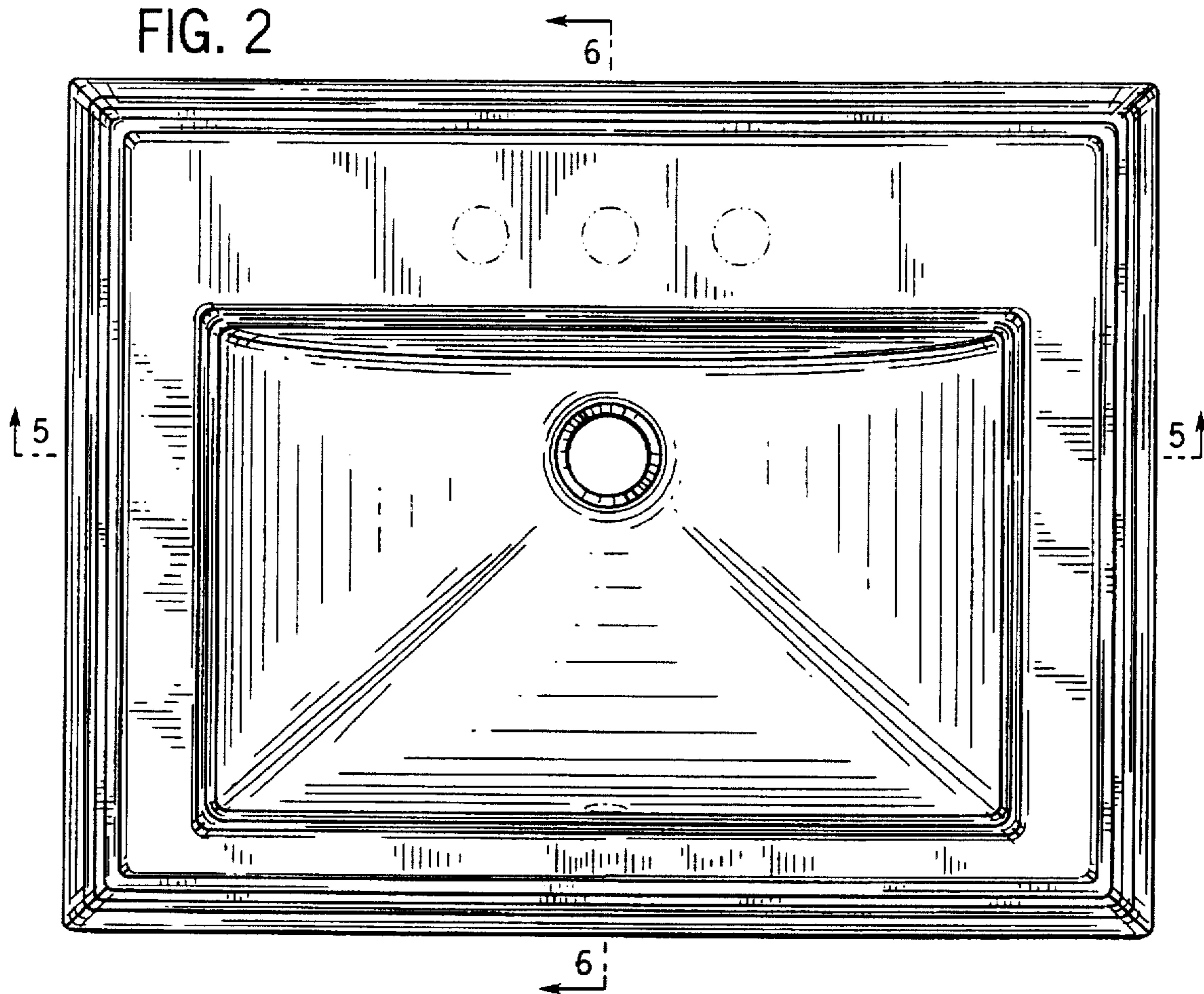


FIG. 3

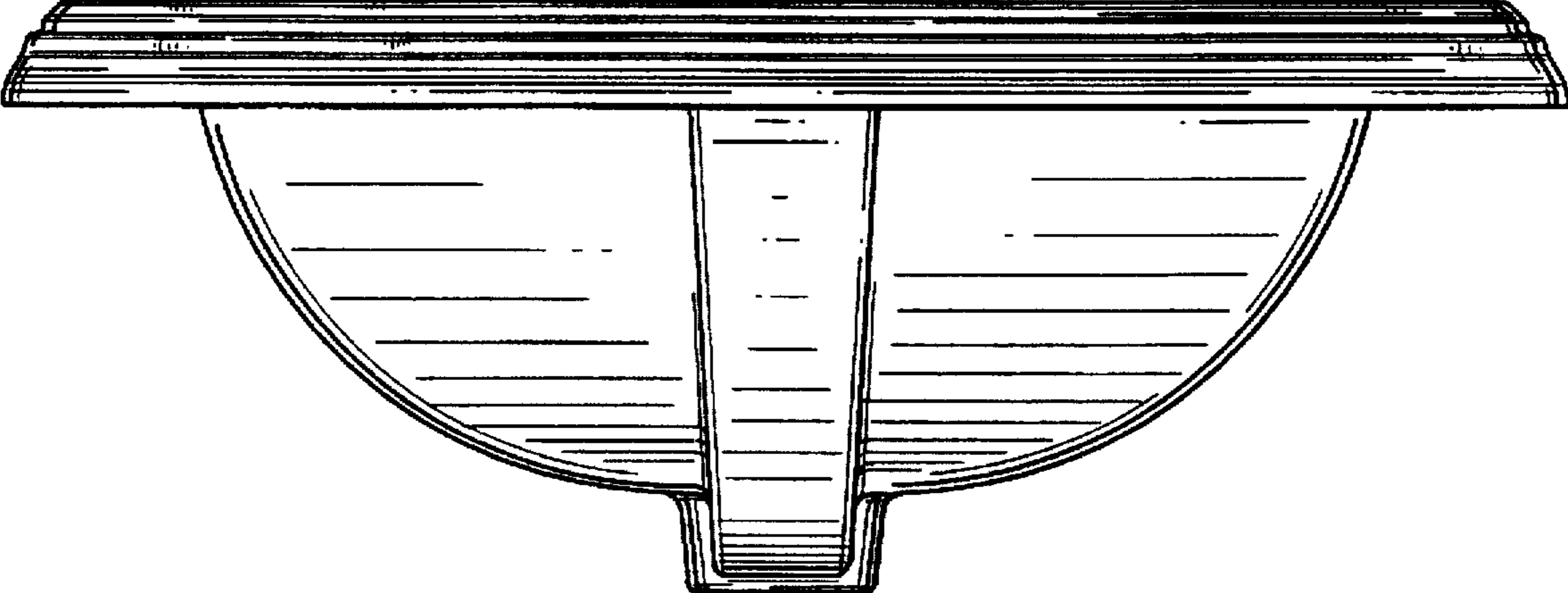


FIG. 4

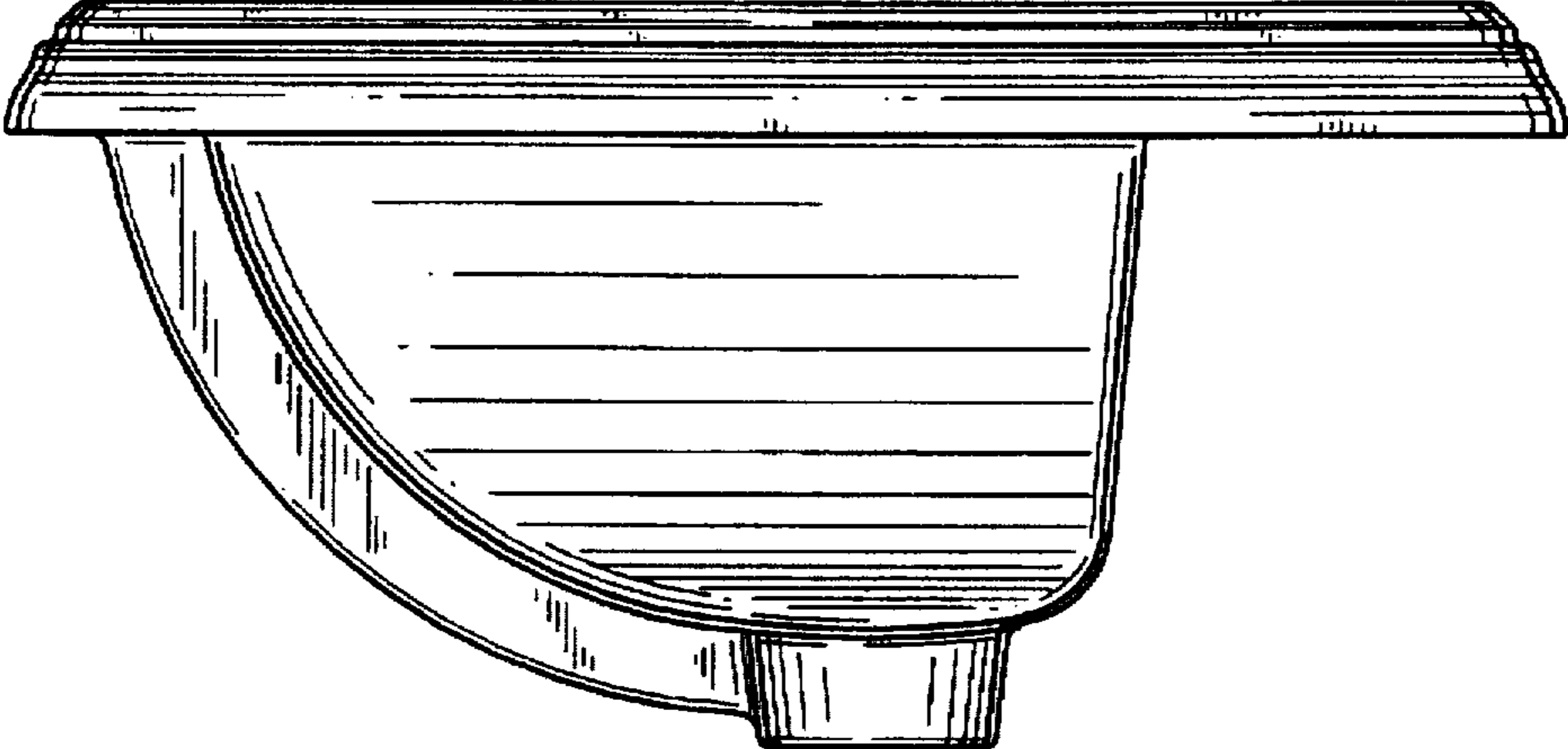


FIG. 5

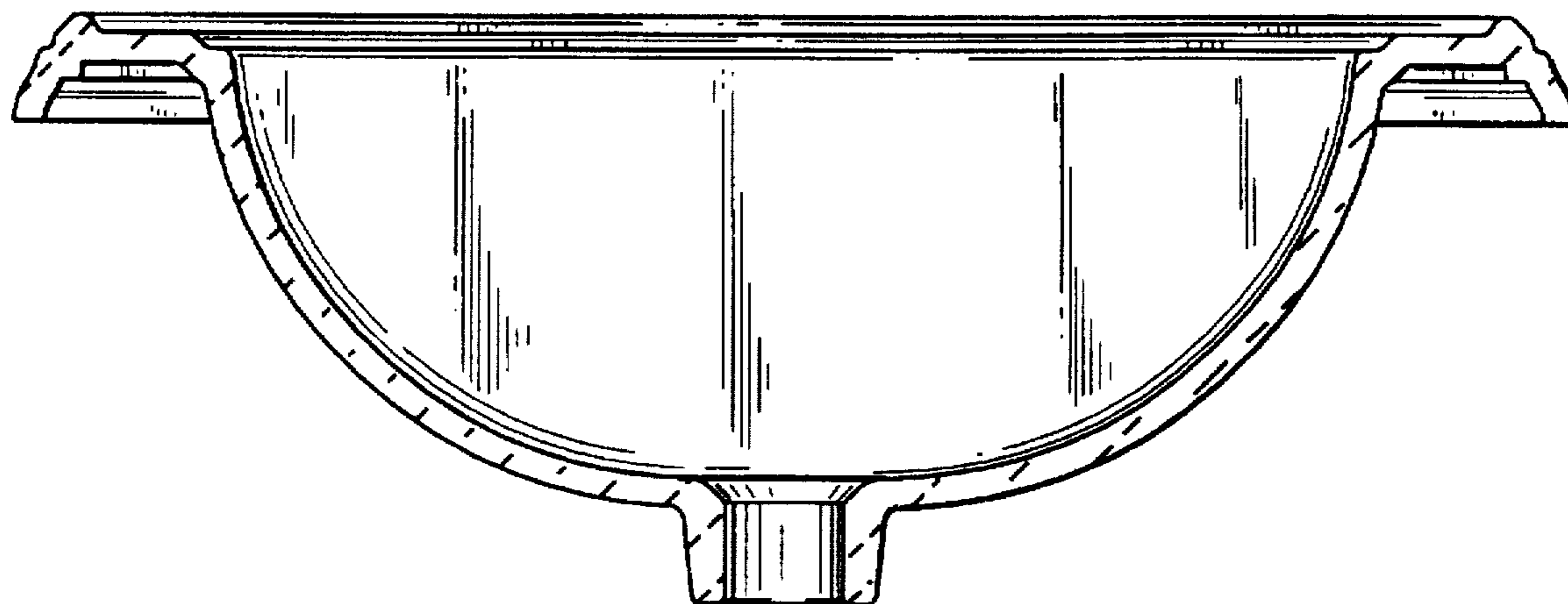


FIG. 6

