



US00D387855S

# United States Patent [19] Spangler

[11] Patent Number: Des. 387,855

[45] Date of Patent: \*\*Dec. 16, 1997

[54] HANDLE FOR A FAUCET

[75] Inventor: Anthony G. Spangler, Greensburg, Ind.

[73] Assignee: Masco Corporation of Indiana,  
Indianapolis, Ind.

[\*\*] Term: 14 Years

[21] Appl. No.: 62,630

[22] Filed: Nov. 20, 1996

[51] LOC (6) CL ..... 23-01

[52] U.S. Cl. .... D23/252

[58] Field of Search ..... D23/238-243,  
D23/250-257; 4/675-679; 16/110 R, 118,  
121, 123, 125

[56] **References Cited**

**U.S. PATENT DOCUMENTS**

D. 99,251	4/1936	Tiaorda .....	D23/252
D. 115,796	7/1939	Reinecke .....	D23/252
D. 254,147	2/1980	Colani .....	D23/252

*Primary Examiner*—Stella Reid

*Assistant Examiner*—Eric Watterson

*Attorney, Agent, or Firm*—Myron B. Kapustij; Malcolm L. Sutherland

[57] **CLAIM**

The ornamental design for a handle for a faucet, as shown and described.

**DESCRIPTION**

FIG. 1 is a front perspective view of the handle for a faucet showing my new design;

FIG. 2 is a top plan view thereof;

FIG. 3 is a left side elevational view thereof, the right side being a mirror image;

FIG. 4 is a bottom plan view thereof;

FIG. 5 is a rear elevational view thereof; and,

FIG. 6 is a front elevational view thereof.

**1 Claim, 2 Drawing Sheets**

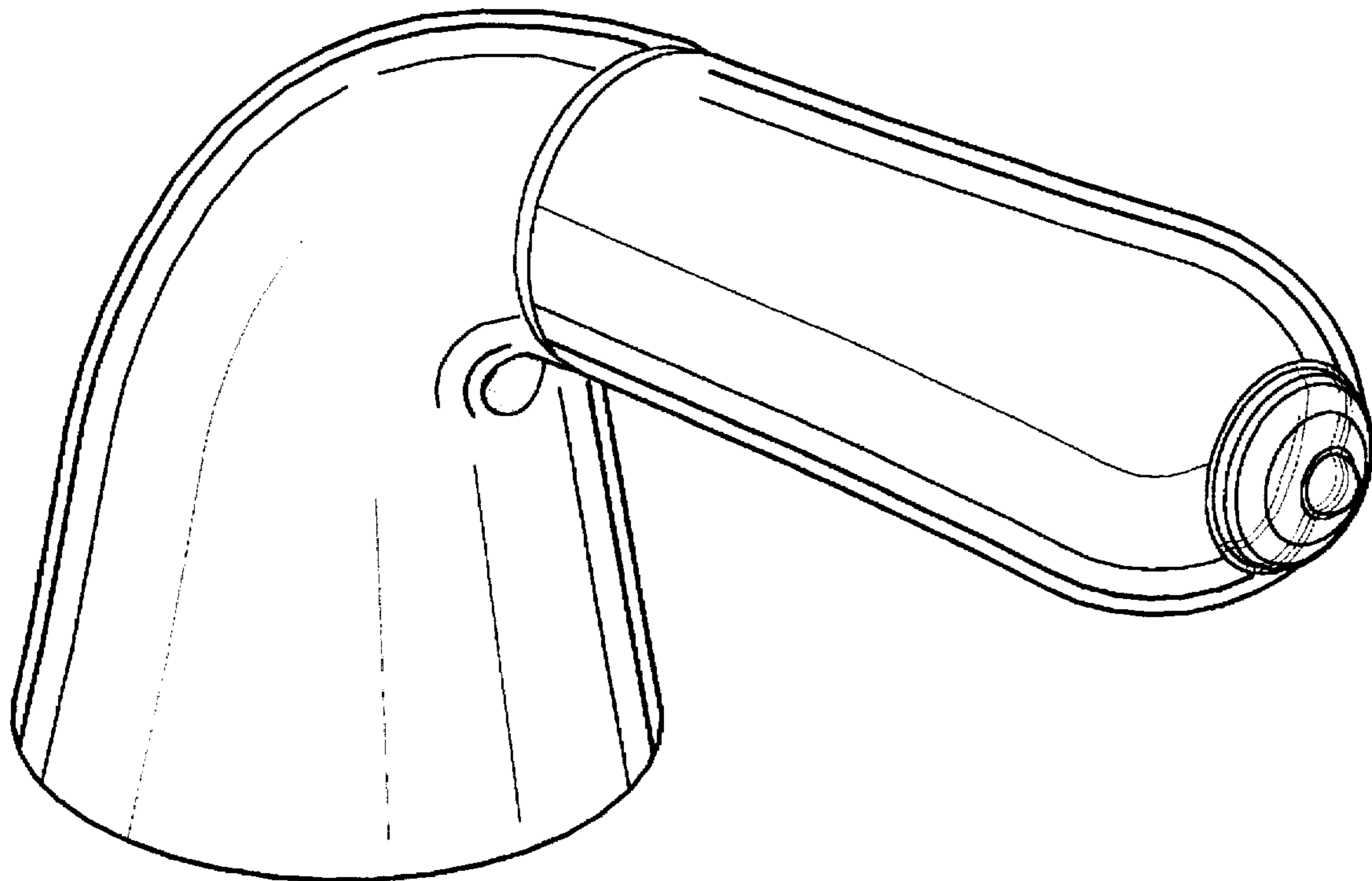


Fig-1

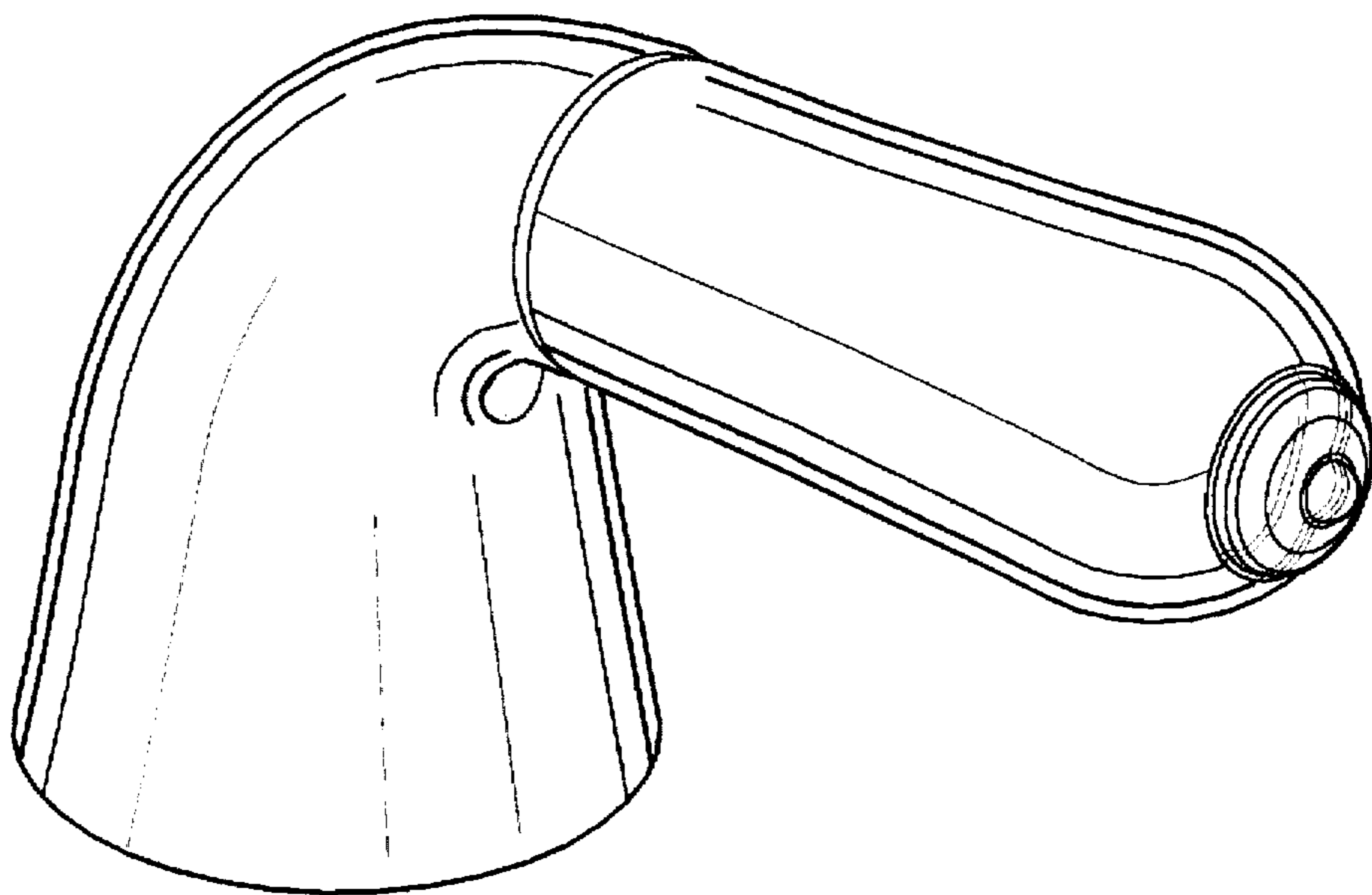


Fig-2

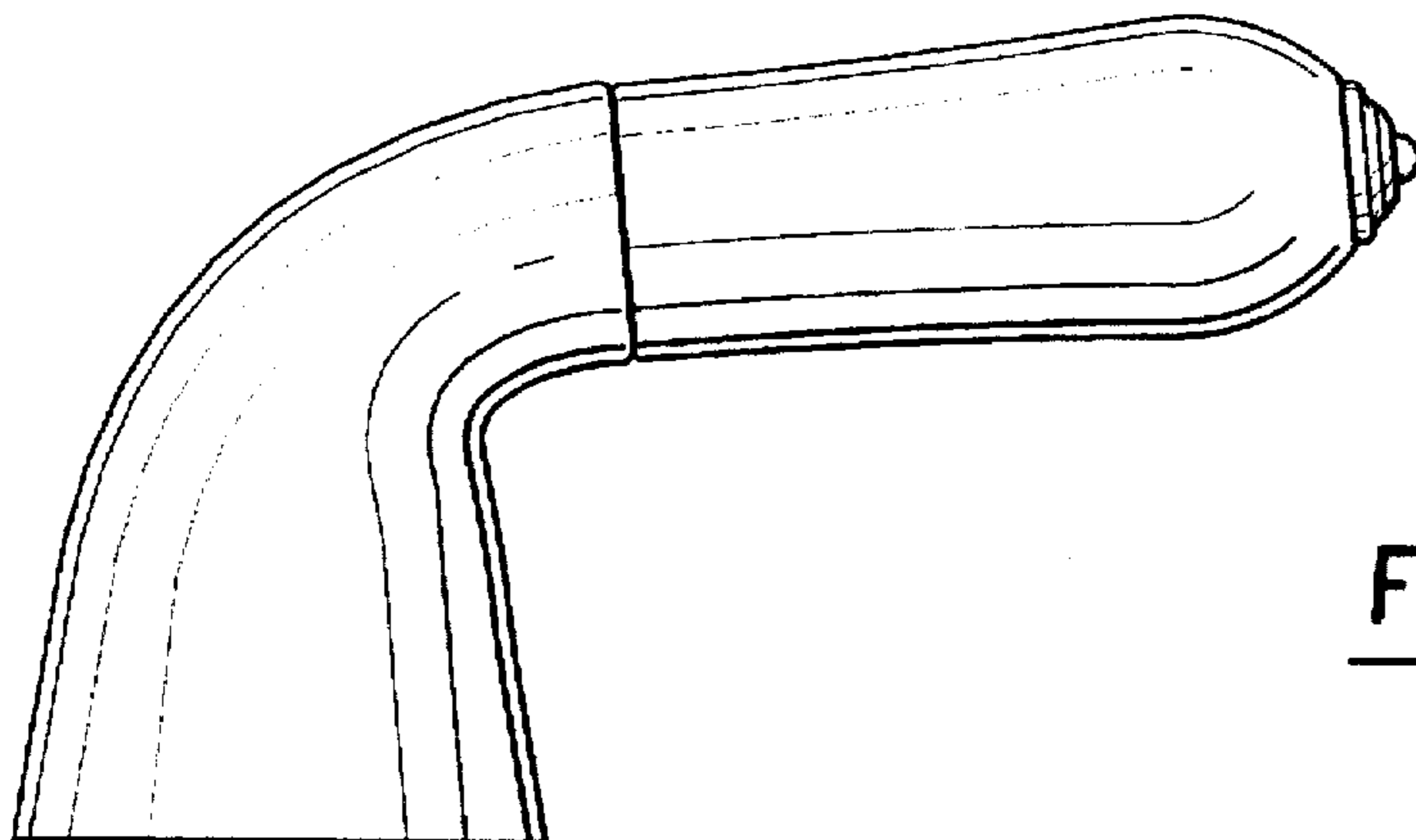
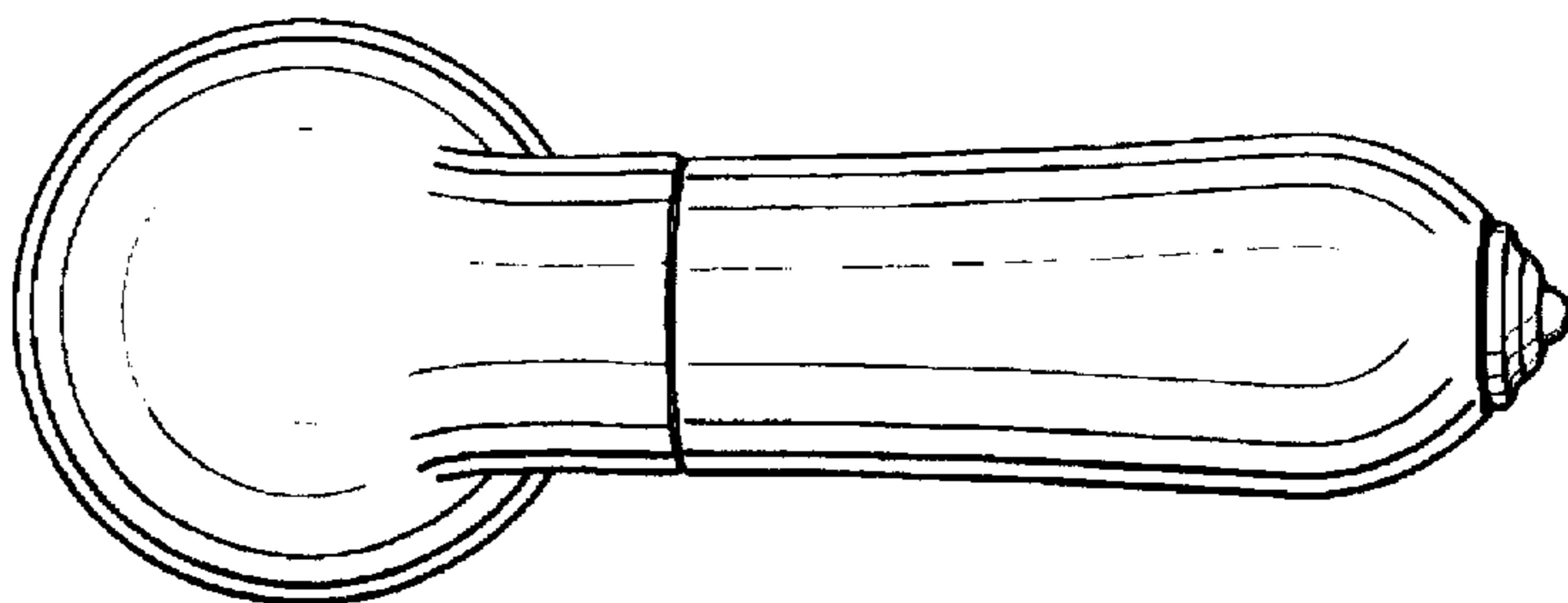


Fig-3

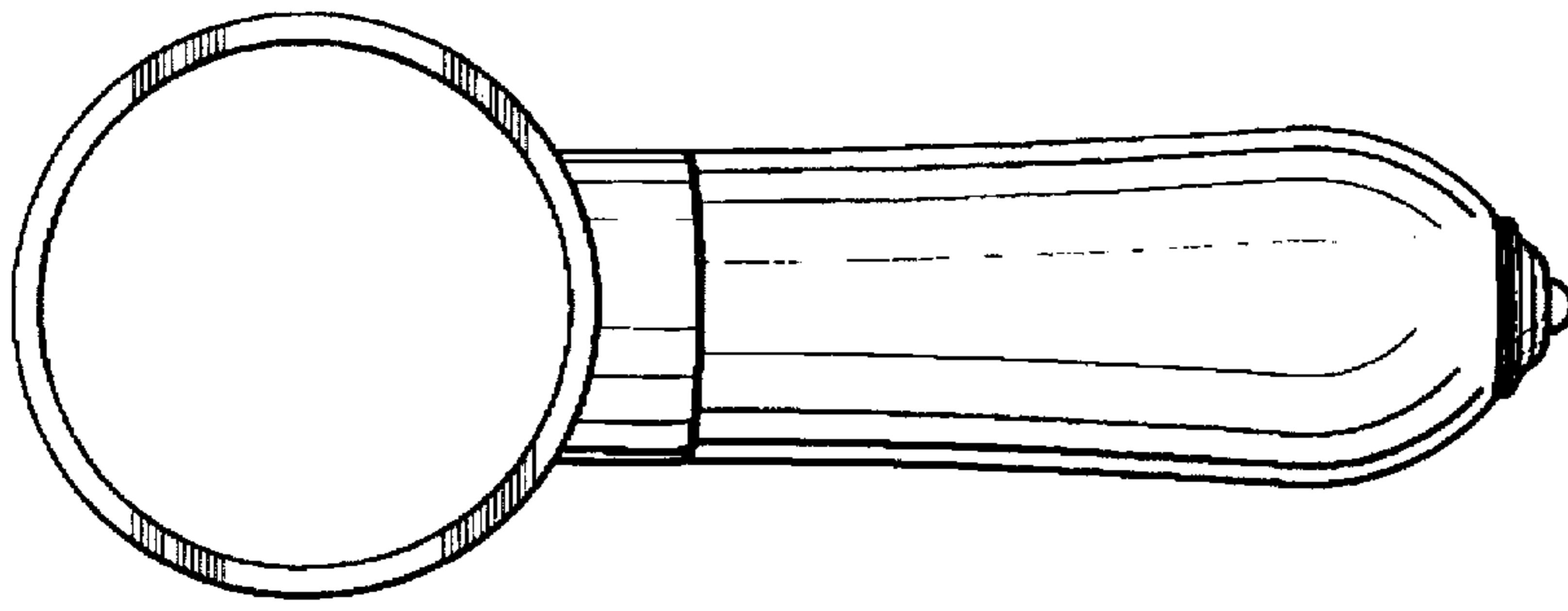


Fig-4

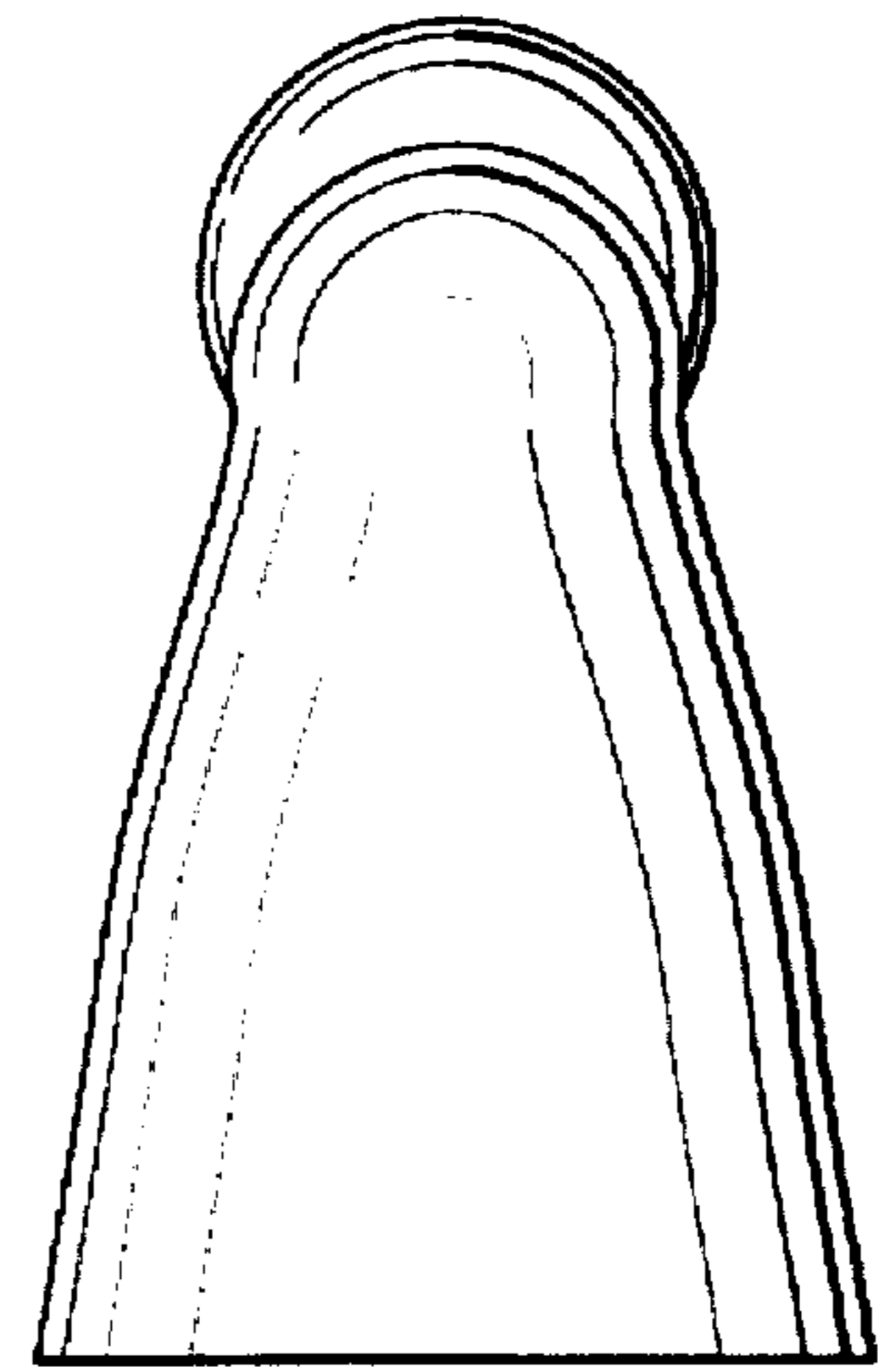


Fig-5

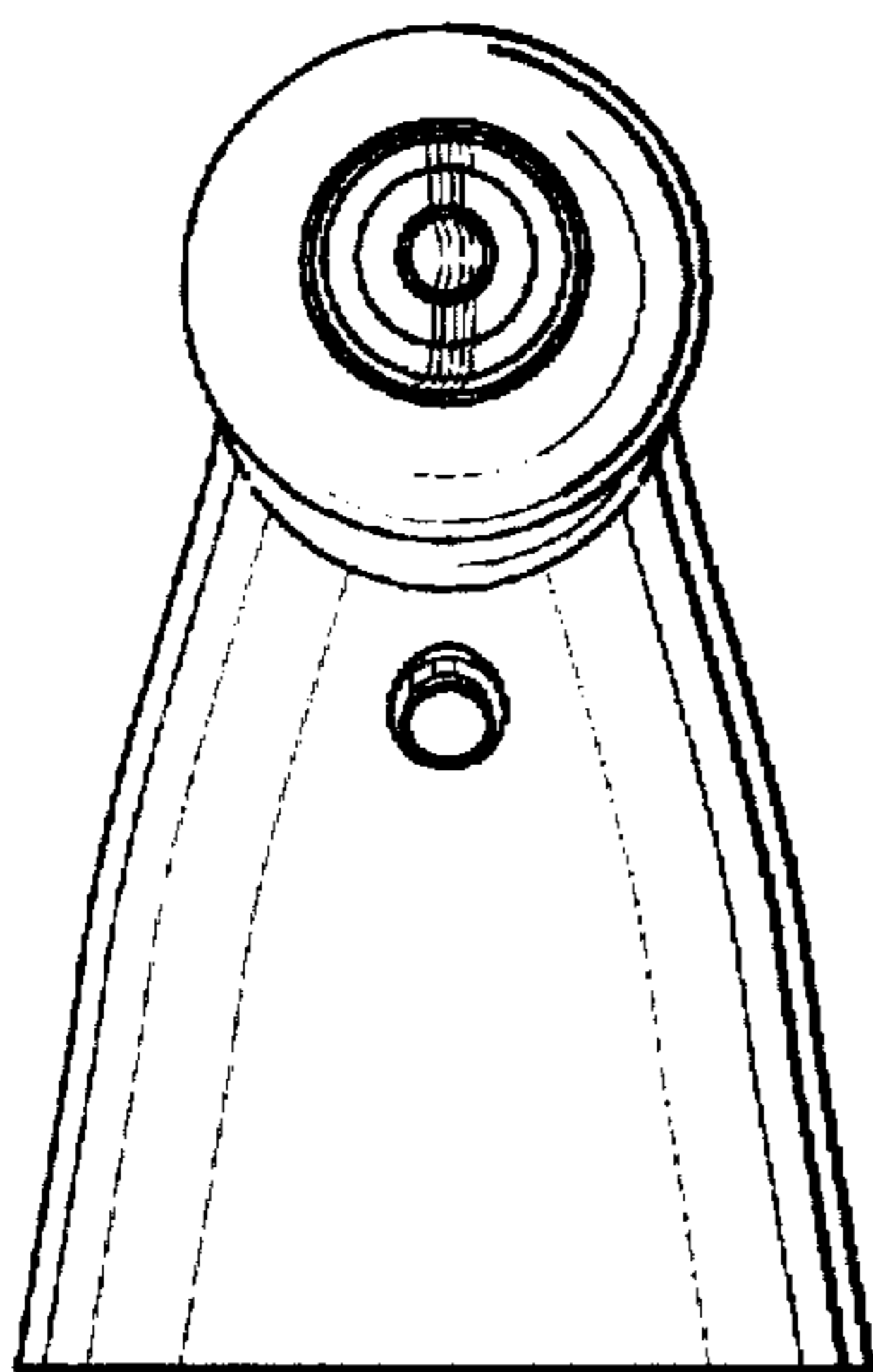


Fig-6