



US00D387851S

**United States Patent** [19]  
**Pieters**

[11] **Patent Number:** **Des. 387,851**  
[45] **Date of Patent:** **\*\*Dec. 16, 1997**

[54] **COMBINED BIDET AND TOILET SEAT AND COVER**

D. 330,412 10/1992 Rasmussen ..... D23/311  
D. 332,830 1/1993 Gerlach ..... D23/311  
D. 336,331 6/1993 Arroyo ..... D23/311

[75] **Inventor:** **Francis Theodore Pieters**, Pointe Claire, Canada

*Primary Examiner*—Stella Reid  
*Assistant Examiner*—Eric Watterson  
*Attorney, Agent, or Firm*—Birch, Stewart, Kolasch & Birch, LLP

[73] **Assignee:** **Sydsons Cavaliers Inc.**, Quebec, Canada

[\*\*] **Term:** **14 Years**

[57] **CLAIM**

[21] **Appl. No.:** **61,895**

The ornamental design for a combined bidet and toilet seat and cover, as shown and described.

[22] **Filed:** **Nov. 1, 1996**

**DESCRIPTION**

[30] **Foreign Application Priority Data**

Jun. 13, 1996 [CA] Canada ..... 1996-1377

FIG. 1 is a perspective view of the combined bidet and toilet seat with the cover in a raised position;  
FIG. 2 is a side elevation of the design of FIG. 1;  
FIG. 3 is a top plan view thereof;  
FIG. 4 is a front elevation thereof;  
FIG. 5 is a side elevation taken from the other side thereof;  
FIG. 6 is a rear view thereof;  
FIG. 7 is a bottom view thereof; and,  
FIG. 8 is a perspective view, similar to FIG. 1, with the cover closed.

[51] **LOC (6) Cl.** ..... **23-02**

[52] **U.S. Cl.** ..... **D23/311**

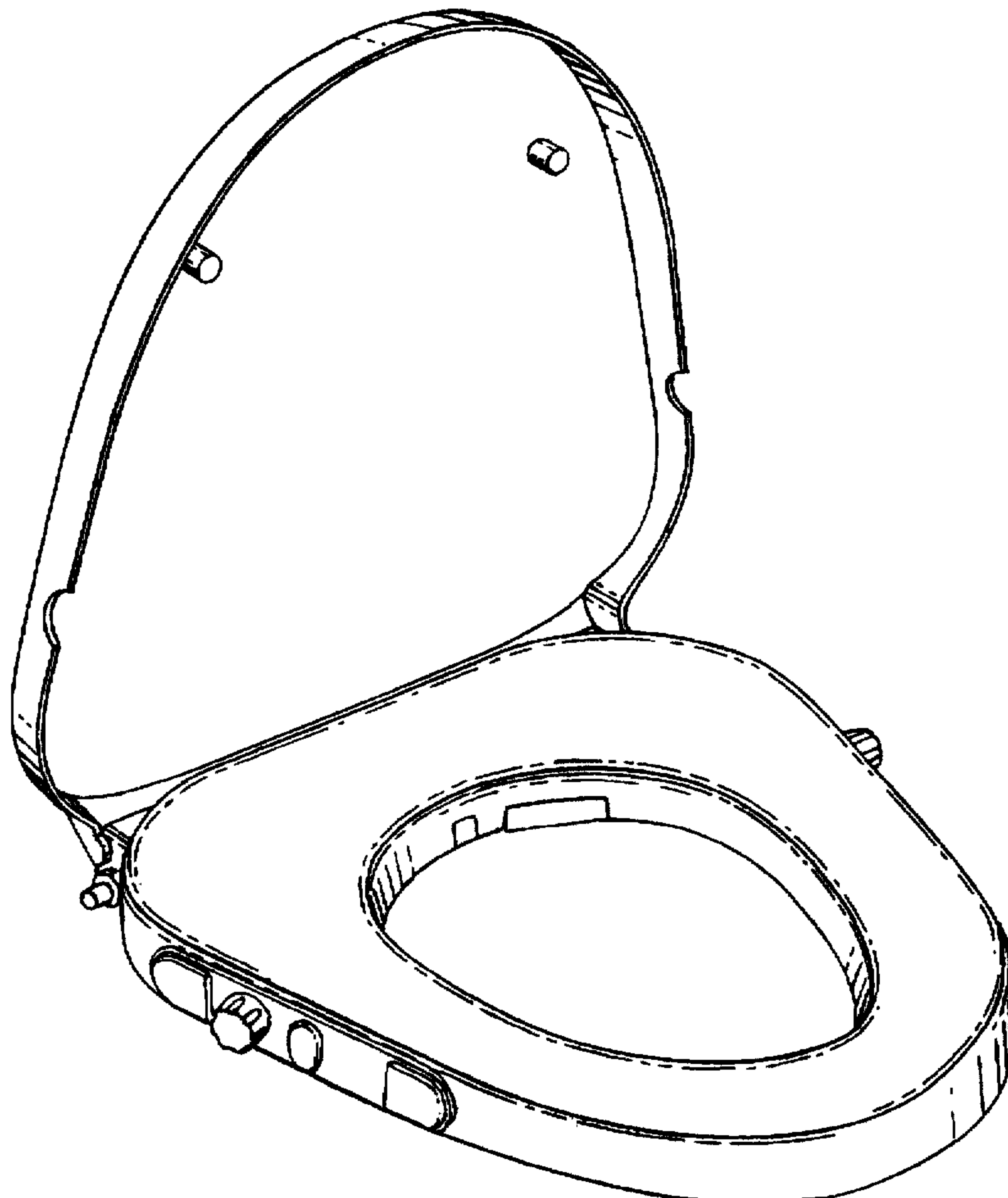
[58] **Field of Search** ..... D23/295-313;  
4/234-247, 420.1-420.5, 443-448

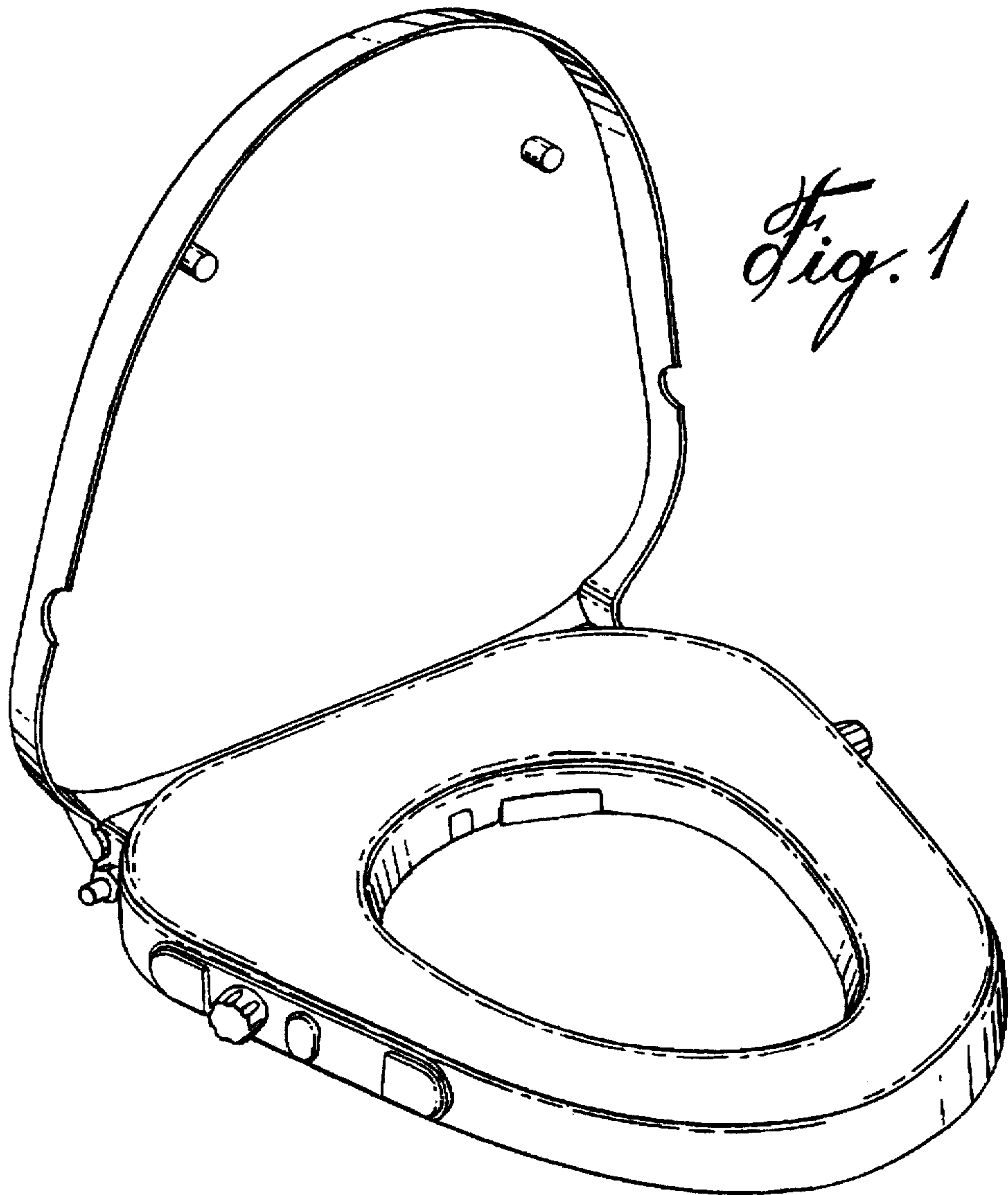
[56] **References Cited**

**U.S. PATENT DOCUMENTS**

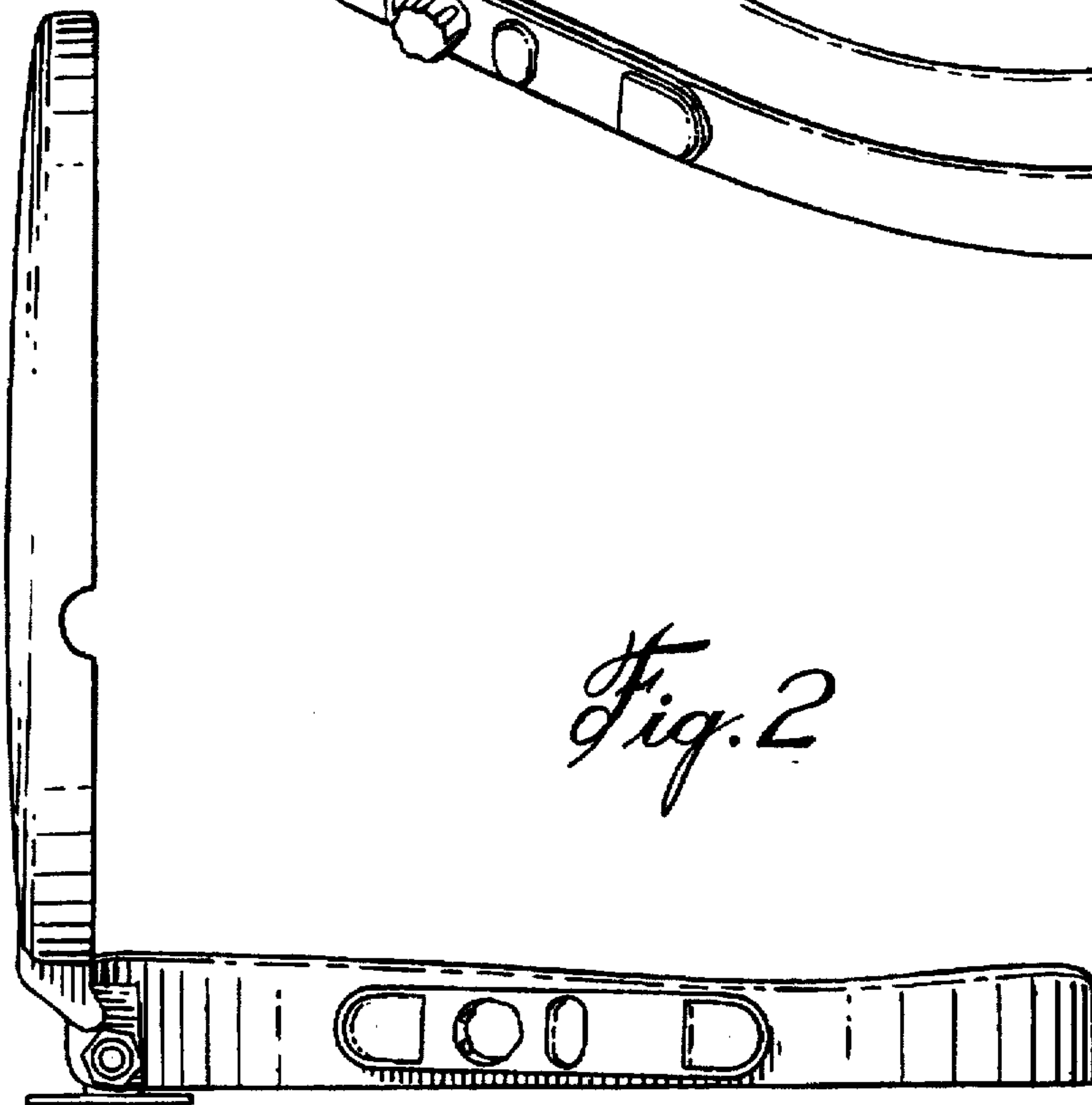
D. 329,492 9/1992 New ..... D23/311

**1 Claim, 4 Drawing Sheets**

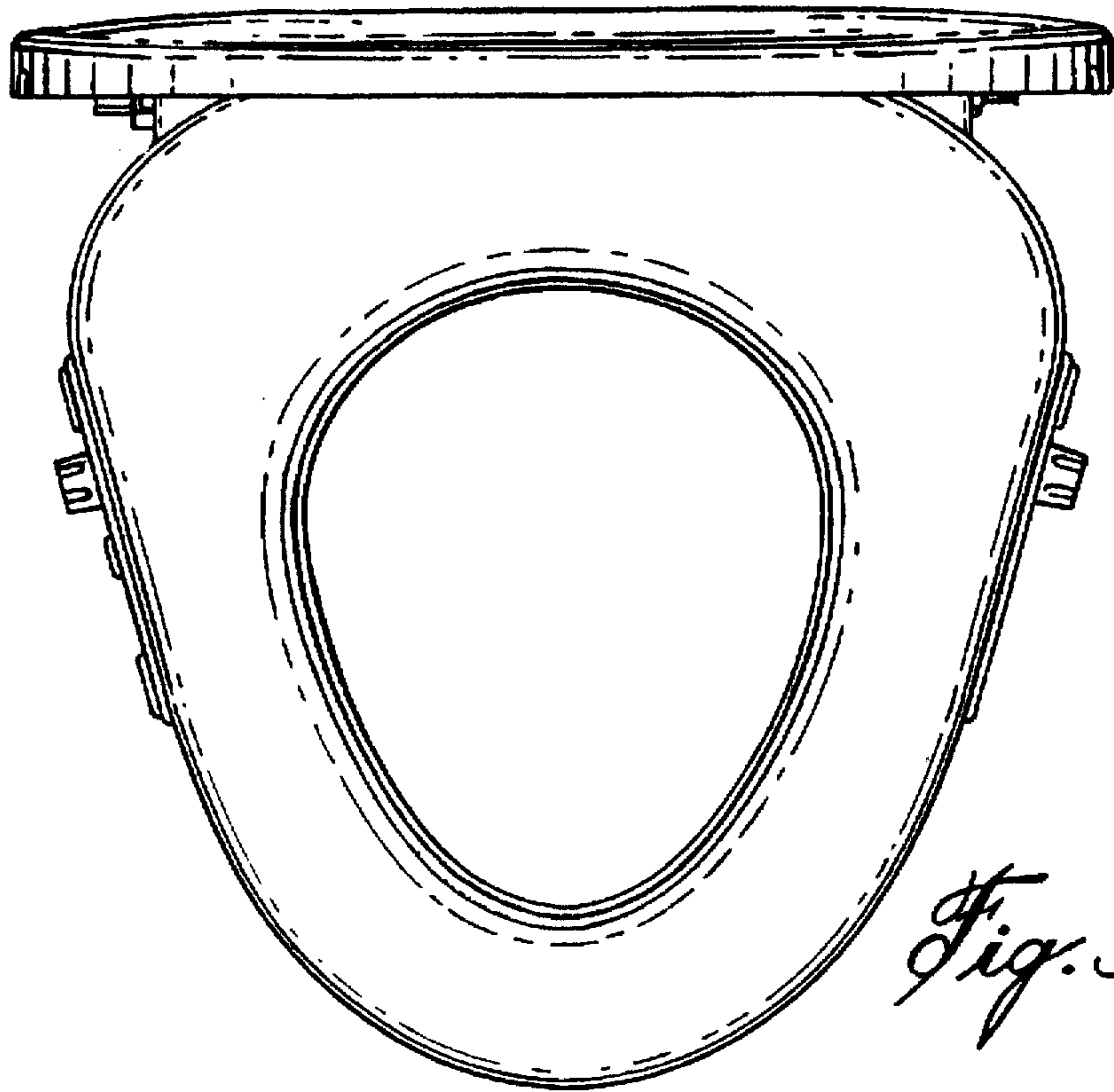




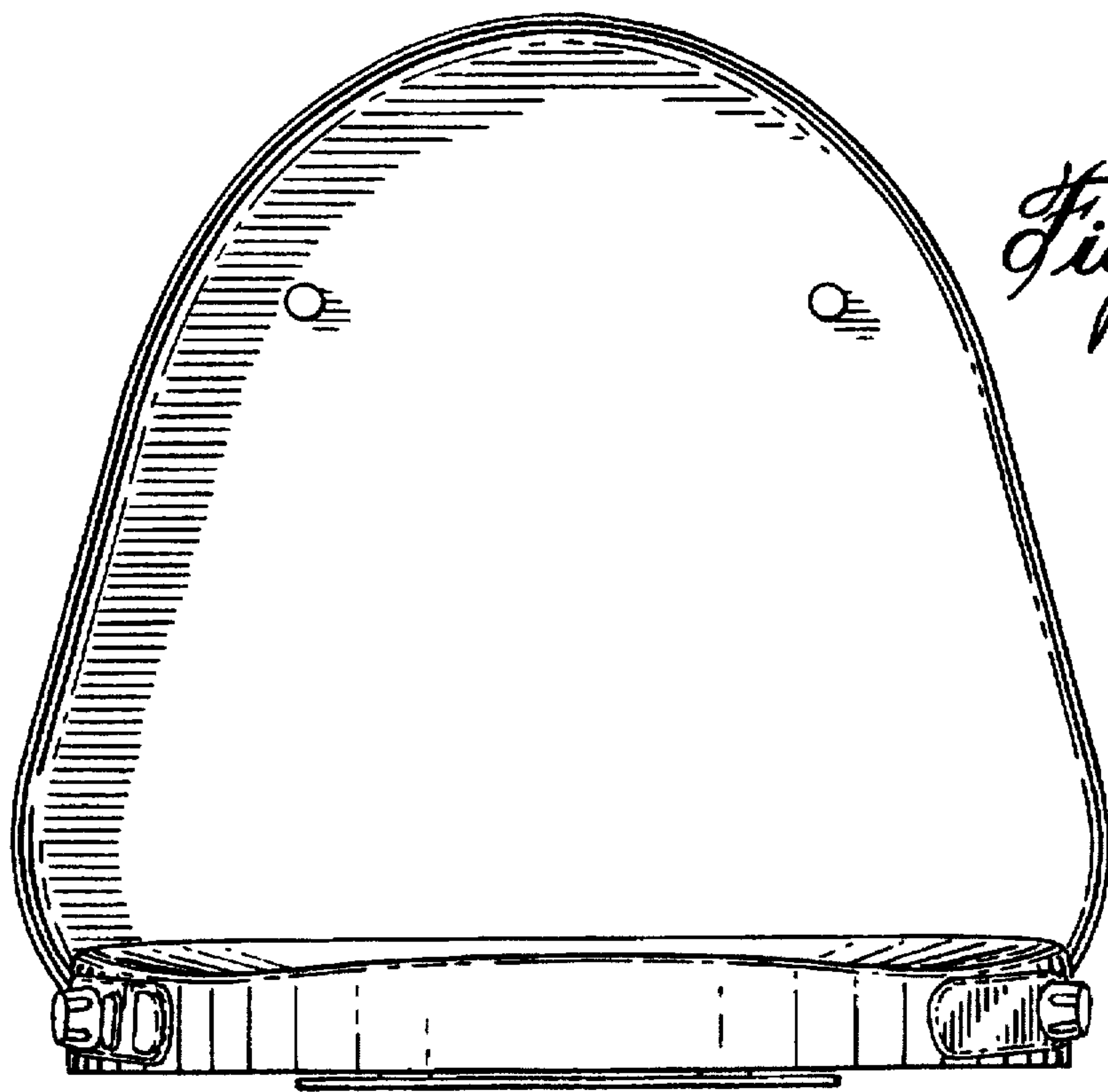
*Fig. 1*



*Fig. 2*

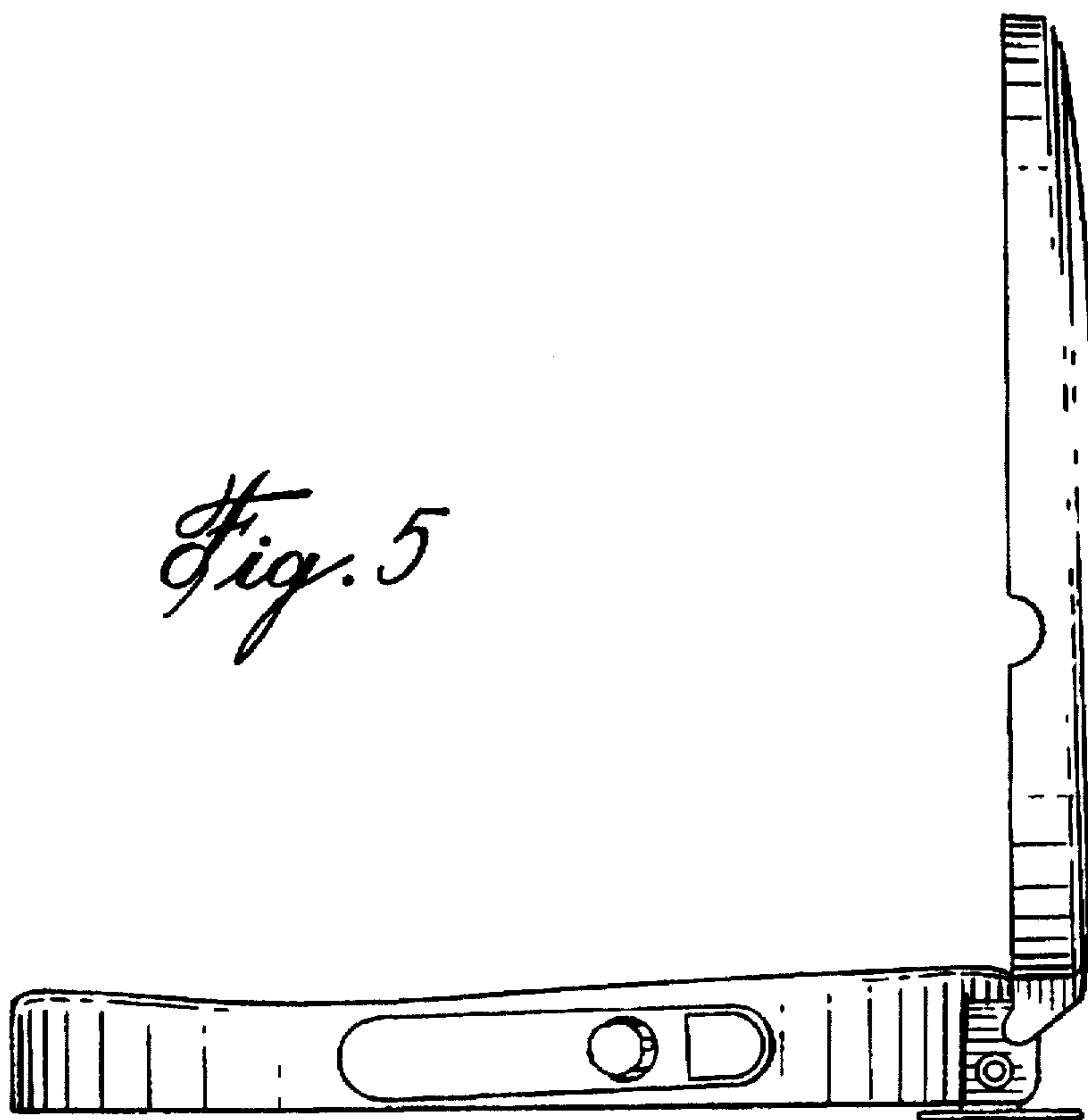


*Fig. 3*

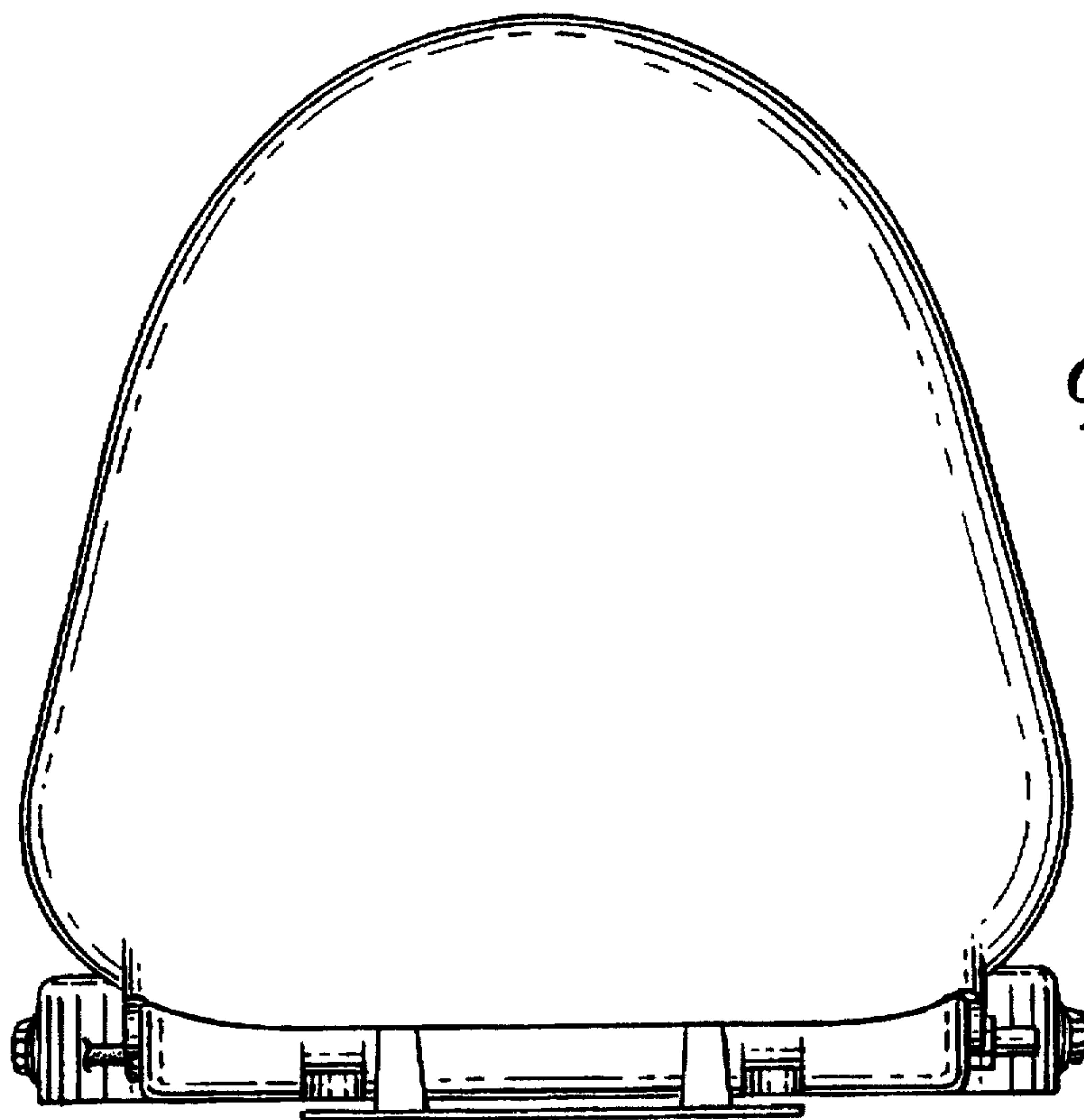


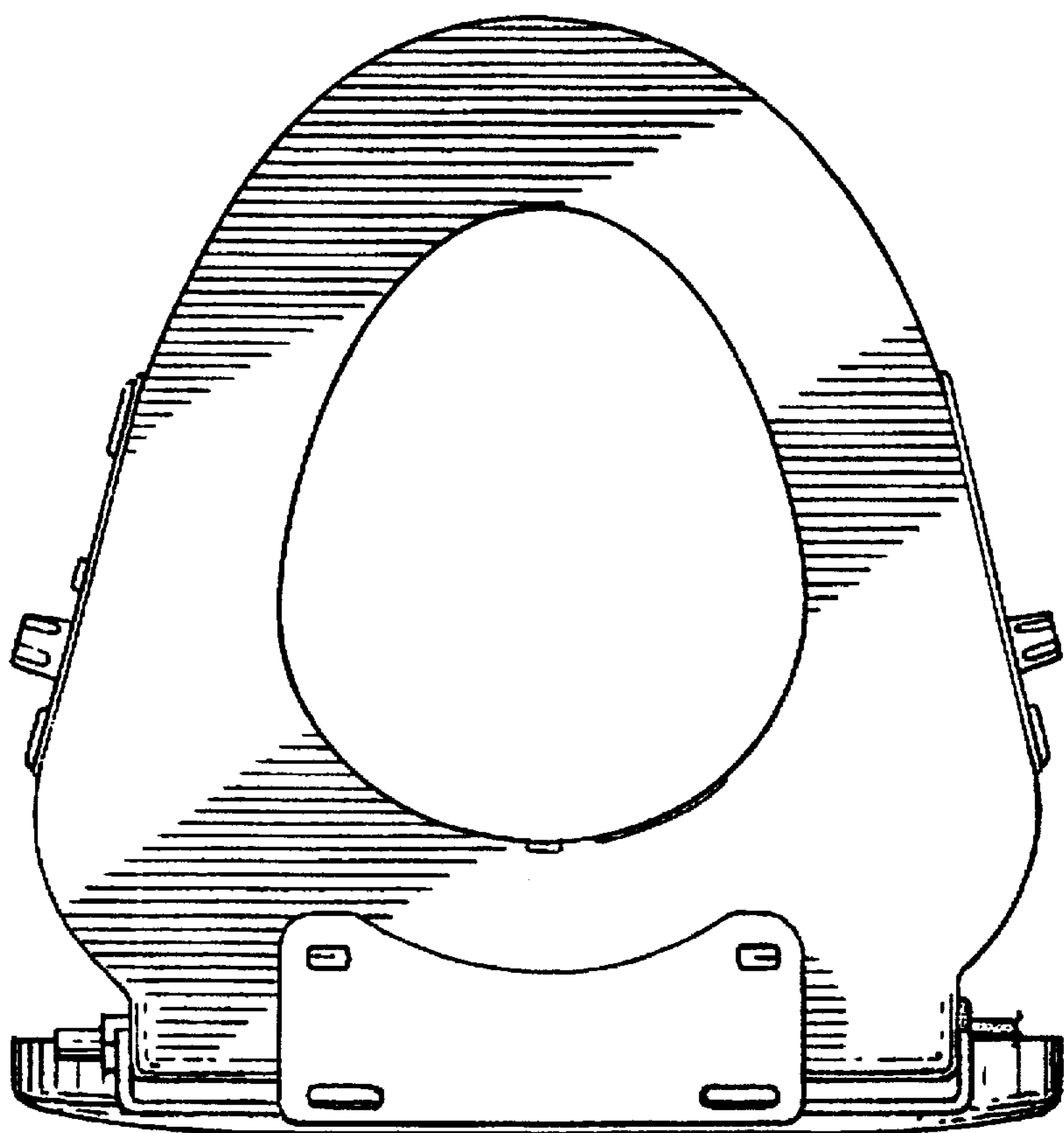
*Fig. 4*

*Fig. 5*

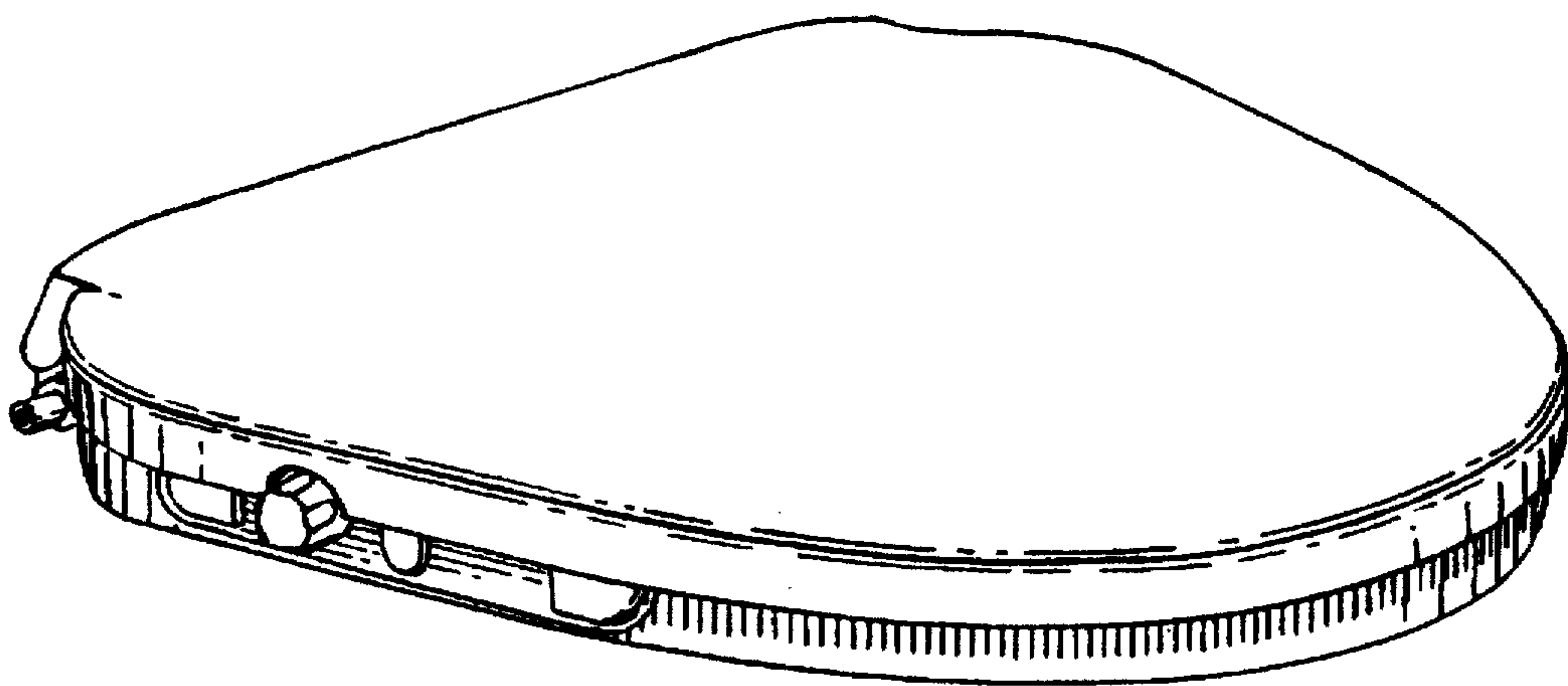


*Fig. 6*





*Fig. 7*



*Fig. 8*