



US00D387848S

United States Patent [19]

[11] Patent Number: Des. 387,848

Thompson et al.

[45] Date of Patent: **Dec. 16, 1997

[54] TOILET BOWL DEODORANT AND CLEANER HOLDER

[75] Inventors: **Guy R. Thompson**, Farnborough;
Stuart J. Campbell, Sunbury on Thames, both of Great Britain

[73] Assignee: **S. C. Johnson & Son, Inc.**, Racine, Wis.

[**] Term: **14 Years**

[21] Appl. No.: **61,975**

[22] Filed: **Nov. 5, 1996**

[30] Foreign Application Priority Data

May 9, 1996 [GB] United Kingdom 2056203

[51] LOC (6) Cl. **23-01**

[52] U.S. Cl. **D23/208**

[58] Field of Search D23/200, 207,
D23/208, 368, 369, 367, 366; 4/231, 232,
223, 224, 222, 228.1, 434, 438

[56] References Cited

U.S. PATENT DOCUMENTS

- Re. 32,017 11/1985 Hautmann et al. .
- D. 257,738 12/1980 Manthei .
- D. 263,414 3/1982 Dolan .
- D. 307,624 5/1990 Wefler .
- D. 307,934 5/1990 Verebelyi D23/208

- D. 308,408 6/1990 Hoyt et al. D23/208
- D. 376,420 12/1996 Rymer D23/208
- 4,168,551 9/1979 Hautmann et al. .
- 4,261,957 4/1981 Schimanski 4/231
- 4,555,819 12/1985 Weiss et al. .
- 4,777,670 10/1988 Klinkhammer et al. .

FOREIGN PATENT DOCUMENTS

- 0 092 283 4/1983 European Pat. Off. .
- 2 098 253 4/1982 United Kingdom .
- 8700473 1/1987 United Kingdom .
- 2194258 3/1988 United Kingdom .
- WO 93/16242 8/1993 WIPO .

Primary Examiner—Alan P. Douglas
Assistant Examiner—Robin V. Taylor
Attorney, Agent, or Firm—Laura L. Bozek

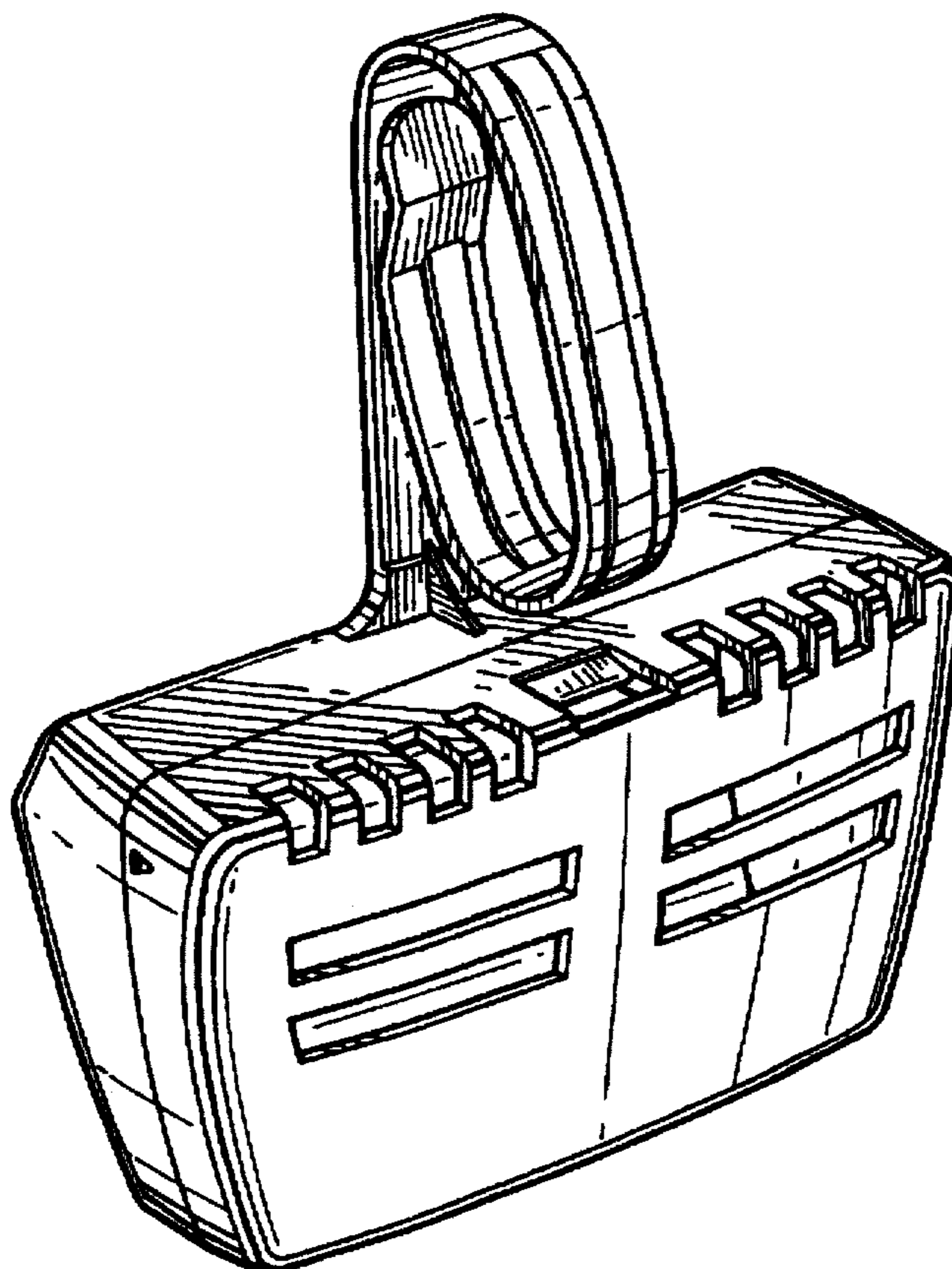
[57] CLAIM

The ornamental design for a toilet bowl deodorant and cleaner holder, as shown and described.

DESCRIPTION

FIG. 1 is a front plan view of the toilet bowl deodorant and cleaner holder showing our new design;
FIG. 2 is a left plan view, the right plan view being a mirror image thereof;
FIG. 3 is a back plan view;
FIG. 4 is a bottom plan view;
FIG. 5 is a front perspective view thereof; and,
FIG. 6 is a rear perspective view thereof.

1 Claim, 3 Drawing Sheets



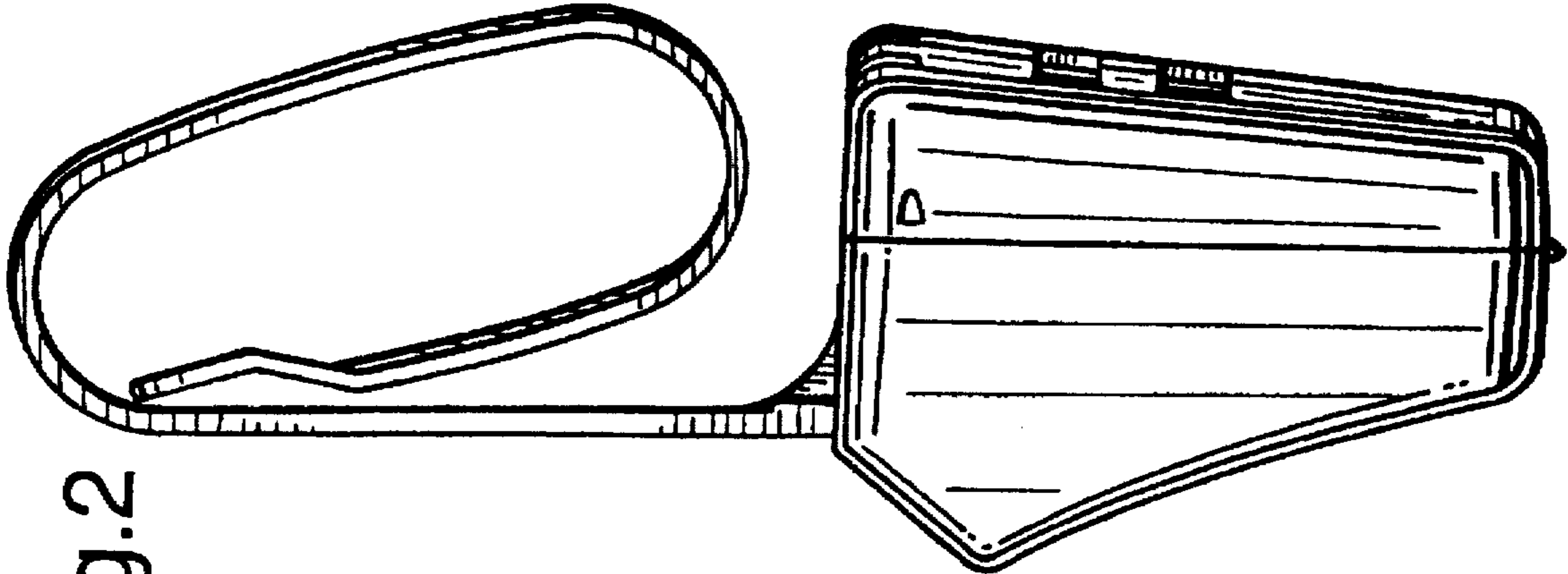


Fig. 2

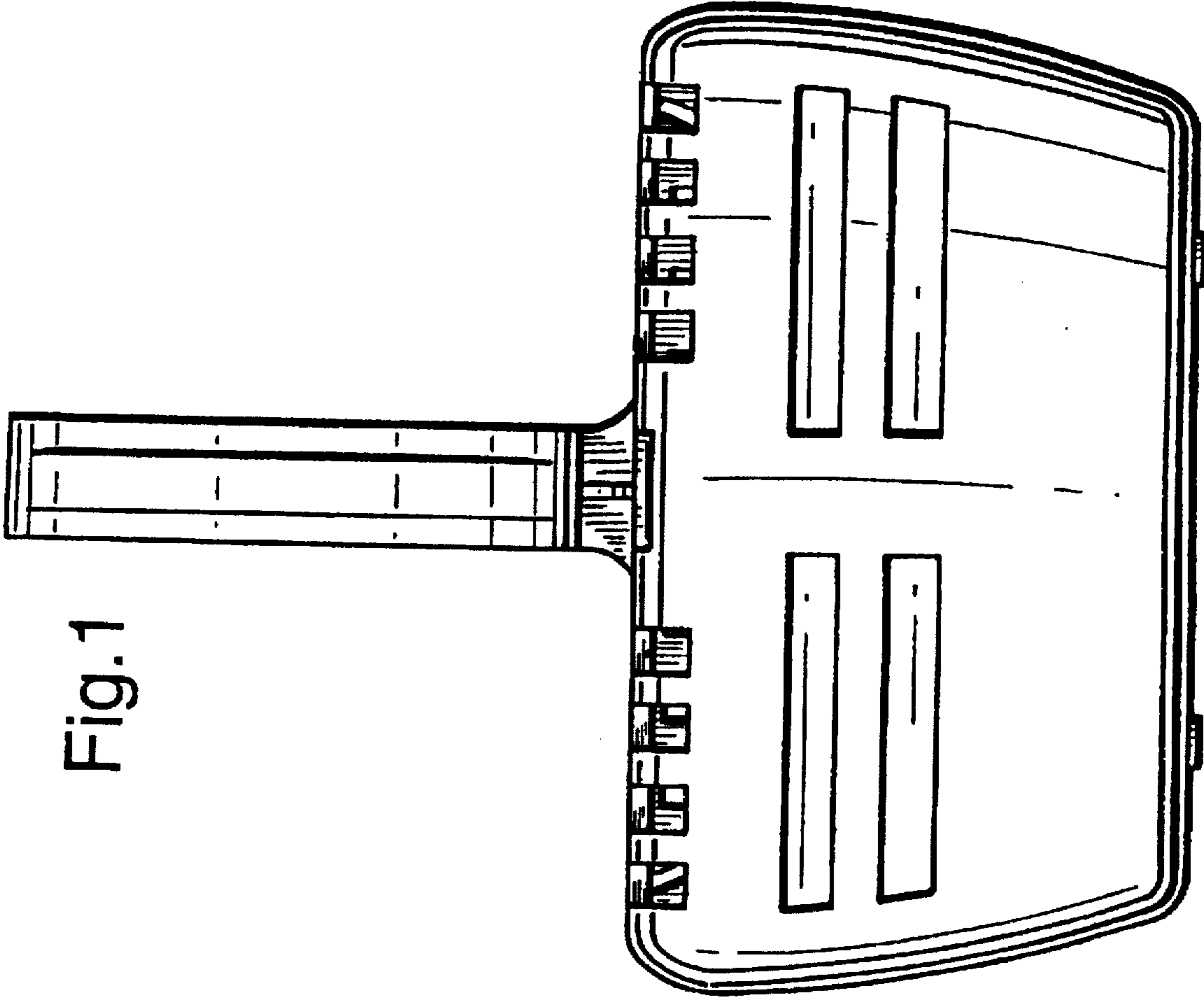


Fig. 1

Fig.3

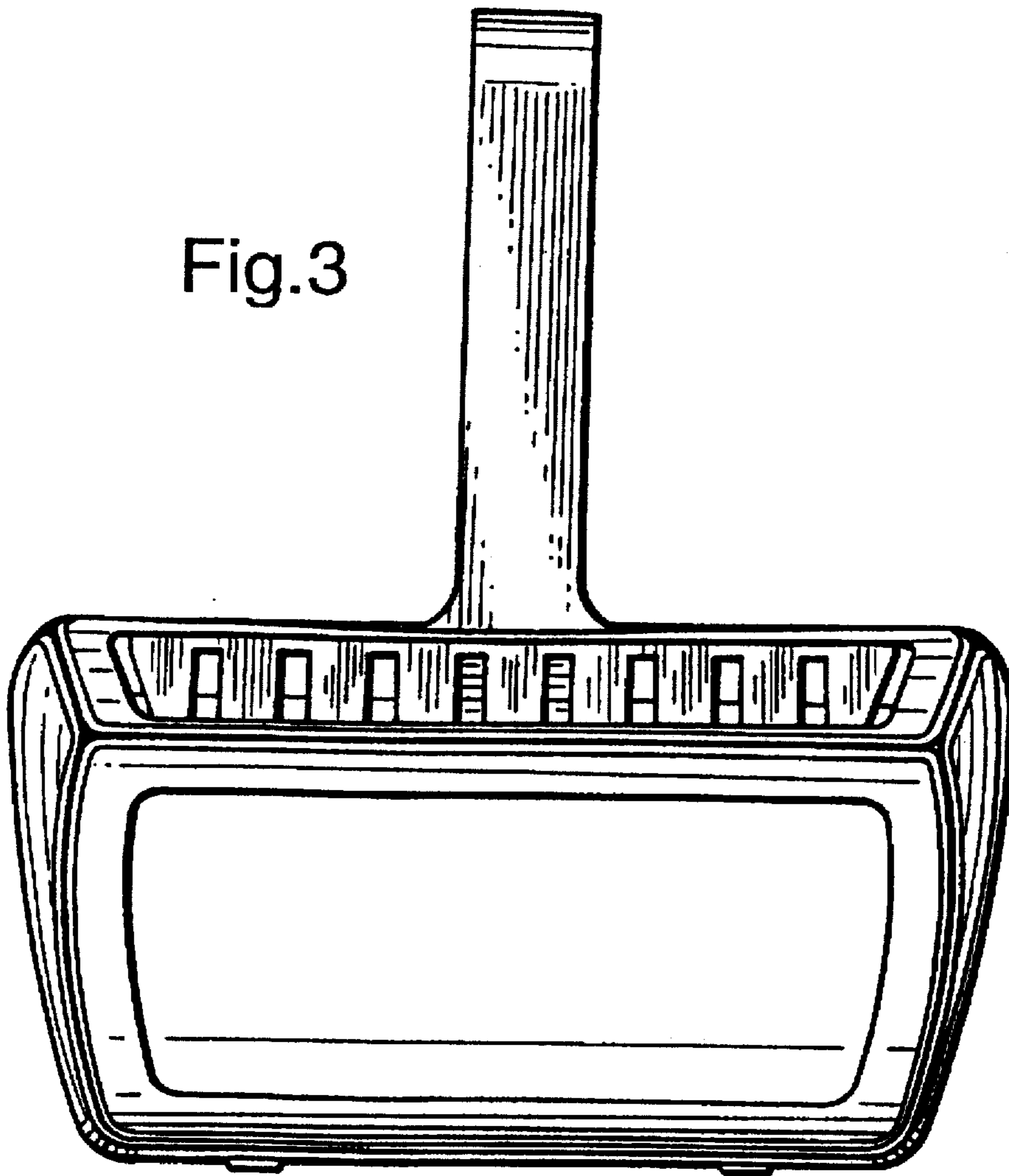
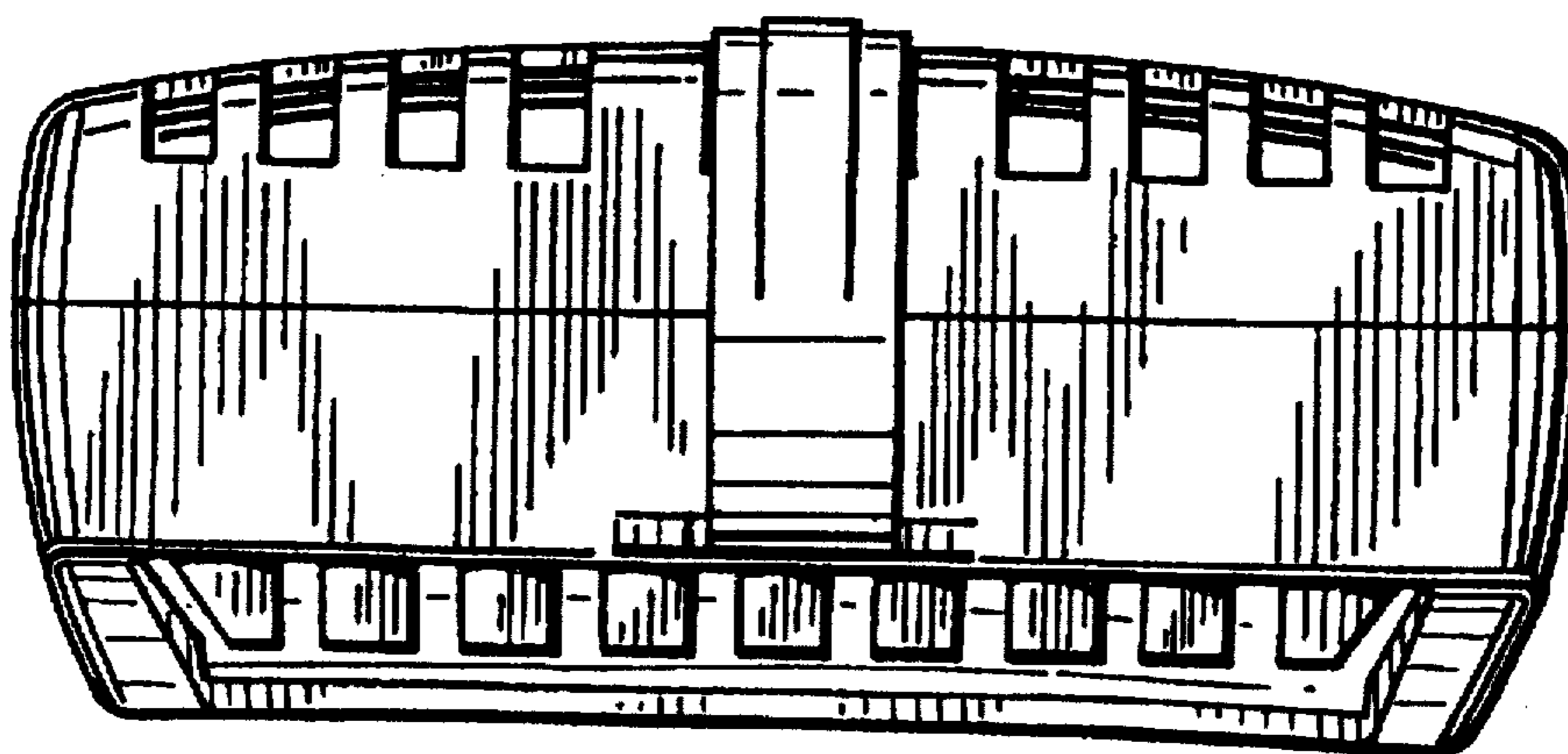


Fig.4



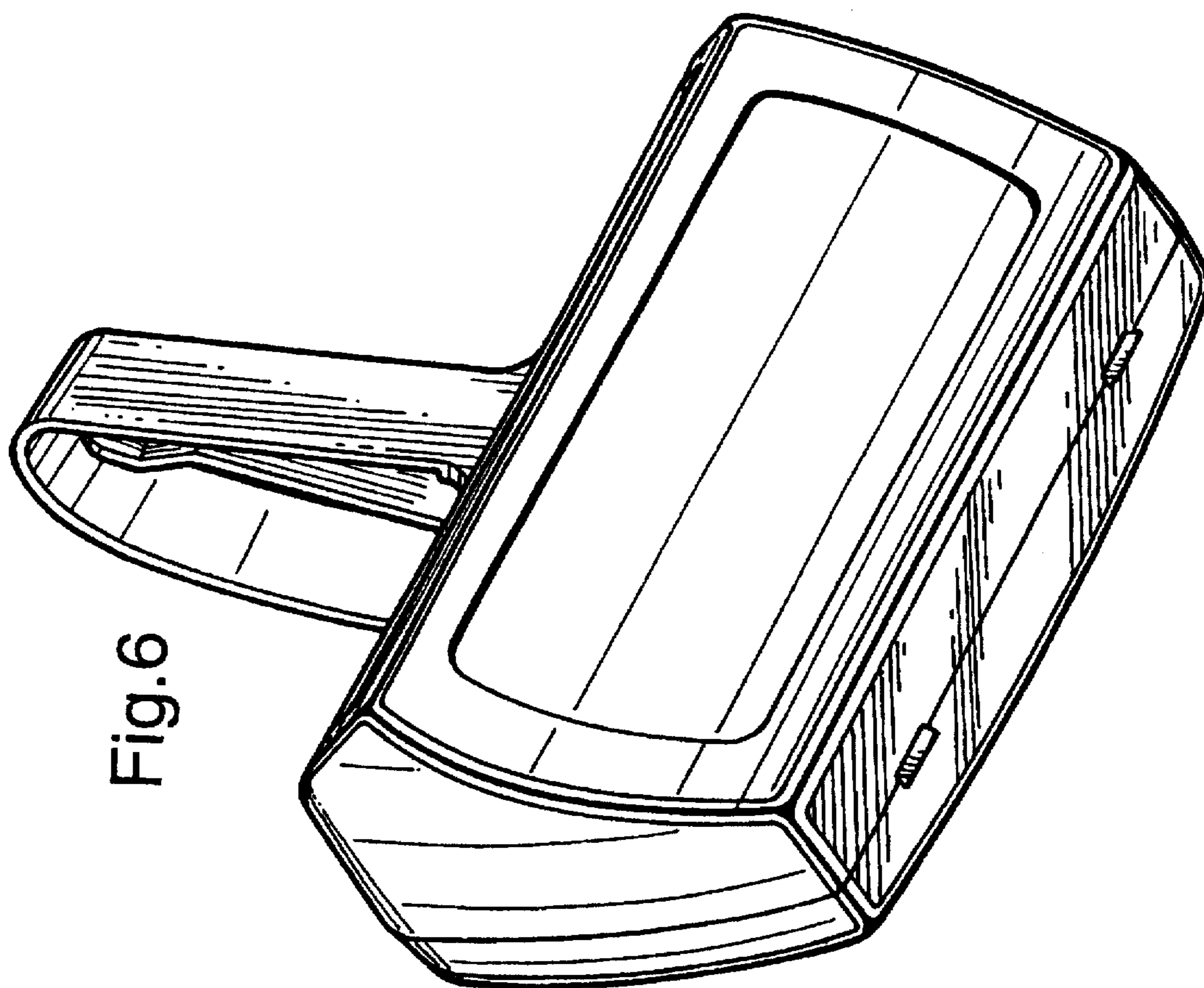


Fig. 6

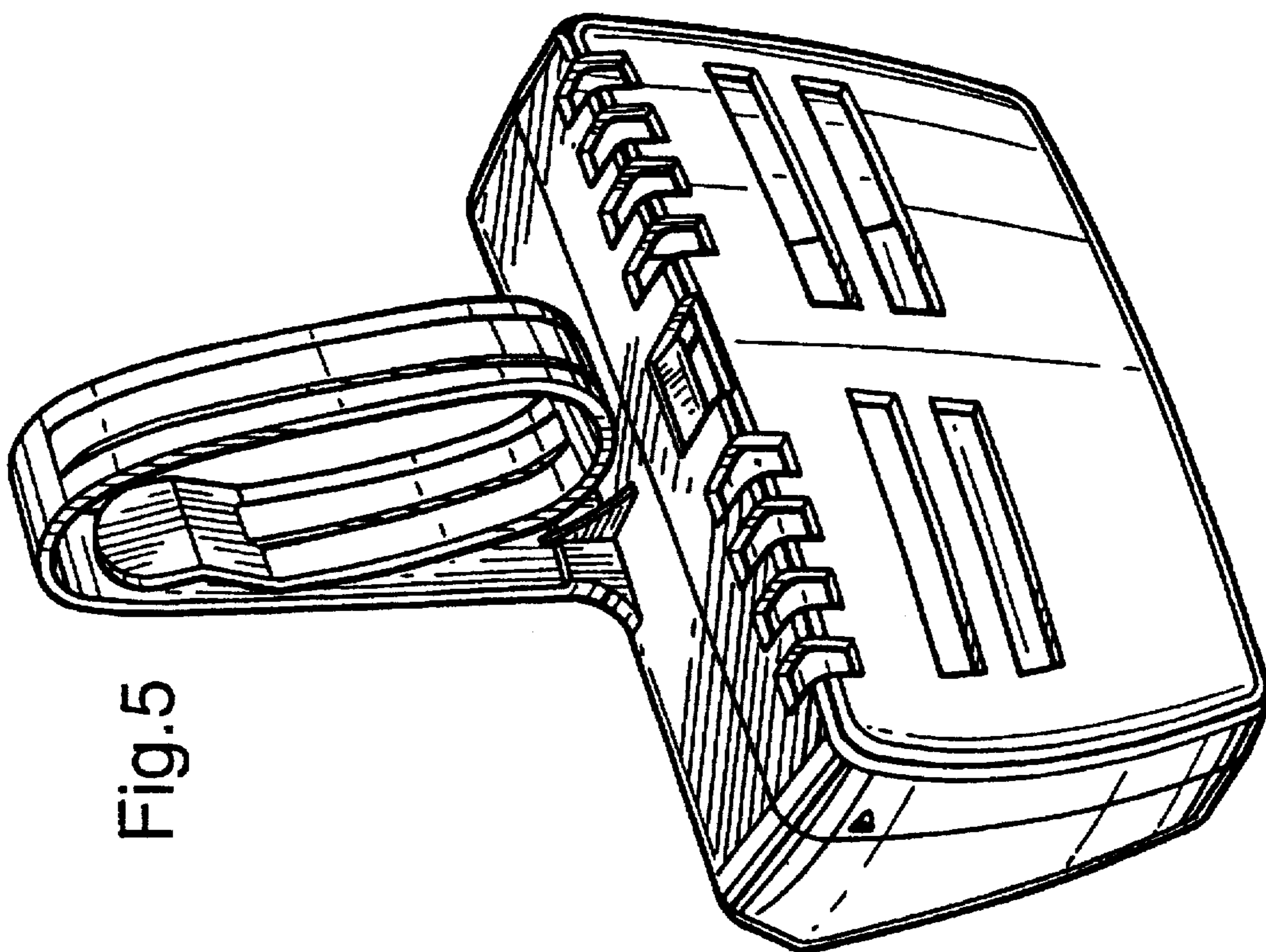


Fig. 5