



US00D387847S

# United States Patent [19]

Wadlington et al.

[11] Patent Number: **Des. 387,847**

[45] Date of Patent: **\*\*Dec. 16, 1997**

## [54] CYLINDRICAL STORAGE TANK

[75] Inventors: **David C. Wadlington; Mark Schack**, both of Gilbert, Ariz.; **G. Clinton Brookhart, Jr.**, Littleton, Colo.; **David P. Harris**, Fruitland Park, Fla.; **Thomas R. Lindquist**, Denair, Calif.

[73] Assignee: **Convault, Inc.**, Denair, Calif.

[\*\*] Term: **14 Years**

[21] Appl. No.: **60,501**

[22] Filed: **Sep. 30, 1996**

[51] LOC (6) Cl. .... **23-01**

[52] U.S. Cl. .... **D23/205; D23/202**

[58] Field of Search ..... **D23/200, 202, D23/203, 204, 205; 220/4.12, 4.14, 561, 565, 567**

Highland Tank & Mfg. Co. Plots showing dimensions of 12,000-gal and 6000-gal tanks (Dec. 3, 1993).

LRS, Inc., South El Monte, CA. Bulletin showing Fuelmaster® above-ground fuel systems Apr., 1991).

Service Welding and Machine Co., Inc., Louisville, KY. Advertisement for Permatanks® tank (Sep./Oct., 1995).

Simplx, Inc., Springfield, Il. Literature re FuelSafe™ tank (1992).

Hallmark Tank Vault III. Advertisement for tank. Aug. 1994.

*Primary Examiner*—Alan P. Douglas

*Assistant Examiner*—Robin V. Taylor

*Attorney, Agent, or Firm*—Townsend and Townsend and Crew LLP

## [57] CLAIM

The ornamental design for a cylindrical storage tank, as shown and described.

## DESCRIPTION

FIG. 1 is a front, right side perspective view of a cylindrical storage tank showing our new design;

FIG. 2 is a top plan view thereof;

FIG. 3 is a front elevational view thereof, the rear elevational view being a mirror image;

FIG. 4 is a right side elevational view, the left side elevational view being a mirror image; and,

FIG. 5 is a bottom plan view thereof.

**1 Claim, 2 Drawing Sheets**

## References Cited

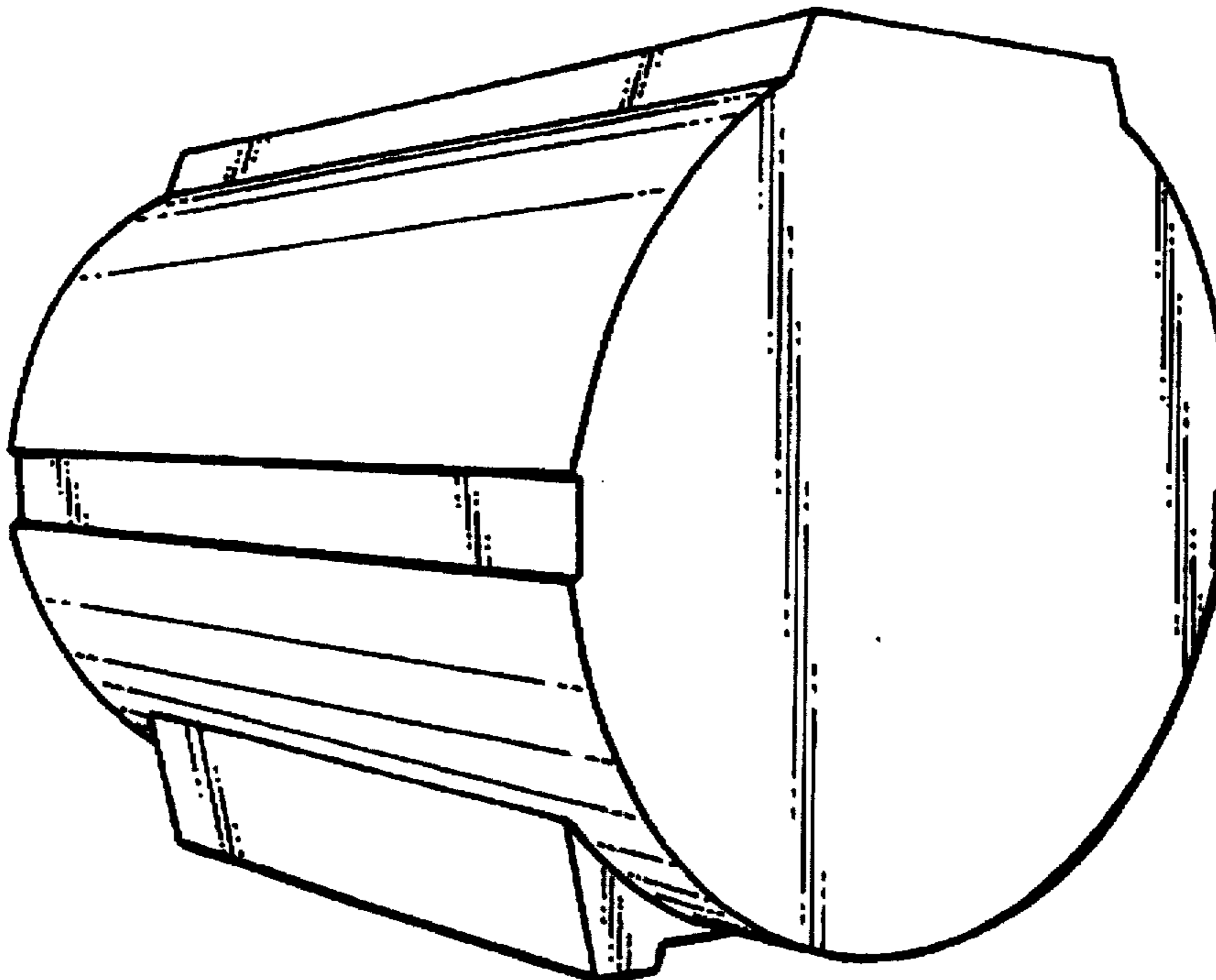
### U.S. PATENT DOCUMENTS

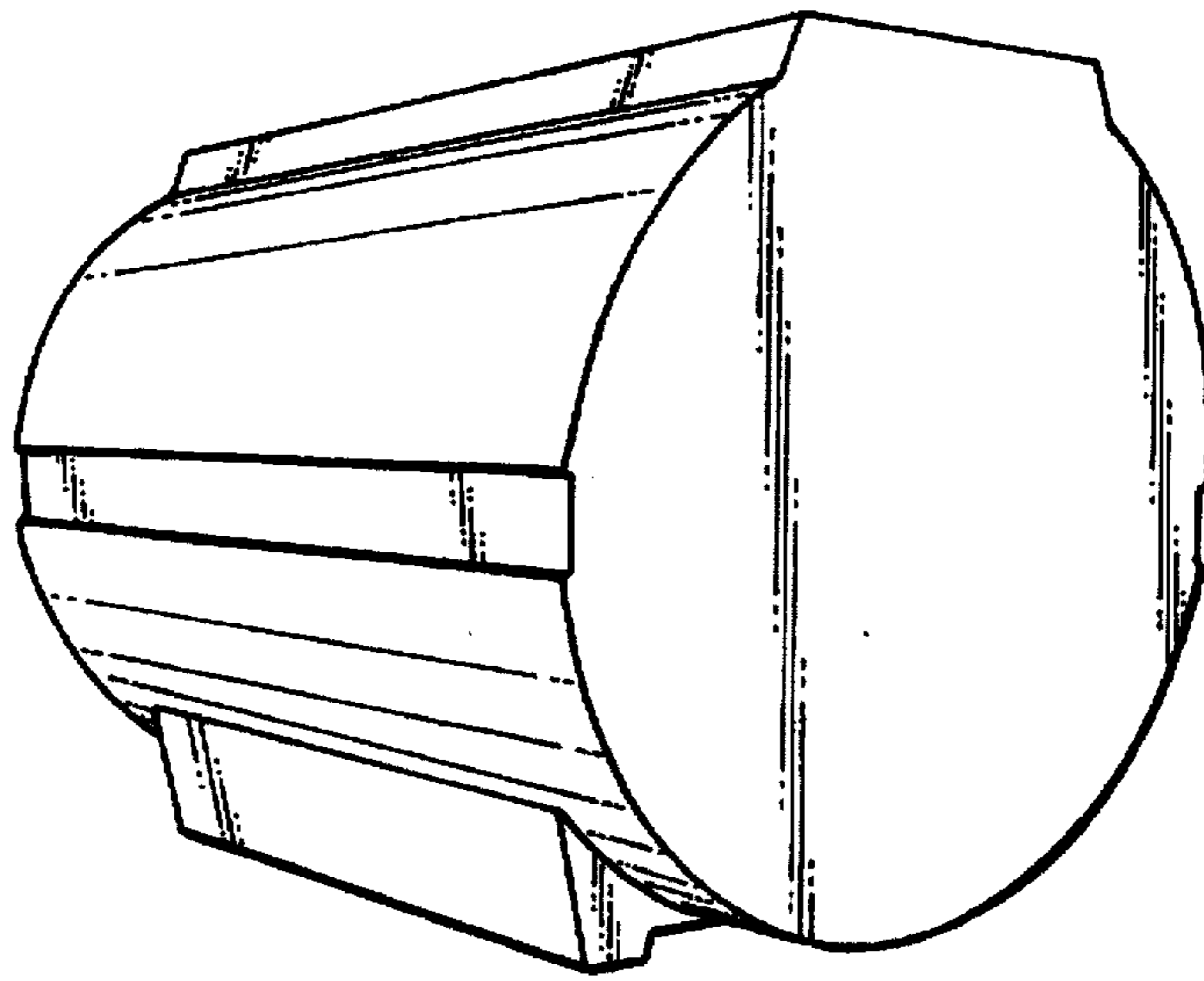
D. 207,693	5/1967	Haug et al.	.....	D23/202
D. 233,752	11/1974	Scheffler	.....	D23/205
D. 353,437	12/1994	Getty et al.	.....	D23/202
1,281,528	10/1918	Davis	.....	D23/203
5,249,698	10/1993	Cruver et al.	.....	220/565
5,564,588	10/1996	Reese	.....	220/565

### OTHER PUBLICATIONS

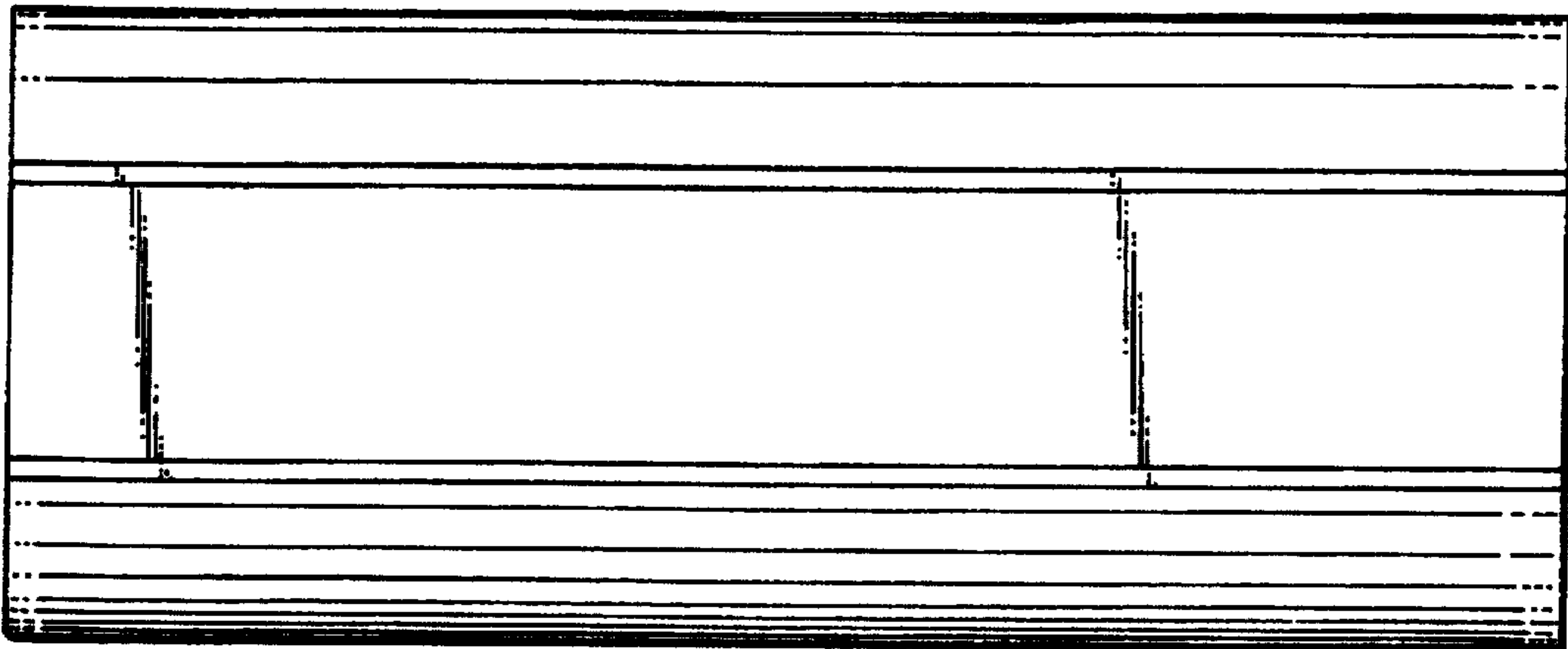
Butler Butt-Welded Storage Tanks catalog, Oil burner tank #60V, p. 45, 1939.

Ace Tank & Equipment Co., Seattle, WA. Literature re FuelSafe™ tank (Mar. 20, 1991).

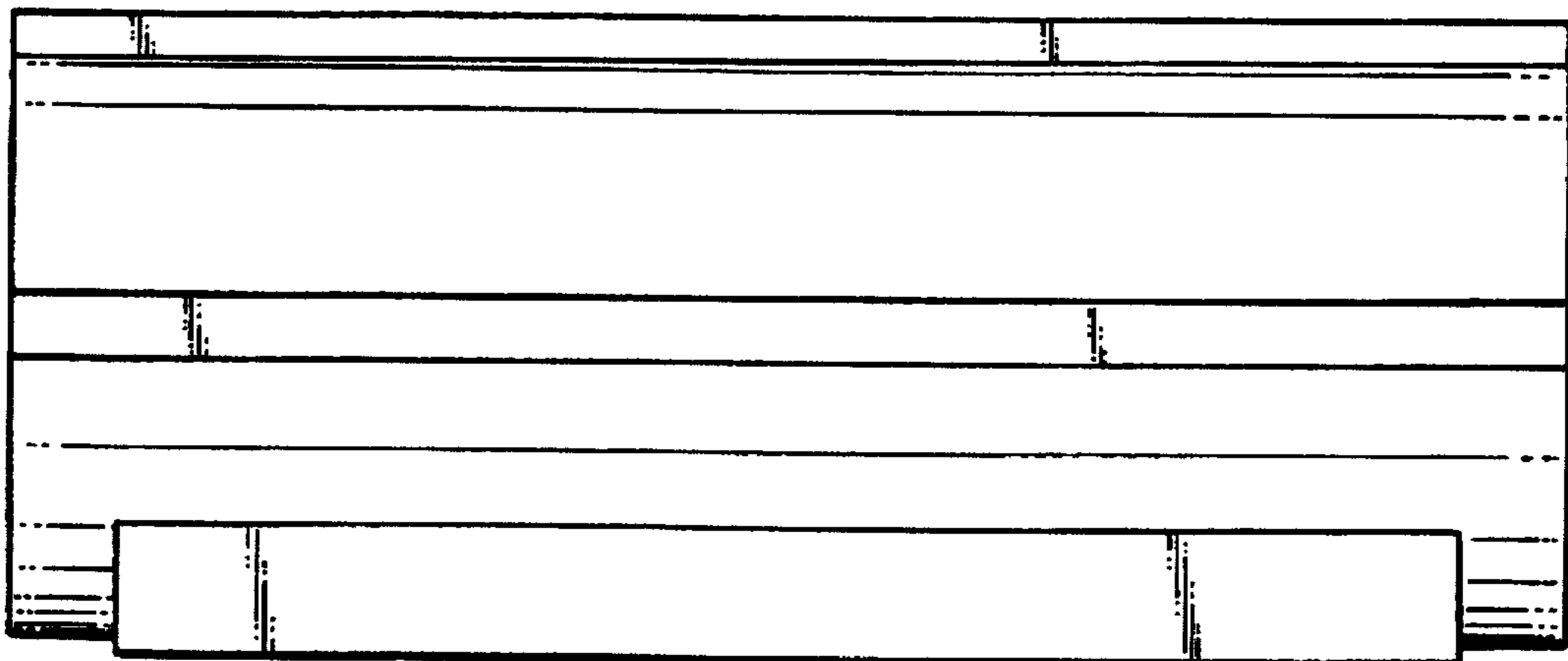




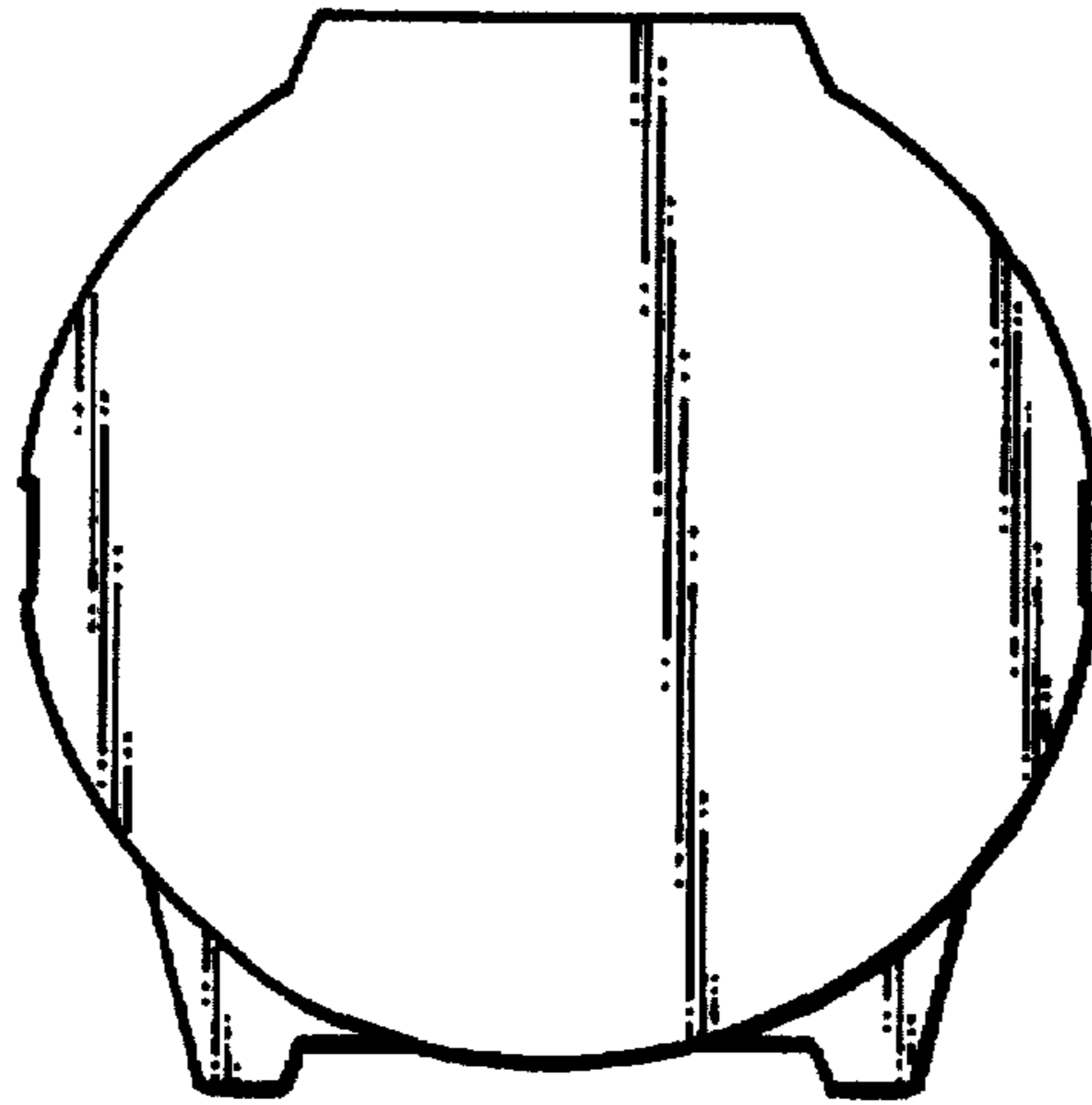
**FIG. 1.**



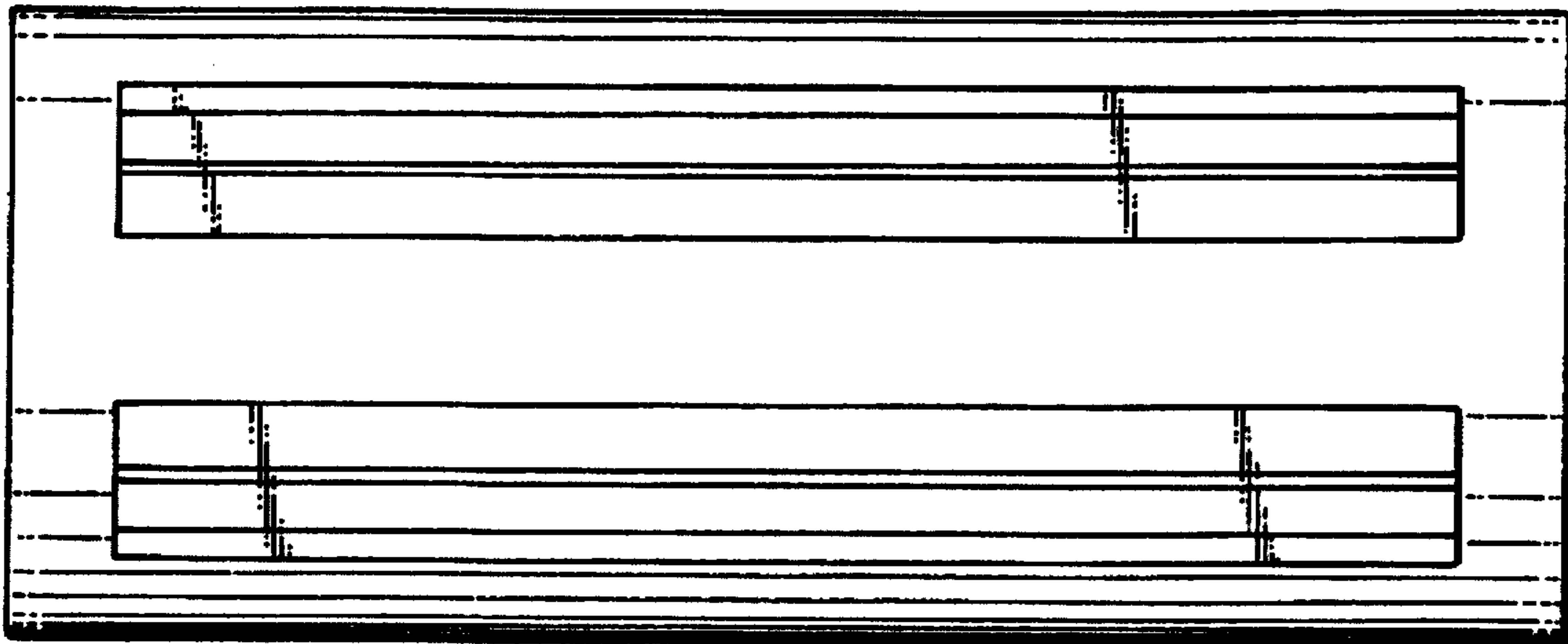
**FIG. 2.**



**FIG. 3.**



*FIG. 4.*



*FIG. 5.*