



US00D387844S

United States Patent [19]

Emerson

[11] Patent Number: **Des. 387,844**

[45] Date of Patent: ****Dec. 16, 1997**

- [54] **FRONT SIGHT FOR A FIREARM**
- [75] Inventor: **Ashley C. Emerson, Ft. Worth, Tex.**
- [73] Assignee: **Ashley Outdoors, Inc., Fort Worth, Tex.**
- [**] Term: **14 Years**
- [21] Appl. No.: **61,681**
- [22] Filed: **Oct. 28, 1996**
- [51] **LOC (6) Cl. 22-01**
- [52] **U.S. Cl. D22/109; D22/108; D22/100**
- [58] **Field of Search D22/108, 109, D22/199; 33/233, 245, 247, 252; 42/100, 101, 103**

2,306,972	12/1942	Meisel	33/247
3,495,339	2/1970	Elliason	42/100 X
3,641,676	2/1972	Knutsen et al.	42/100 X
3,645,635	2/1972	Steck	42/100 X
3,991,500	11/1976	Kershner et al.	42/100

Primary Examiner—Louis S. Zarfes
Assistant Examiner—Monica A. Weingart
Attorney, Agent, or Firm—Charles W. McHugh

[57] CLAIM

The ornamental design for a “front sight for a firearm,” as shown and described.

DESCRIPTION

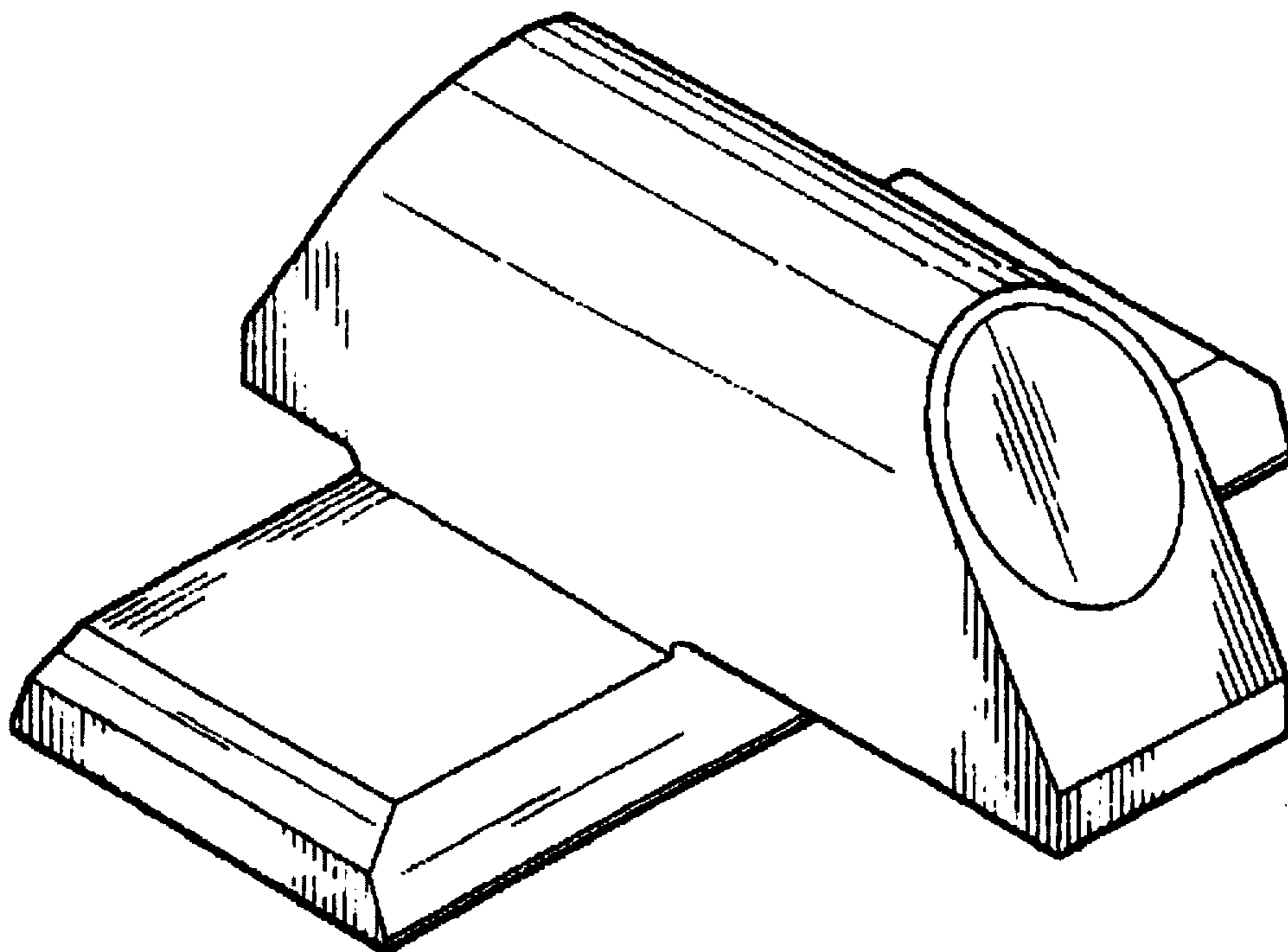
FIG. 1 is a perspective view of a “front sight for a firearm,” showing my new design from the rear;
 FIG. 2 is a left side elevational view thereof;
 FIG. 3 is a top plan view thereof;
 FIG. 4 is a rear elevational view thereof;
 FIG. 5 is a bottom plan view thereof; and,
 FIG. 6 is a front elevational view thereof.

[56] References Cited

U.S. PATENT DOCUMENTS

D. 360,454	7/1995	De Paoli	D22/109
651,514	6/1900	Sheard	33/233

1 Claim, 1 Drawing Sheet



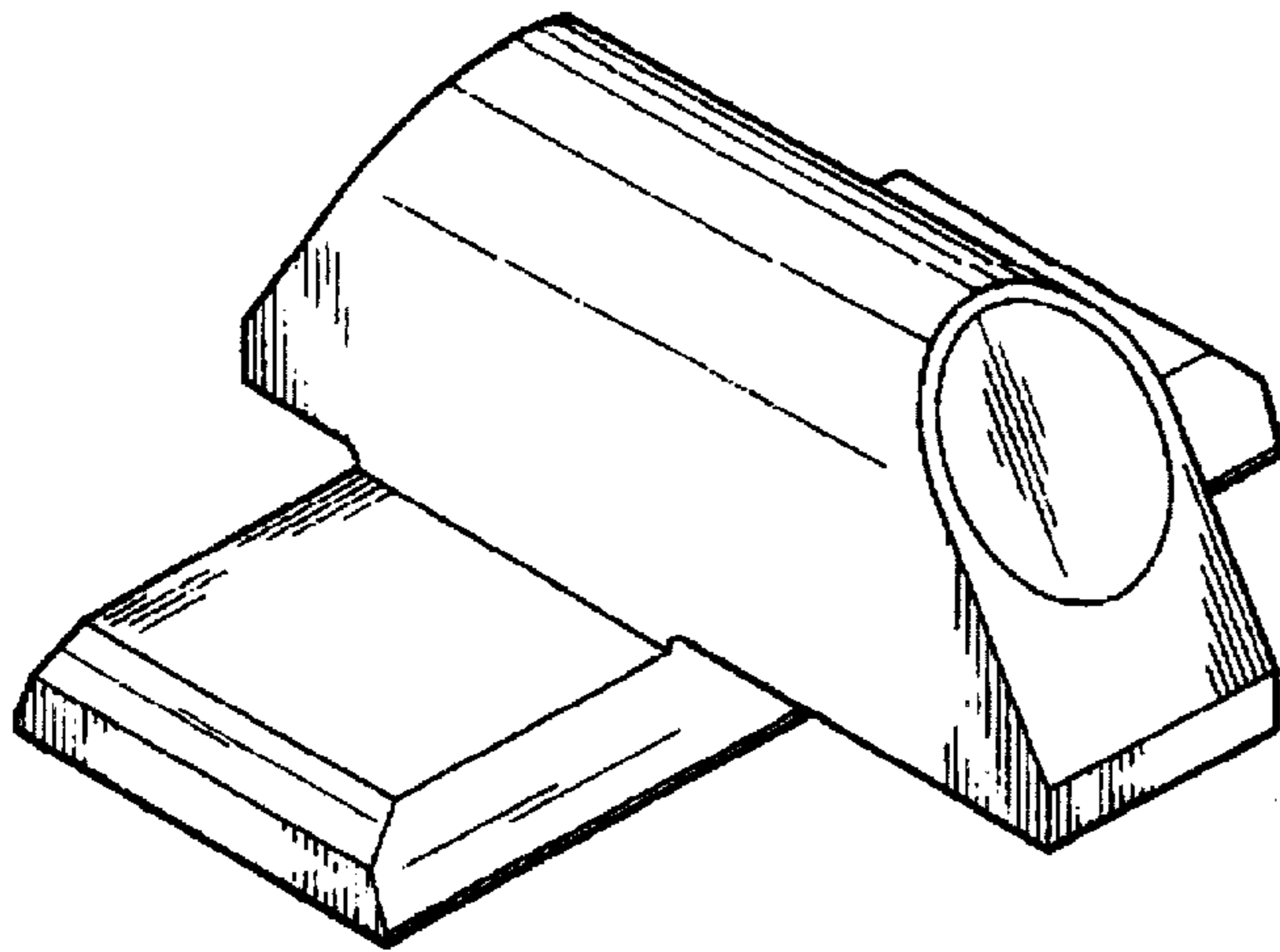


FIG. 1

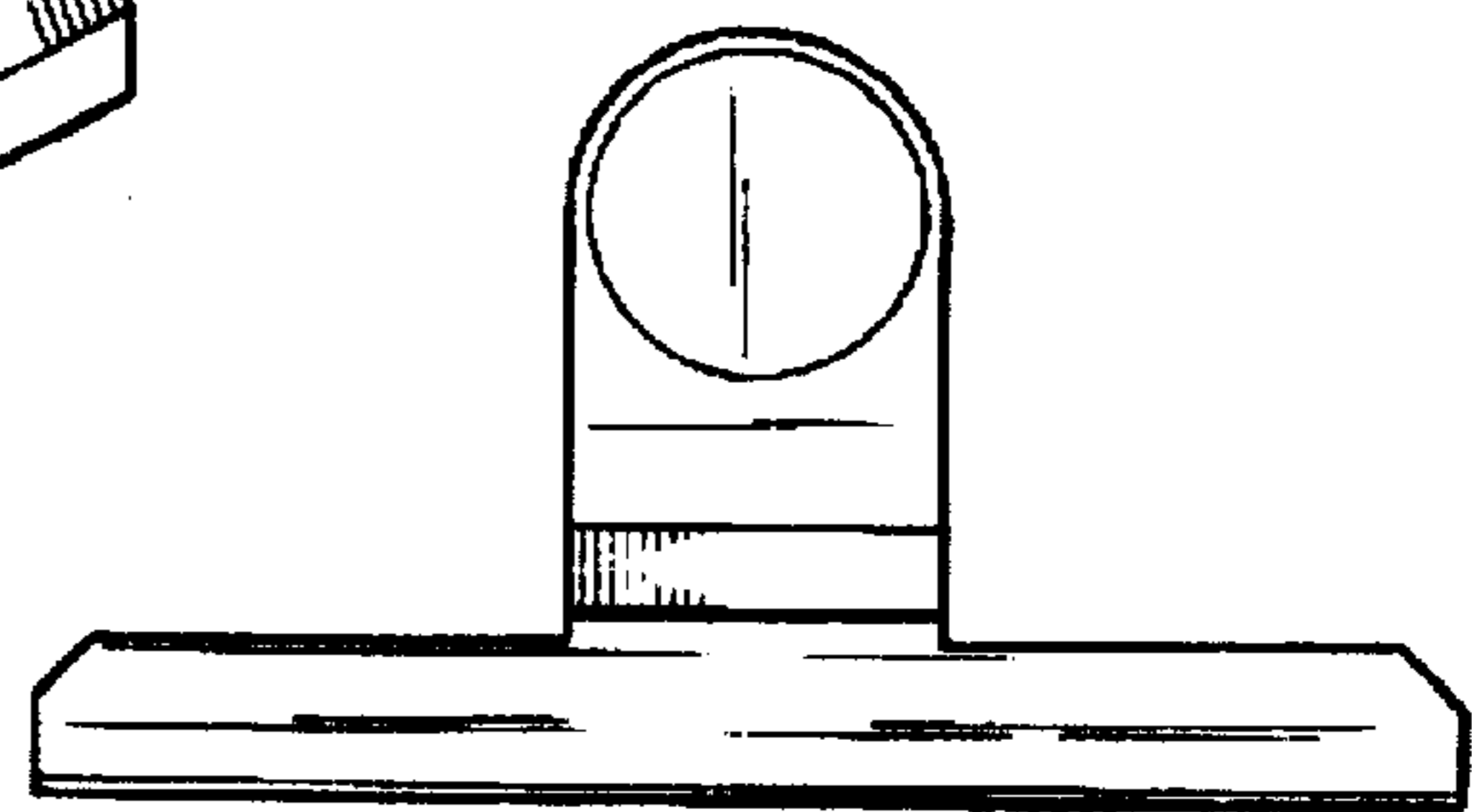


FIG. 4

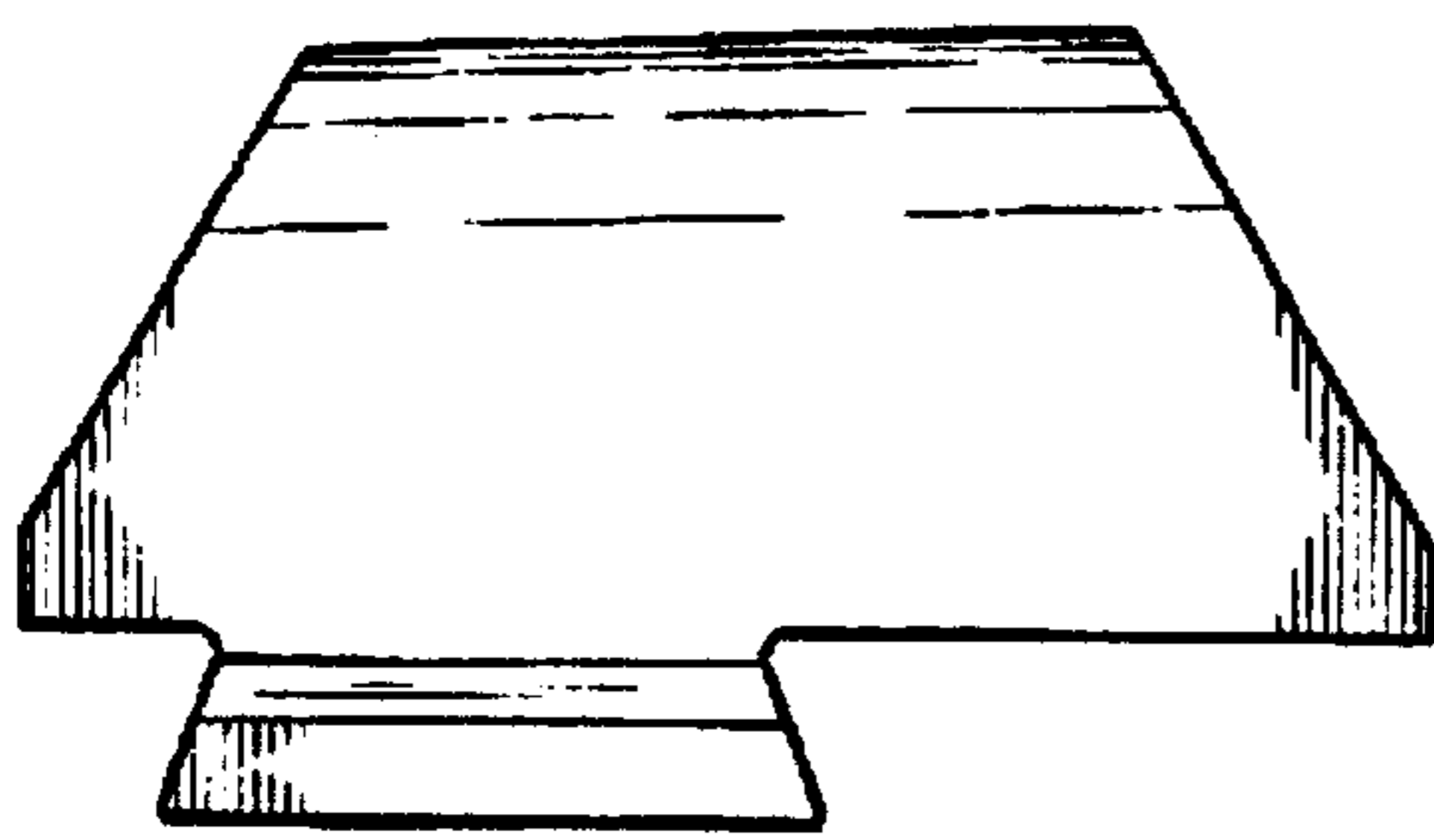


FIG. 2

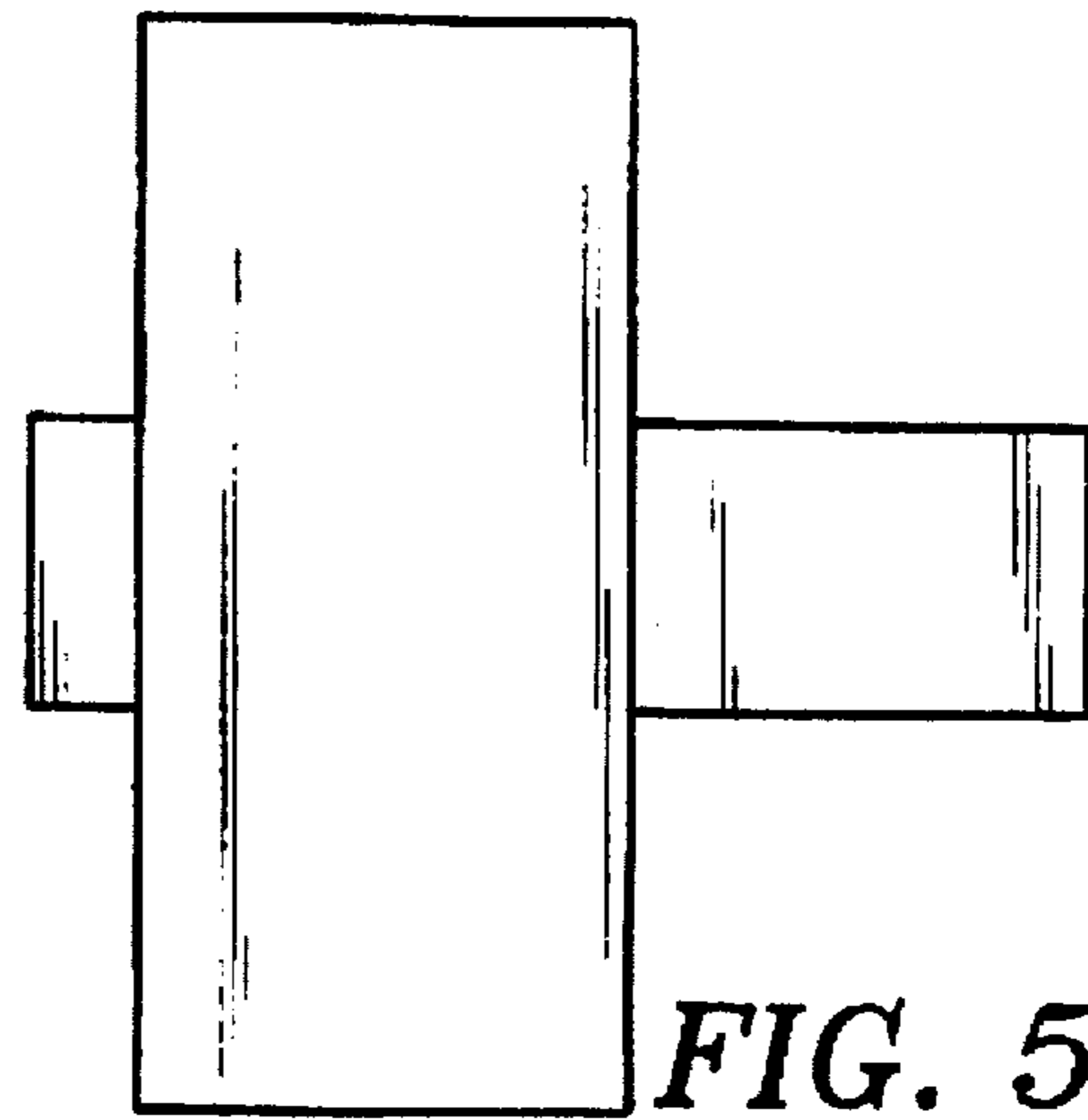


FIG. 5

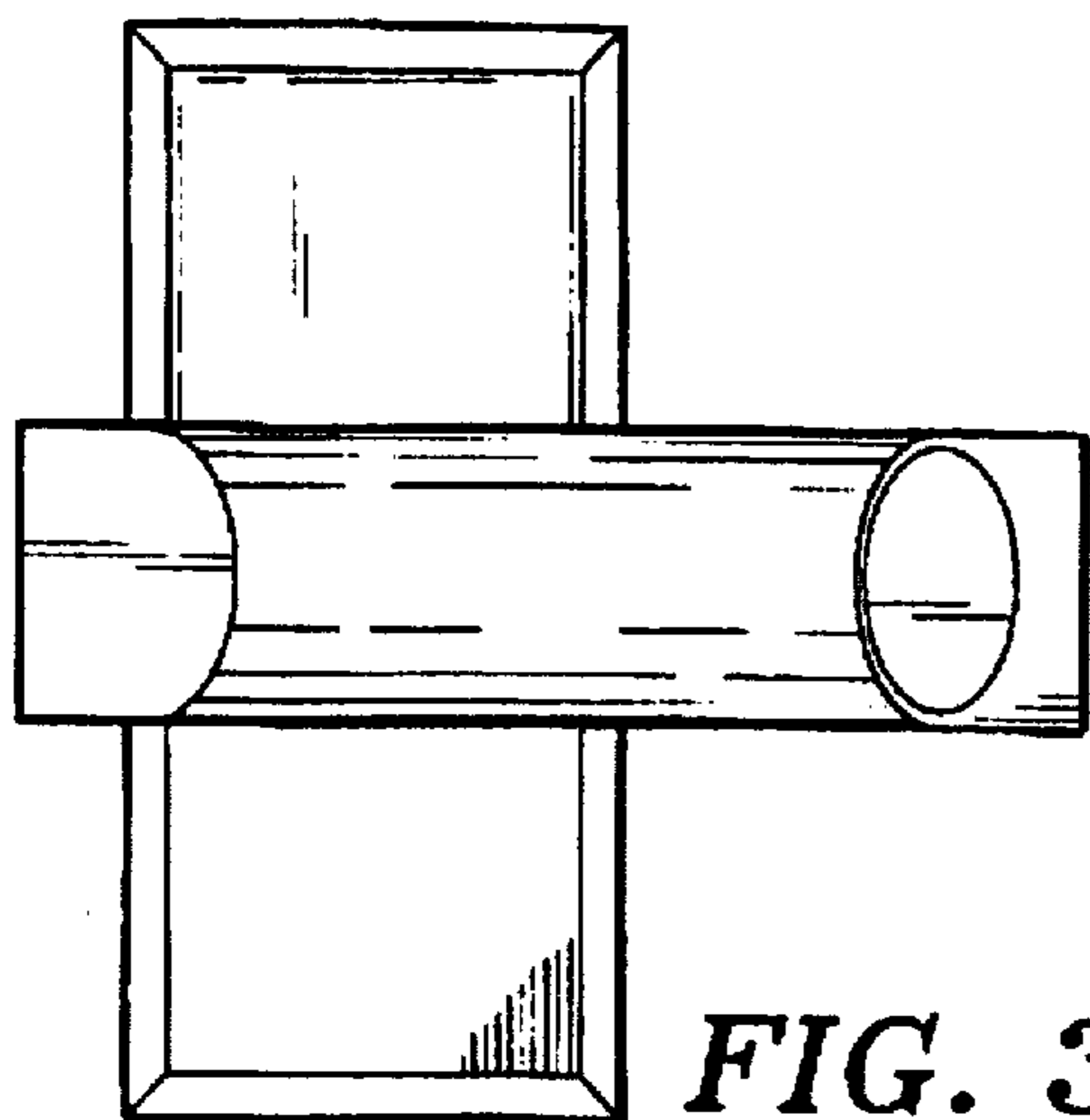


FIG. 3

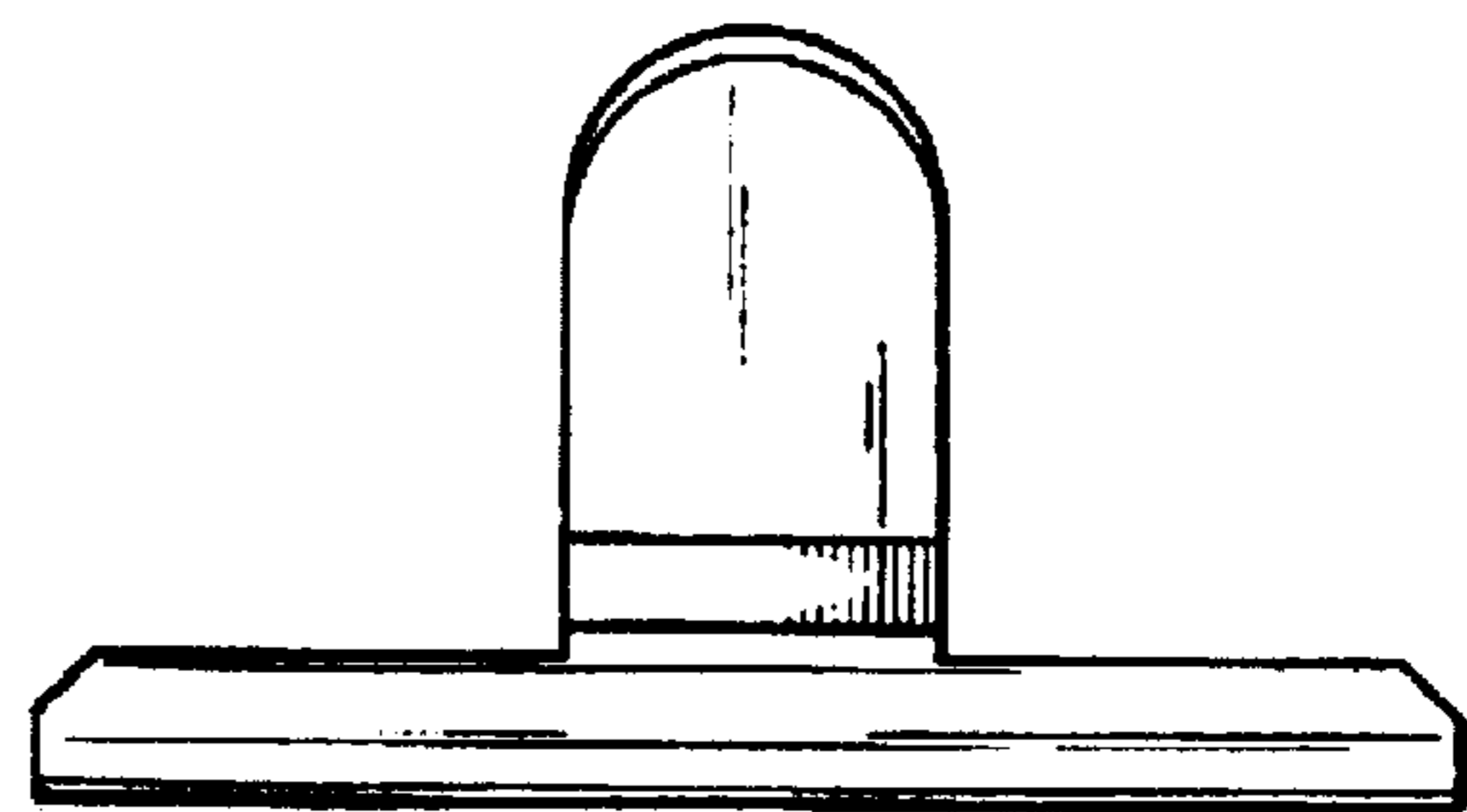


FIG. 6