



US00D387843S

United States Patent [19]

[11] Patent Number: Des. 387,843

Brotzke et al.

[45] Date of Patent: **Dec. 16, 1997

[54] BOW SIGHT

[76] Inventors: **Gerald F. Brotzke**, 3955 Cheyenne Ct., Oxford, Mich. 48370; **Frederick E. Brotzke**, 2974 Baldwin Rd., Lapeer, Mich. 48446

[**] Term: 14 Years

[21] Appl. No.: 56,817

[22] Filed: Jul. 9, 1996

[51] LOC (6) Cl. 22-01

[52] U.S. Cl. D22/107; D22/100

[58] Field of Search D22/100, 107, D22/199; 124/86, 87; 33/265

[56] **References Cited**

U.S. PATENT DOCUMENTS

D. 358,445	5/1995	Riddle, Jr.	D22/107
4,215,485	8/1980	Mesler	124/87 X
4,570,352	2/1986	Leal .	
4,833,786	5/1989	Shores .	
4,915,088	4/1990	Powers .	
4,967,478	11/1990	Sherman .	
4,977,678	12/1990	Sears .	

4,982,503	1/1991	Land .	
5,048,193	9/1991	Hacquet	D22/107 X
5,398,420	3/1995	Kleinschmidt	124/87 X
5,517,979	5/1996	Closson	124/86
5,566,665	10/1996	Stinson	124/86

Primary Examiner—Louis S. Zarfes
Assistant Examiner—Monica A. Weingart
Attorney, Agent, or Firm—Harness, Dickey & Pierce, P.L.C.

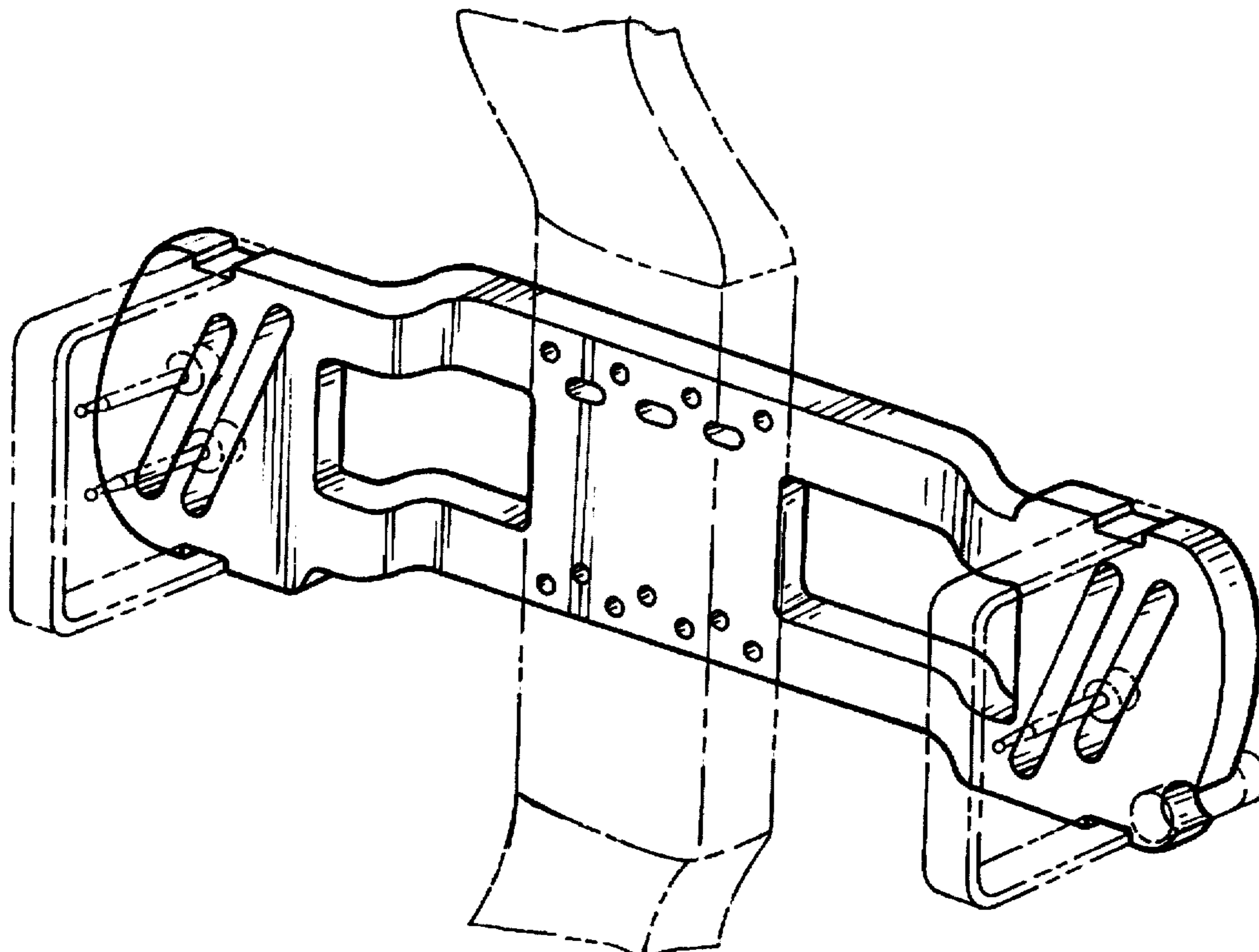
[57] **CLAIM**

The ornamental design for a bow sight, as shown and described.

DESCRIPTION

FIG. 1 is a top, rear perspective view of a bow sight showing our new design;
FIG. 2 is a right side elevational view thereof;
FIG. 3 is a left side elevational view thereof;
FIG. 4 is a bottom plan view thereof;
FIG. 5 is a top plan view thereof;
FIG. 6 is a front elevational view thereof; and,
FIG. 7 is a rear elevational view thereof.
The broken line showing of a bow in FIG. 1 is for illustrative purposes only and forms no part of the claimed design.

1 Claim, 2 Drawing Sheets



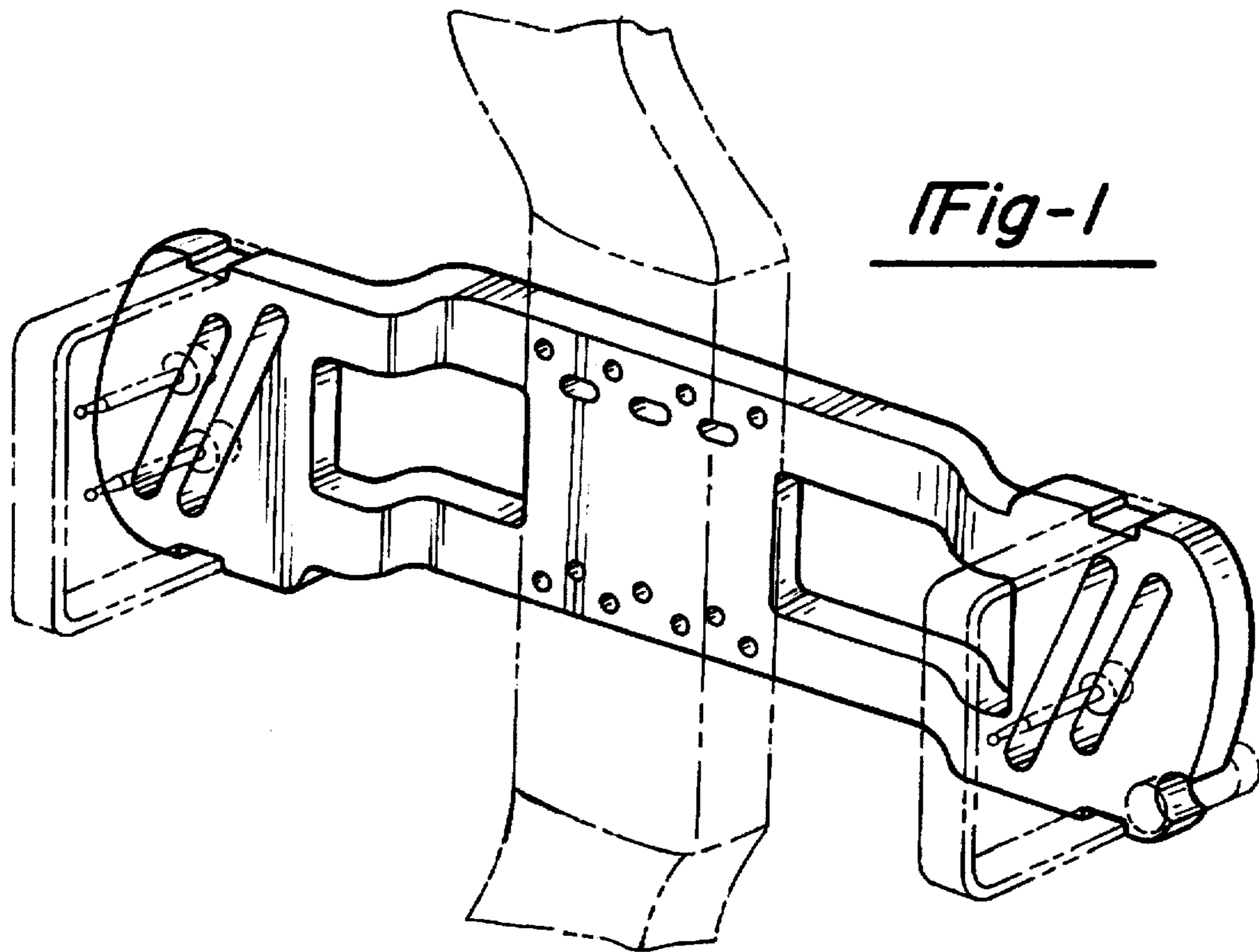


Fig-1

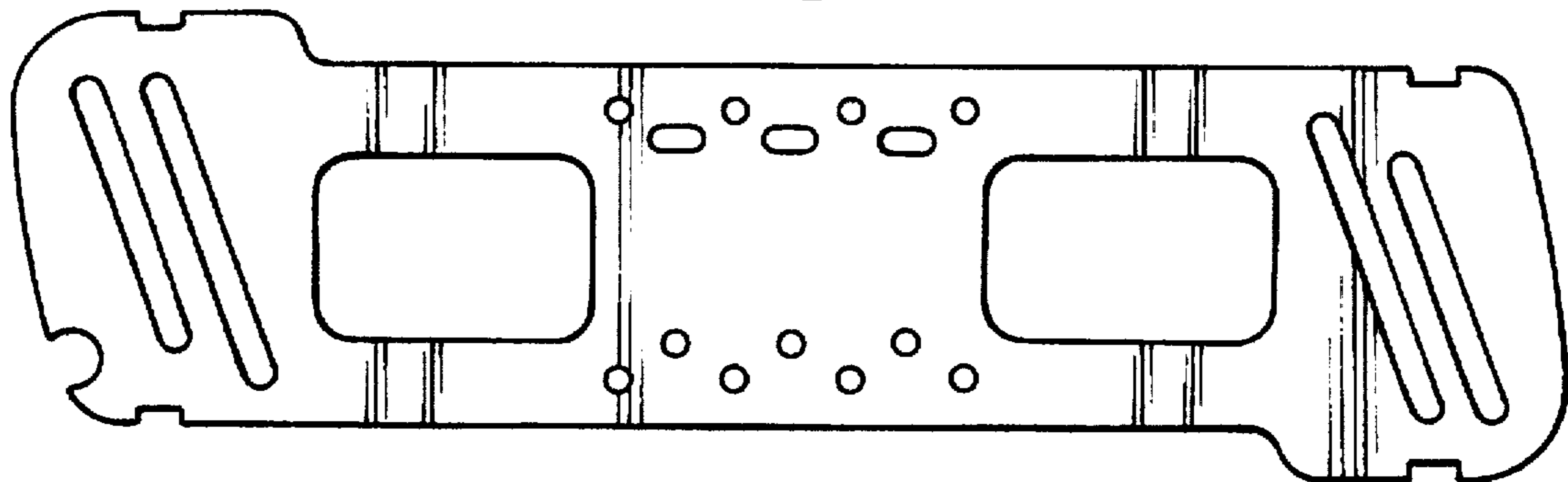


Fig-2

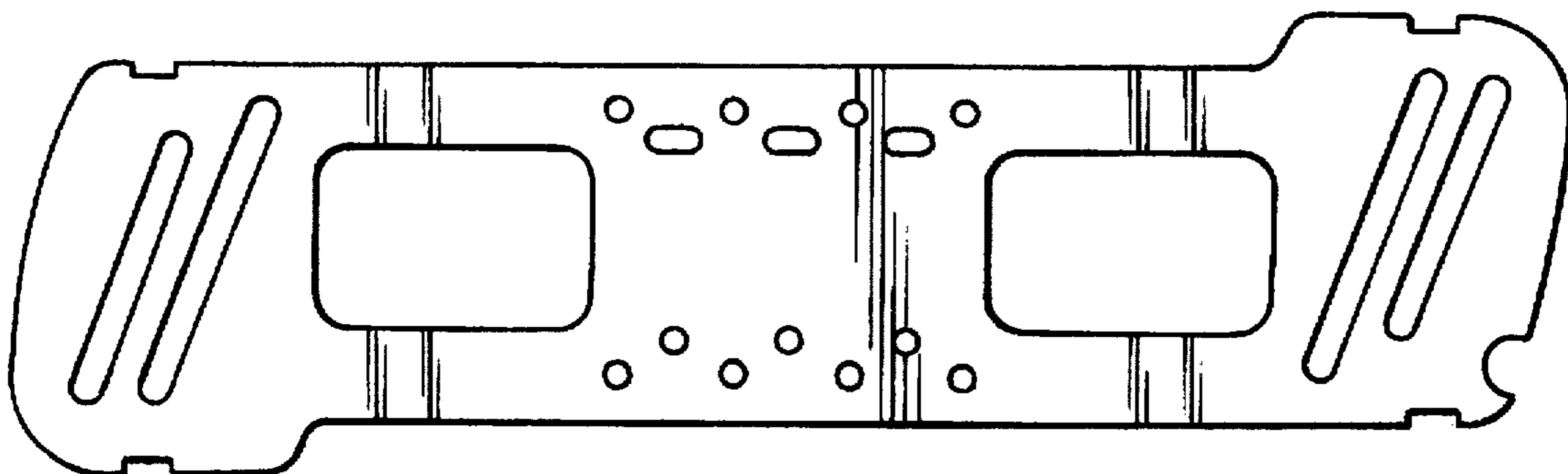


Fig-3

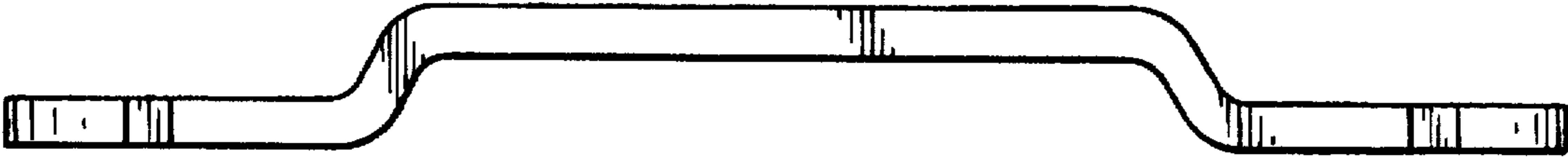


Fig-4



Fig-5



Fig-6



Fig-7