



US00D387842S

United States Patent [19]
Kaminski et al.

[11] **Patent Number: Des. 387,842**
[45] **Date of Patent: **Dec. 16, 1997**

[54] **PISTOL**
[75] **Inventors: Kevin A. Kaminski, Plainville, Conn.;
Douglas G. Overbury, Strathroy,
Canada**

3,159,080 12/1964 Freed 89/148
4,777,754 10/1988 Reynolds, Jr. 362/110 X
5,375,362 12/1994 McGarry et al. 42/103
5,522,167 6/1996 Teetzel 362/113 X

OTHER PUBLICATIONS

[73] **Assignee: Colt's Manufacturing Company, Inc.,
West Hartford, Conn.**

Police, Aug. 1992, p. 121, "T-1000 Lasersight Pistol" top of page, Aug. 1992.

[**] **Term: 14 Years**

Primary Examiner—Louis S. Zarfaz
Assistant Examiner—Monica A. Weingart
Attorney, Agent, or Firm—Perman & Green, LLP

[21] **Appl. No.: 62,149**

[22] **Filed: Nov. 8, 1996**

[57] **CLAIM**

[51] **LOC (6) Cl. 22-01**

The ornamental design for a pistol, as shown and described.

[52] **U.S. Cl. D22/104; D22/101; D22/100**

DESCRIPTION

[58] **Field of Search D22/100, 101,
D22/103, 104, 105, 107, 108, 109, 110,
116, 199; D21/145, 146, 147; 33/233, 252;
42/18, 49.01, 51, 54, 57, 70.08, 100, 103;
89/44.01, 136, 148, 177, 198; 362/110,
113, 114**

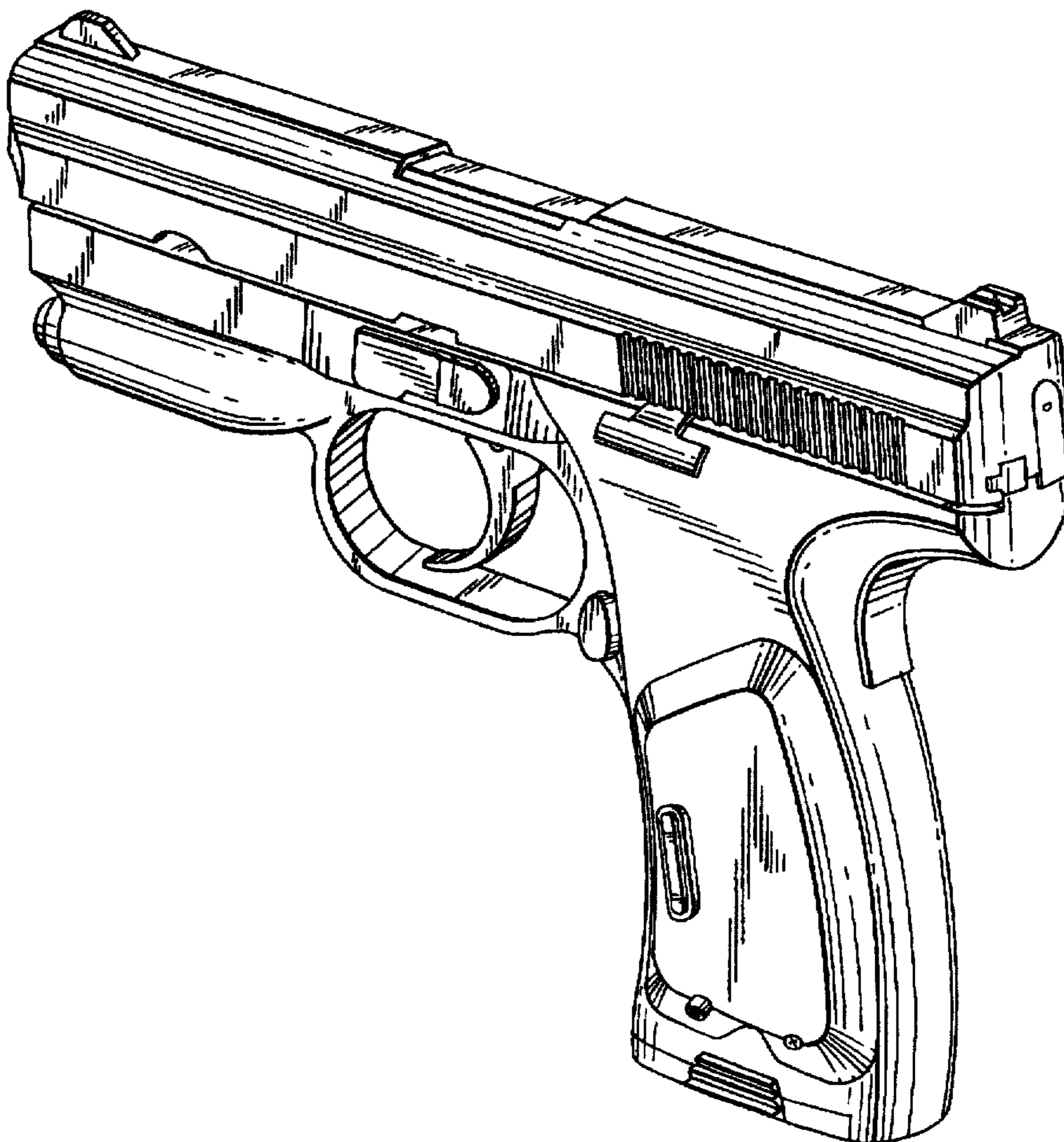
FIG. 1 is a perspective left side, rear, and top view of a pistol showing our new design;
FIG. 2 is a top plan view thereof;
FIG. 3 is a left side elevational view thereof;
FIG. 4 is a rear elevational view thereof;
FIG. 5 is a front elevational view thereof;
FIG. 6 is a right side elevational view thereof; and,
FIG. 7 is a bottom plan view thereof.

[56] **References Cited**

U.S. PATENT DOCUMENTS

D. 359,788 6/1995 Ruger et al. D22/104

1 Claim, 5 Drawing Sheets



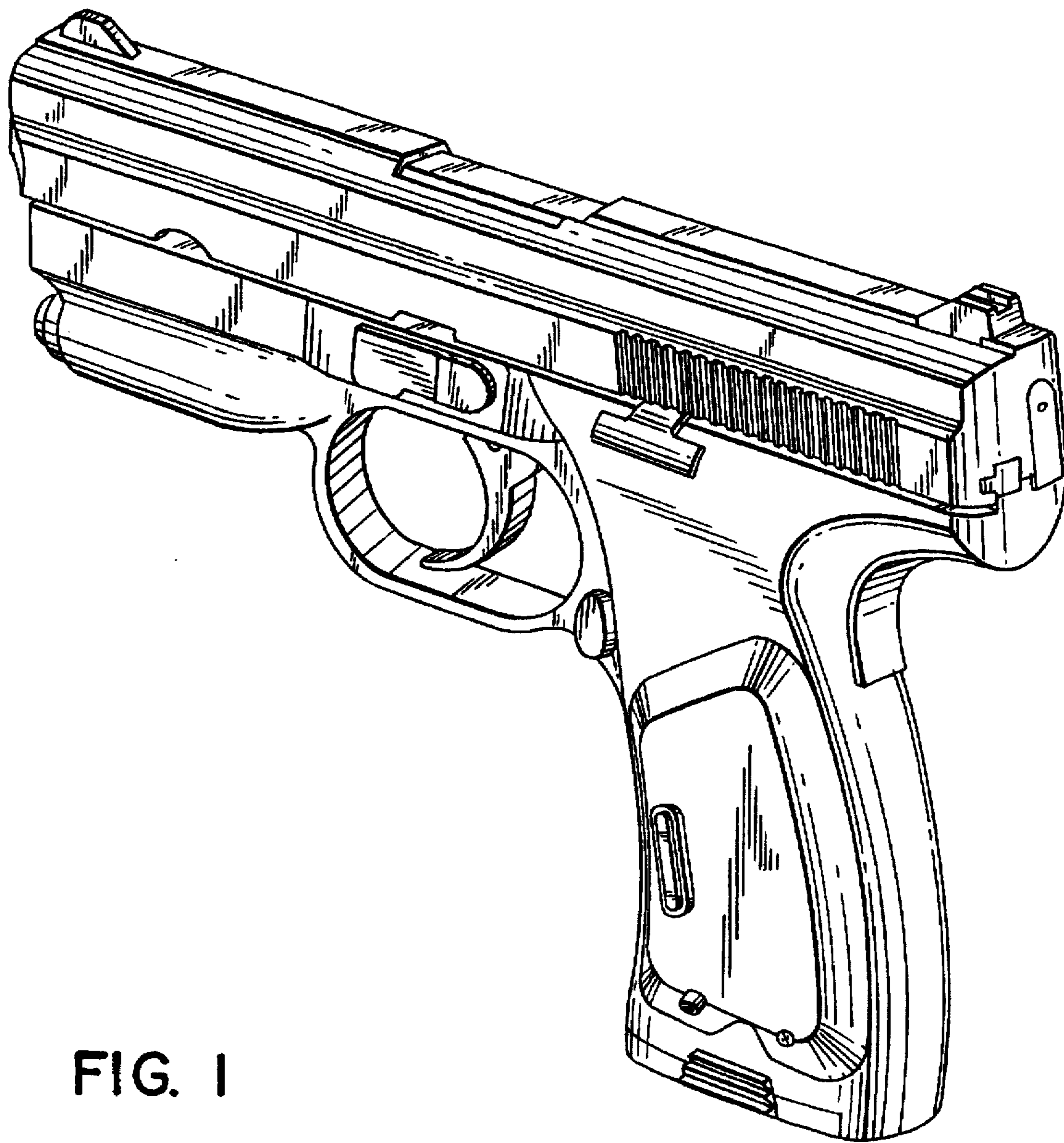


FIG. 1

FIG. 2

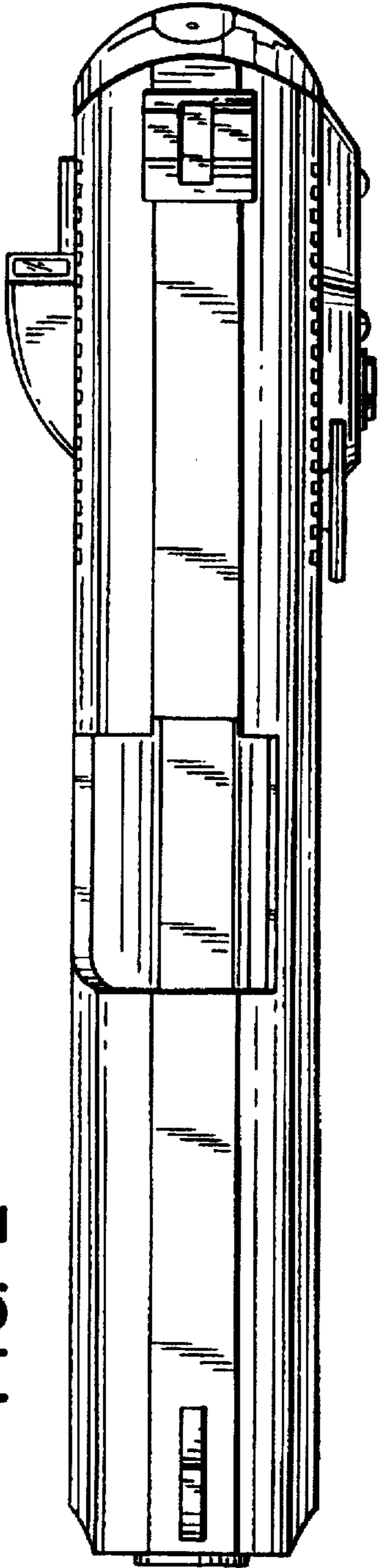
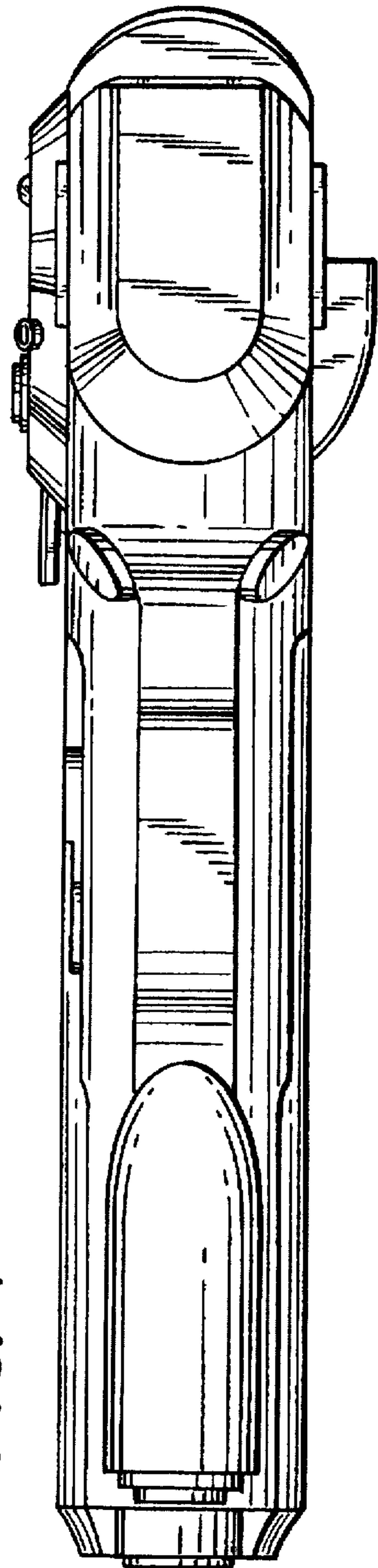


FIG. 7



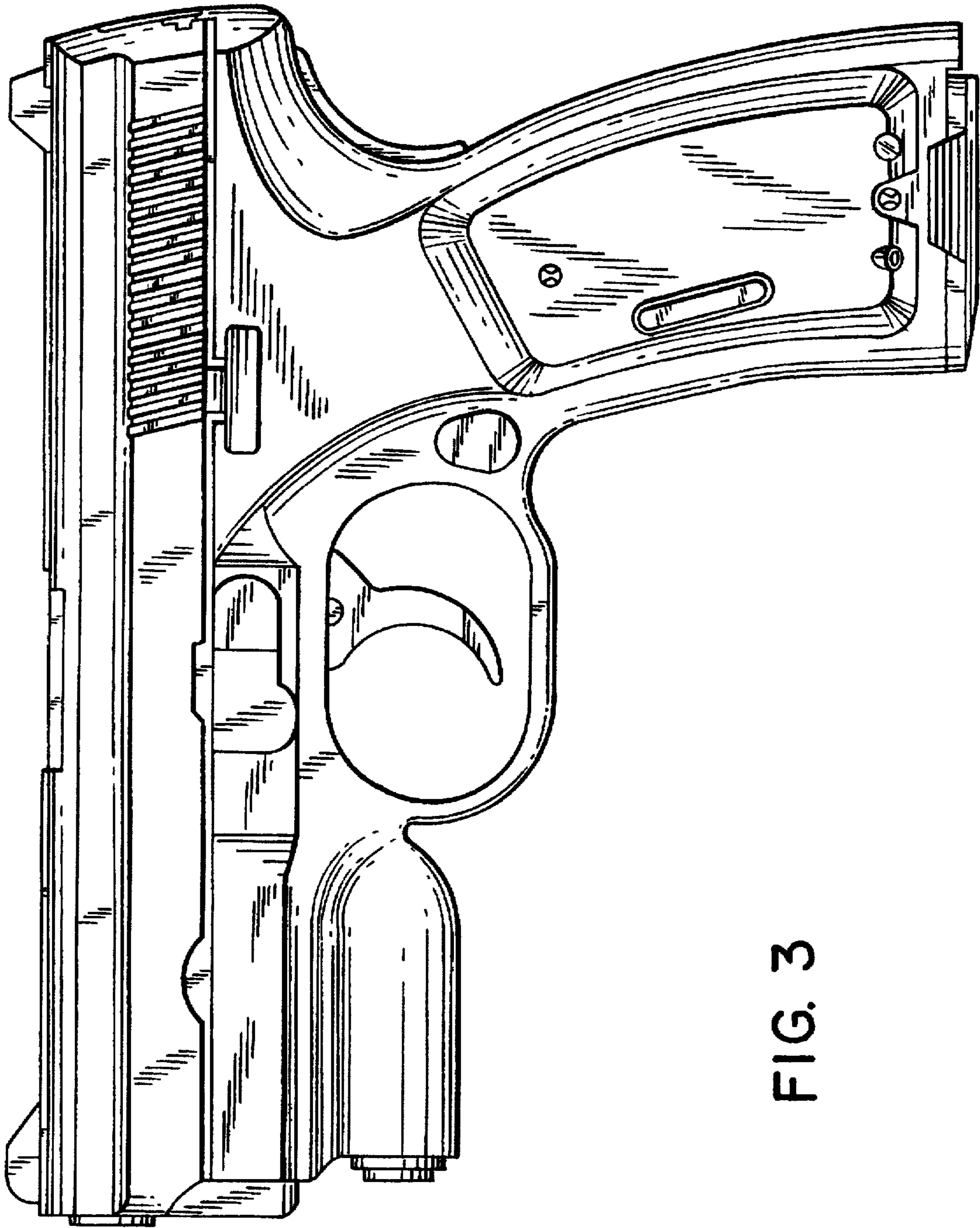


FIG. 3

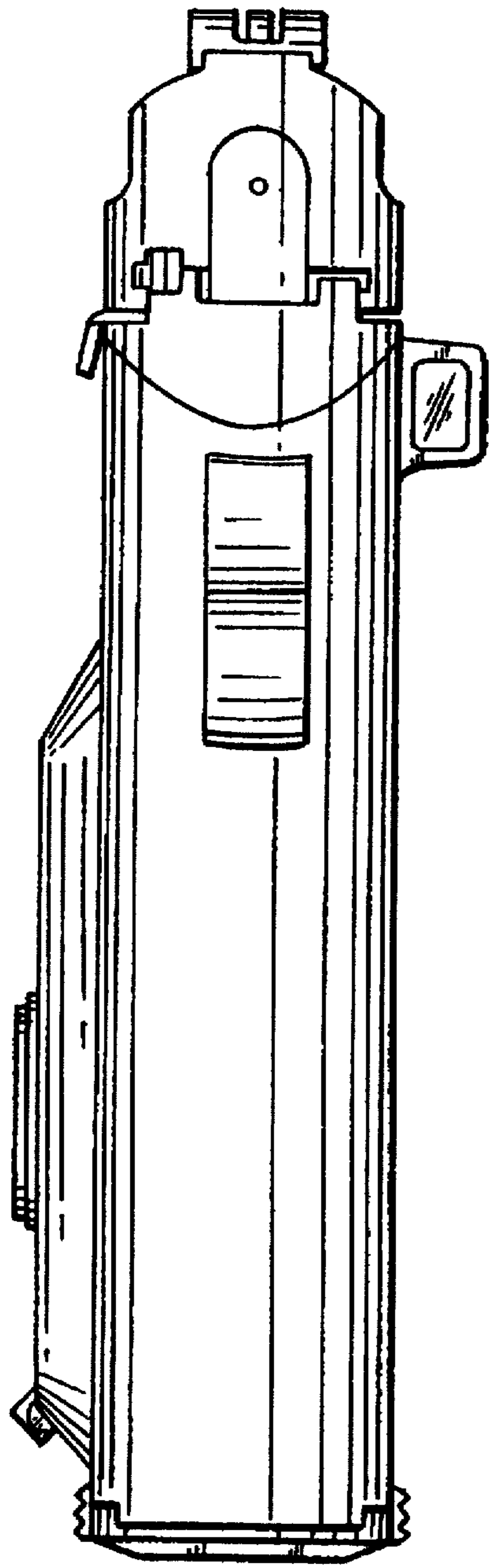


FIG. 4

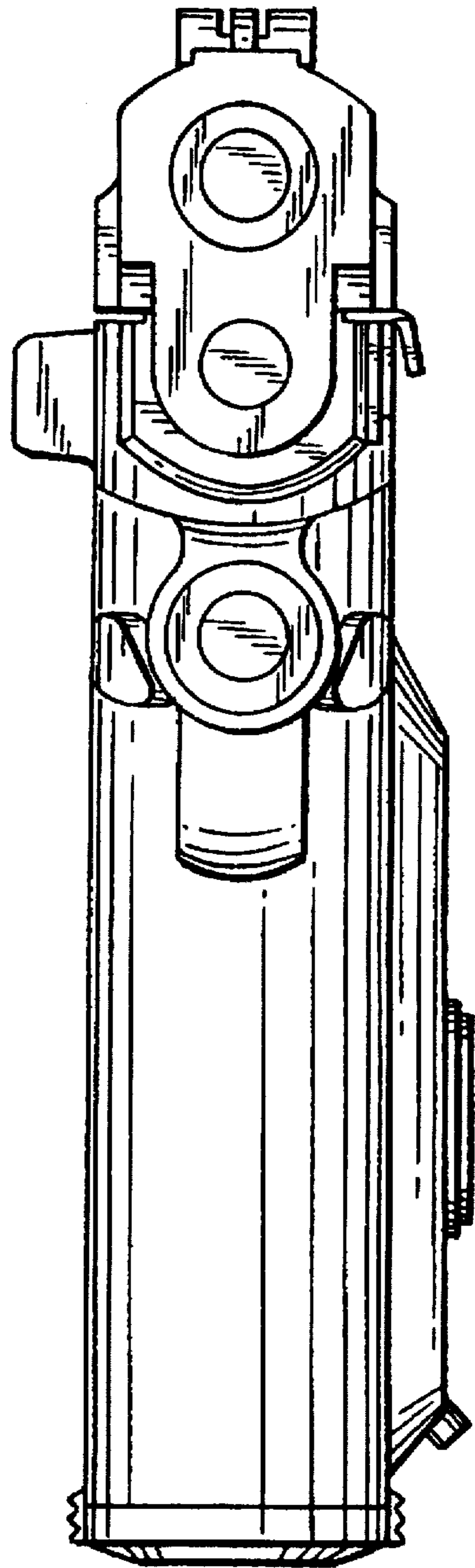


FIG. 5

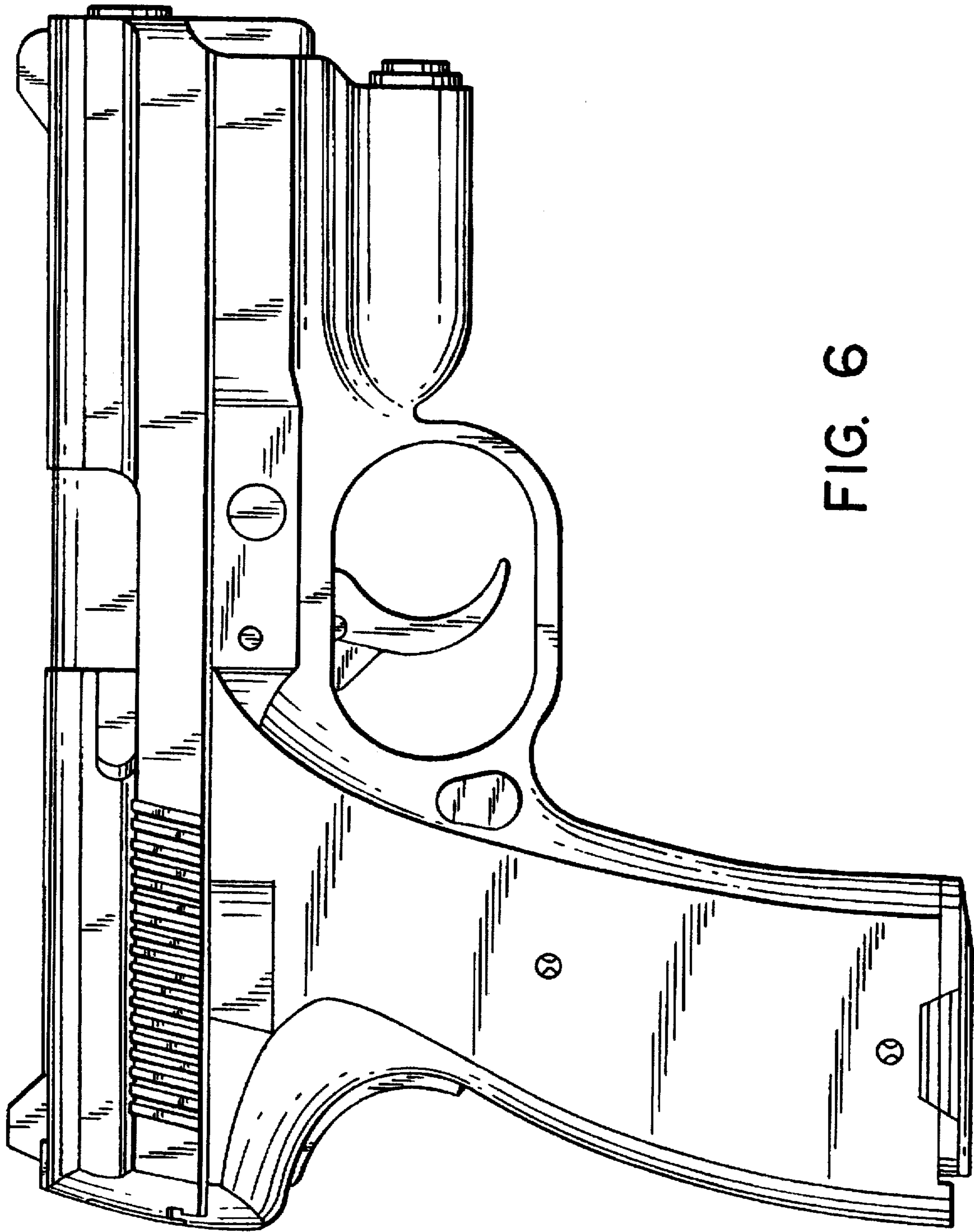


FIG. 6