

US00D387841S

United States Patent [19]
Hochstrate et al.

[11] **Patent Number: Des. 387,841**
[45] **Date of Patent: **Dec. 16, 1997**

[54] **PISTOL**
[75] **Inventors: Paul M. Hochstrate, Plantsville, Conn.;
Michael F. LaPlante, Chicopee, Mass.**
[73] **Assignee: Colt's Manufacturing Company, Inc.,
West Hartford, Conn.**
[**] **Term: 14 Years**

[21] **Appl. No.: 61,853**
[22] **Filed: Nov. 1, 1996**

[51] **LOC (6) Cl. 22-01**
[52] **U.S. Cl. D22/104; D22/100**
[58] **Field of Search D22/100, 101,
D22/103, 104, 105, 107, 108, 109, 110,
116, 199; D21/145, 146, 147; 33/233, 252;
42/18, 49.01, 51, 54, 57, 70.08, 100, 103;
89/44.01, 136, 148, 177, 198**

[56] **References Cited**
U.S. PATENT DOCUMENTS

D. 230,400 2/1974 Theodore D22/104
1,896,820 2/1933 Jolidon 89/148

2,115,041 4/1938 Obregon D22/104 X
3,159,080 12/1964 Freed D22/108 X

OTHER PUBLICATIONS

National FOP Journal/Winter 1991, p. 9, 42, "Sig Sauer
Pistol", bottom of page, 1991.
1. 1995 Colt Firearms Catalog, pp. 22-25, Colt's Manufac-
turing Company, Inc.

Primary Examiner—Louis S. Zarfes
Assistant Examiner—Monica A. Weingart
Attorney, Agent, or Firm—Perman & Green, LLP

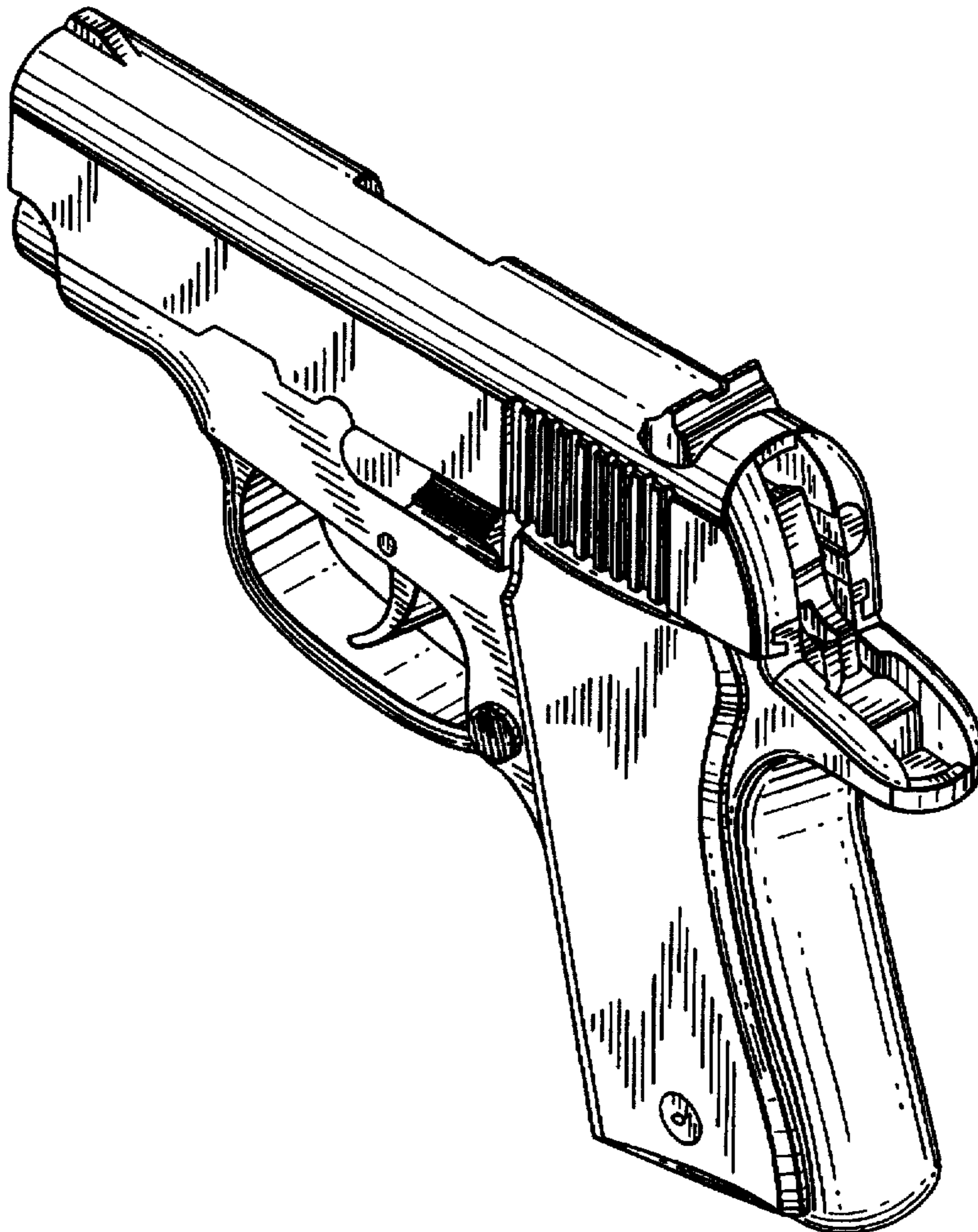
[57] **CLAIM**

The ornamental design for a pistol, is shown and described.

DESCRIPTION

FIG. 1 is a perspective left side, rear, and top view of a pistol
showing our new design;
FIG. 2 is a left side elevation view thereof;
FIG. 3 is a top plan view thereof;
FIG. 4 is a front elevation view thereof;
FIG. 5 is a rear elevation view thereof;
FIG. 6 is a right side elevation view thereof; and,
FIG. 7 is a bottom plan view thereof.

1 Claim, 5 Drawing Sheets



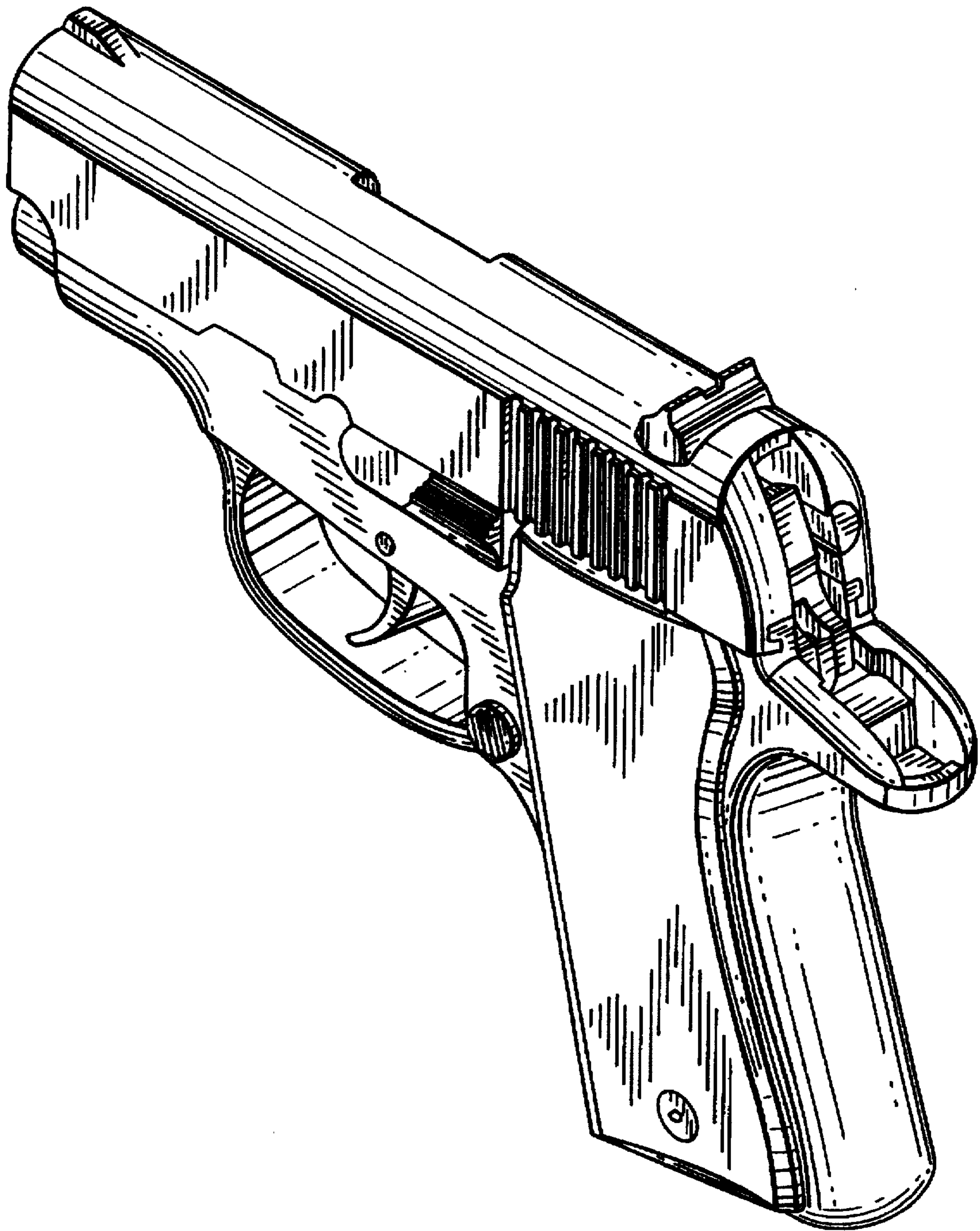


FIG. 1

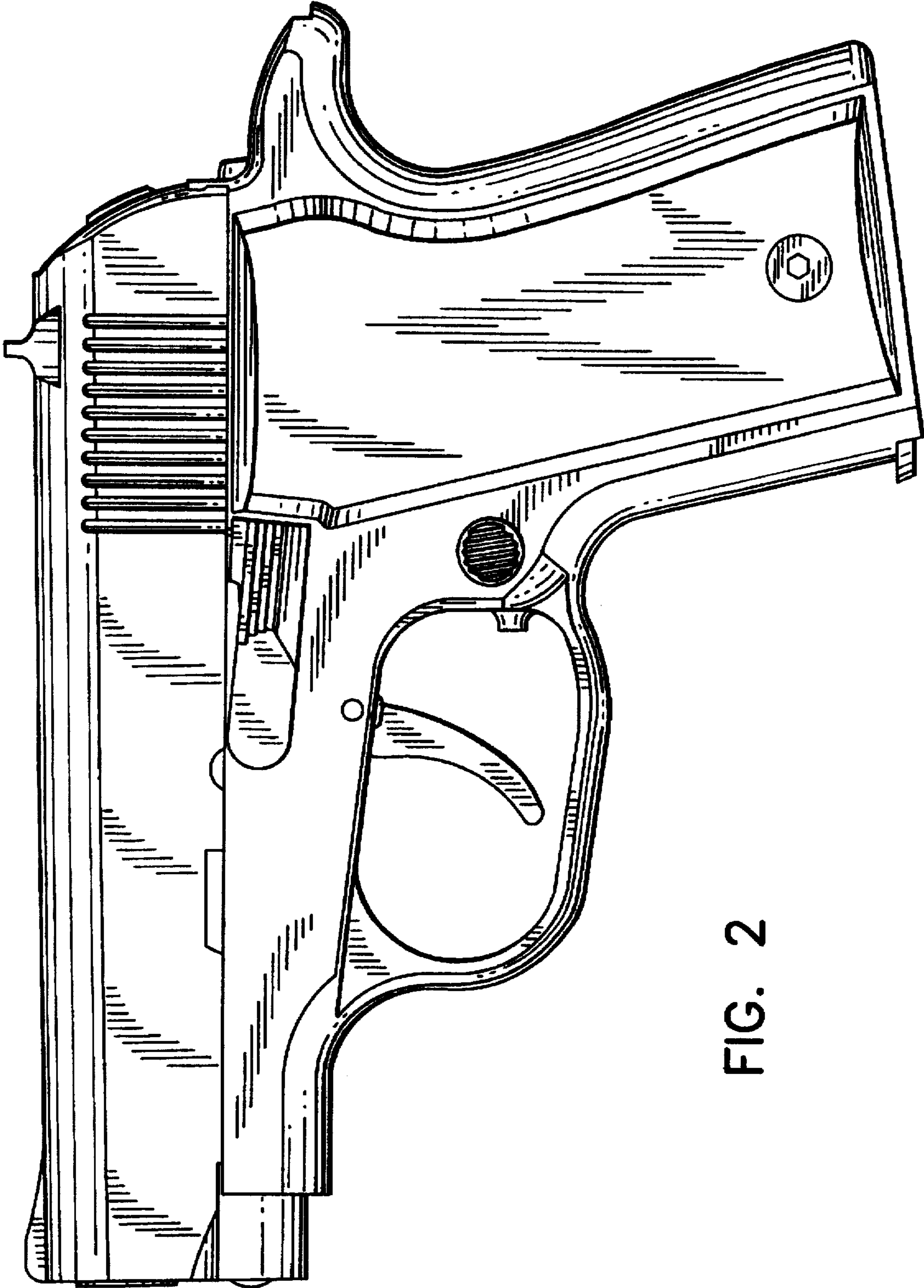


FIG. 2

FIG. 3

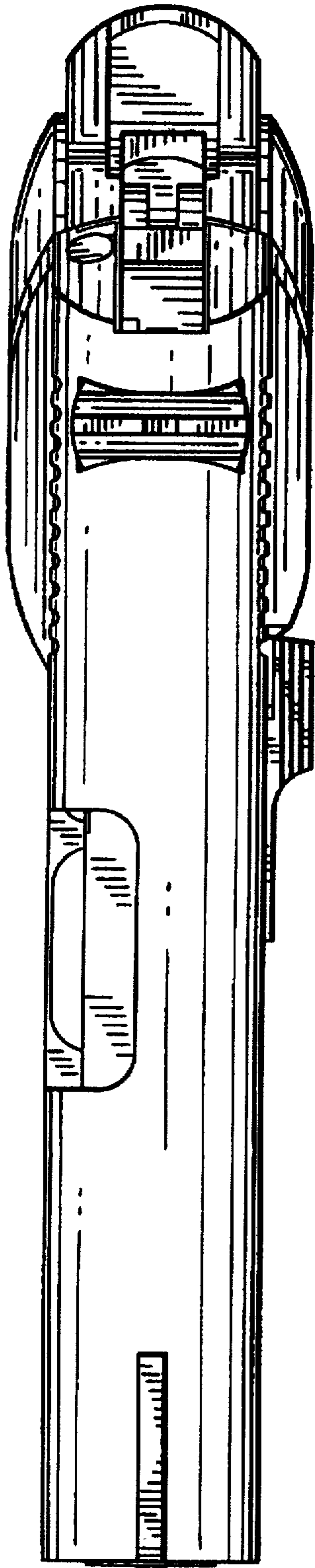
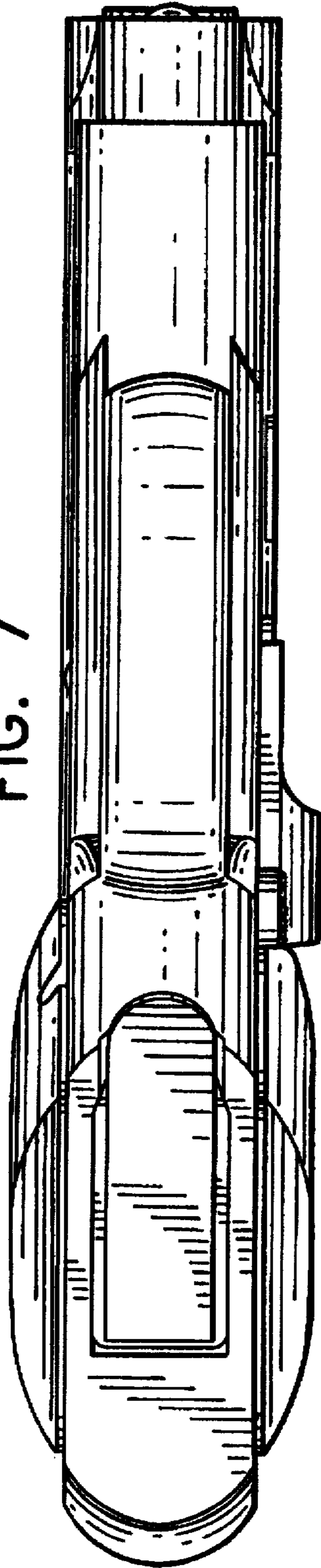


FIG. 7



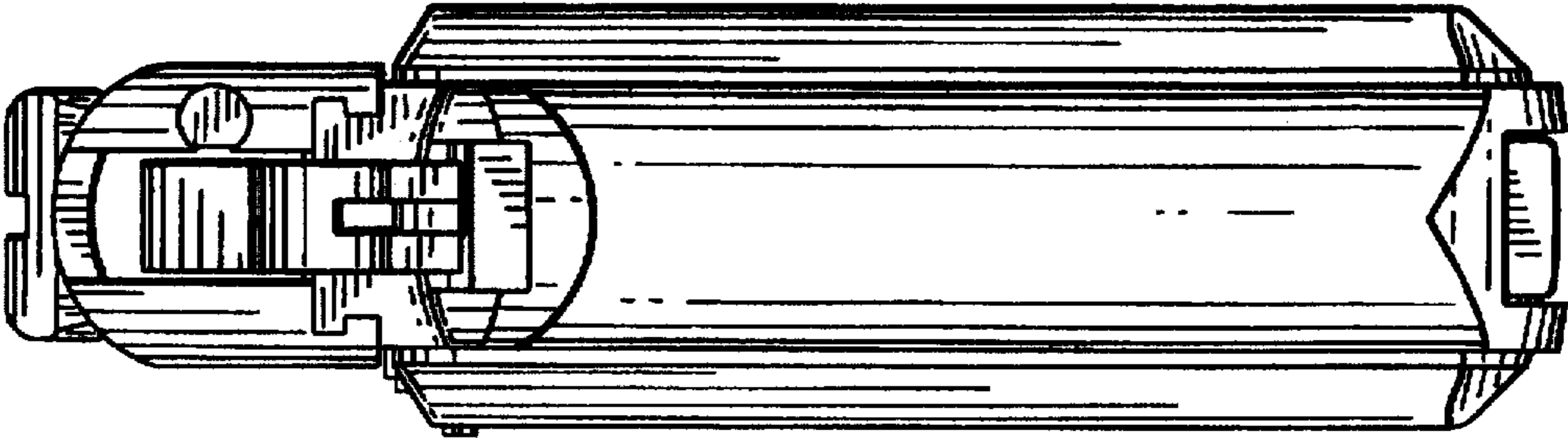


FIG. 5

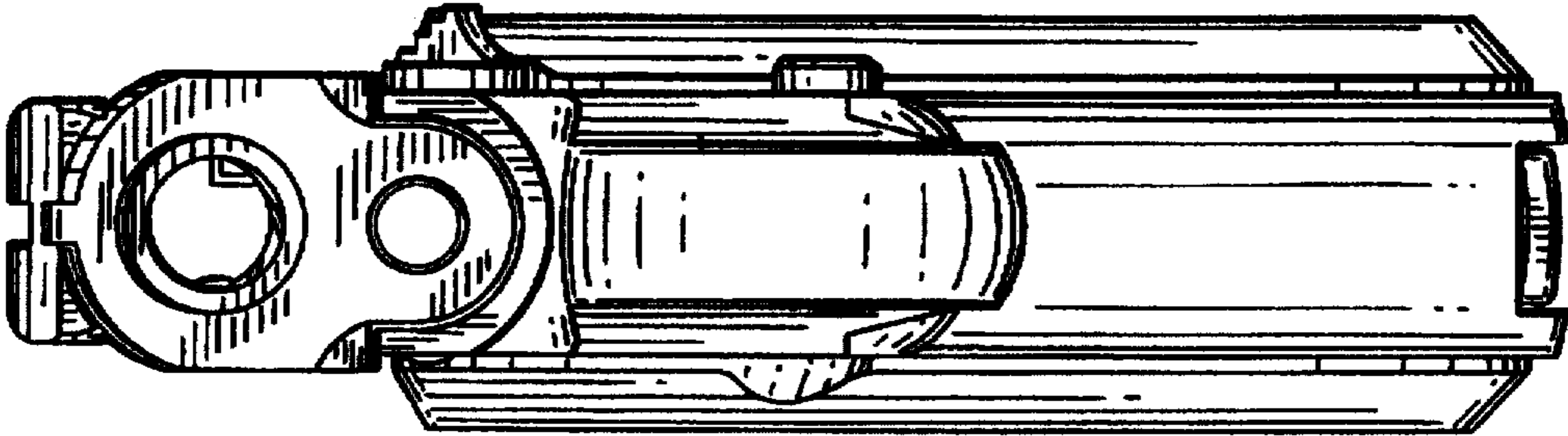


FIG. 4

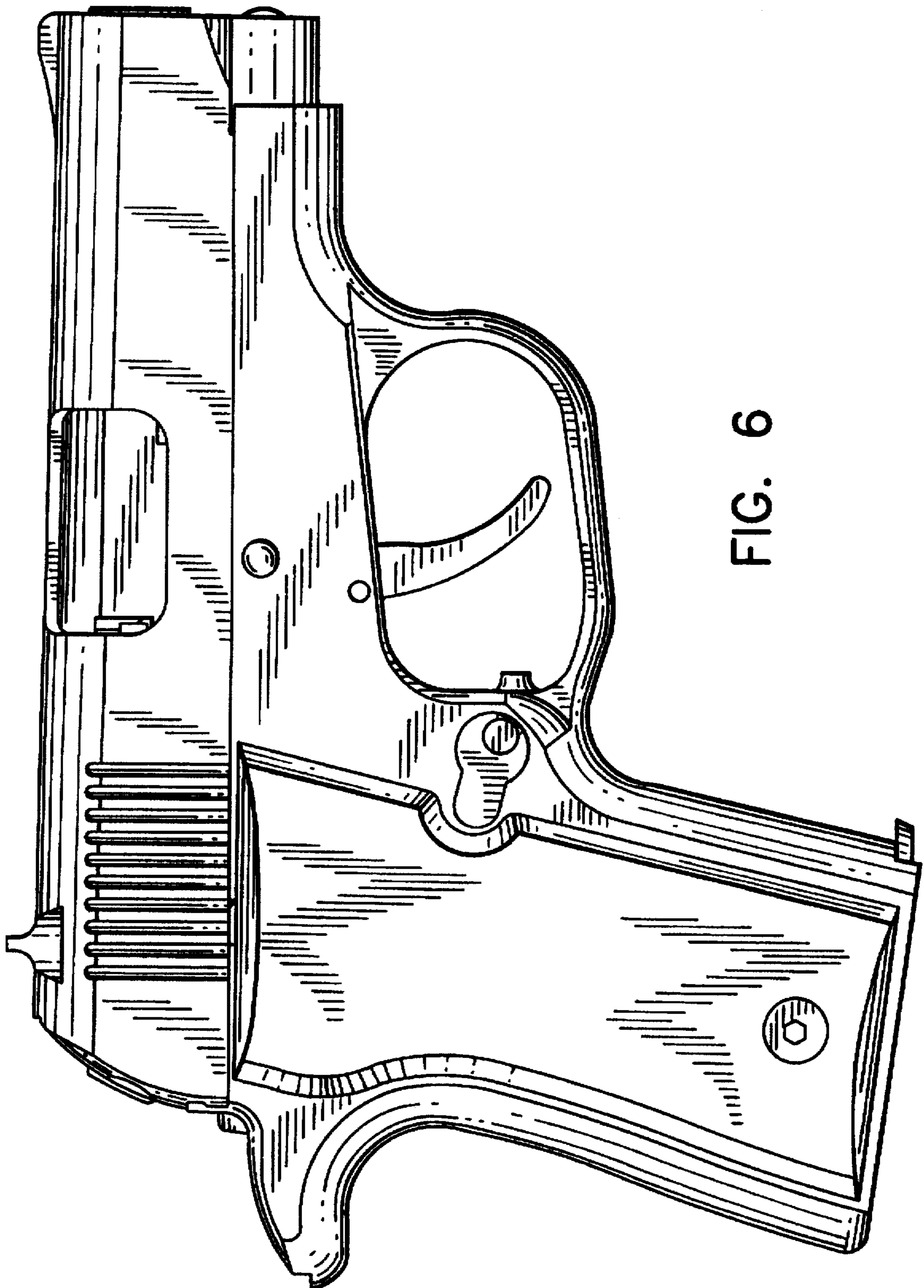


FIG. 6