



US00D387840S

# United States Patent [19] Duggan

[11] Patent Number: **Des. 387,840**

[45] Date of Patent: **\*\*Dec. 16, 1997**

[54] **COMPACT DISC RACK**

[75] Inventor: **J. Edmund Duggan, Atlanta, Ga.**

[73] Assignee: **Edoak Designs, Atlanta, Ga.**

[\*\*] Term: **14 Years**

[21] Appl. No.: **59,218**

[22] Filed: **Sep. 5, 1996**

[51] LOC (6) Cl. .... **06-04**

[52] U.S. Cl. .... **D6/407; D6/462**

[58] Field of Search ..... D6/407, 627-630,  
D6/462-465, 466-468, 473, 408; D32/55,  
58; 211/40-42, 181; D7/704; D21/108;  
206/307, 307.1, 308.1, 309, 387.1, 387.15

[56] **References Cited**

**U.S. PATENT DOCUMENTS**

- D. 237,669 11/1975 Neglia ..... D6/468
- D. 253,444 11/1979 Mathus et al. .... D6/407
- D. 267,768 2/1983 Duggan ..... D32/58 X
- D. 287,912 1/1987 Ferrero ..... D6/468 X
- D. 313,899 1/1991 Barker et al. .... D6/408

- D. 318,580 7/1991 Sjostrom ..... D6/407
- D. 321,963 11/1991 Welder ..... D32/58
- D. 328,986 9/1992 Lightfoot ..... D6/462 X
- D. 333,390 2/1993 McCauley ..... D6/429
- D. 343,533 1/1994 David ..... D6/407
- D. 356,454 3/1995 Harris ..... D6/407

*Primary Examiner*—Jeffrey Asch

[57] **CLAIM**

The ornamental design for a compact disc rack, as shown and described.

**DESCRIPTION**

FIG. 1 is a front, right perspective view of a compact disc showing my new design;

FIG. 2 is a front, right perspective view;

FIG. 3 is a front elevational view;

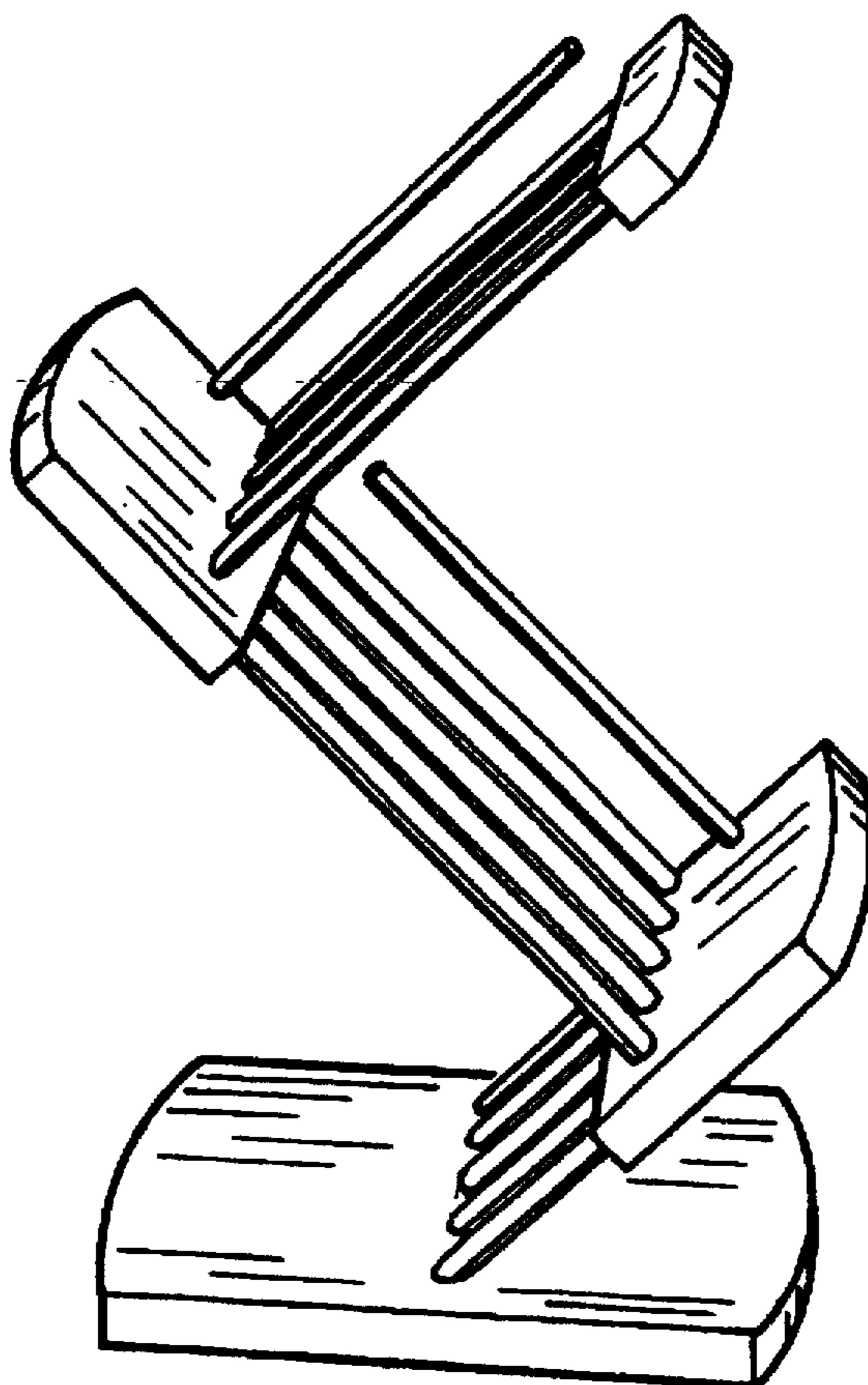
FIG. 4 is a right side elevational view;

FIG. 5 is a rear elevational view; and,

FIG. 6 is a left side elevational view.

The broken line showings of jewel boxes in FIG. 2 are for illustrative purposes only and form no part of the claimed design.

**1 Claim, 3 Drawing Sheets**



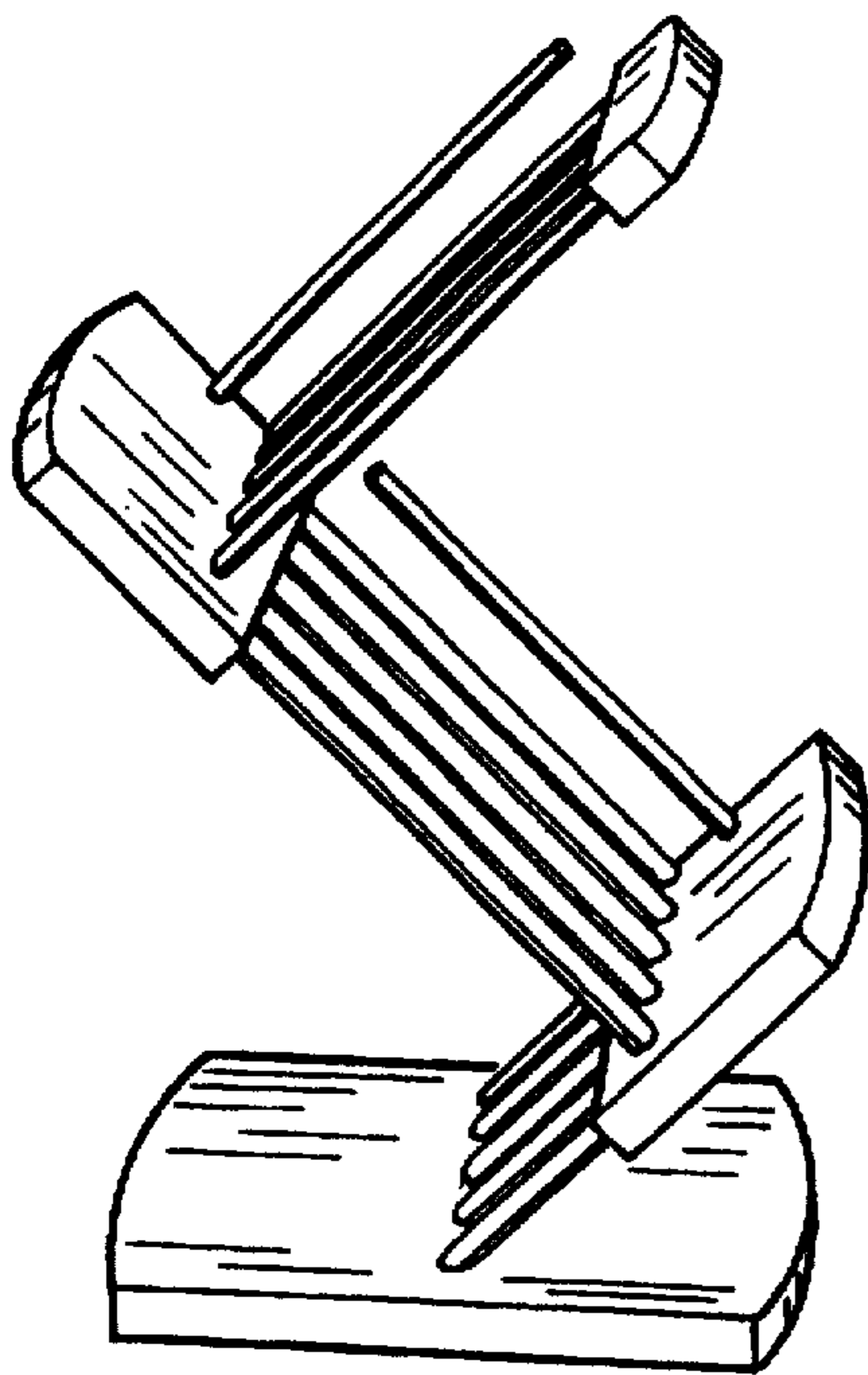


FIG. 1

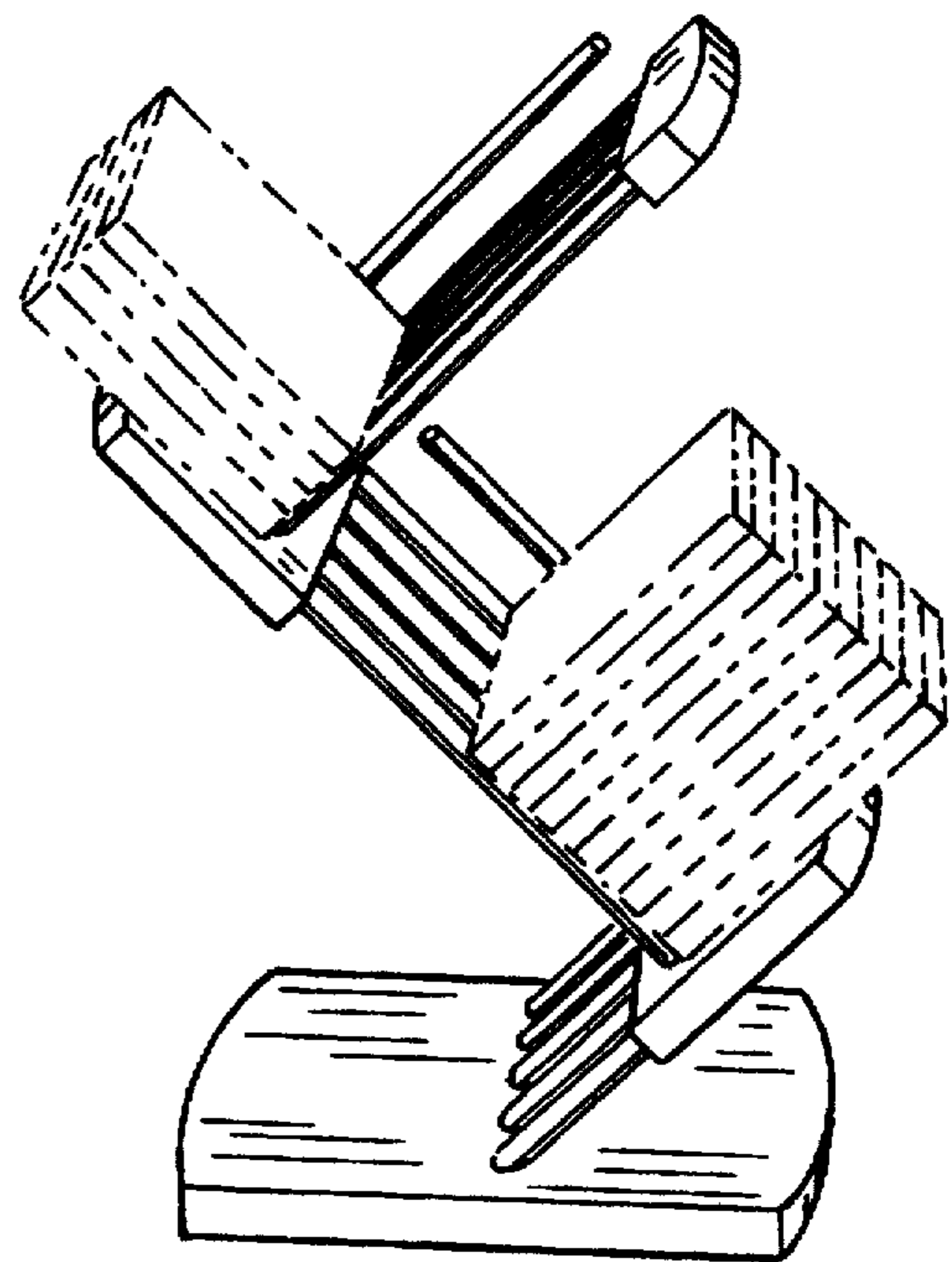


FIG. 2

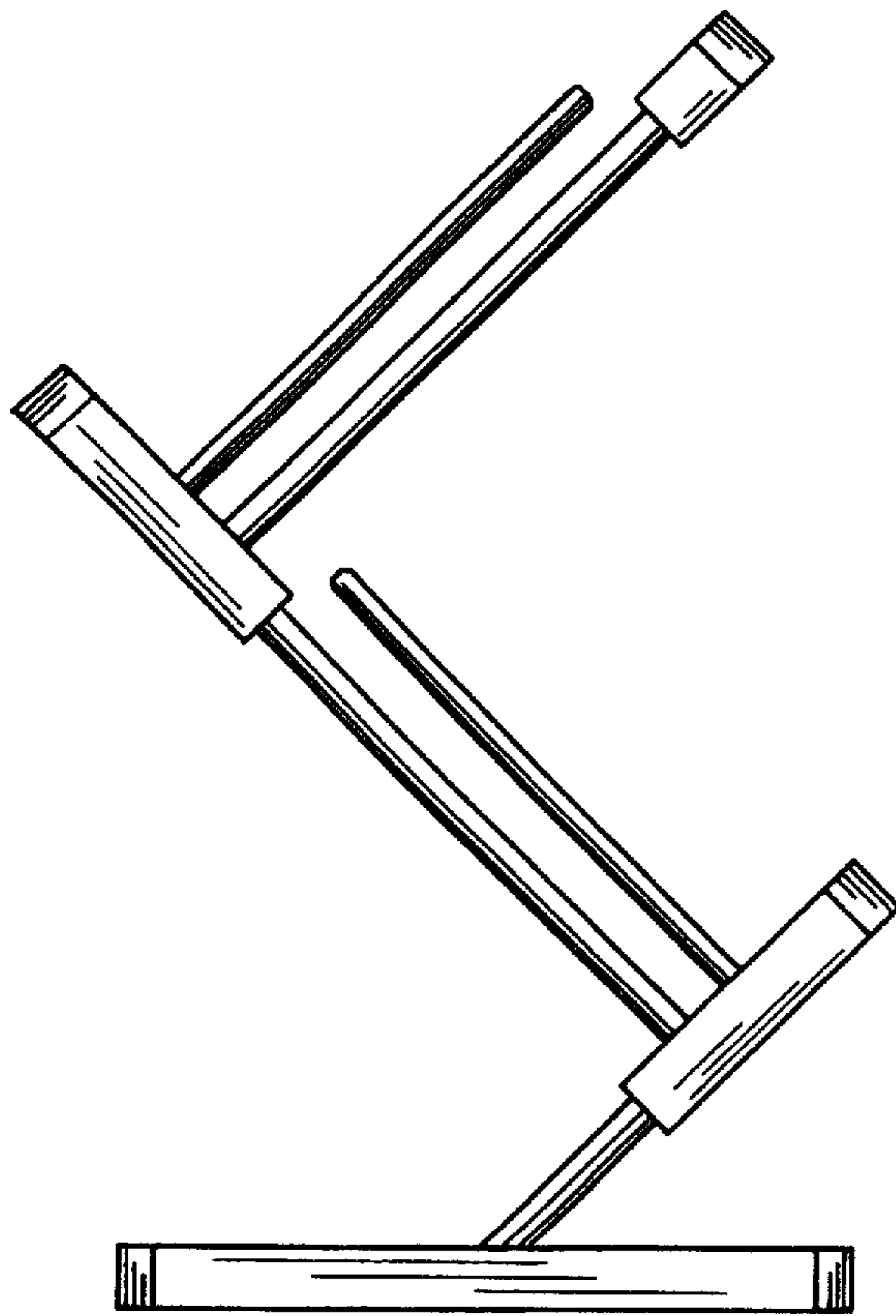


FIG. 3

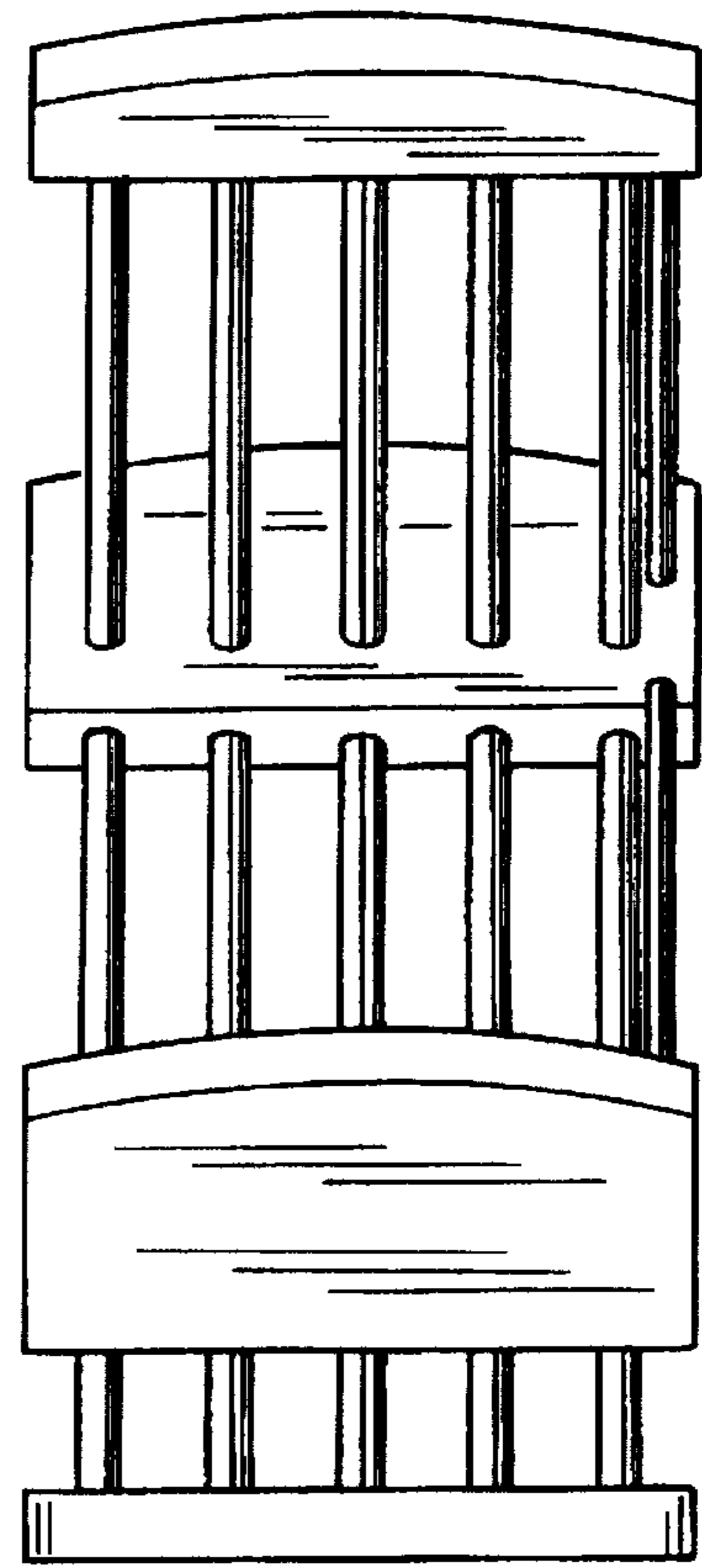


FIG. 4

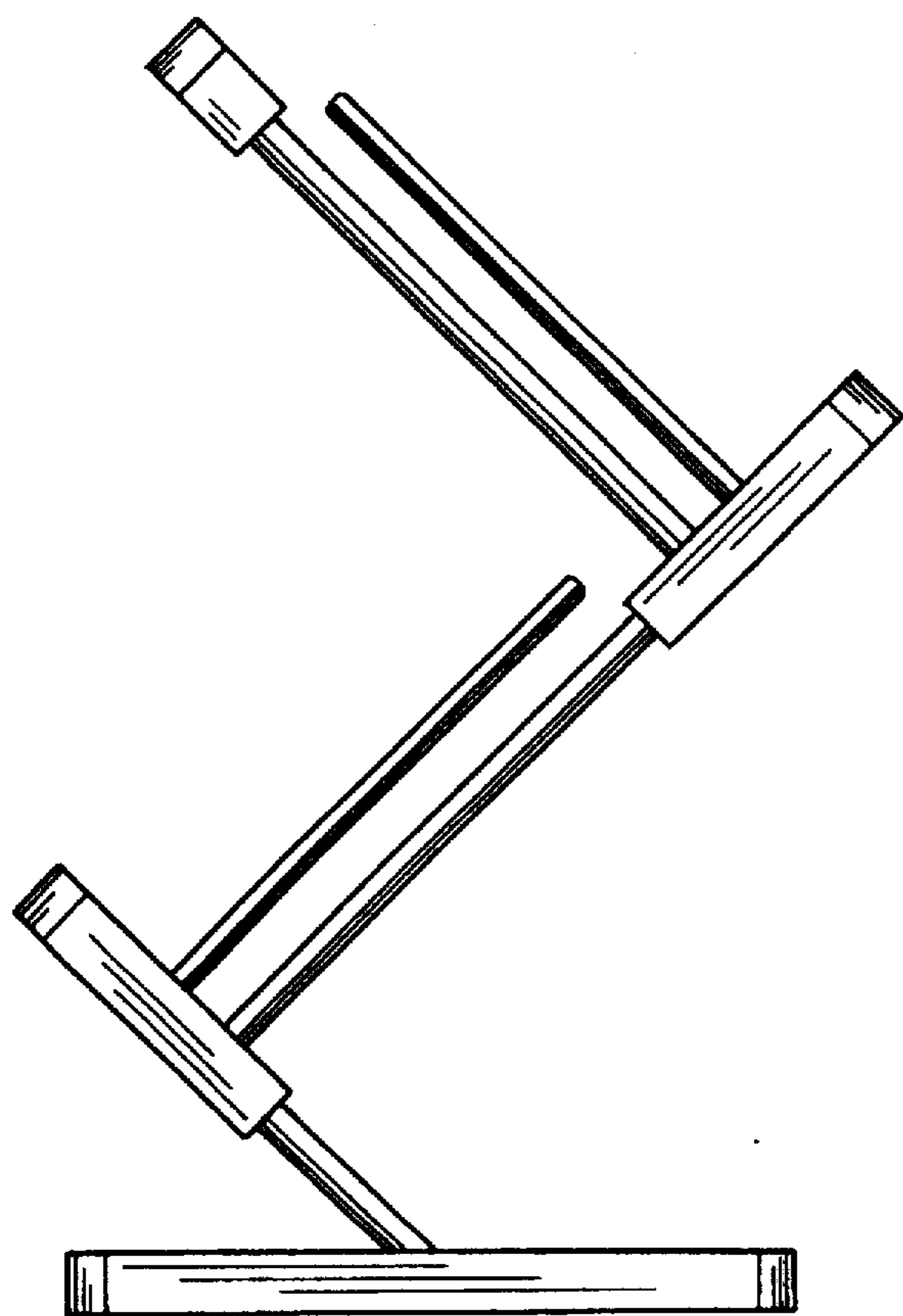


FIG. 5

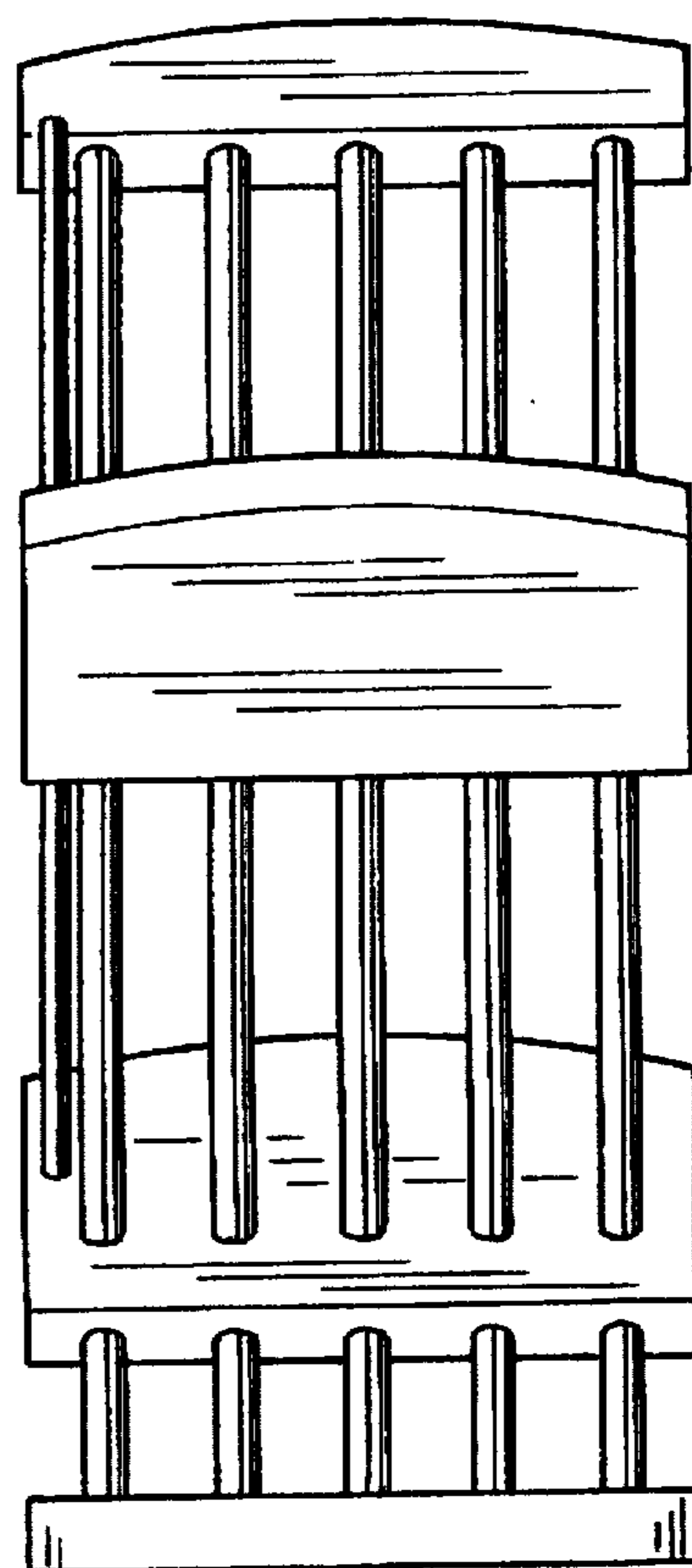


FIG. 6