



US00D387829S

# United States Patent [19] Blaine

[11] Patent Number: **Des. 387,829**

[45] Date of Patent: **\*\*Dec. 16, 1997**

[54] **GOLF PUTTER HEAD**

[76] Inventor: **Jerry Blaine**, 613 Del Prado, Boulder City, Nev. 89005

[\*\*] Term: **14 Years**

[21] Appl. No.: **64,409**

[22] Filed: **Dec. 31, 1996**

[51] LOC (6) Cl. .... **21-02**

[52] U.S. Cl. .... **D21/219**

[58] Field of Search ..... **D21/217-219;**  
**473/251-255, 340, 341, 324**

[56] **References Cited**

**U.S. PATENT DOCUMENTS**

D. 182,485	4/1958	Sprinkel .....	473/255 X
D. 230,750	3/1974	Ehrich .....	D21/217
D. 271,604	11/1983	Stone et al. ....	D21/217
2,503,506	4/1950	Miller .....	D21/219 X
3,880,430	4/1975	McCabe .....	473/255 X
5,470,070	11/1995	Bendo .....	473/341 X

*Primary Examiner*—Ted Shooman  
*Assistant Examiner*—Mitchell I. Siegel  
*Attorney, Agent, or Firm*—James M. Skorich

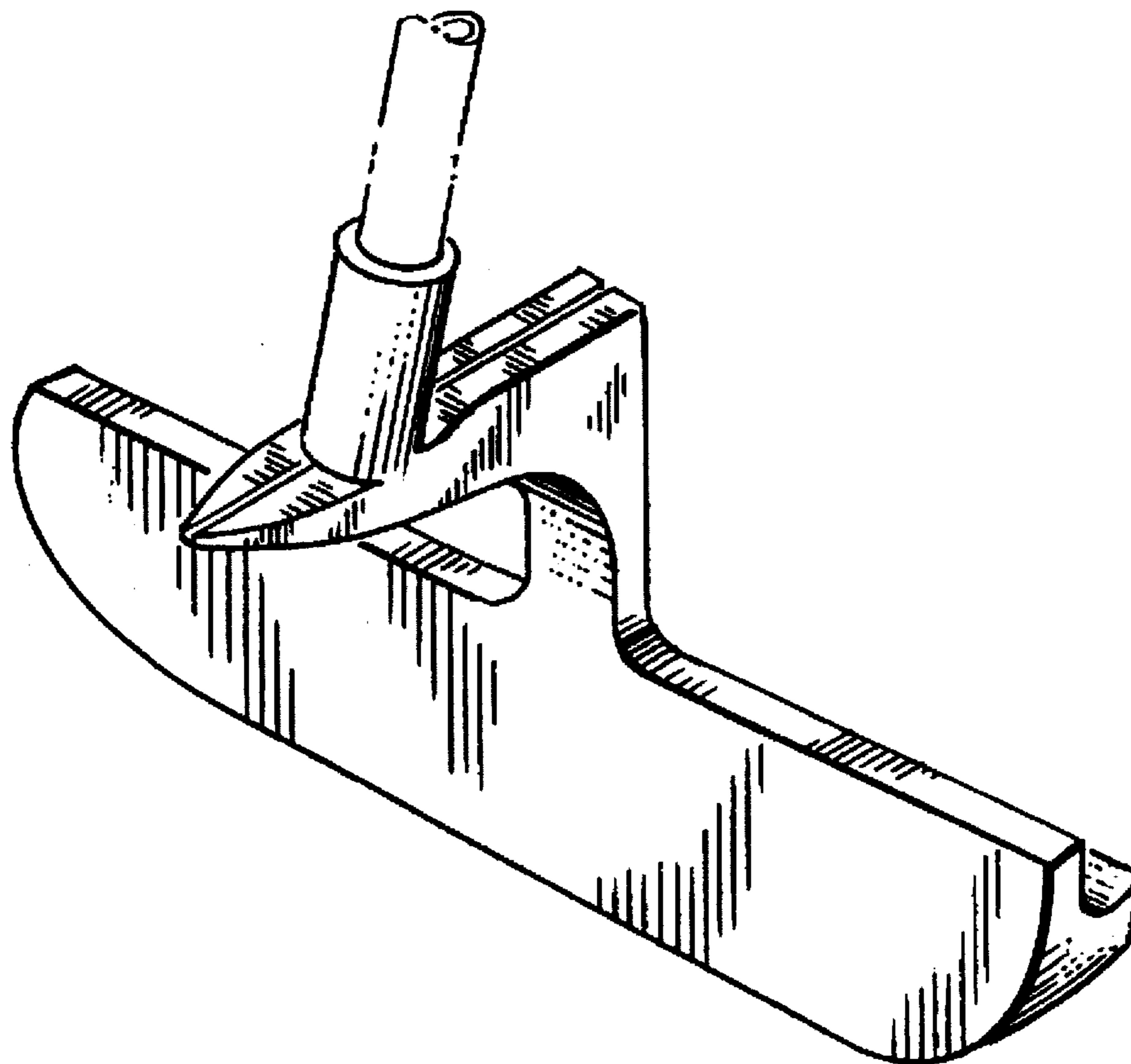
[57] **CLAIM**

The ornamental design for a golf putter head, as shown and described.

**DESCRIPTION**

FIG. 1 is a perspective view showing the front side, right side (toe), and top of the ornamental design;  
FIG. 2 is a top plan view of the same;  
FIG. 3 is a front elevational view of the same;  
FIG. 4 is a bottom view of the same;  
FIG. 5 is a right side (toe) elevational view of the same;  
FIG. 6 is a back elevational view of the same; and,  
FIG. 7 is a left side (heel) elevational view of the same.  
That broken line showing of a fragmented shaft is for illustrative purposes only and forms no part of the claimed design.

**1 Claim, 2 Drawing Sheets**



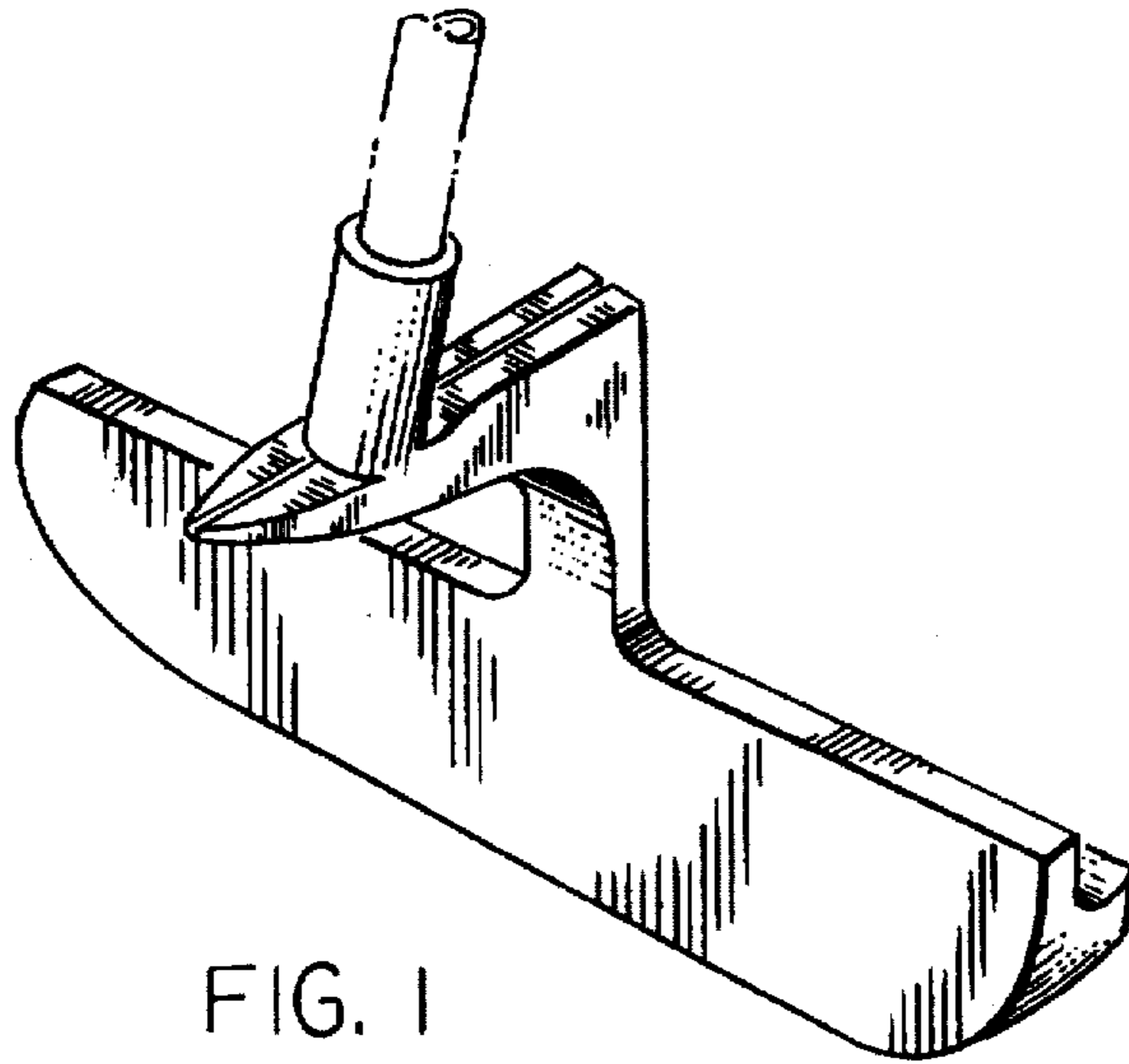


FIG. 1

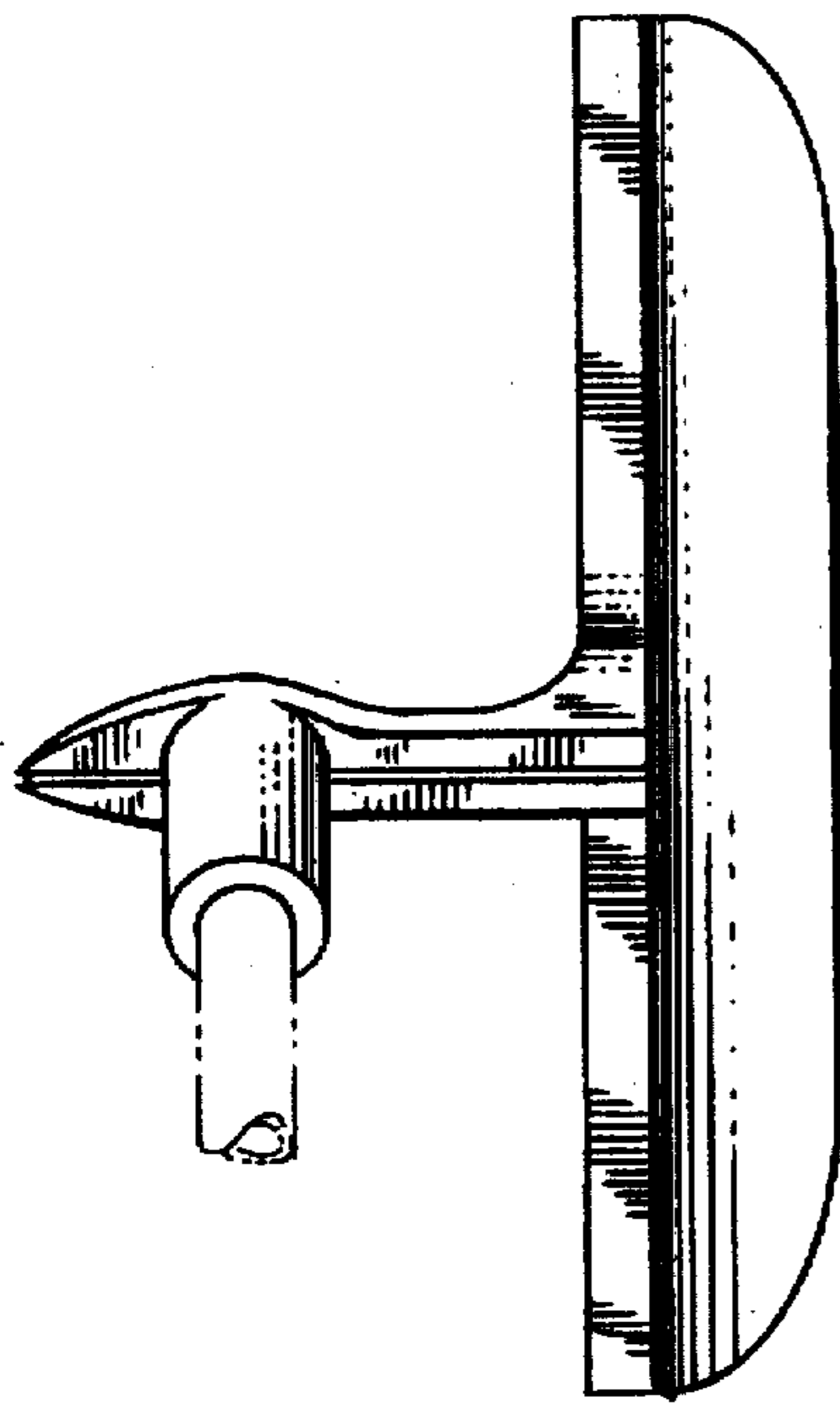


FIG. 2

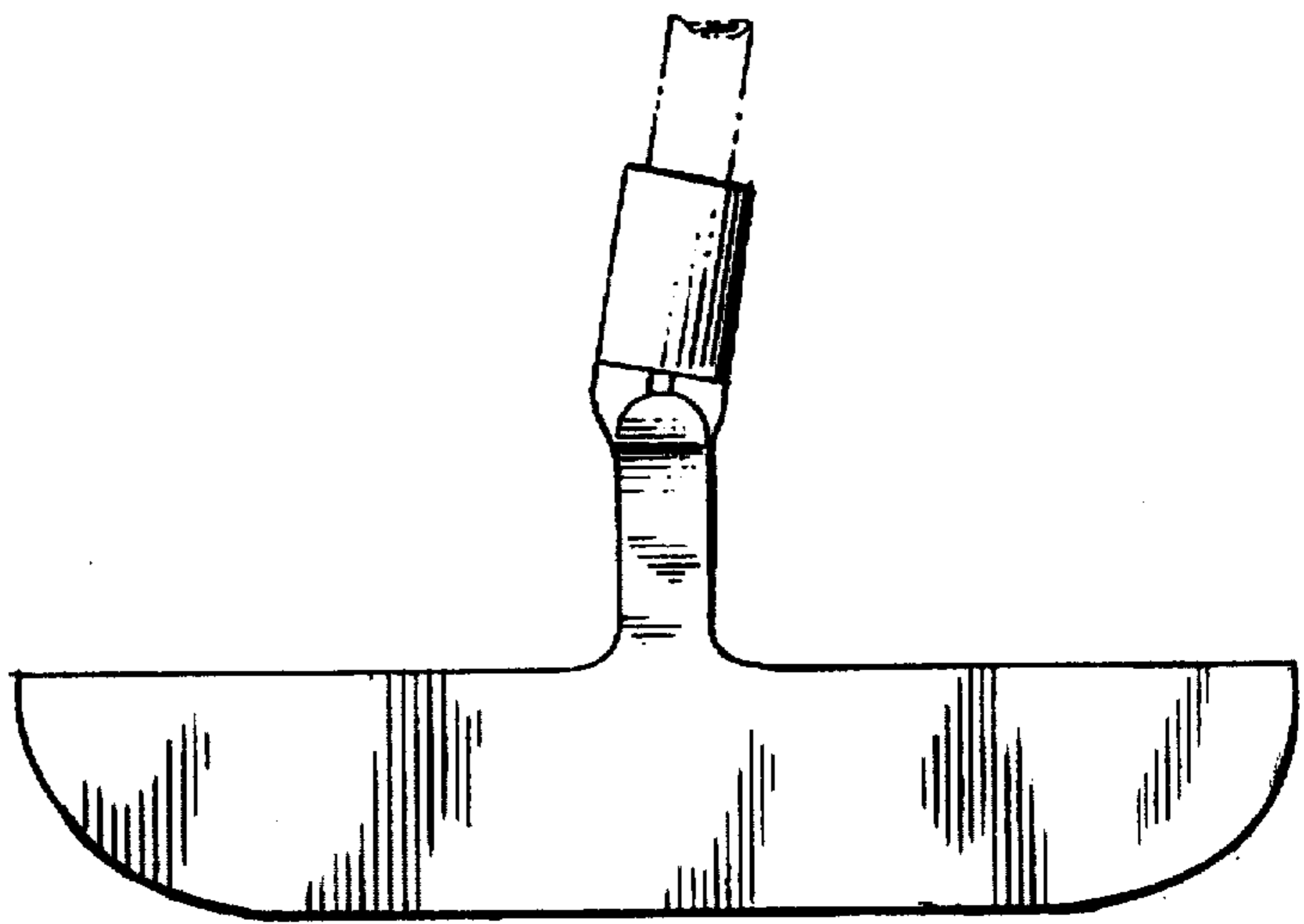


FIG. 3

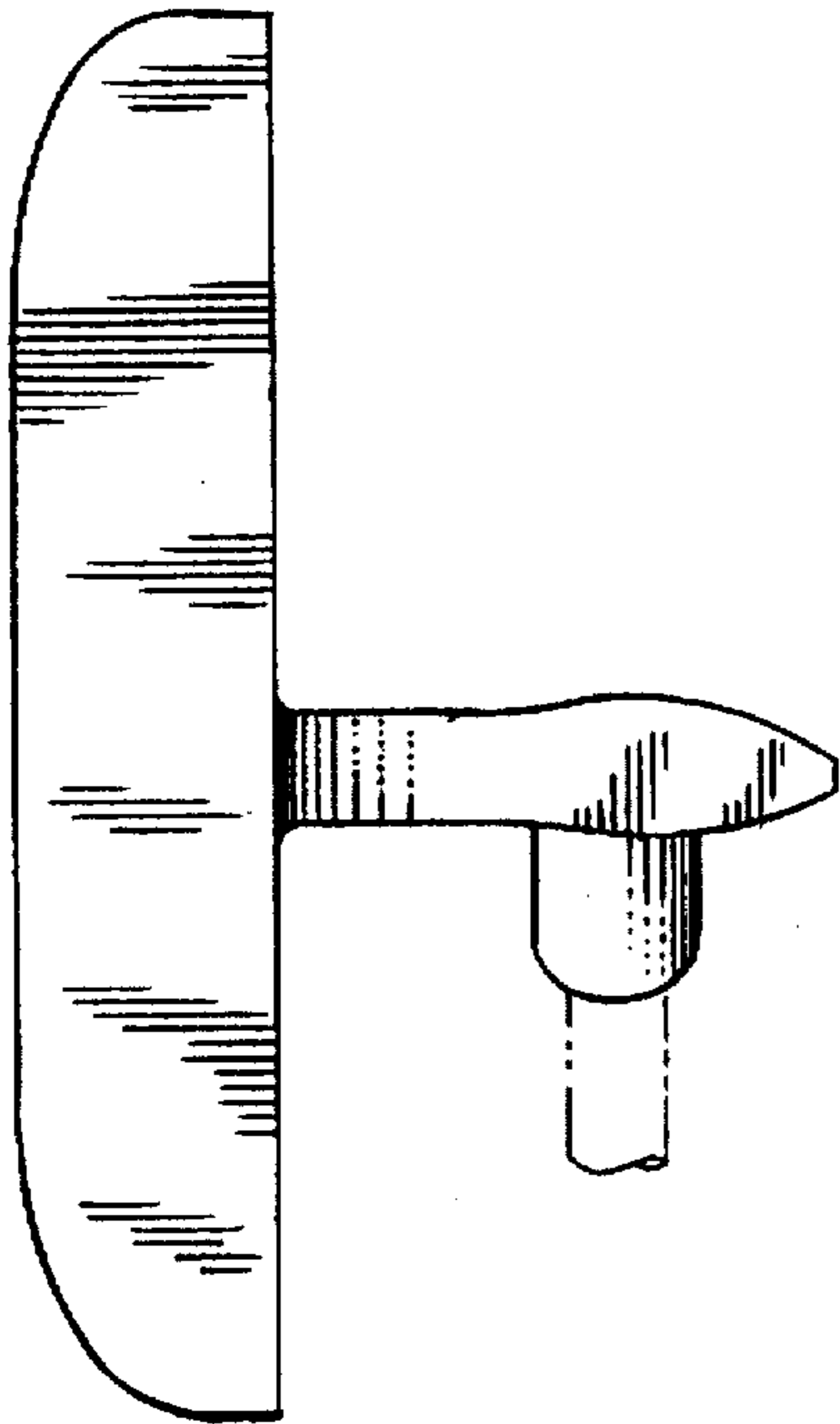


FIG. 4

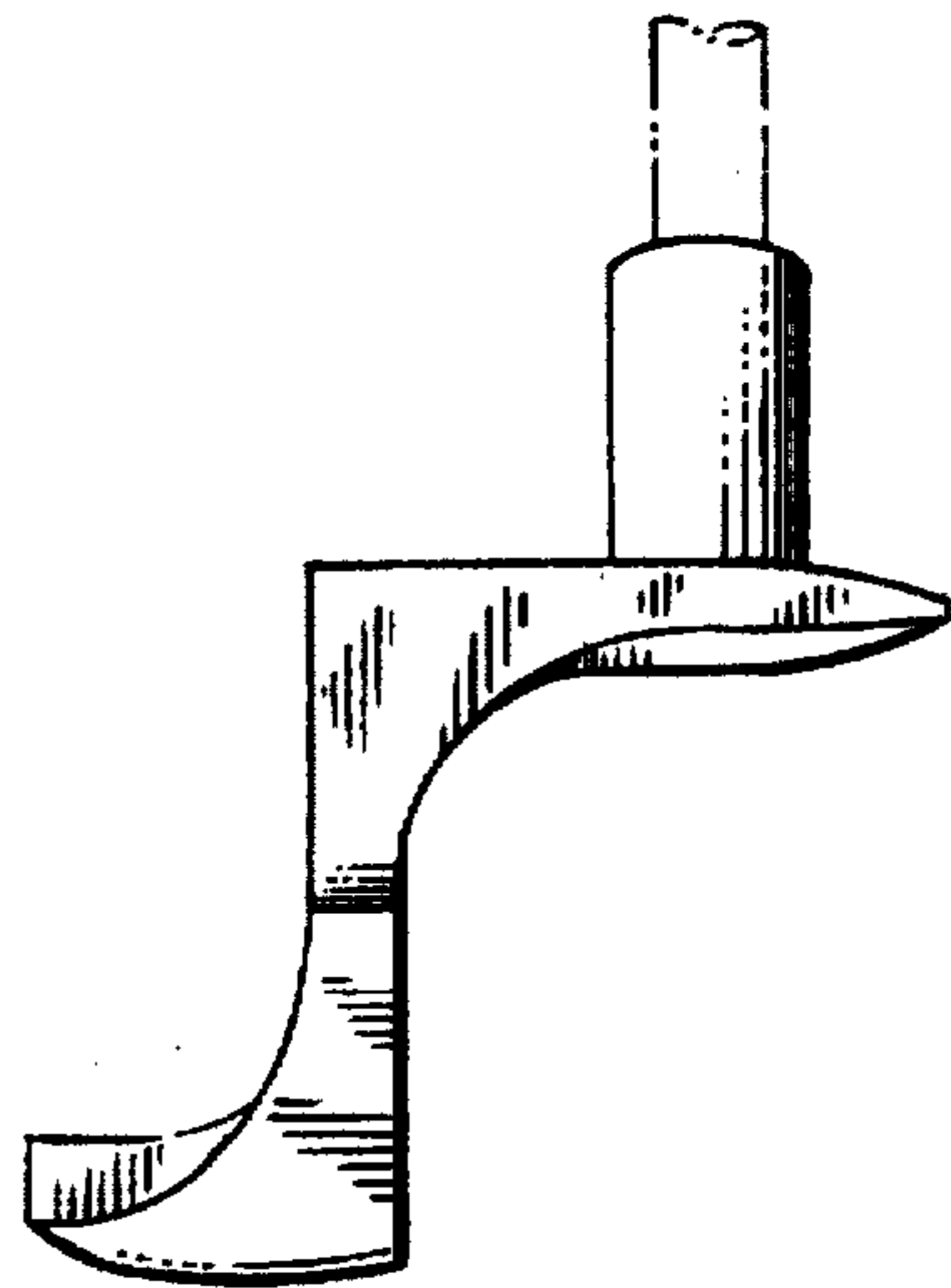


FIG. 5

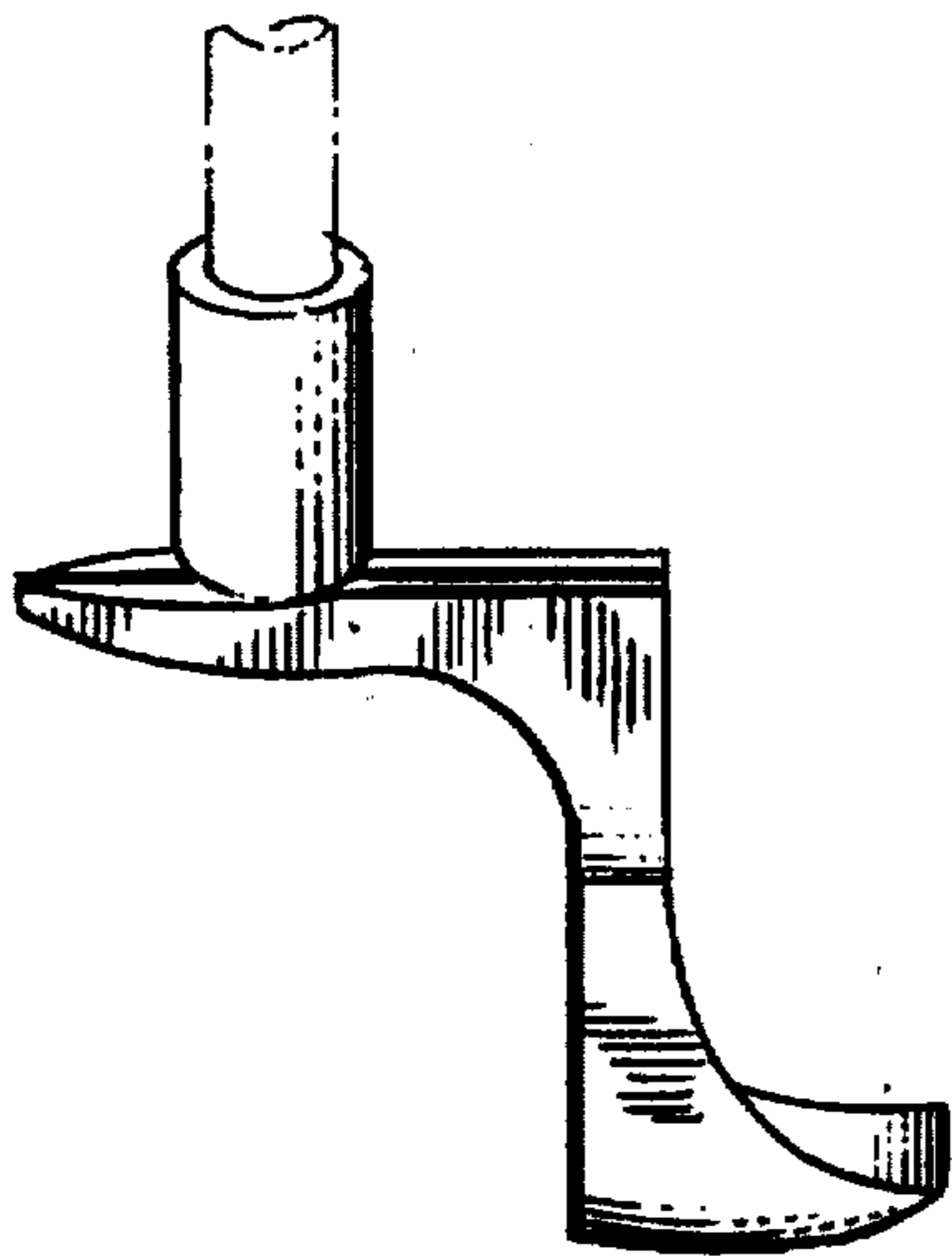


FIG. 7

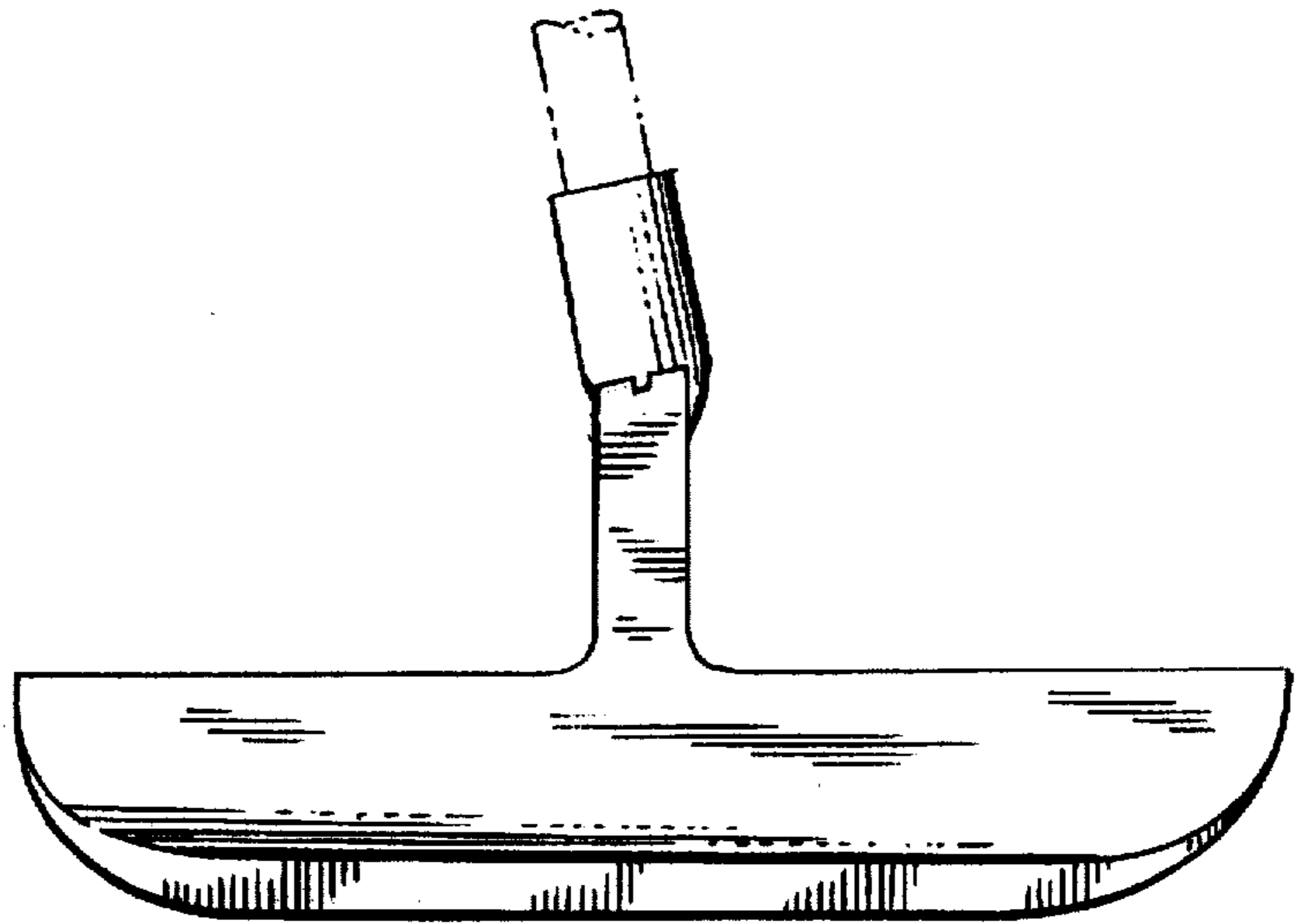


FIG. 6