



US00D387828S

United States Patent [19]

Reina

[11] Patent Number: **Des. 387,828**

[45] Date of Patent: ****Dec. 16, 1997**

[54] **GOLF PUTTER HEAD**

[76] Inventor: **Frank B. Reina**, 41869 Preston Trail,
Palm Desert, Calif. 92211-9523

[**] Term: **14 Years**

[21] Appl. No.: **56,146**

[22] Filed: **Jun. 24, 1996**

[51] LOC (6) Cl. **21-02**

[52] U.S. Cl. **D21/219**

[58] Field of Search D21/217-219;
473/251-256, 340, 341, 324

5,116,054 5/1992 Johnson .
5,176,379 1/1993 Reinberg .
5,255,919 10/1993 Johnson .
5,346,219 9/1994 Pehoski et al. .
5,383,664 1/1995 Epperson .

Primary Examiner—Ted Shooman
Assistant Examiner—Mitchell I. Siegel
Attorney, Agent, or Firm—Banner & Witcoff, Ltd.

[57] CLAIM

An ornamental design for a golf putter head, as shown and described.

DESCRIPTION

FIG. 1 is a perspective view of a golf putter head, showing my new design;
FIG. 2 is a front view thereof;
FIG. 3 is a rear view thereof;
FIG. 4 is a top view thereof;
FIG. 5 is a bottom view thereof;
FIG. 6 is a left side view thereof; and,
FIG. 7 is a right side view thereof.

1 Claim, 1 Drawing Sheet

[56] References Cited

U.S. PATENT DOCUMENTS

D. 233,535 11/1974 Karban D21/218
D. 233,676 11/1974 Robustelli D21/218
786,268 4/1905 Corey et al. .
3,085,804 4/1963 Pieper .
4,165,076 8/1979 Cella .
4,461,482 7/1984 Bojicic .
5,062,639 11/1991 Hitt .

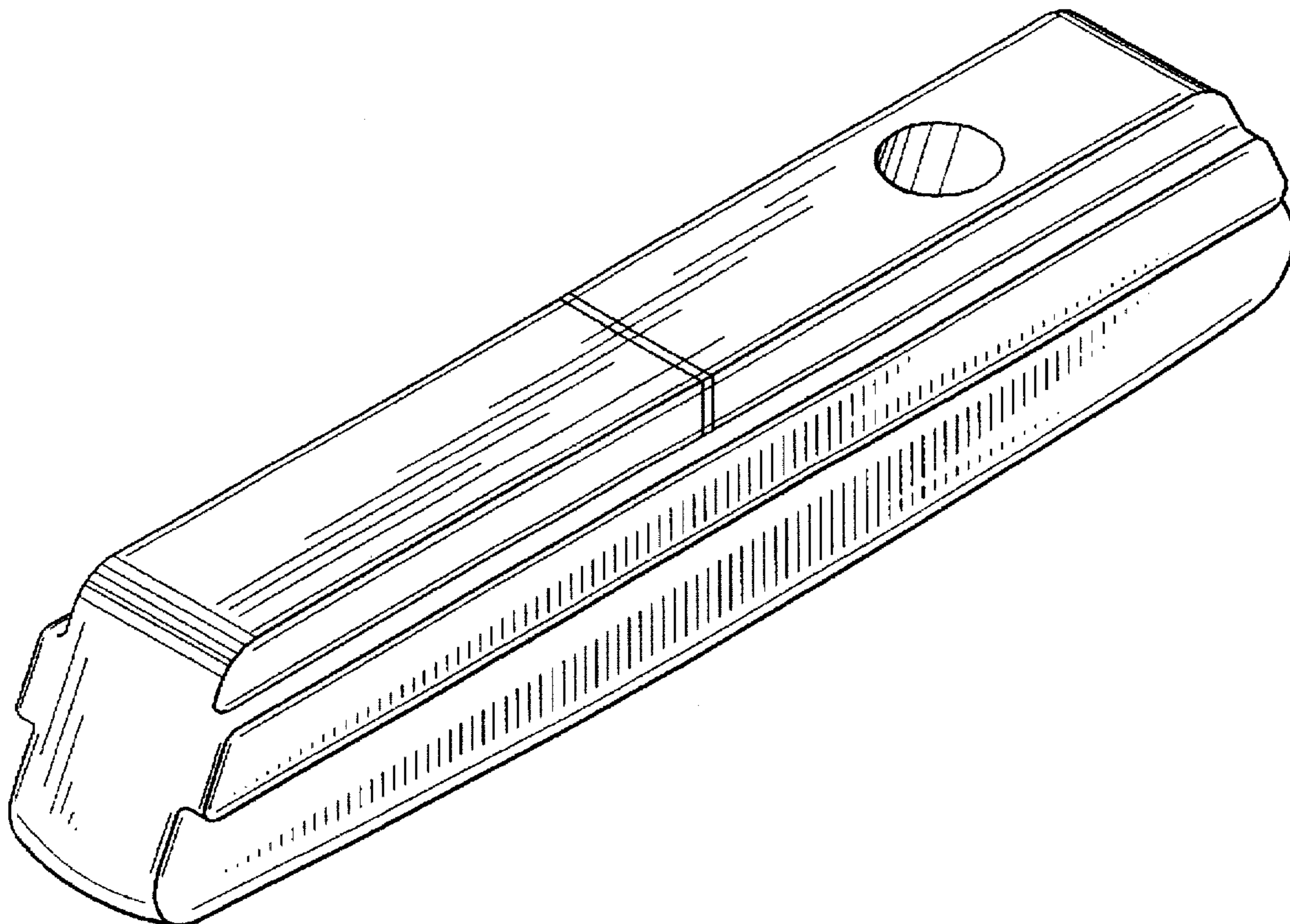


FIG. 4

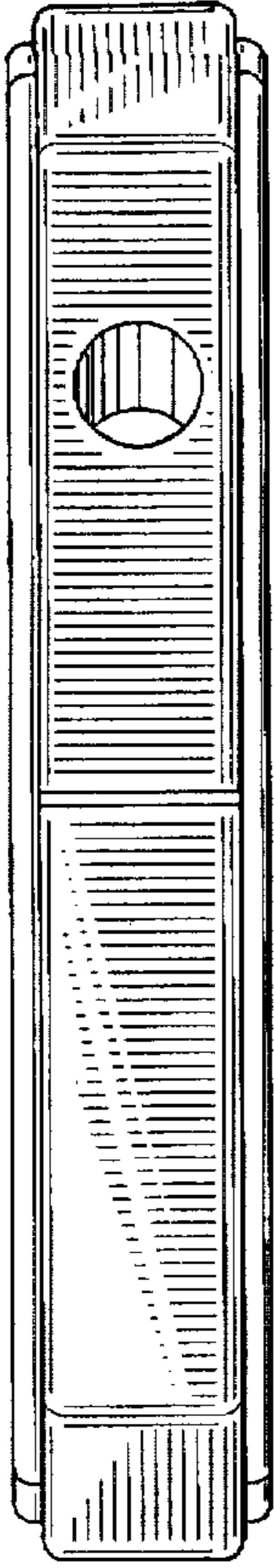


FIG. 5

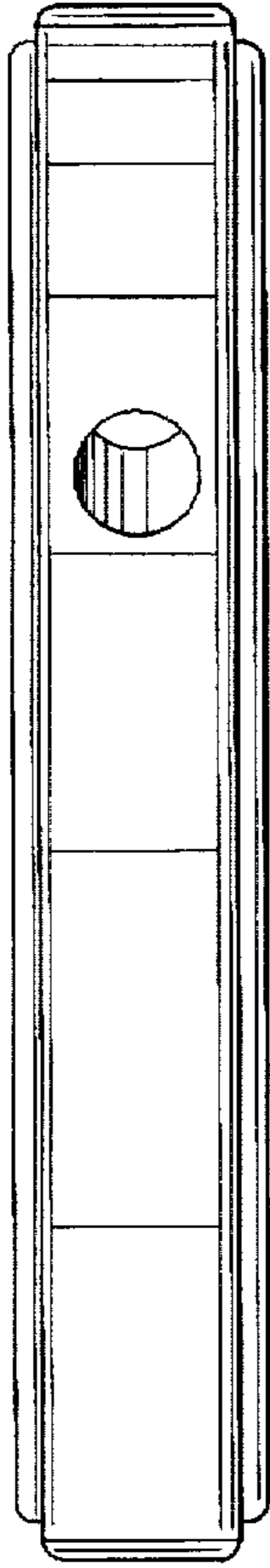


FIG. 7

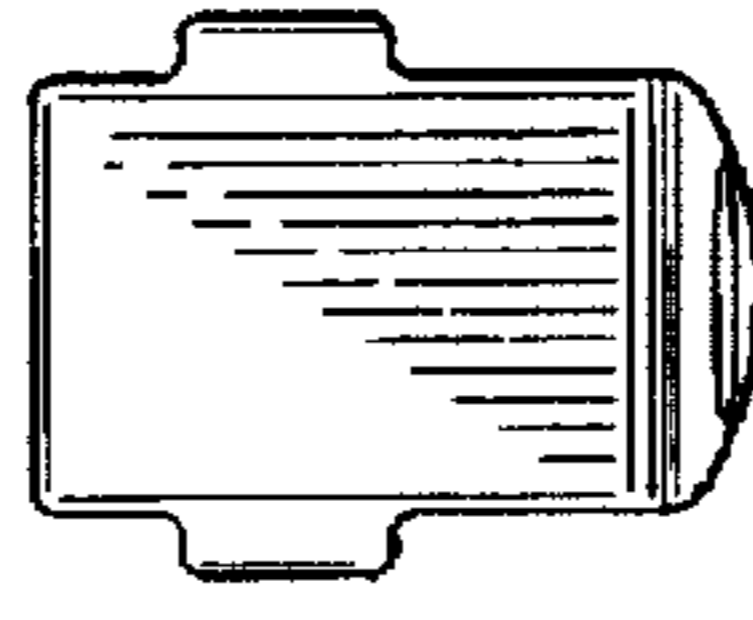


FIG. 3

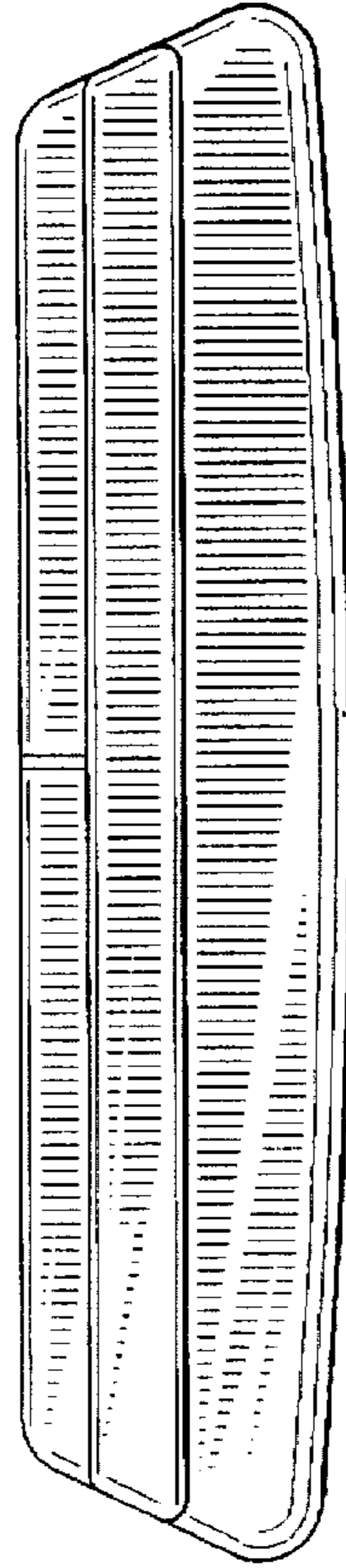


FIG. 1

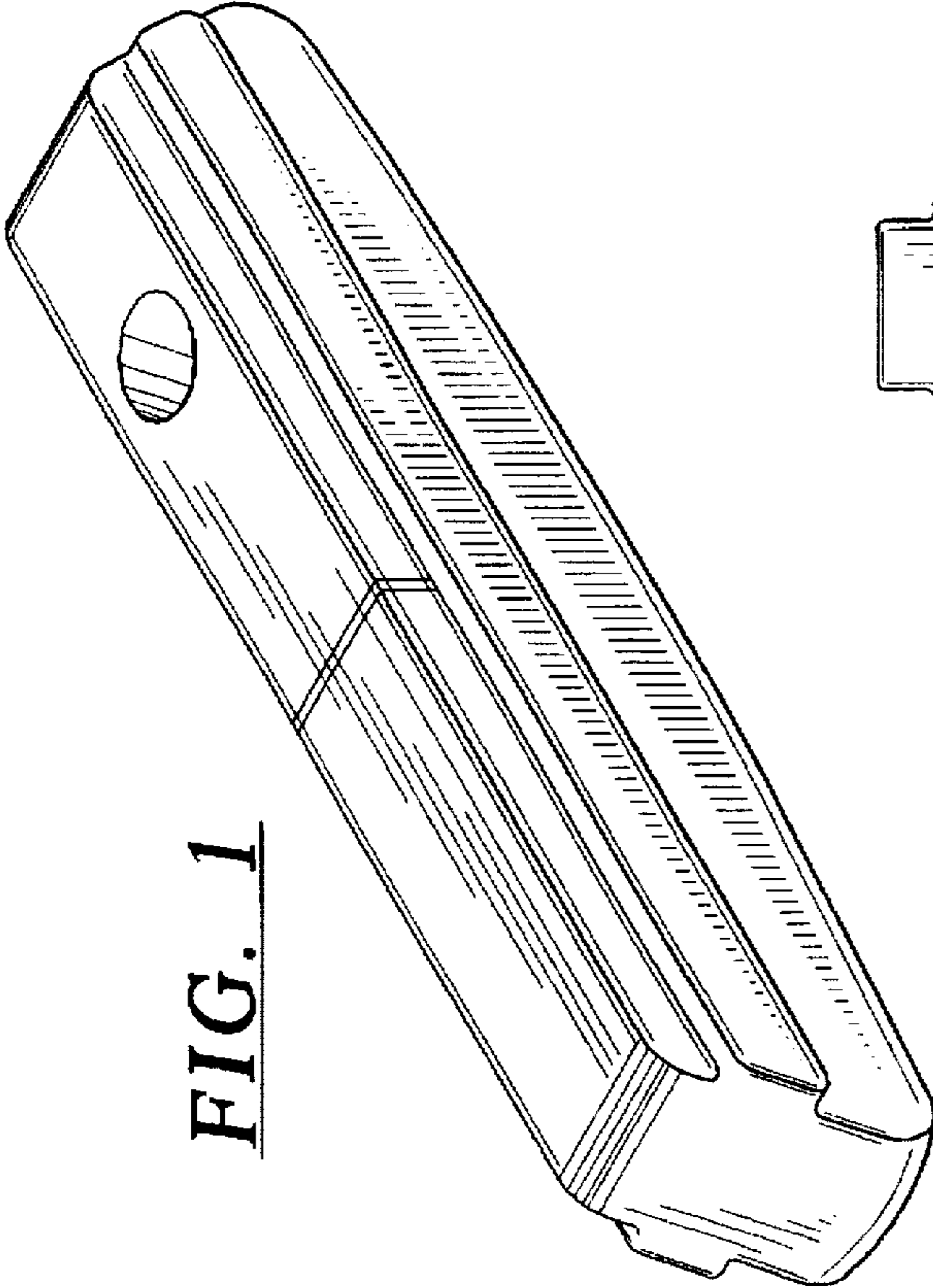


FIG. 6

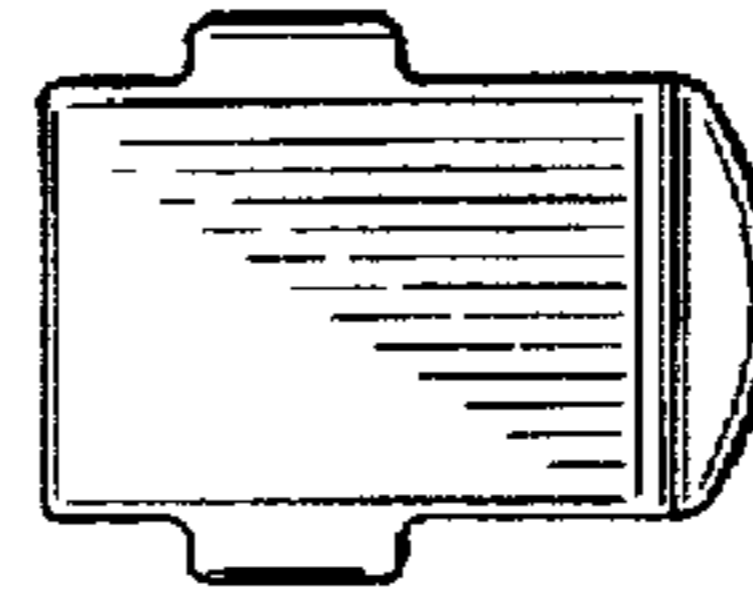


FIG. 2

