



US00D387827S

# United States Patent [19]

McCarn et al.

[11] Patent Number: **Des. 387,827**

[45] Date of Patent: **\*\*Dec. 16, 1997**

[54] **EXERCISE DEVICE**

[76] Inventors: **Jerry McCarn; Mary McCarn**, both of 2703 Curtis Rd., Champaign, Ill. 61821

[\*\*] Term: **14 Years**

[21] Appl. No.: **60,449**

[22] Filed: **Sep. 30, 1996**

[51] LOC (6) Cl. .... **21-02**

[52] U.S. Cl. .... **D21/198**

[58] Field of Search ..... D21/191, 196, D21/197, 198; 482/121, 122, 124, 125, 126, 110, 141, 106, 92

[56] **References Cited**

**U.S. PATENT DOCUMENTS**

- D. 281,446 11/1985 Keilman ..... D21/191
- D. 301,269 5/1989 Lee ..... D21/197
- D. 352,079 11/1994 Kang ..... D21/198

- 3,298,687 1/1967 Douglas ..... 482/122
- 4,489,937 12/1984 Kong ..... 482/126
- 5,022,648 6/1991 Travis ..... 482/122
- 5,259,824 11/1993 Cheltenham ..... 482/141
- 5,334,118 8/1994 Dantolan ..... 482/110

*Primary Examiner*—Philip S. Hyder  
*Attorney, Agent, or Firm*—Harold H. Dutton, Jr.

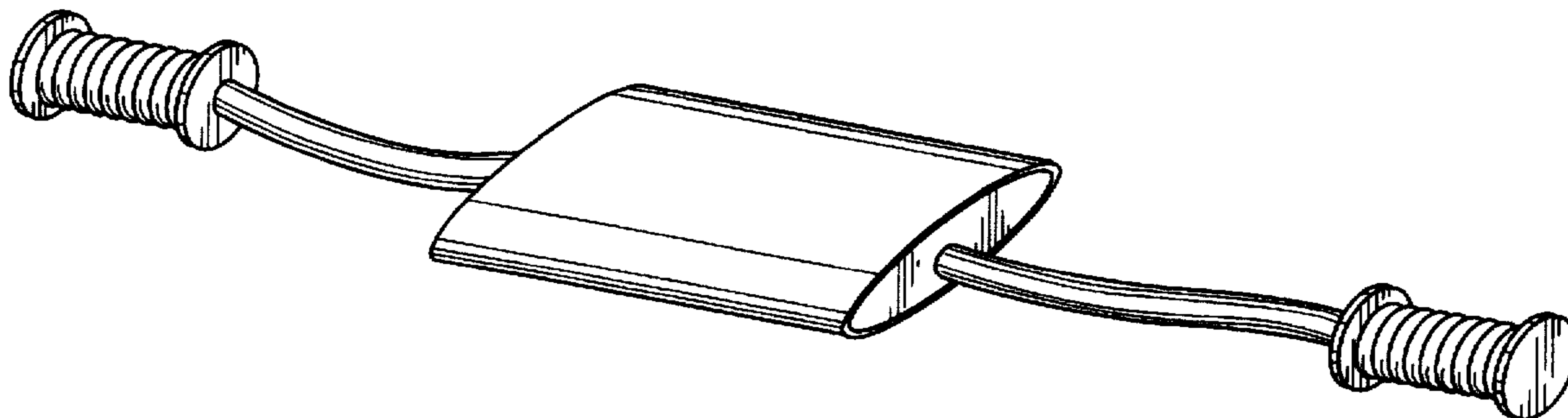
[57] **CLAIM**

The ornamental design for an exercise device, as shown and described.

**DESCRIPTION**

FIG. 1 is a perspective view of an exercise device showing our new design;  
FIG. 2 is a front view thereof;  
FIG. 3 is a top view thereof;  
FIG. 4 is a right view thereof; and,  
FIG. 5 is a left view thereof.  
The rear view is a mirror image of FIG. 2, and the bottom view is a mirror image of FIG. 3.

**1 Claim, 3 Drawing Sheets**



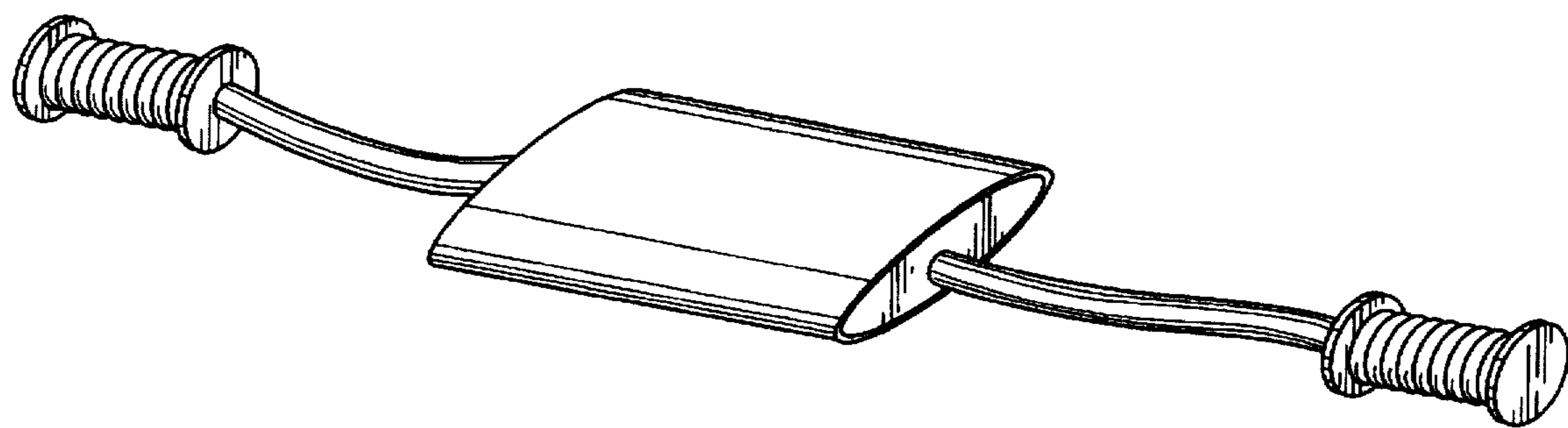


FIG. 1

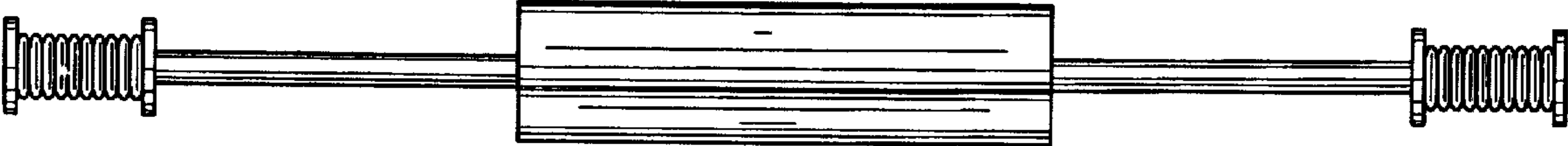


FIG. 2

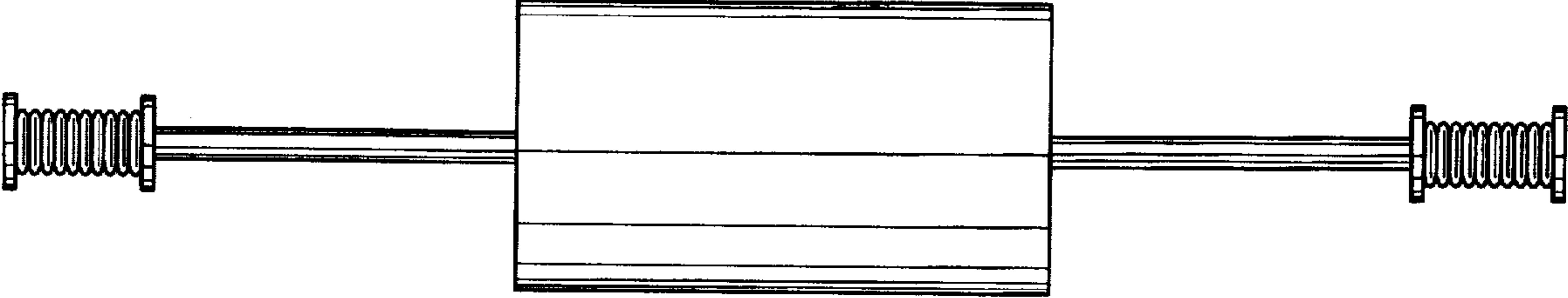
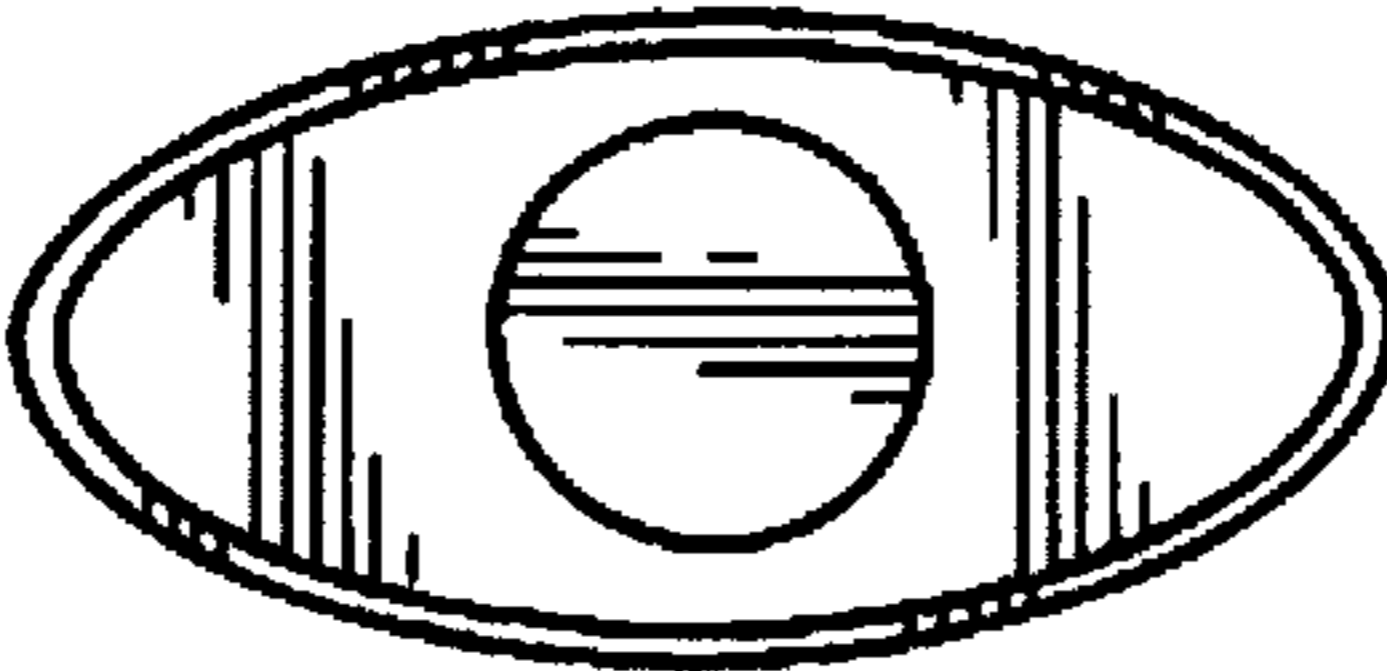
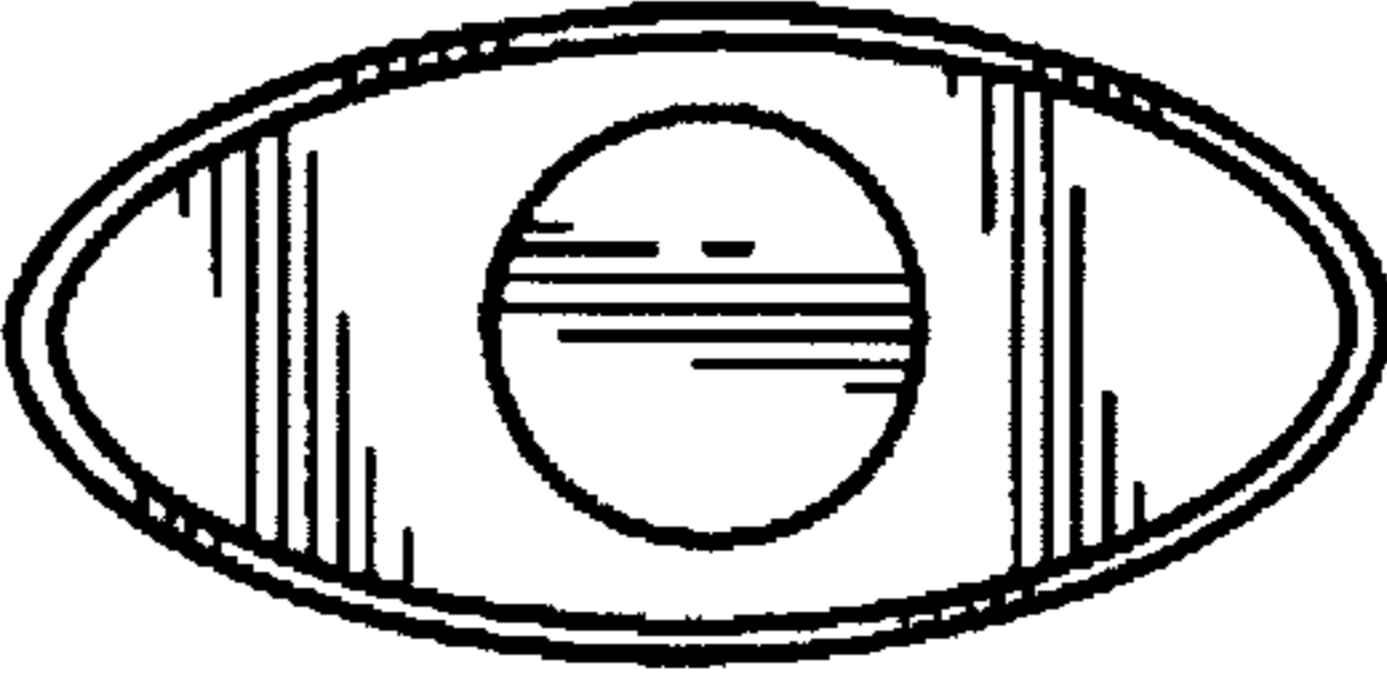


FIG. 3



**FIG. 4**



**FIG. 5**