



US00D387825S

# United States Patent [19]

Fleck et al.

[11] Patent Number: Des. 387,825

[45] Date of Patent: \*\*Dec. 16, 1997

[54] EXERCISE DEVICE

[75] Inventors: Amy R. Fleck, Minneapolis; Robin D. Russell, Bloomington; Manette M. Chadwick, St. Louis Park, all of Minn.; Daniel W. Ashcraft, Torrance, Calif.; Deanna L. Griffith, Long Beach, Calif.; Kurt M. Solland, Redondo Beach, Calif.

[73] Assignee: NordicTrack, Inc., Chaska, Minn.

[\*\*] Term: 14 Years

[21] Appl. No.: 59,098

[22] Filed: Sep. 3, 1996

[51] LOC (6) Cl. .... 21-02

[52] U.S. Cl. .... D21/195

[58] Field of Search ..... D21/191, 192, D21/194, 195; 482/95, 96, 97, 98, 51, 62, 57, 72, 137

[56] References Cited

U.S. PATENT DOCUMENTS

- D. 356,128 3/1995 Smith et al. .... D21/195
- D. 367,688 3/1996 Dixon et al. .... D21/195
- D. 367,689 3/1996 Wilkinson et al. .... D21/195
- D. 372,509 8/1996 Yang ..... D21/195

- D. 375,337 11/1996 Adkins et al. .... D21/195
- D. 375,534 11/1996 Lin ..... D21/195
- 5,527,243 6/1996 Chen ..... 482/96
- 5,586,959 12/1996 Adkins et al. .... 482/96

Primary Examiner—Philip S. Hyder  
Attorney, Agent, or Firm—Charles E. Steffey

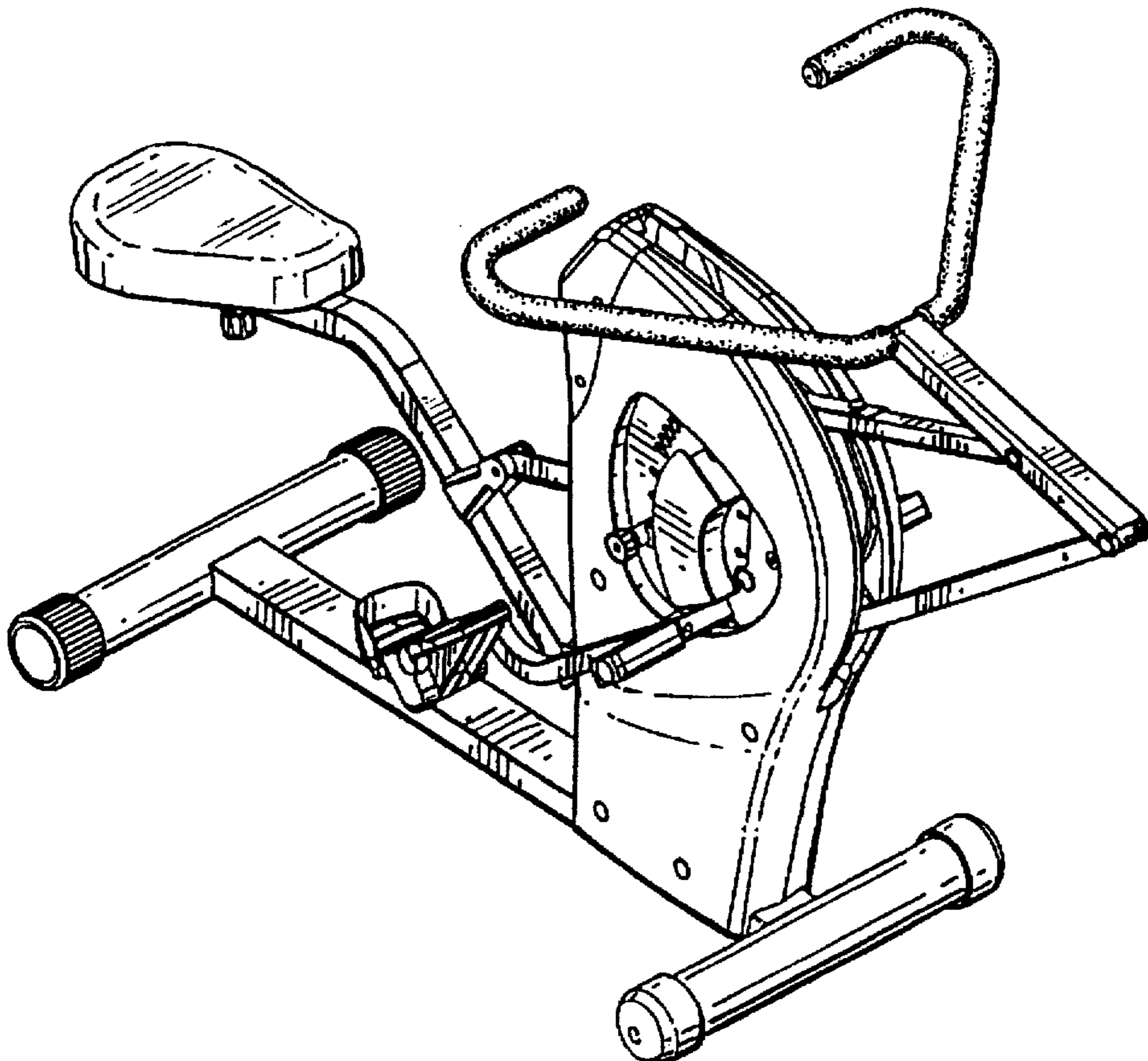
[57] CLAIM

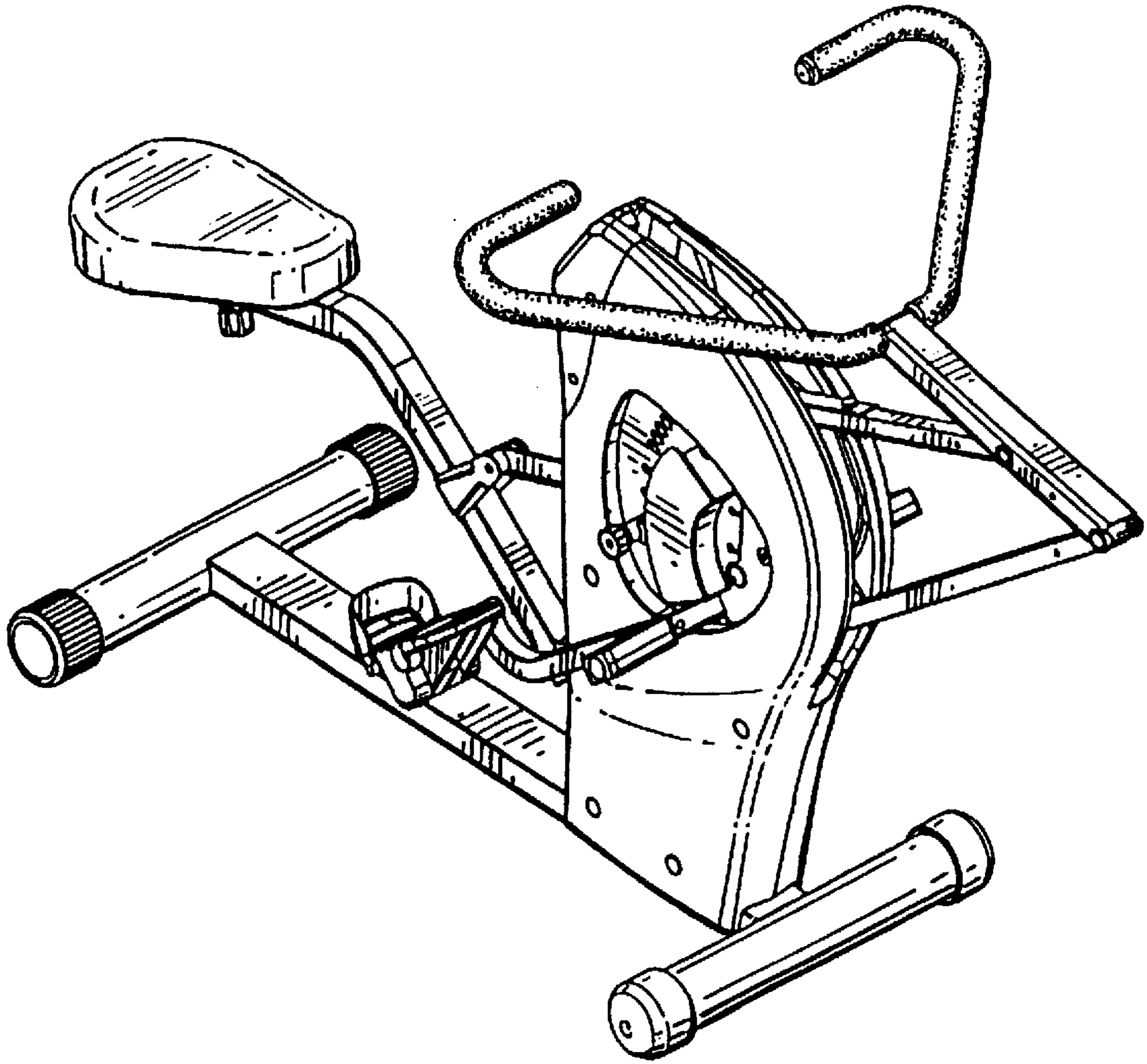
The ornamental design for an exercise device, as shown and described.

DESCRIPTION

FIG. 1 is a perspective view of an exercise device, showing our new design;  
 FIG. 2 is a side elevational view of the exercise device as shown in FIG. 1;  
 FIG. 3 is a front elevational view of the exercise device as shown in FIG. 1;  
 FIG. 4 is a rear elevational view of the exercise device as shown in FIG. 1;  
 FIG. 5 is a left side elevational view of the exercise device as shown in FIG. 1;  
 FIG. 6 is a top plan view of the exercise device as shown in FIG. 1; and,  
 FIG. 7 is a bottom plan view of the exercise device as shown in FIG. 1.

1 Claim, 4 Drawing Sheets





*FIG. 1*

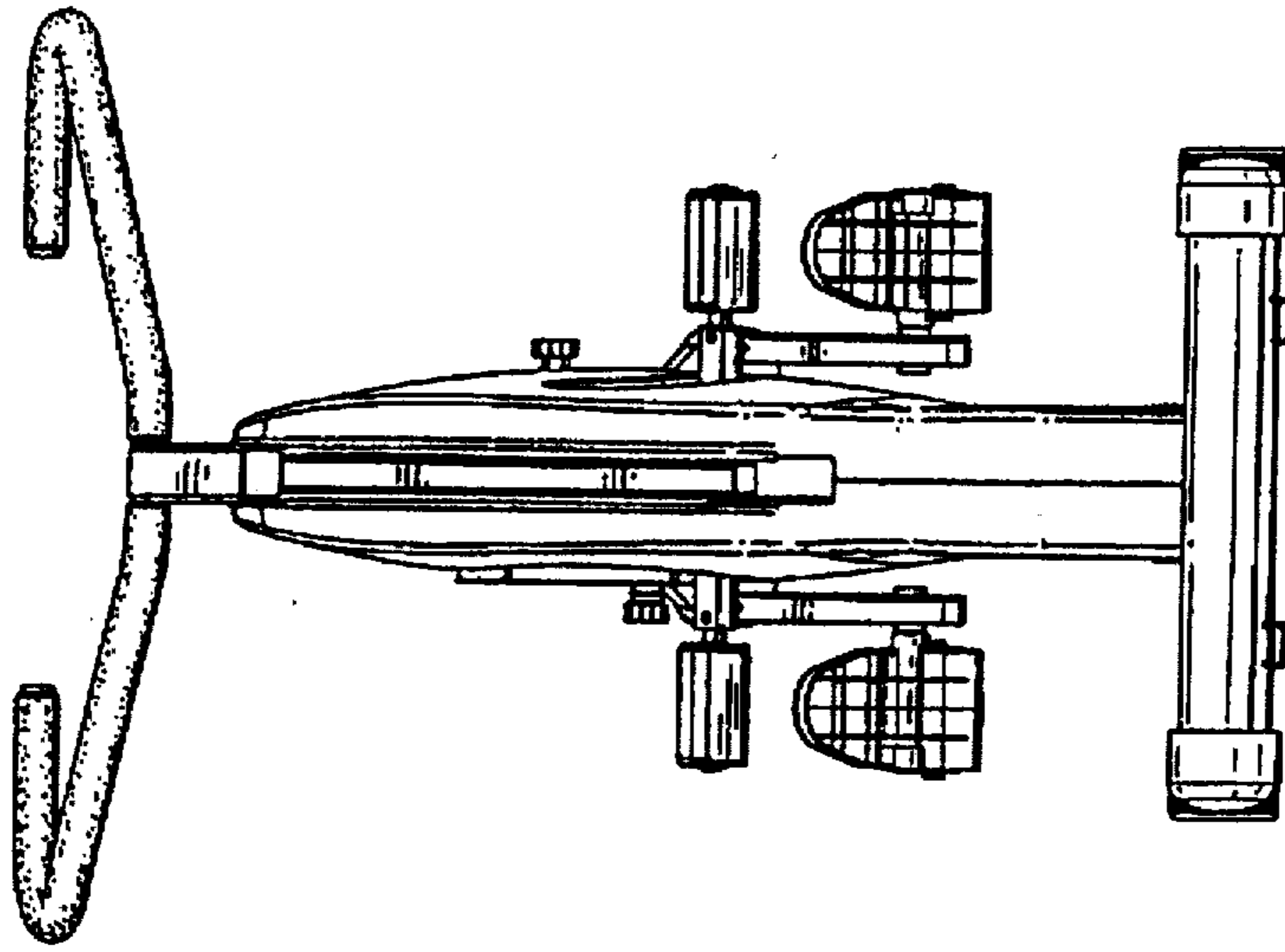


FIG. 3

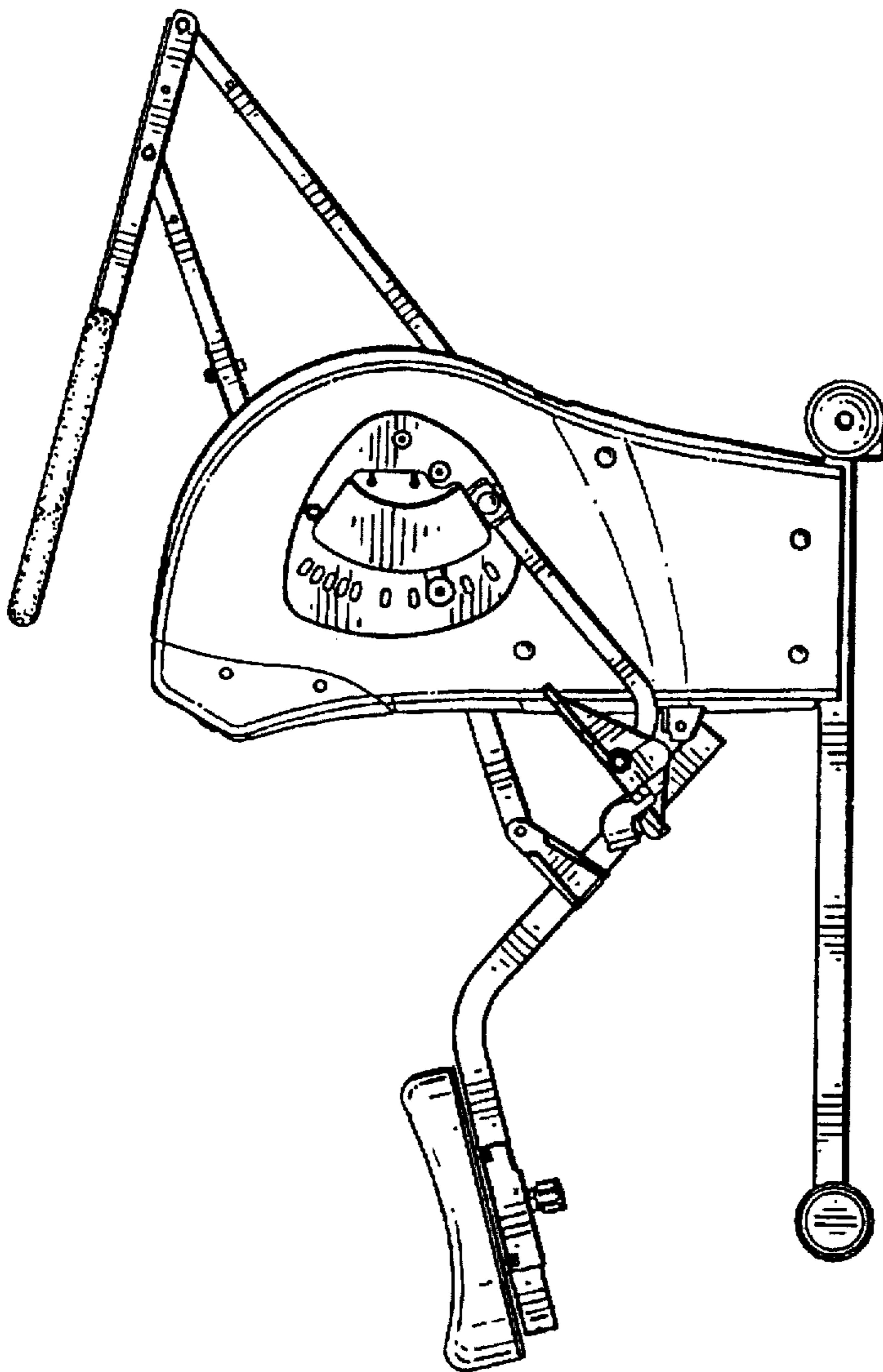


FIG. 2

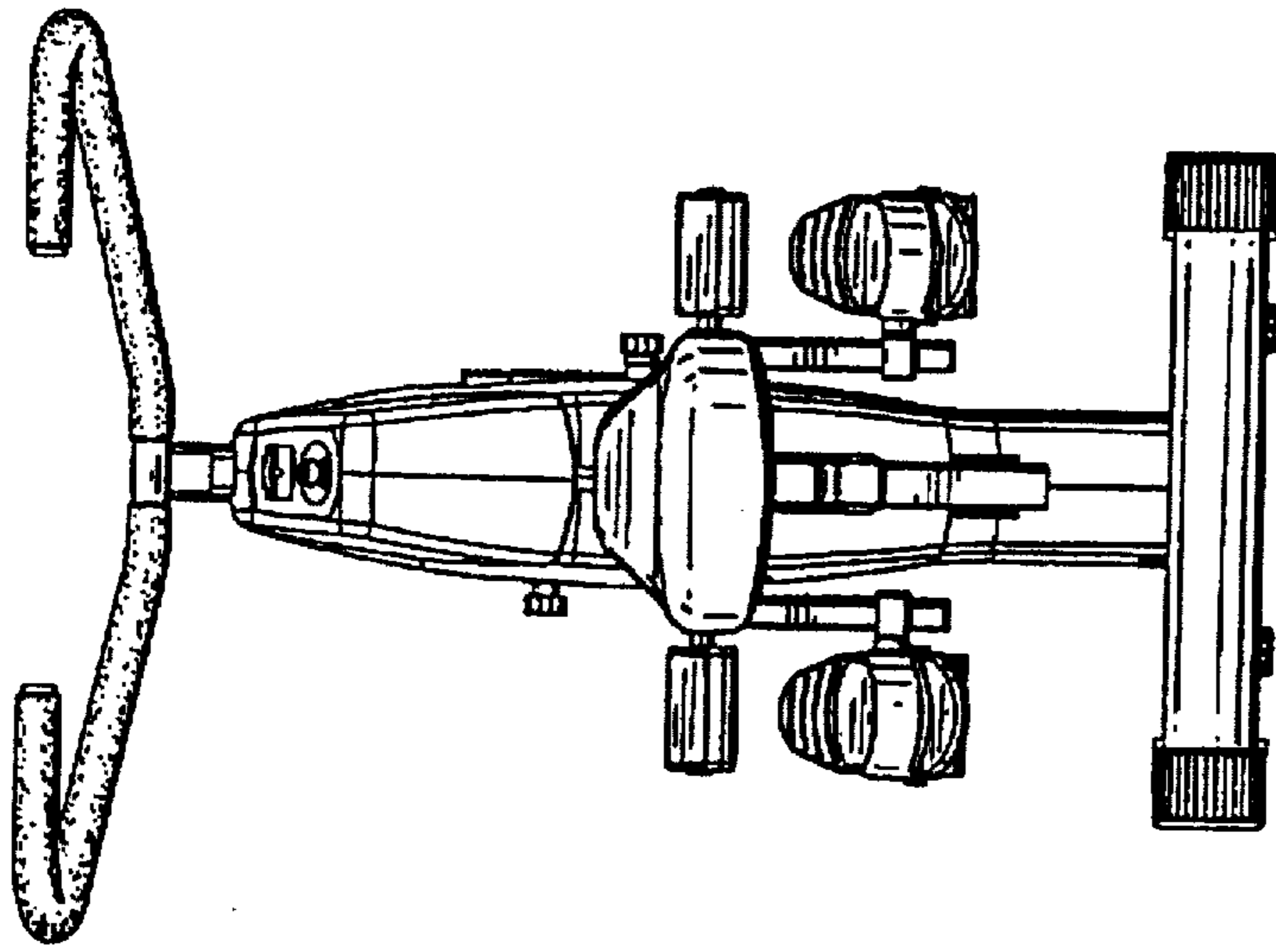


FIG. 4

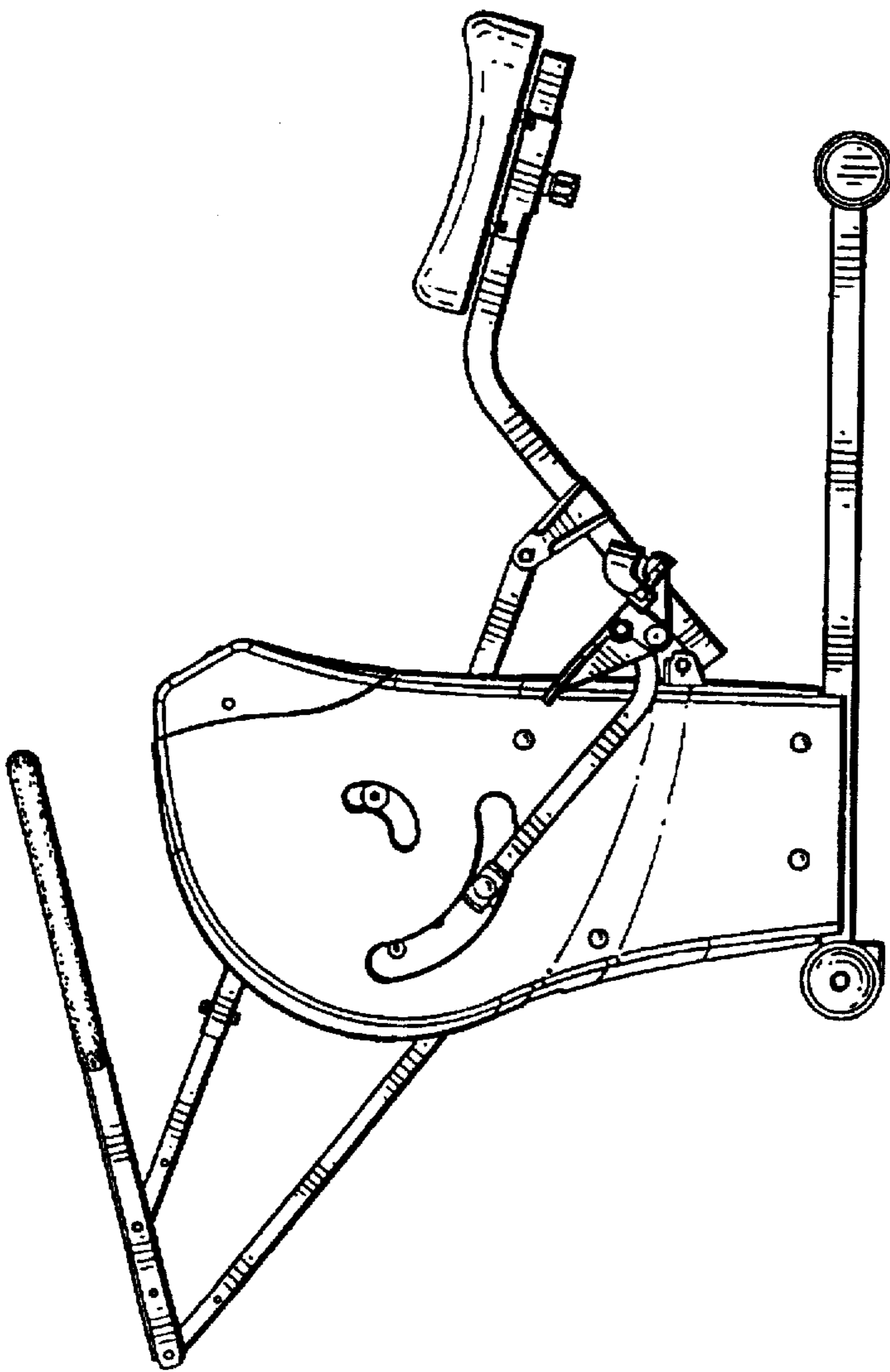


FIG. 5

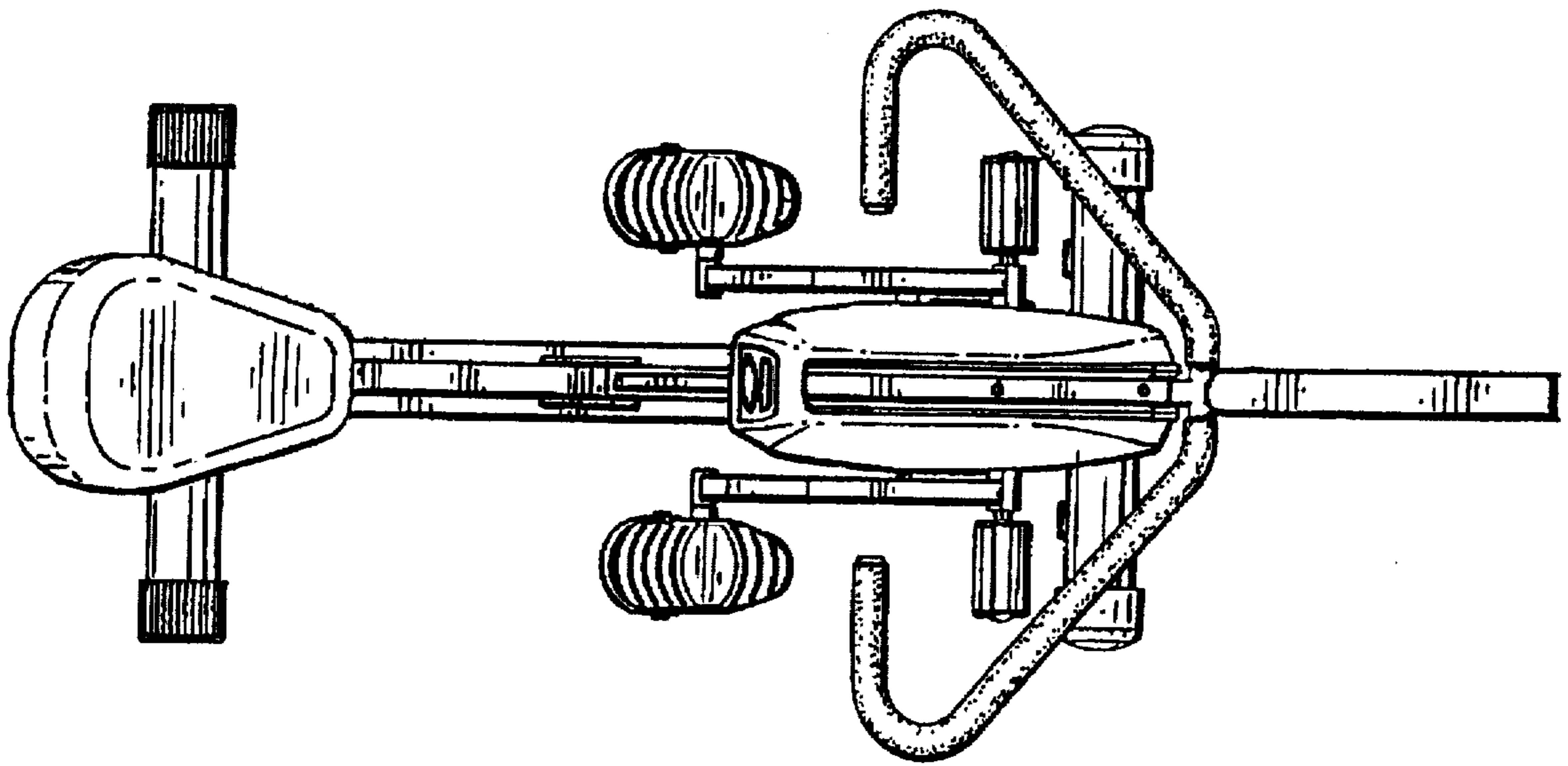


FIG. 6

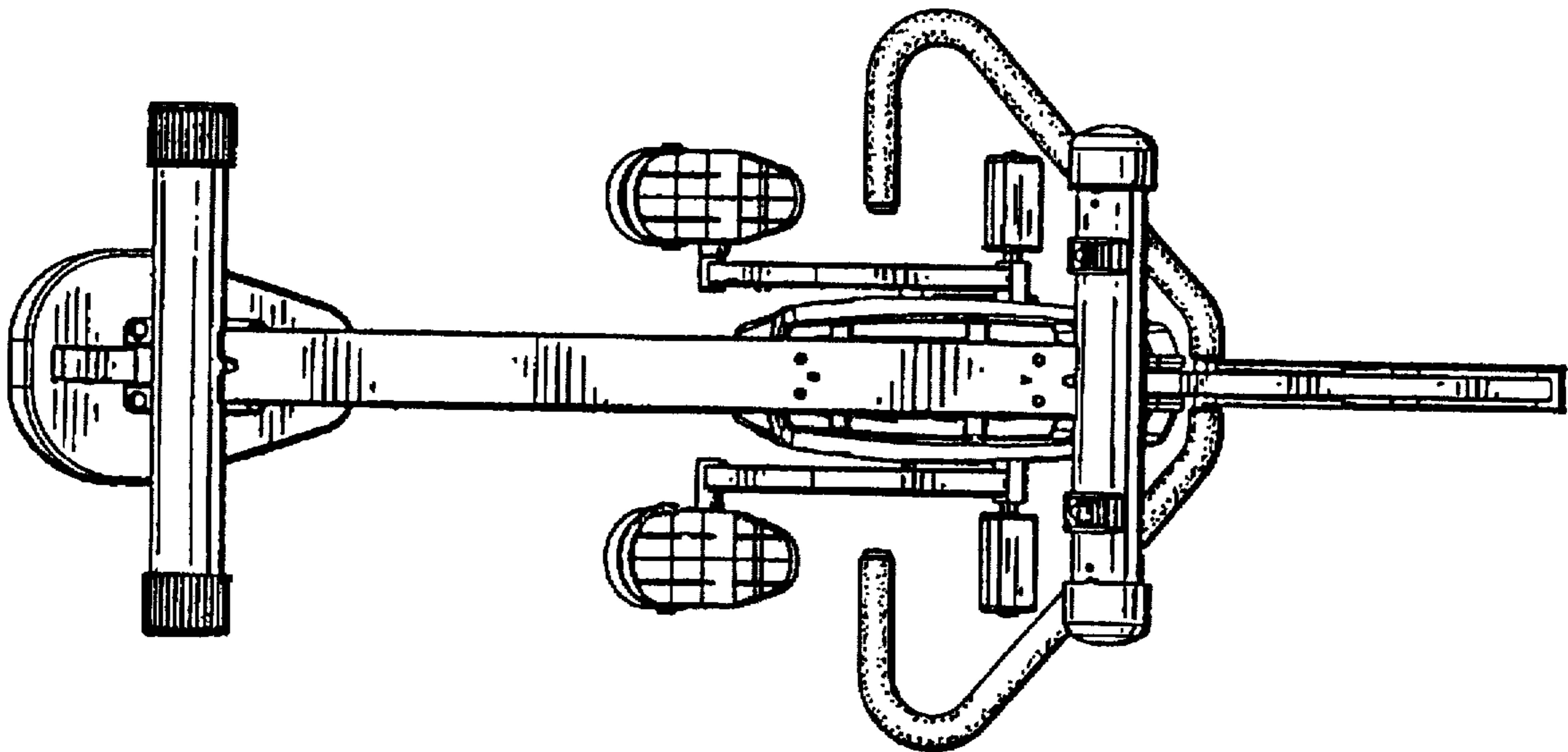


FIG. 7