



US00D387822S

United States Patent [19]
Dawson

[11] **Patent Number: Des. 387,822**
[45] **Date of Patent: **Dec. 16, 1997**

[54] **BATTLE BOXERS GAME**

FOREIGN PATENT DOCUMENTS

[76] **Inventor: Eric Dawson, 669 W. 6th St., Riviera Beach, Fla. 33404**

518872 11/1955 Canada 446/334
193865 7/1923 United Kingdom 446/334

[**] **Term: 14 Years**

Primary Examiner—Sandra L. Morris

[21] **Appl. No.: 54,165**

[57] **CLAIM**

[22] **Filed: May 6, 1996**

The ornamental design for a battle boxers game, as shown.

[51] **LOC (6) CL 21-01**

DESCRIPTION

[52] **U.S. Cl. D21/150**

[58] **Field of Search D21/148-153;
446/334-335**

FIG. 1 is a right side elevational view of the battle boxers game, showing my new design;

FIG. 2 is a left side elevational view thereof;

FIG. 3 is a front elevational view thereof;

FIG. 4 is a rear elevational view thereof;

FIG. 5 is a top plan view thereof;

FIG. 6 is a bottom plan view thereof; and,

FIG. 7 is a top, front, right side perspective view thereof.

[56] **References Cited**

U.S. PATENT DOCUMENTS

D. 324,893	3/1992	Uehara et al.	D21/150
1,379,103	5/1921	Jensen	446/335
1,811,929	6/1931	Harris	446/334
2,158,052	5/1939	Berger	446/335
2,496,725	2/1950	Hotcaveg	446/335
3,235,259	2/1966	Glass et al.	446/334

1 Claim, 4 Drawing Sheets

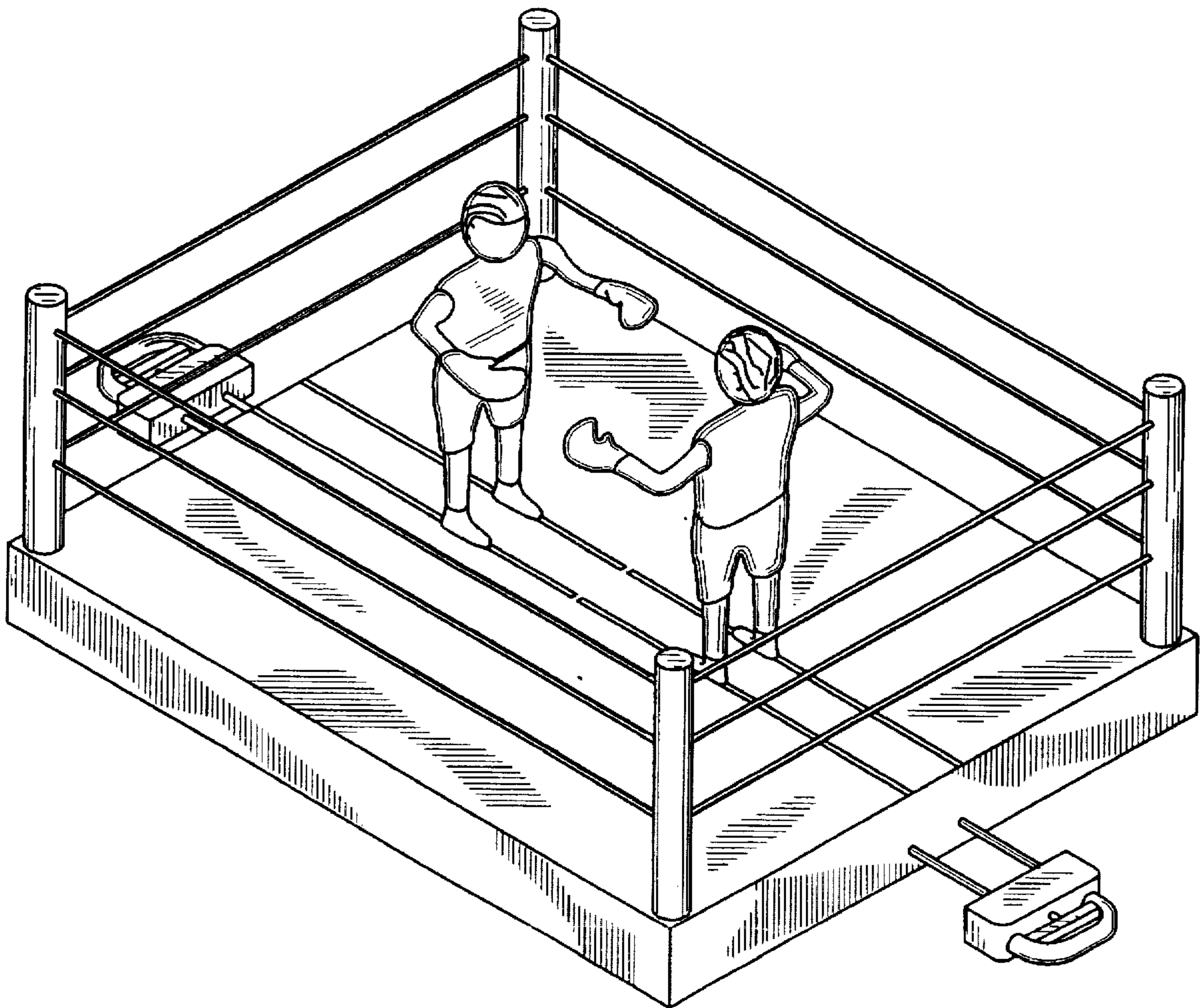


FIG. 1

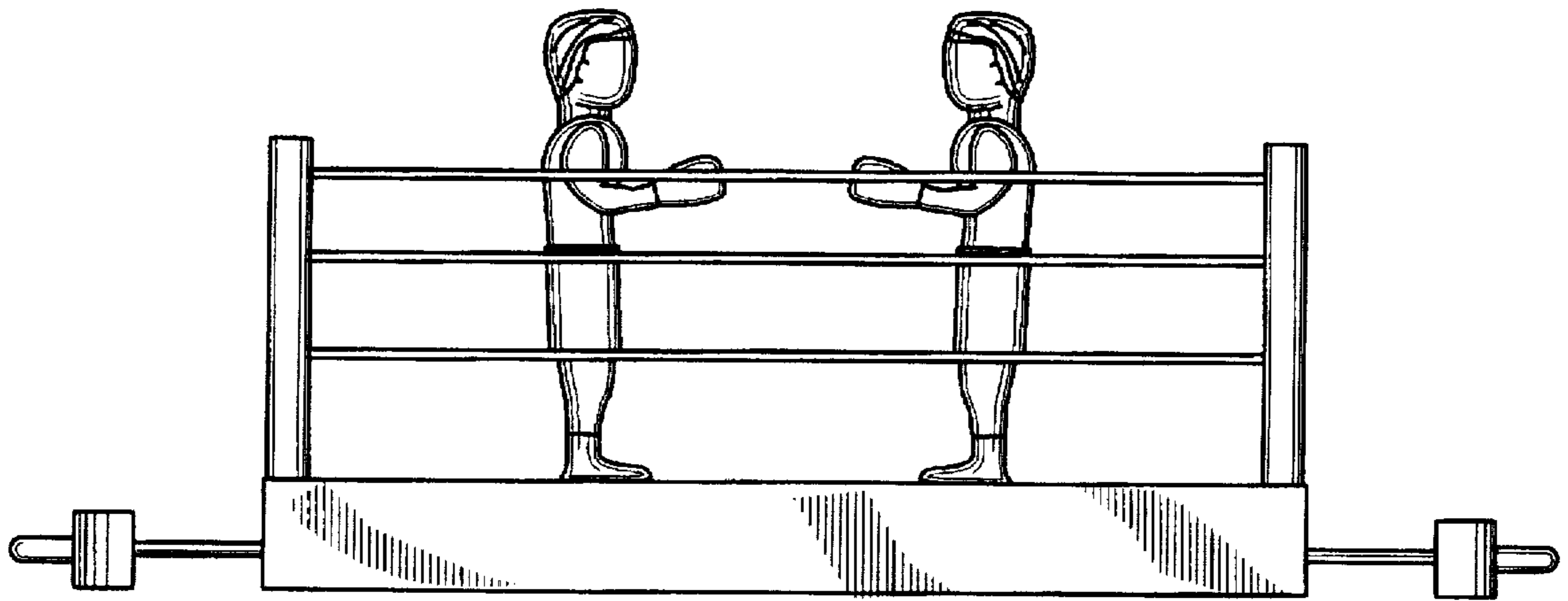


FIG. 2

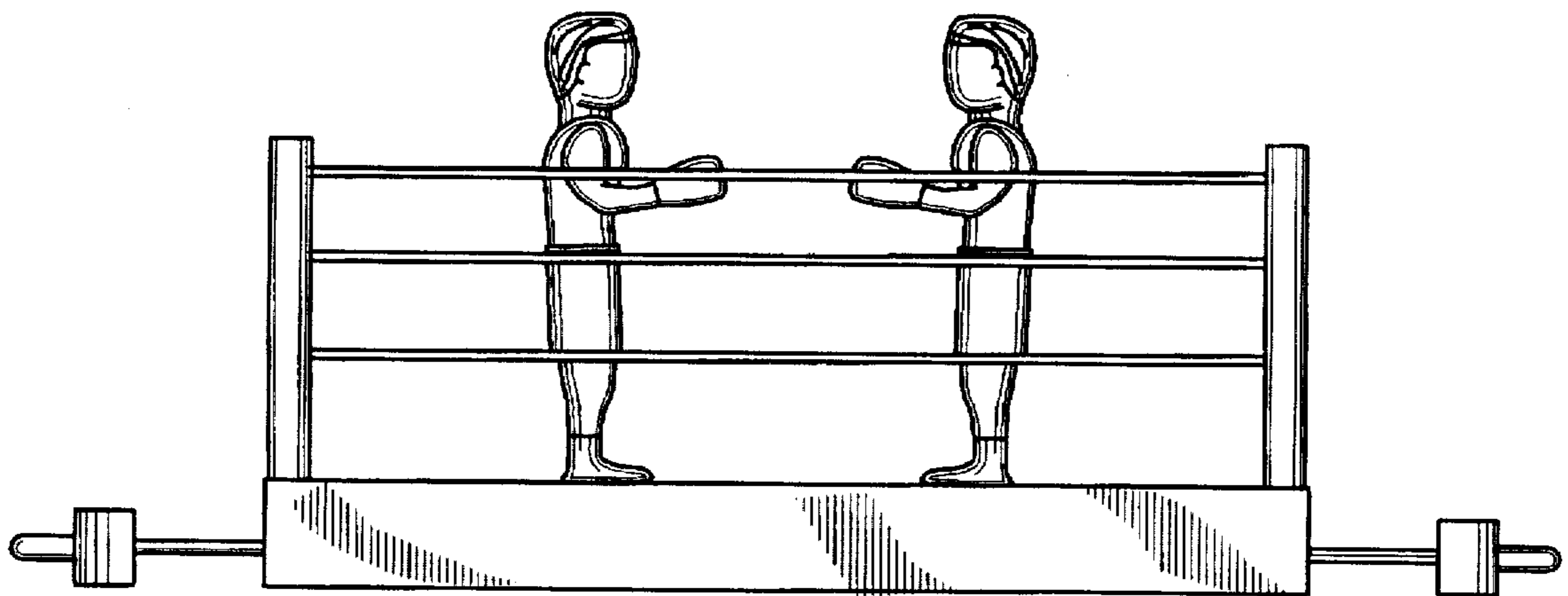


FIG. 3

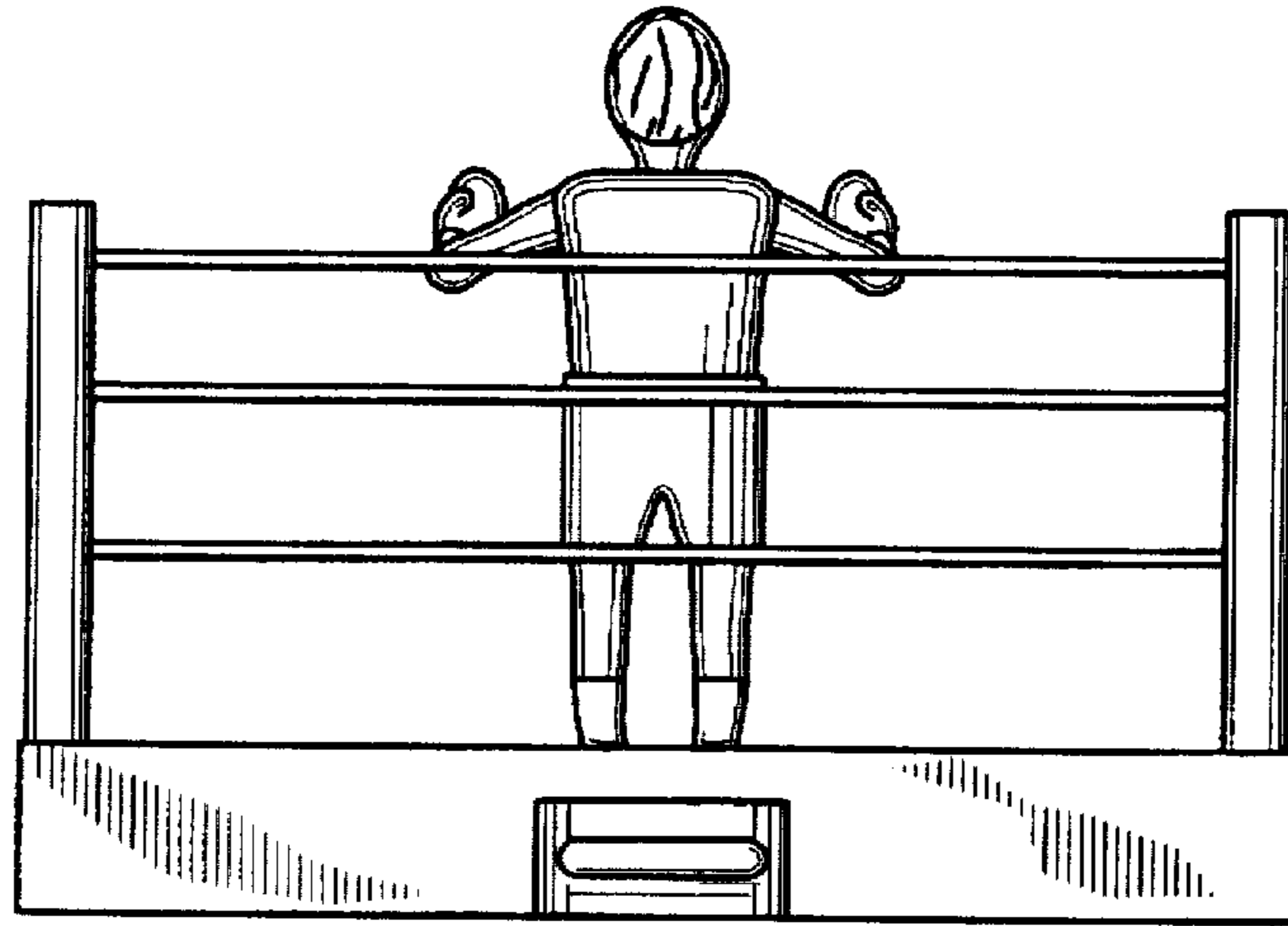


FIG. 4

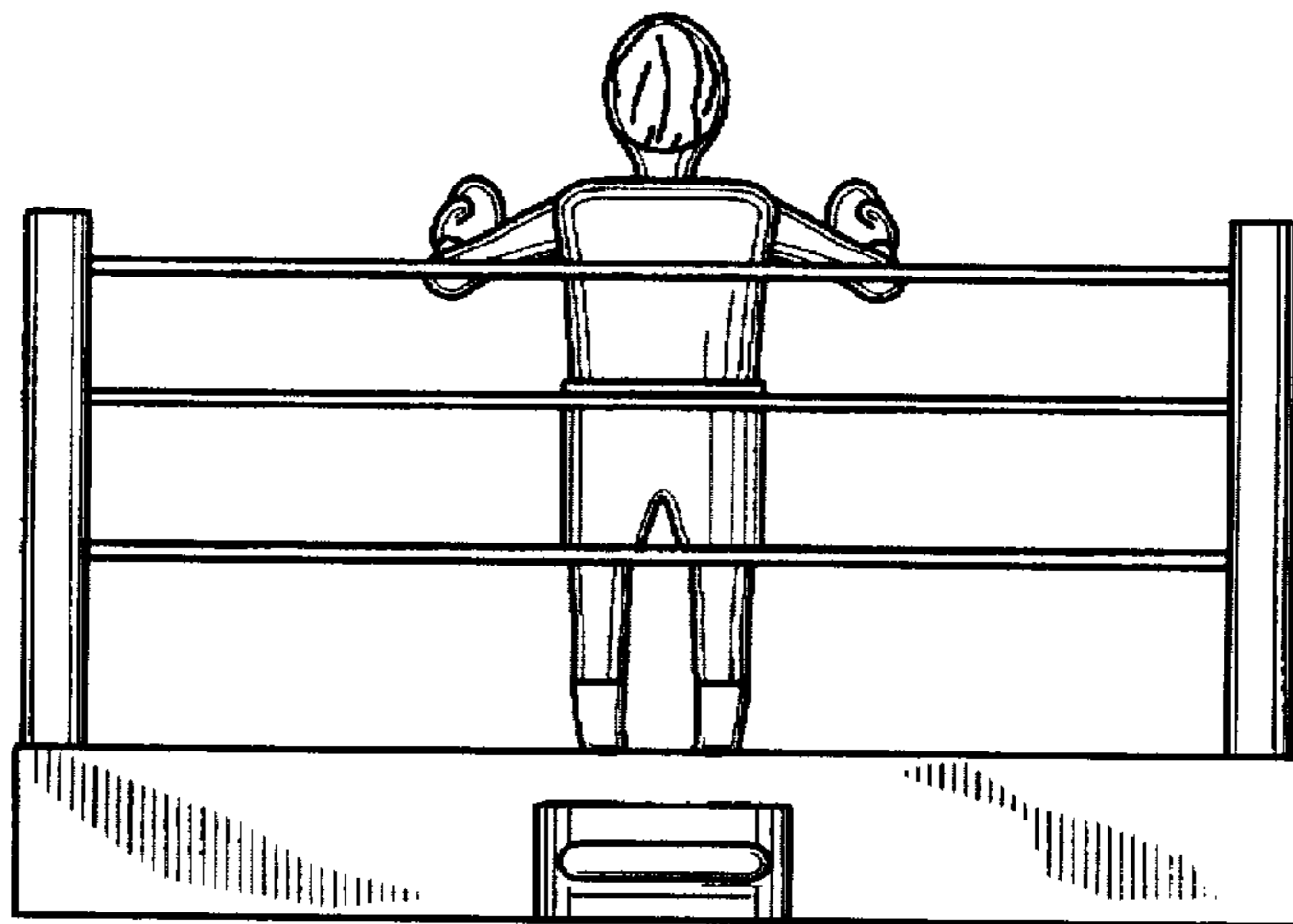


FIG. 5

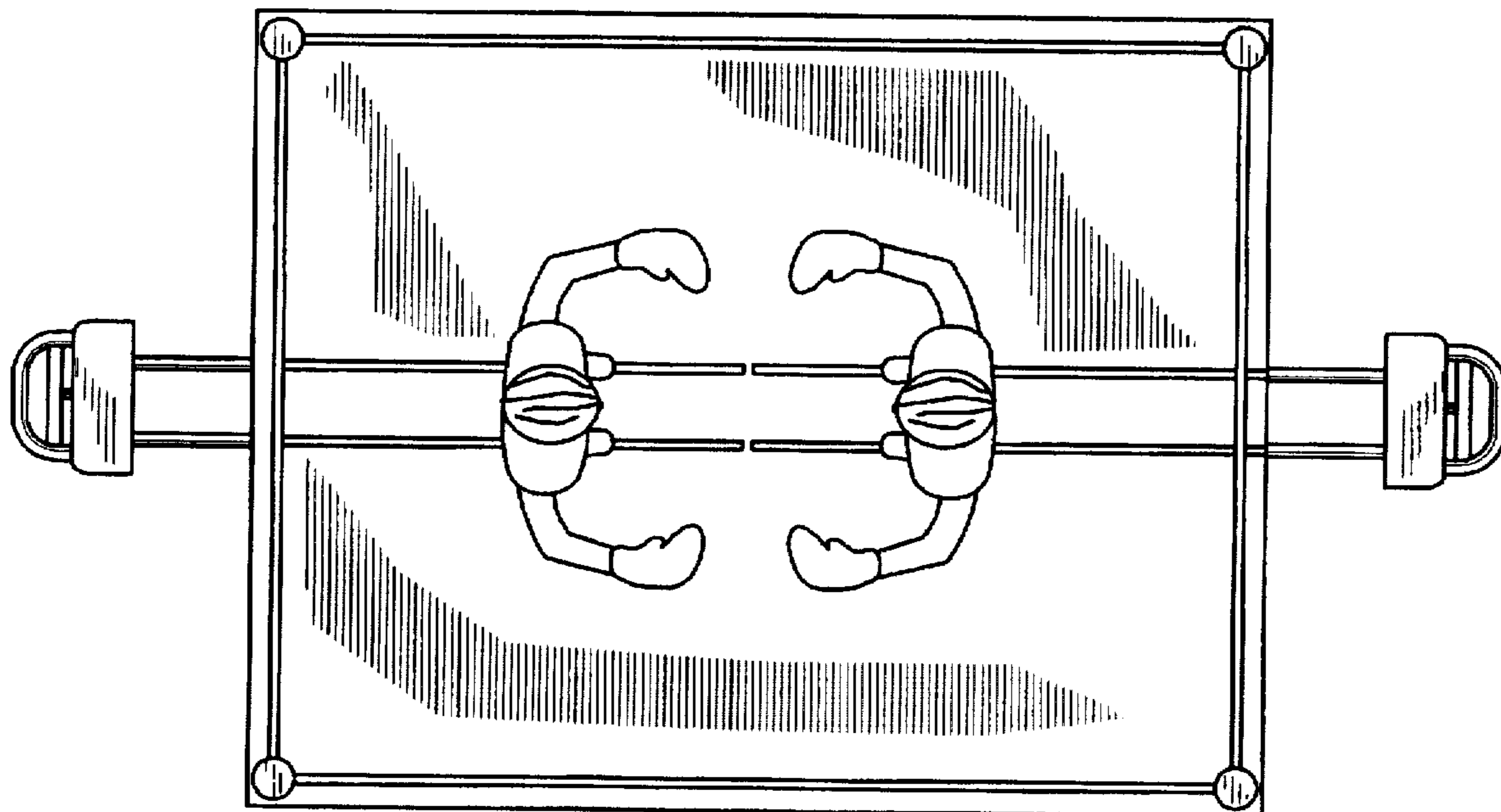


FIG. 6

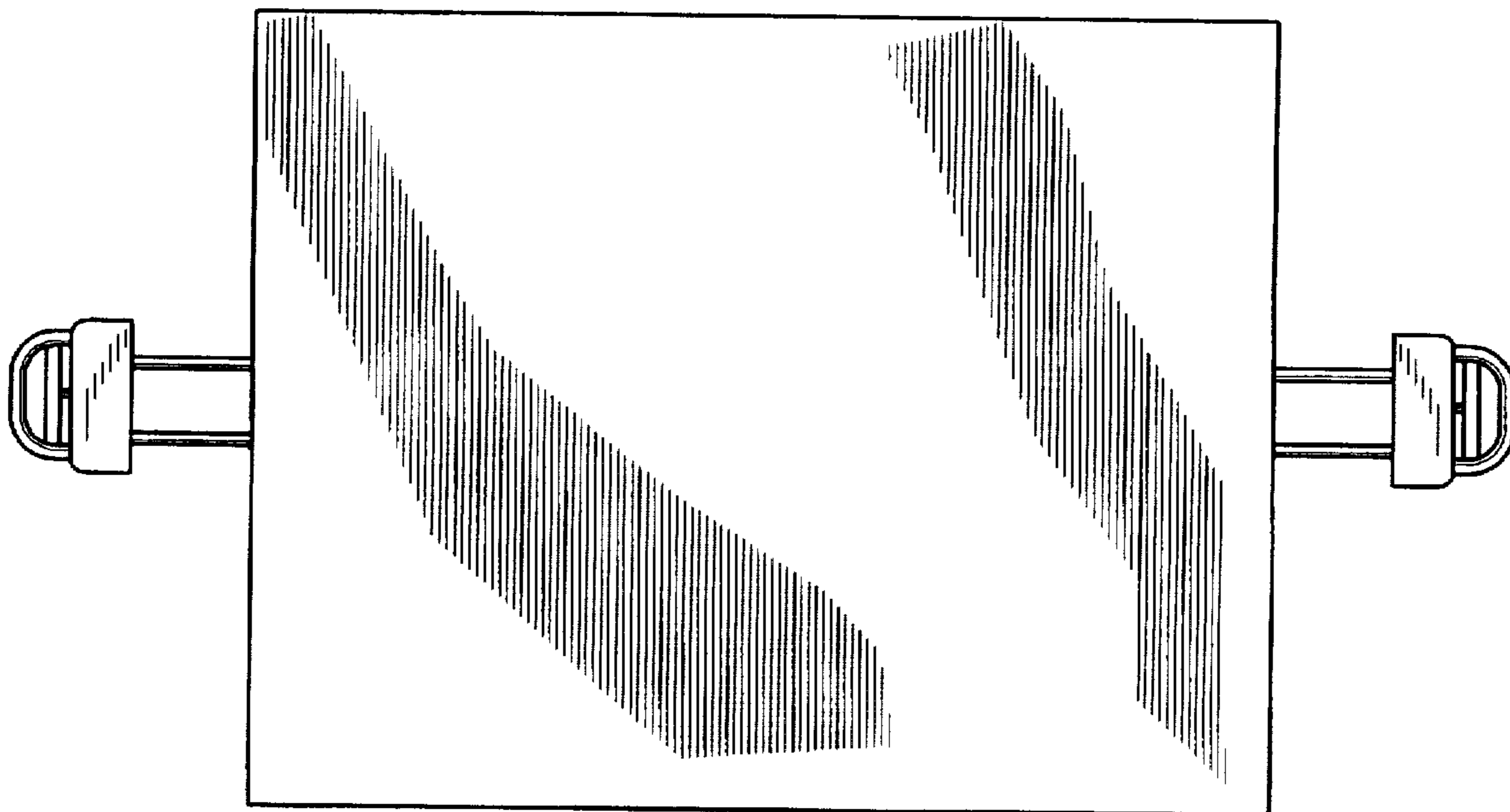


FIG. 7

