



US00D387807S

# United States Patent [19] McAllister

[11] Patent Number: **Des. 387,807**

[45] Date of Patent: **\*\*Dec. 16, 1997**

[54] **ADJUSTABLE MAGAZINE HOLDER**

[76] Inventor: **Michael McAllister**, #13 S. 3rd St. Apt. 2-R, Harrison, N.J. 07029-1715

[\*\*] Term: **14 Years**

[21] Appl. No.: **62,453**

[22] Filed: **Nov. 15, 1996**

[51] LOC (6) Cl. .... **19-02**

[52] U.S. Cl. .... **D19/91; D6/553**

[58] Field of Search ..... **D6/553, 511, 406; D19/91, 88, 90, 35, 36, 52, 65, 75; 248/441.1, 442.2, 451-457, 282.1, 283.1, 241, 229.1**

[56] **References Cited**

**U.S. PATENT DOCUMENTS**

D. 331,345	12/1992	Carlin .....	D6/553 X
D. 337,789	7/1993	Bain et al. ....	D19/91 X
D. 348,081	6/1994	Cady .....	D19/884
D. 356,340	3/1995	Browning, Jr. ....	D19/88 X
1,318,703	10/1919	Stuchlak .....	248/282.1 X
2,994,366	8/1961	Hoch .....	248/229.1 X

*Primary Examiner*—Susan J. Lucas  
*Assistant Examiner*—Pamela Burgess

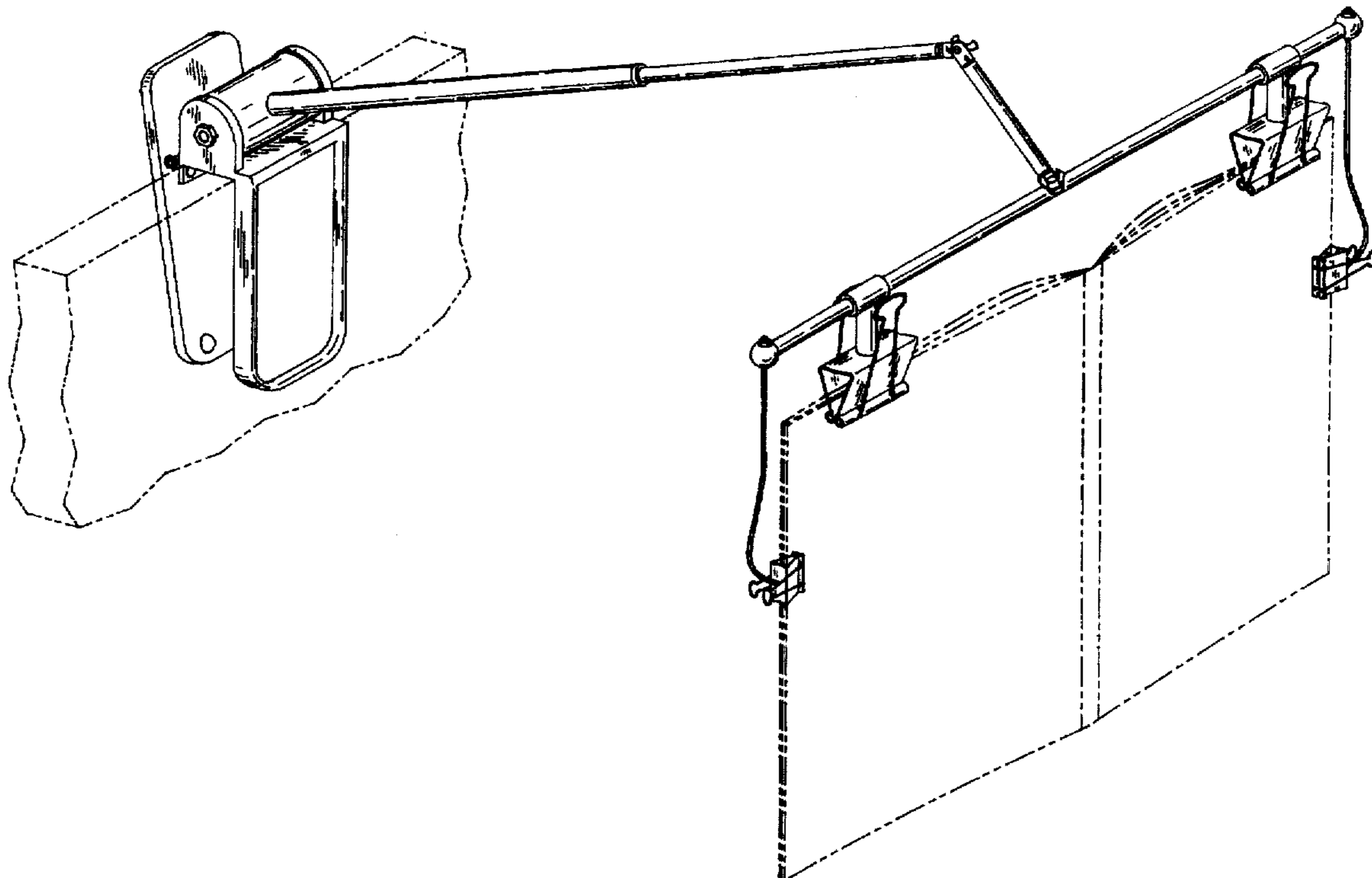
[57] **CLAIM**

The ornamental design for an adjustable magazine holder, as shown and described.

**DESCRIPTION**

FIG. 1 is a right side elevational view of an adjustable magazine holder showing my new design;  
 FIG. 2 is a top perspective view thereof, the broken line disclosure of a magazine is for illustrative purposes only and forms no part of the claimed design;  
 FIG. 3 is a front elevational view thereof, with the right clip shown in an alternate position;  
 FIG. 4 is a rear elevational view thereof;  
 FIG. 5 is a top plan view thereof, with the horizontal extension element shown in an alternate retracted position; and,  
 FIG. 6 is a bottom plan view thereof, with the cross bar shown in an alternate pivoted position.  
 The broken line disclosure of a portion of a support surface is for illustrative purposes only and forms no part of the claimed design.

**1 Claim, 3 Drawing Sheets**



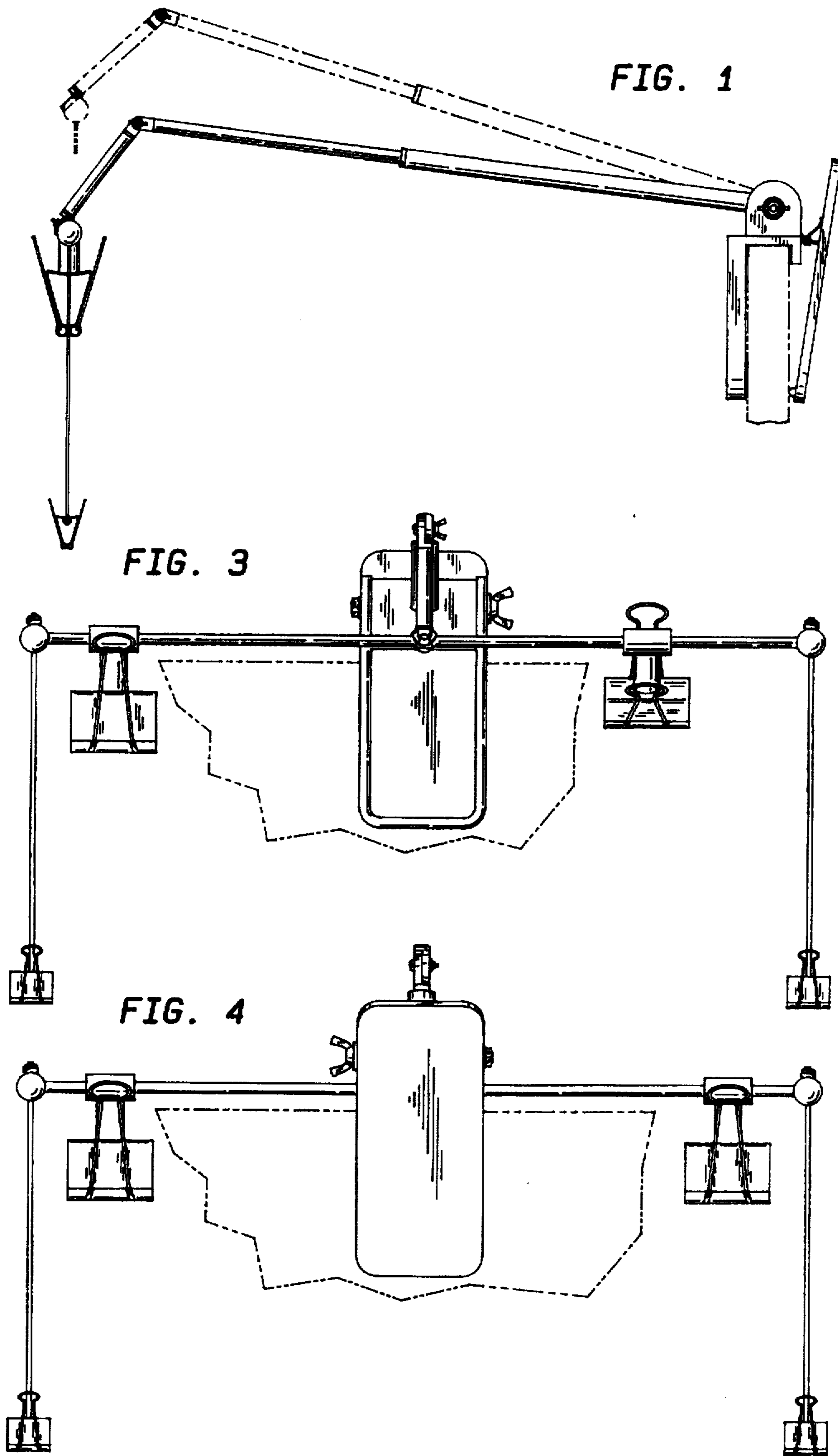


FIG. 2

