

US00D387797S

United States Patent [19]

Alcock et al.

[11] Patent Number: **Des. 387,797**

[45] Date of Patent: ****Dec. 16, 1997**

[54] **SPORT GOGGLE STRAP COVER**

3,173,147 3/1965 Gross et al. 2/452

[75] Inventors: **Todd R. Alcock**, Frisco; **Mark A. Helle**; **Lisa A. White**, both of Breckenridge, all of Colo.

Primary Examiner—Raphael Barkai
Attorney, Agent, or Firm—Klaas, Law, O’Meara & Malkin, P.C.; Jay K. Malkin

[73] Assignee: **Summit Ski Wear**, Breckenridge, Colo.

[57] **CLAIM**

[**] Term: **14 Years**

The ornamental design for a sport goggle strap cover, as shown and described.

[21] Appl. No.: **20,541**

DESCRIPTION

[22] Filed: **Mar. 28, 1994**

FIG. 1 is a bottom perspective view of a sport goggle strap cover showing our new design, wherein said apparatus is illustrated in a closed configuration;

[51] LOC (6) Cl. **16-06**

[52] U.S. Cl. **D16/330; D16/339**

FIG. 2 is an end view thereof, with the opposite end being a mirror image thereof;

[58] Field of Search D16/301, 306, D16/309, 311-312, 330, 339; 351/41, 44, 156-158; 2/12, 13, 452, 426, 425; D3/263, 265, 266; D2/865, 866

FIG. 3 is a side elevational view thereof, with the opposite side view being a mirror image thereof;

FIG. 4 is a bottom plan view thereof;

FIG. 5 is a top plan view thereof;

[56] **References Cited**

U.S. PATENT DOCUMENTS

D. 294,710	3/1988	Witzel	D16/339
D. 305,901	2/1990	Witzel	D16/339
D. 315,812	3/1991	Cionni	D16/339
D. 330,717	11/1992	Rupert et al.	..	
D. 361,081	8/1995	Pardinas	D16/339
2,554,630	5/1951	Miller	351/158
2,758,309	8/1956	Baratelli	2/452

FIG. 6 is a top perspective view of the sport goggle strap cover of FIGS. 1-5, wherein said apparatus is shown in an open configuration;

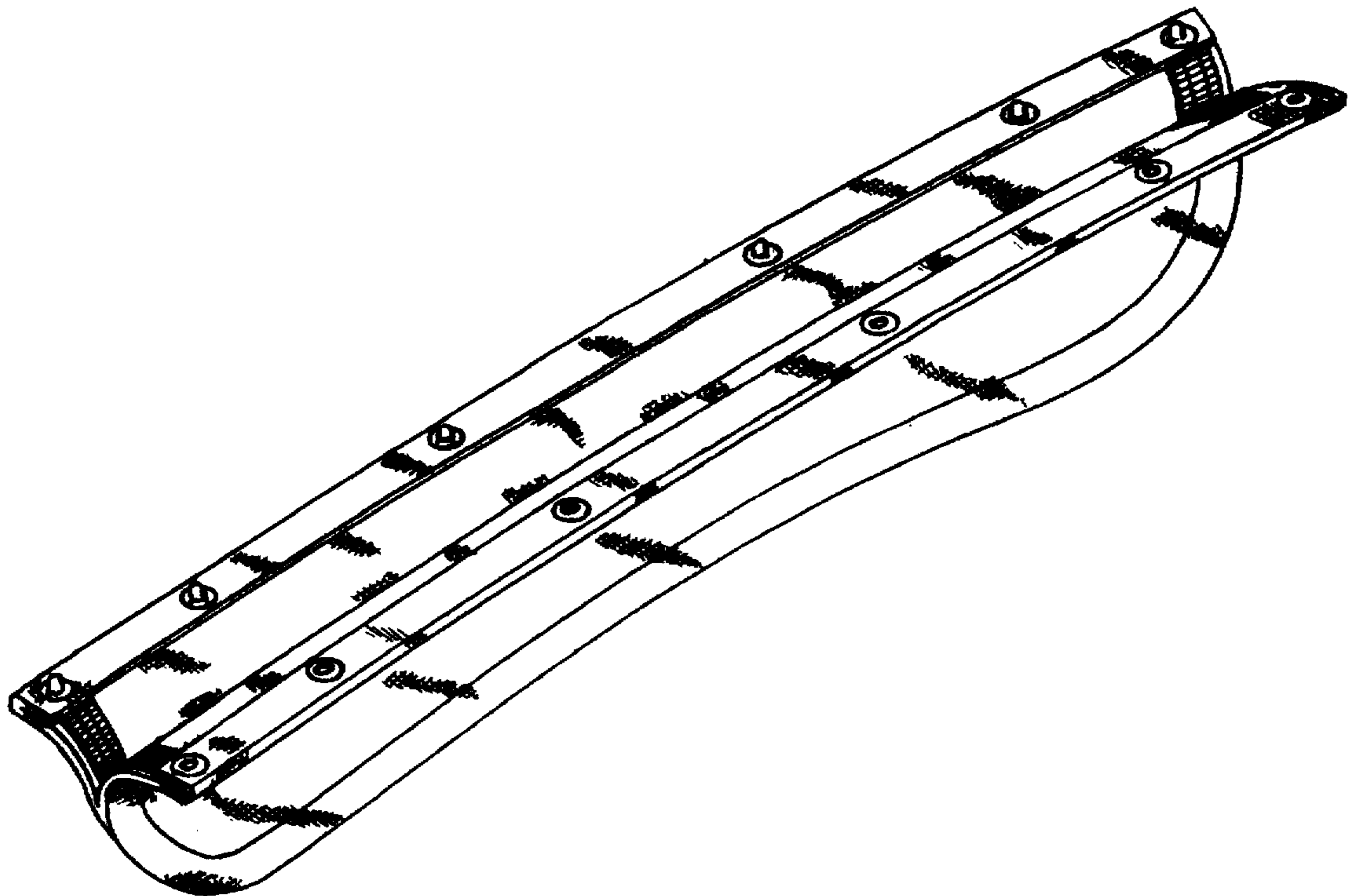
FIG. 7 is an end view thereof;

FIG. 8 is a side elevational view thereof, with the opposite side view being a mirror image thereof;

FIG. 9 is a top plan view thereof; and,

FIG. 10 is a bottom plan view thereof.

1 Claim, 2 Drawing Sheets



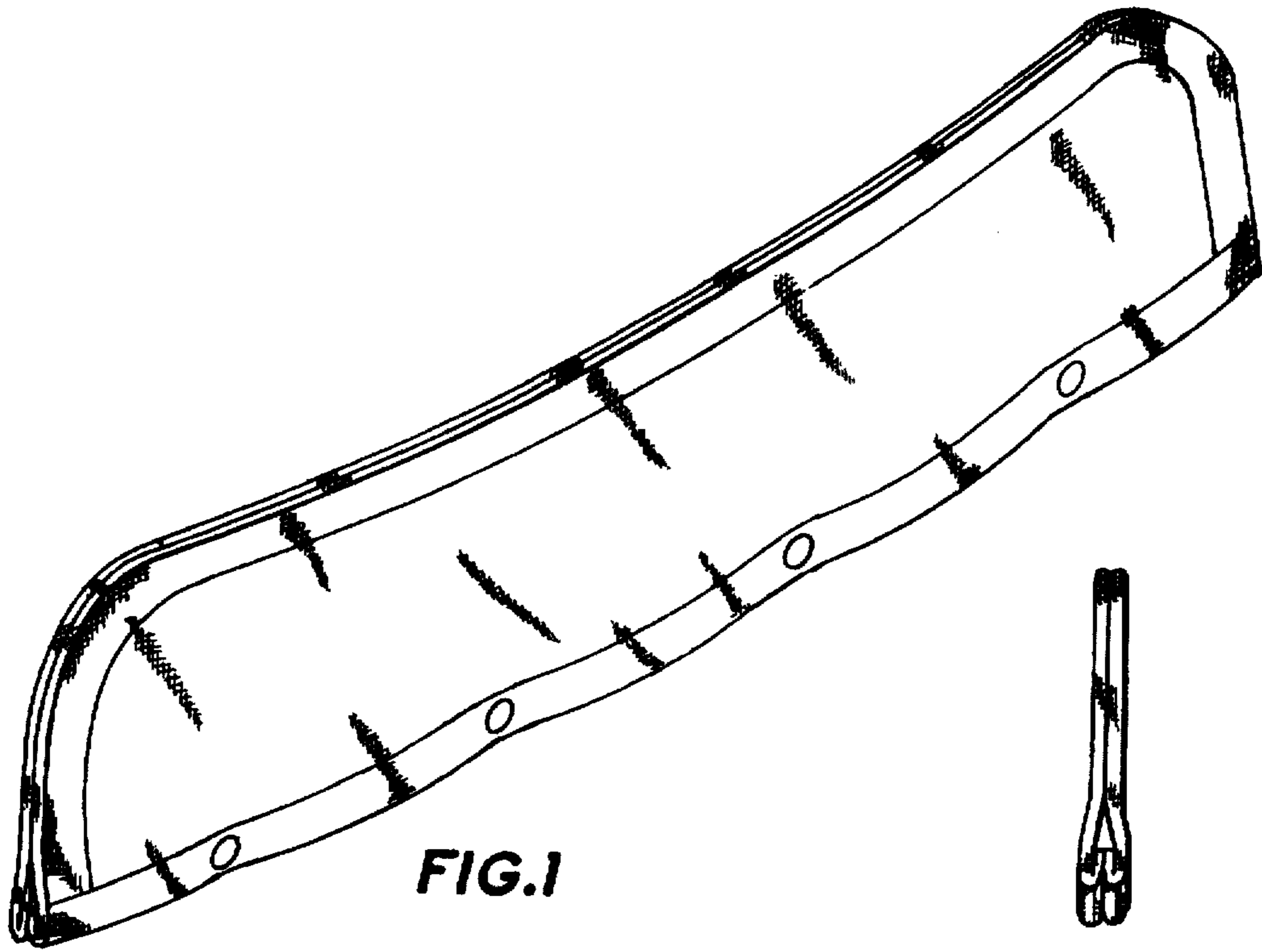


FIG.1



FIG.2

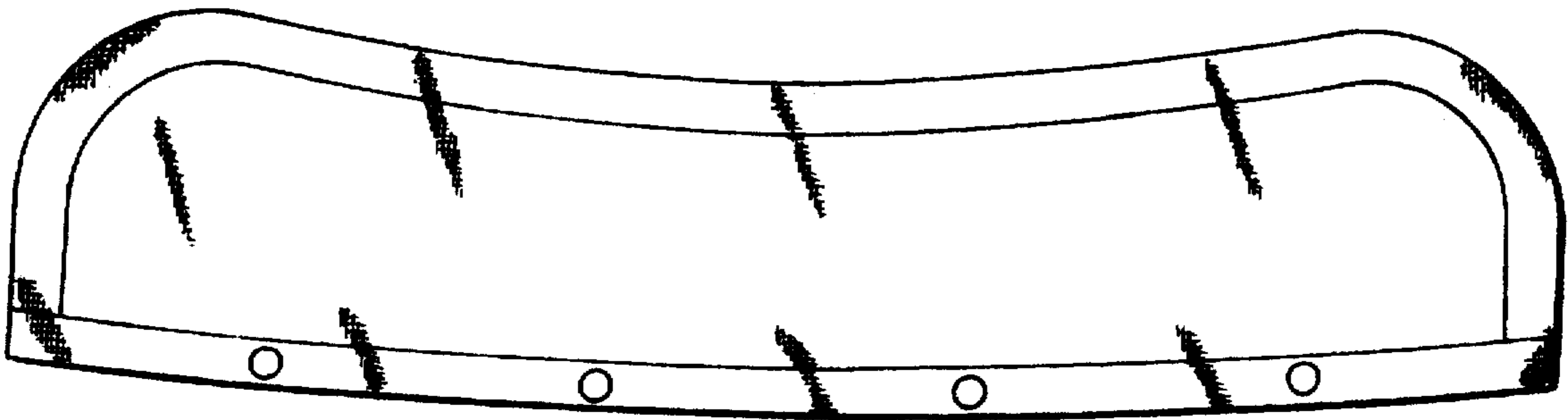


FIG.3

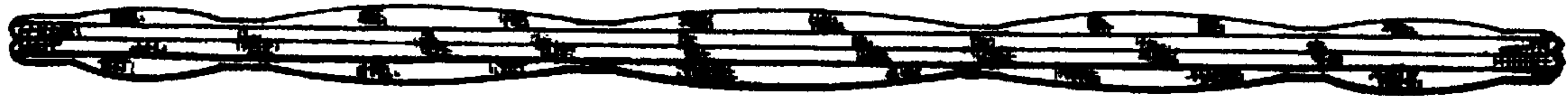


FIG.4



FIG.5

