



US00D387795S

United States Patent [19] Sakamoto

[11] Patent Number: **Des. 387,795**

[45] Date of Patent: ****Dec. 16, 1997**

[54] **VIDEO PROJECTOR**

[75] Inventor: **Harumi Sakamoto, Tochigi-ken, Japan**

[73] Assignee: **Sharp Kabushiki Kaisha, Osaka, Japan**

[**] Term: **14 Years**

[21] Appl. No.: **65,424**

[22] Filed: **Jan. 17, 1997**

[30] **Foreign Application Priority Data**

Jul. 18, 1996 [JP] Japan 8-21746

[51] LOC (6) Cl. **16-02**

[52] U.S. Cl. **D16/231; D16/221**

[58] Field of Search **D16/200-205,
D16/208, 213, 221, 225, 230, 231, 234;
D21/110; 352/29, 34, 242, 243; 353/115,
119, 122**

[56] **References Cited**

U.S. PATENT DOCUMENTS

- D. 331,768 12/1992 Saki et al. D16/225
- D. 343,849 2/1994 Miyahara et al. D16/225
- D. 343,850 2/1994 Saeki et al. D16/234
- D. 350,106 8/1994 Ina D16/234

- D. 356,103 3/1995 Saeki et al. D16/221
- D. 364,416 11/1995 Saeki et al. D16/231
- D. 365,587 12/1995 Saeki et al. D16/234
- D. 371,148 6/1996 Kobayashi D16/221
- 3,269,793 8/1966 White, Jr. 352/29

OTHER PUBLICATIONS

Sharp Catalog, p. 7 Aug. 1993.

Primary Examiner—Philip S. Hyder
Assistant Examiner—Adir Aronovich
Attorney, Agent, or Firm—Nixon & Vanderhye

[57] **CLAIM**

The ornamental design for a video projector, as shown and described.

DESCRIPTION

FIG. 1 is a top, front and right side perspective view of a video projector according to my design;
FIG. 2 is an enlarged top plan view thereof;
FIG. 3 is a front elevational view thereof;
FIG. 4 is a right side elevational view thereof;
FIG. 5 is a rear elevational view thereof;
FIG. 6 is a left side elevational view thereof; and,
FIG. 7 is a bottom plan view thereof.

1 Claim, 5 Drawing Sheets

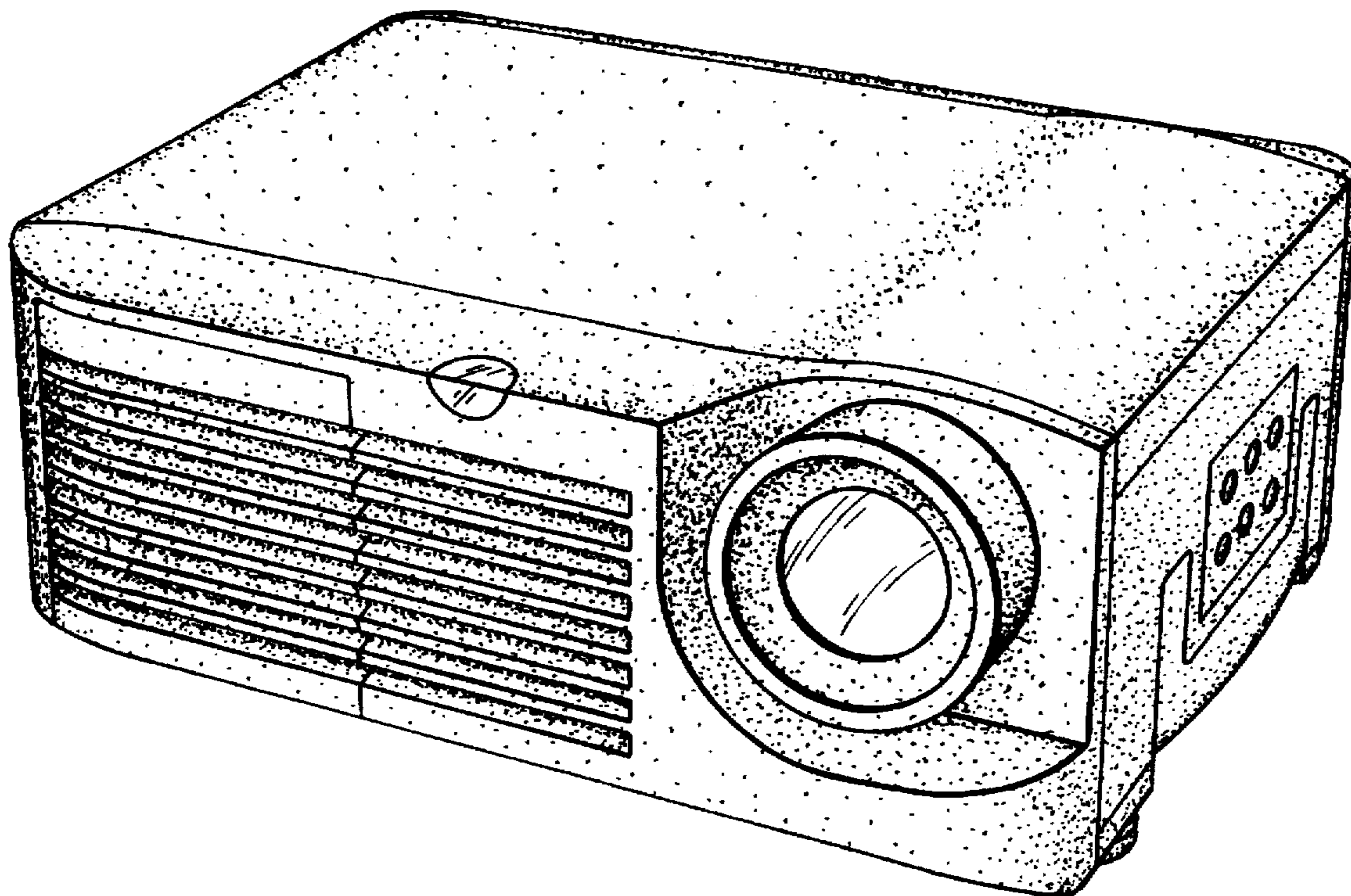


FIG. 1

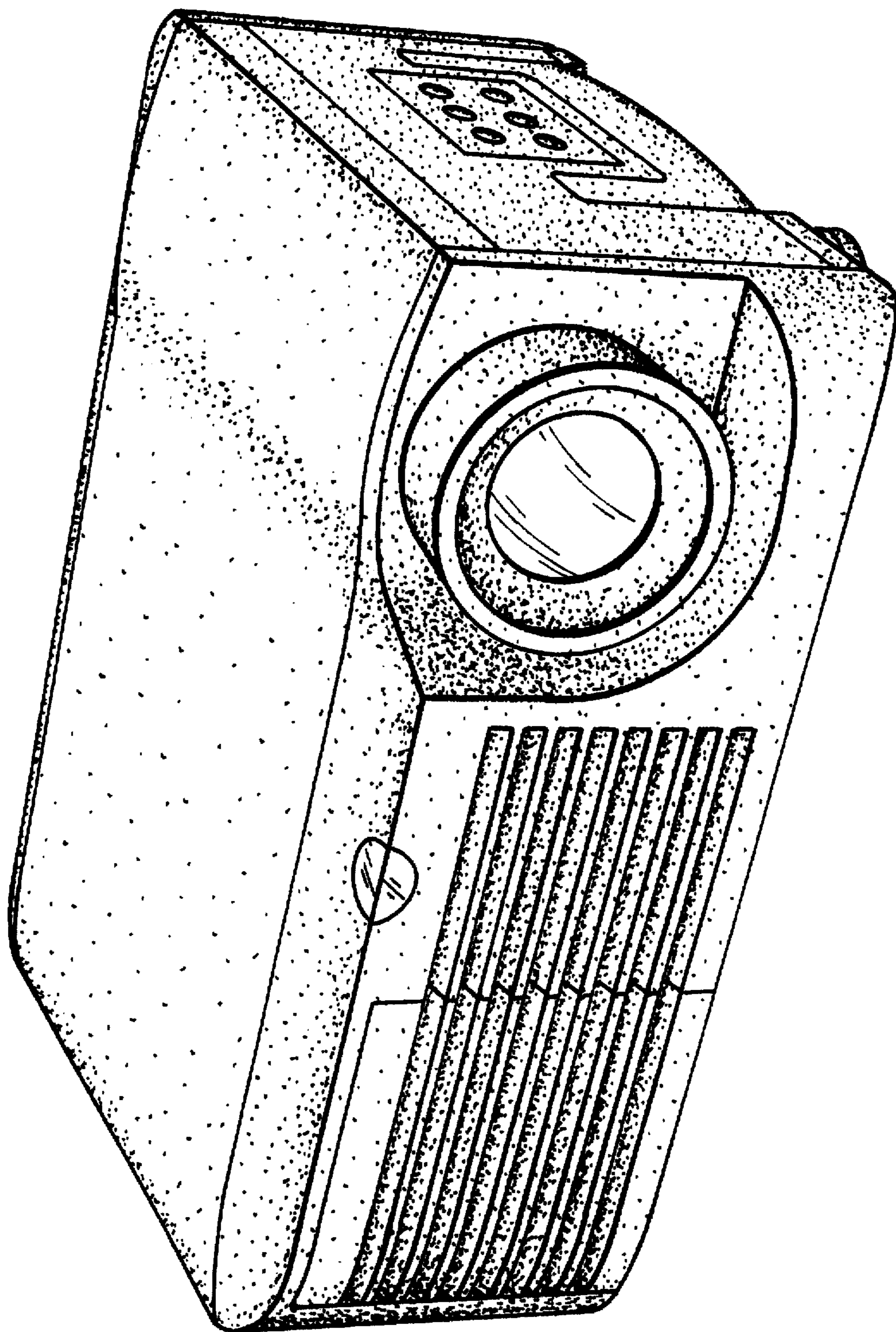
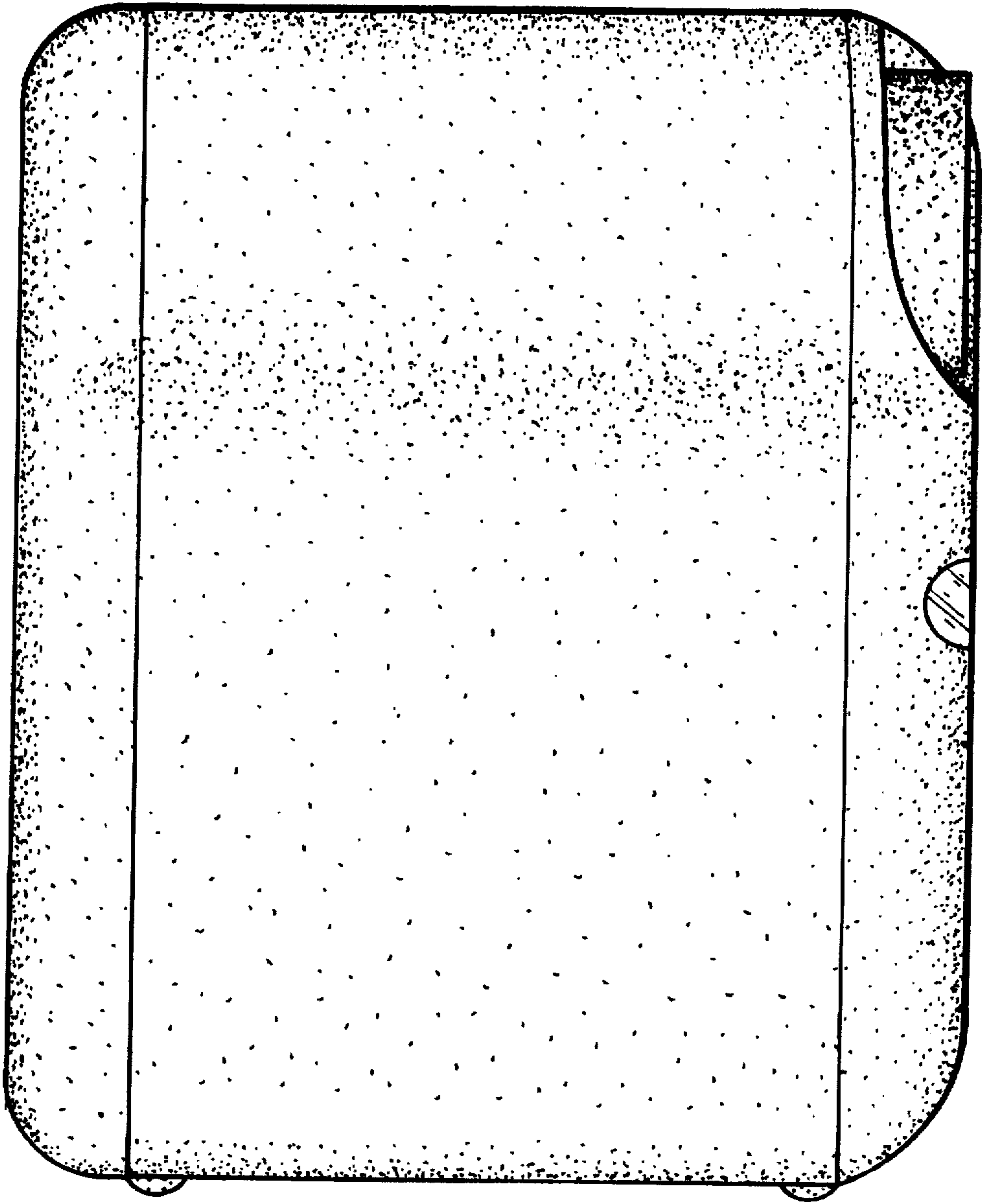


FIG. 2



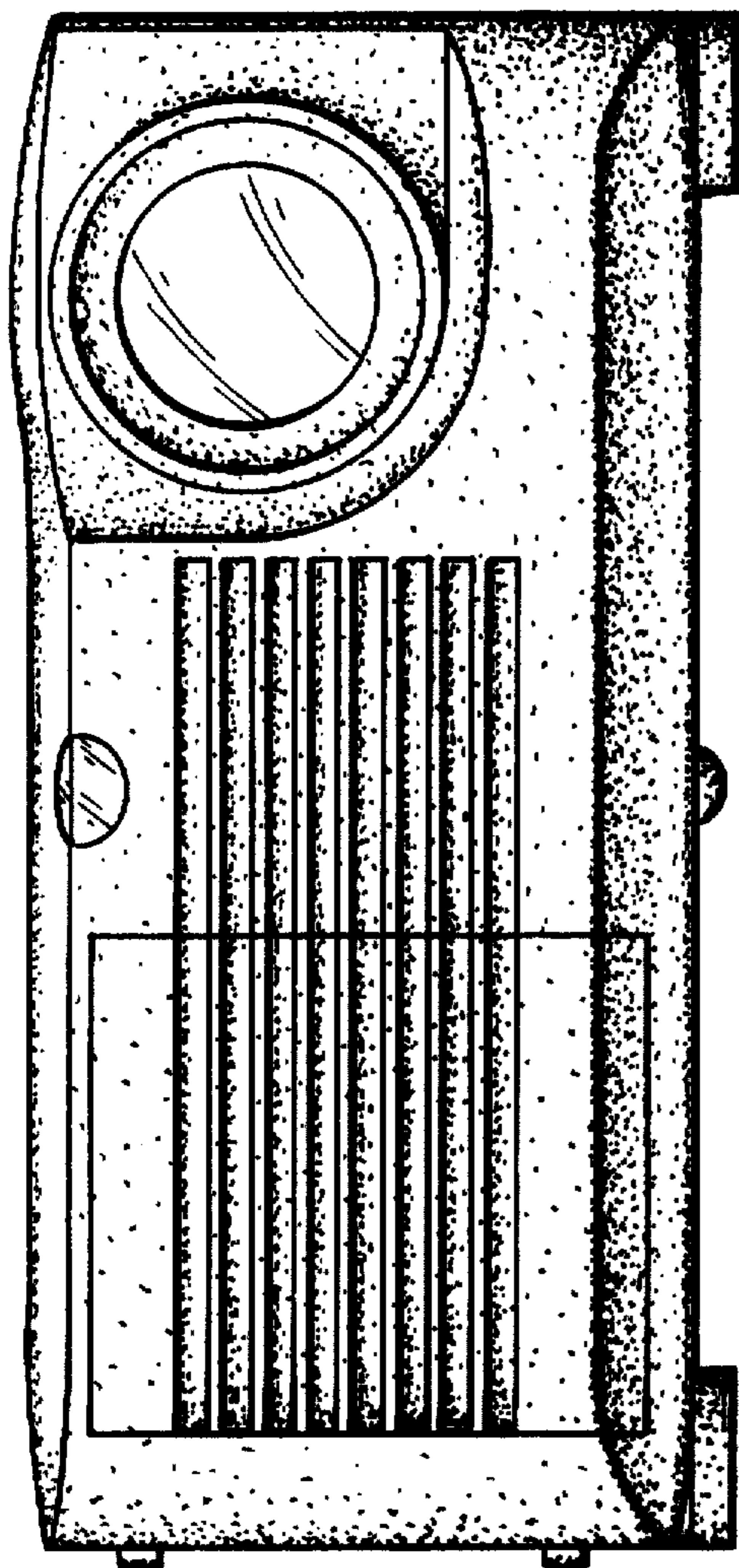


FIG. 3

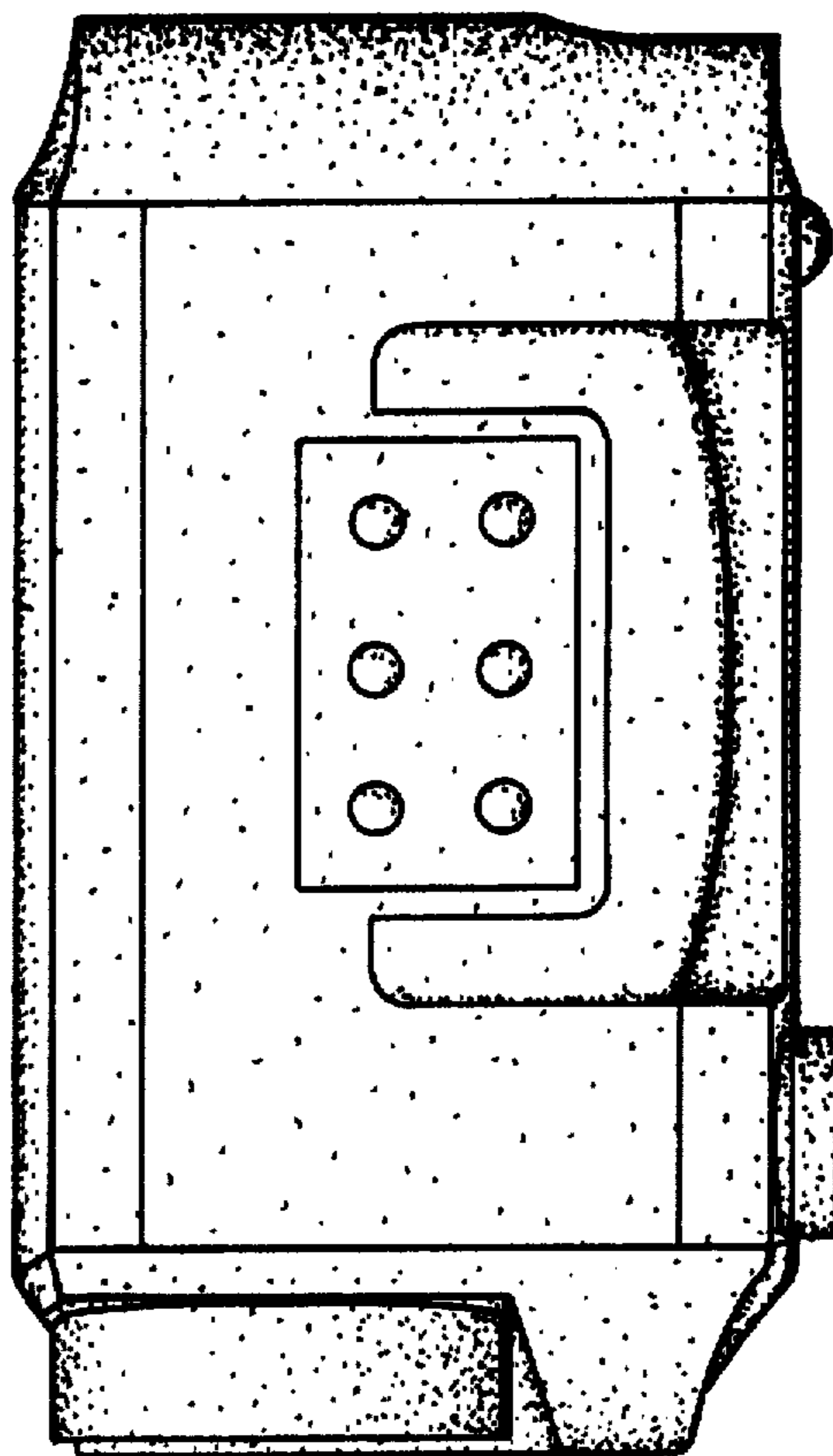


FIG. 4

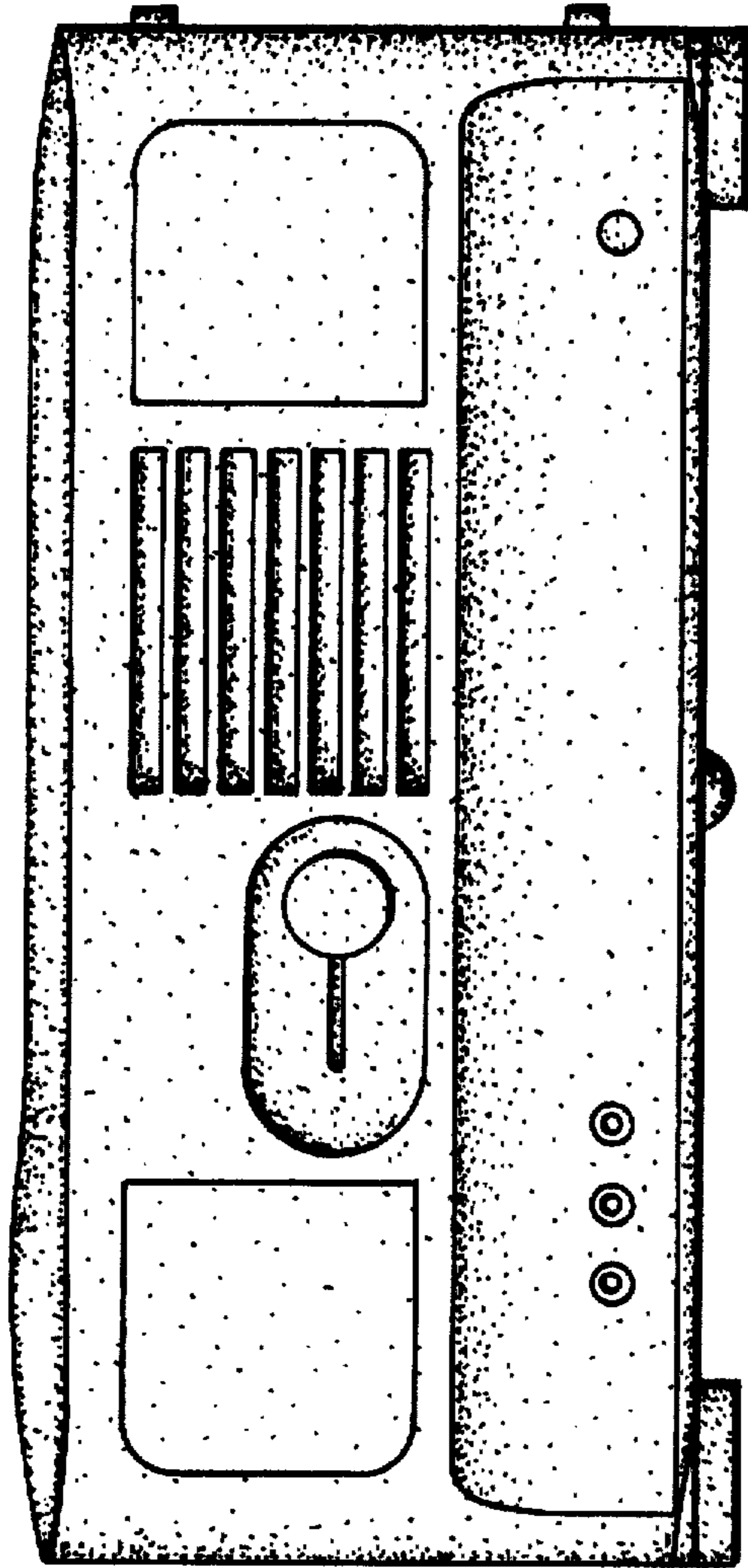


FIG. 5

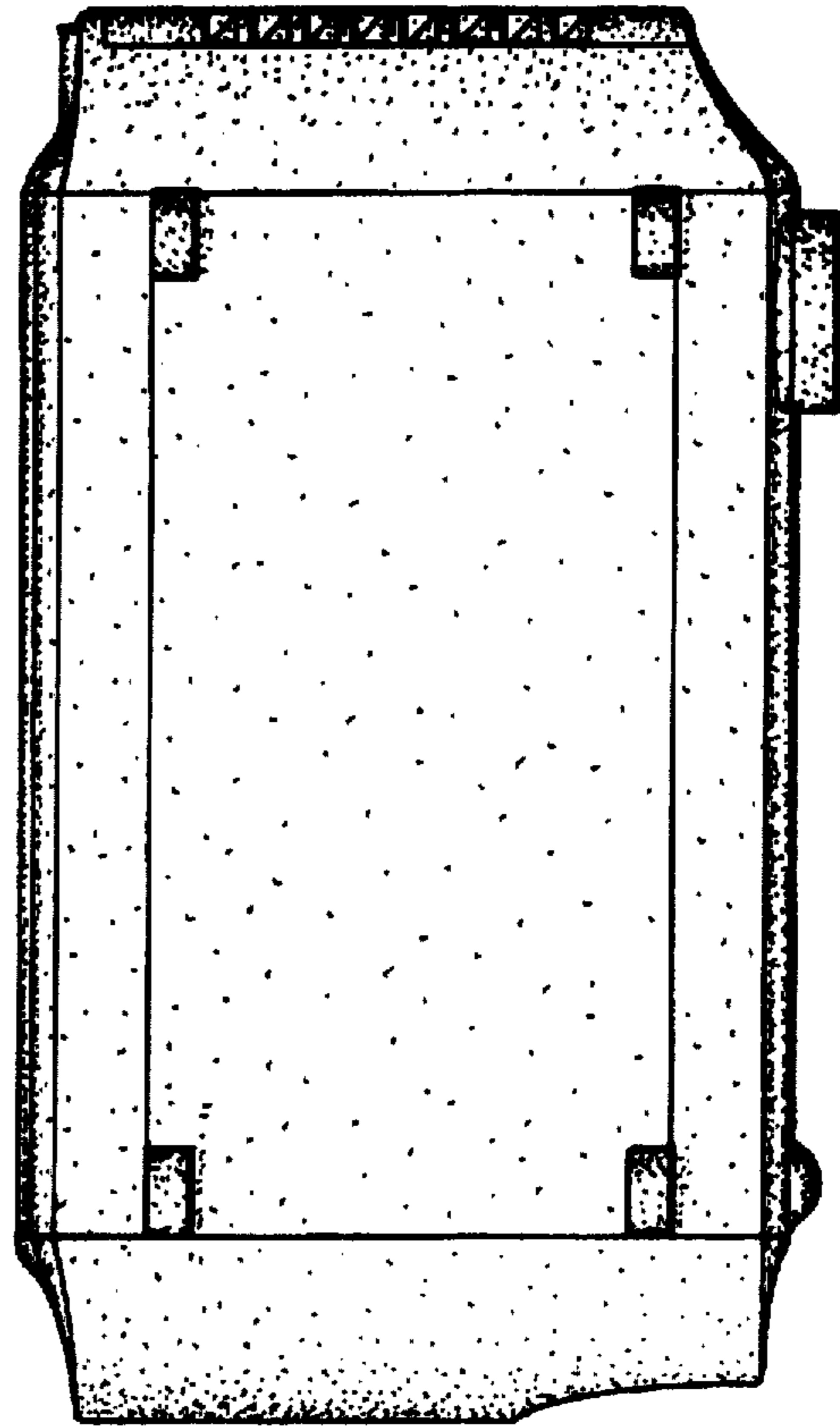


FIG. 6

FIG. 7

