



US00D387791S

**United States Patent** [19]  
**Wen**

[11] **Patent Number: Des. 387,791**

[45] **Date of Patent: \*\*Dec. 16, 1997**

[54] **SWIVEL BRACKET FOR A CAMERA**

[75] **Inventor: Tien-chi Wen, Taipei Hsien, Taiwan**

[73] **Assignee: Fifty Cycle Video Laser Device, Co., Ltd., Taipei Hsien, Taiwan**

[\*\*] **Term: 14 Years**

[21] **Appl. No.: 55,437**

[22] **Filed: Jun. 5, 1996**

[51] **LOC (6) Cl. .... 16-05**

[52] **U.S. Cl. .... D16/242**

[58] **Field of Search .... D16/242, 243, D16/237, 244, 245; 248/177.1, 98, 288.3, 289.11, 291.1; 396/427, 428, 419**

[56] **References Cited**

**U.S. PATENT DOCUMENTS**

D. 311,198	10/1990	Kosugi	.....	D16/243
D. 344,970	3/1994	Hanke	.....	D16/245
2,990,204	6/1961	Golden	.....	248/291.1
3,782,671	1/1974	Igwe	.....	396/419
3,833,196	9/1974	Protzman	.....	396/428
4,826,187	5/1989	Abbott et al.	.....	248/98

*Primary Examiner*—Philip S. Hyder

*Assistant Examiner*—Adir Aronovich

*Attorney, Agent, or Firm*—Morton J. Rosenberg; David I. Klein

[57] **CLAIM**

The ornamental design for a swivel bracket for a camera, as shown and described.

**DESCRIPTION**

FIG. 1 is a perspective view from the front, top and left side of a swivel bracket for a camera showing my new design; FIG. 2 is a front elevational view thereof (the rear side being a mirror image thereof);

FIG. 3 is a left side elevational view thereof (the right side being a mirror image thereof);

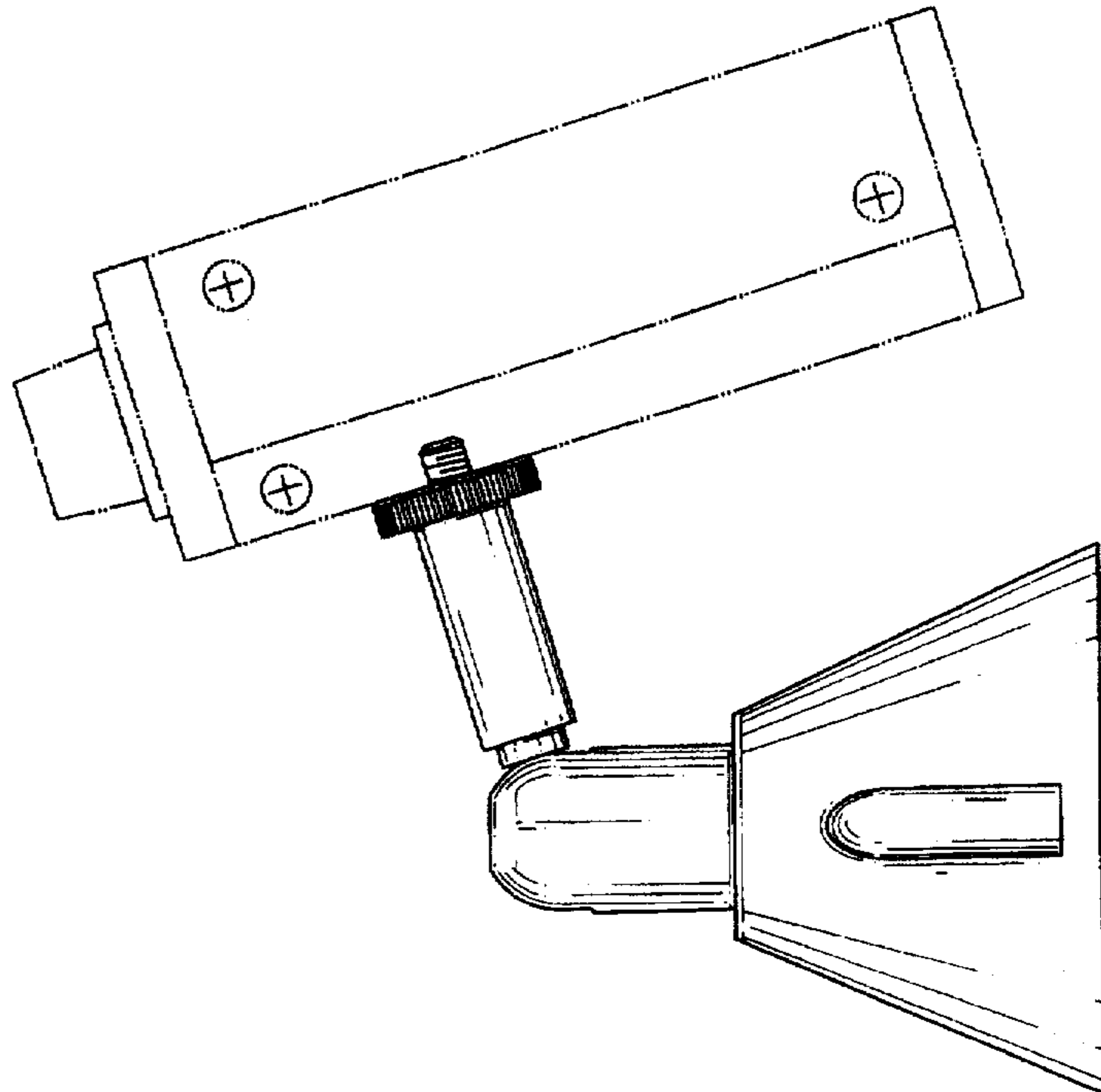
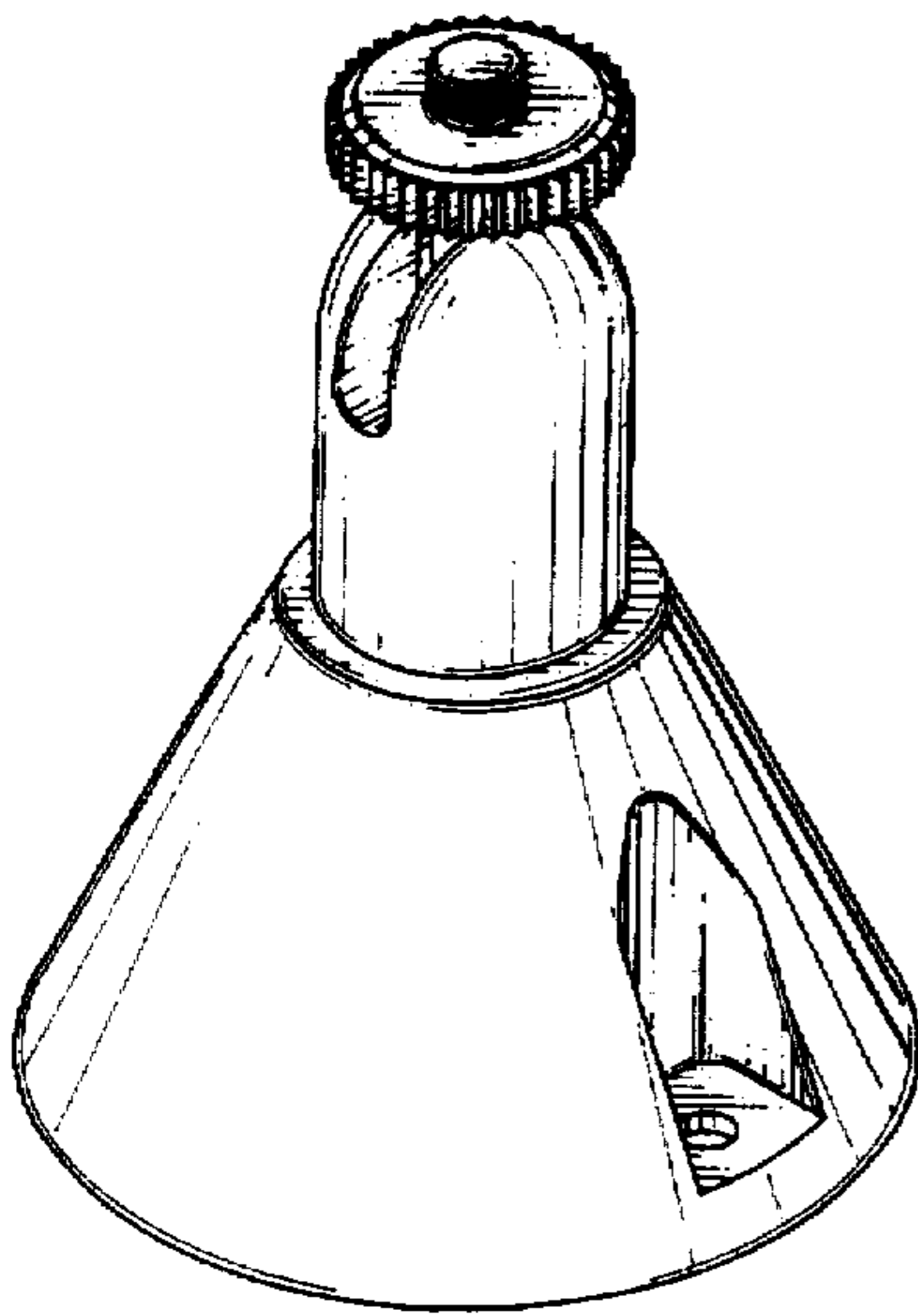
FIG. 4 is a top plane view thereof;

FIG. 5 is a front elevational view thereof, the mount portion shown in an alternate position; and,

FIG. 6 is a front elevational view of a second embodiment of a swivel bracket for a camera.

The broken lines shown in FIGS. 5 and 6 are for illustrative purposes only and form no part of the claimed design.

**1 Claim, 4 Drawing Sheets**



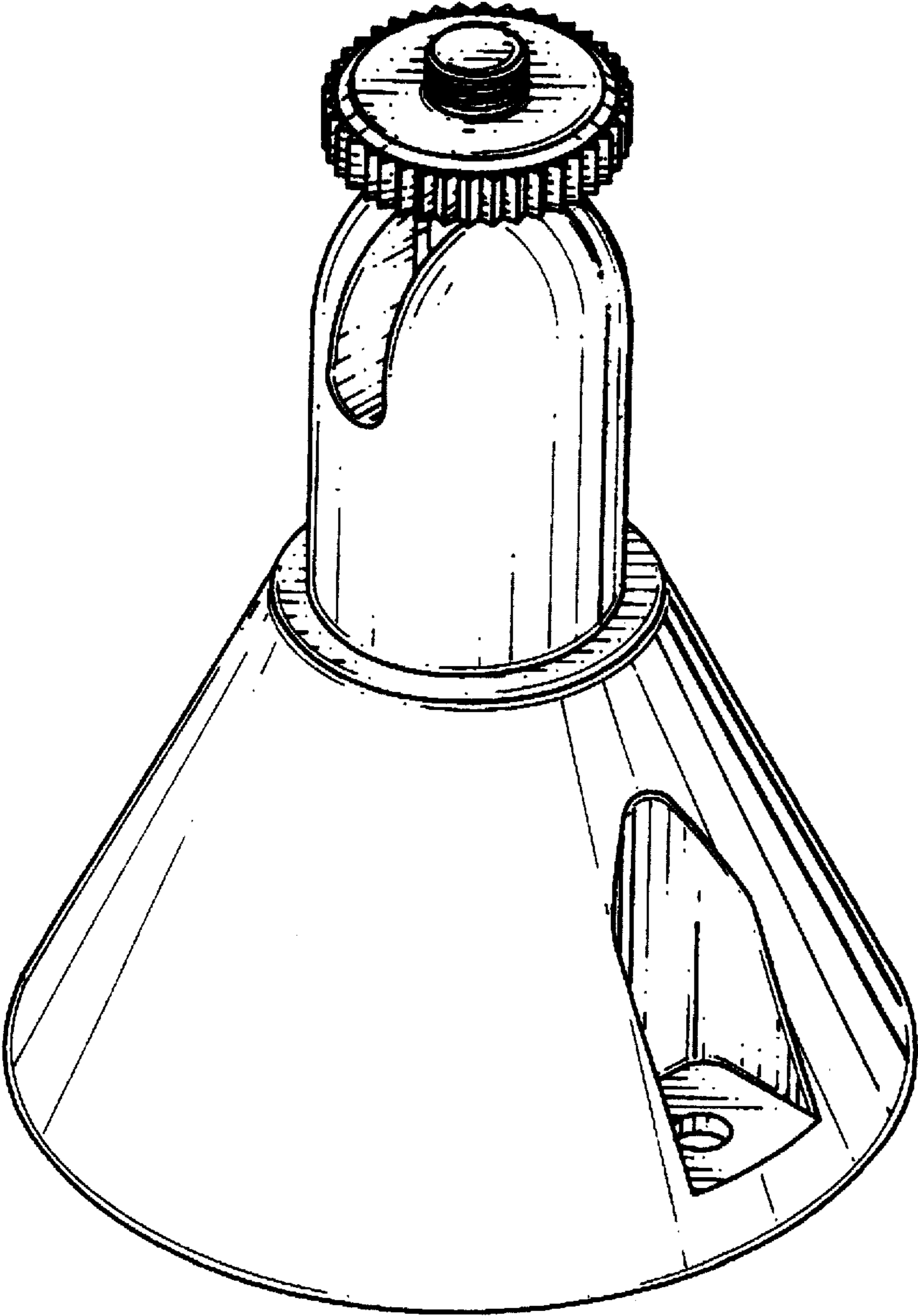


FIG. 1

FIG. 4

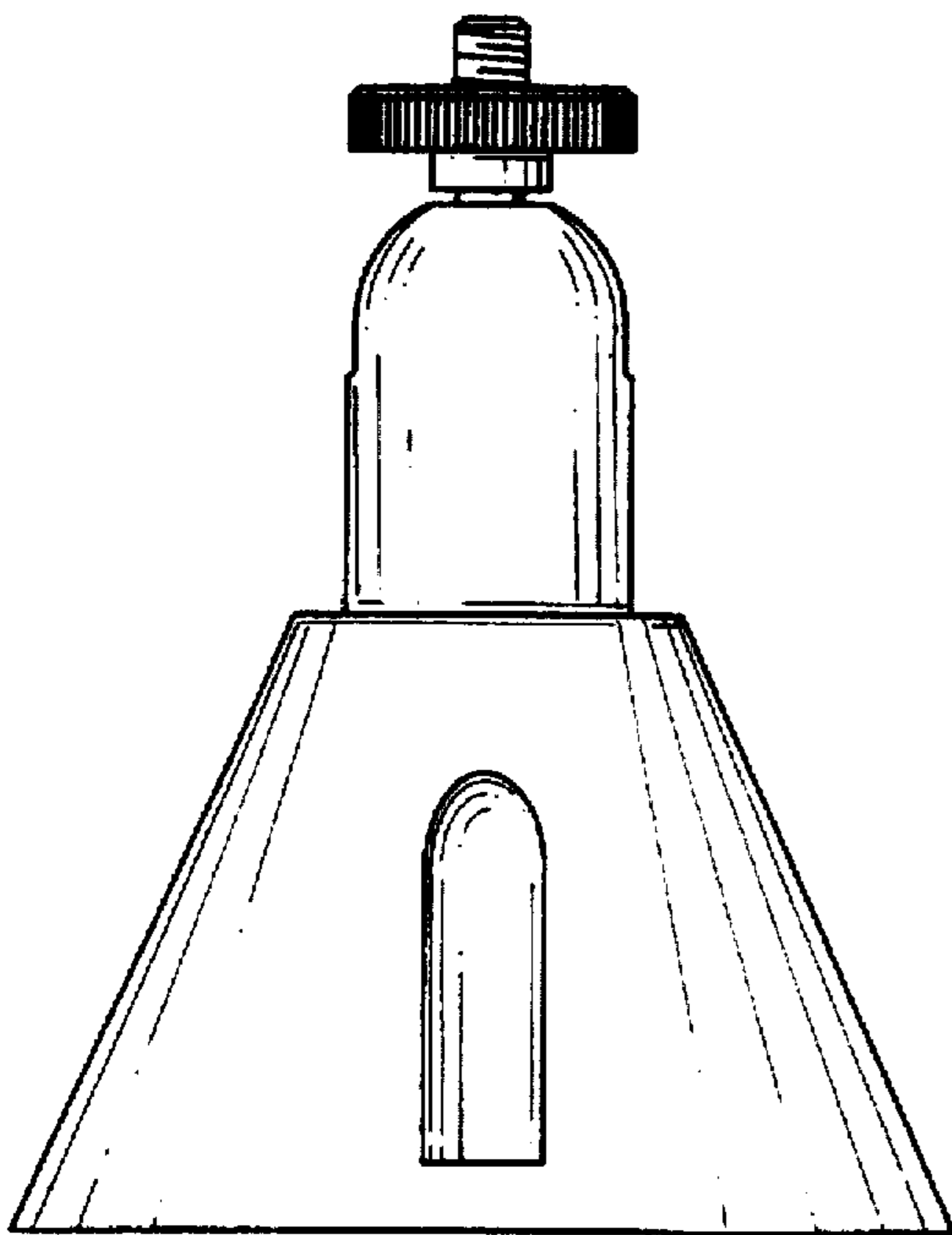
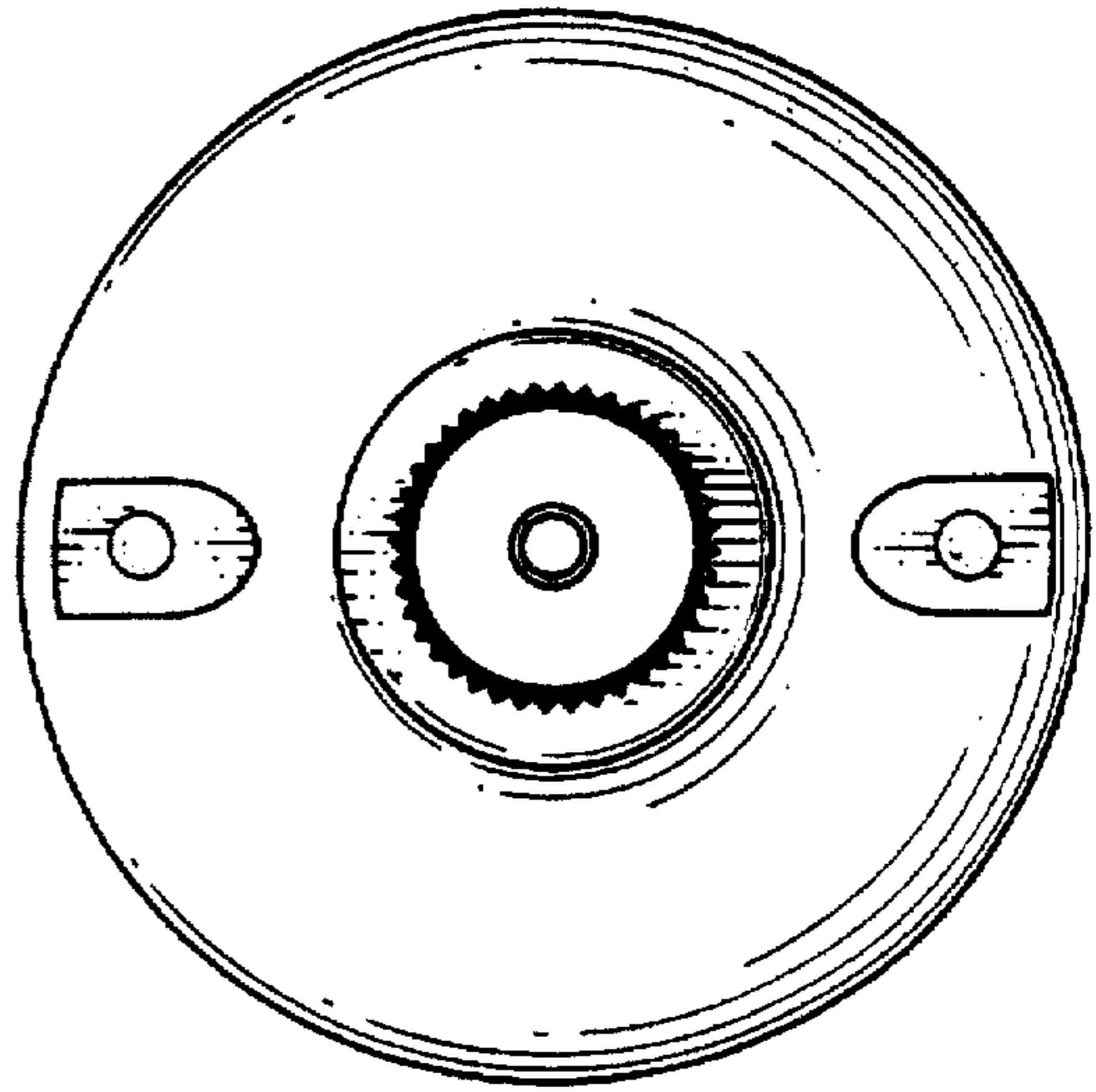


FIG. 2

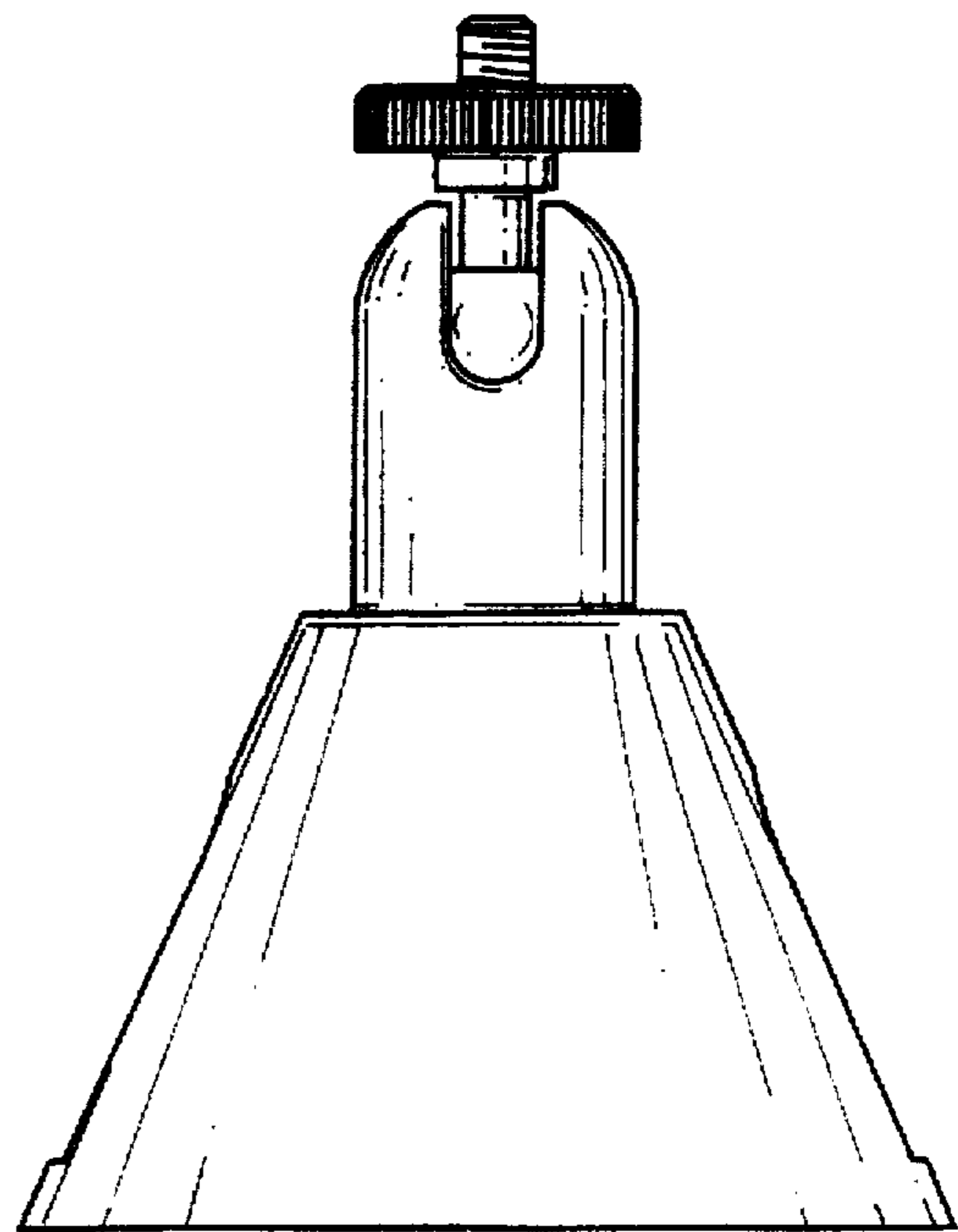


FIG. 3

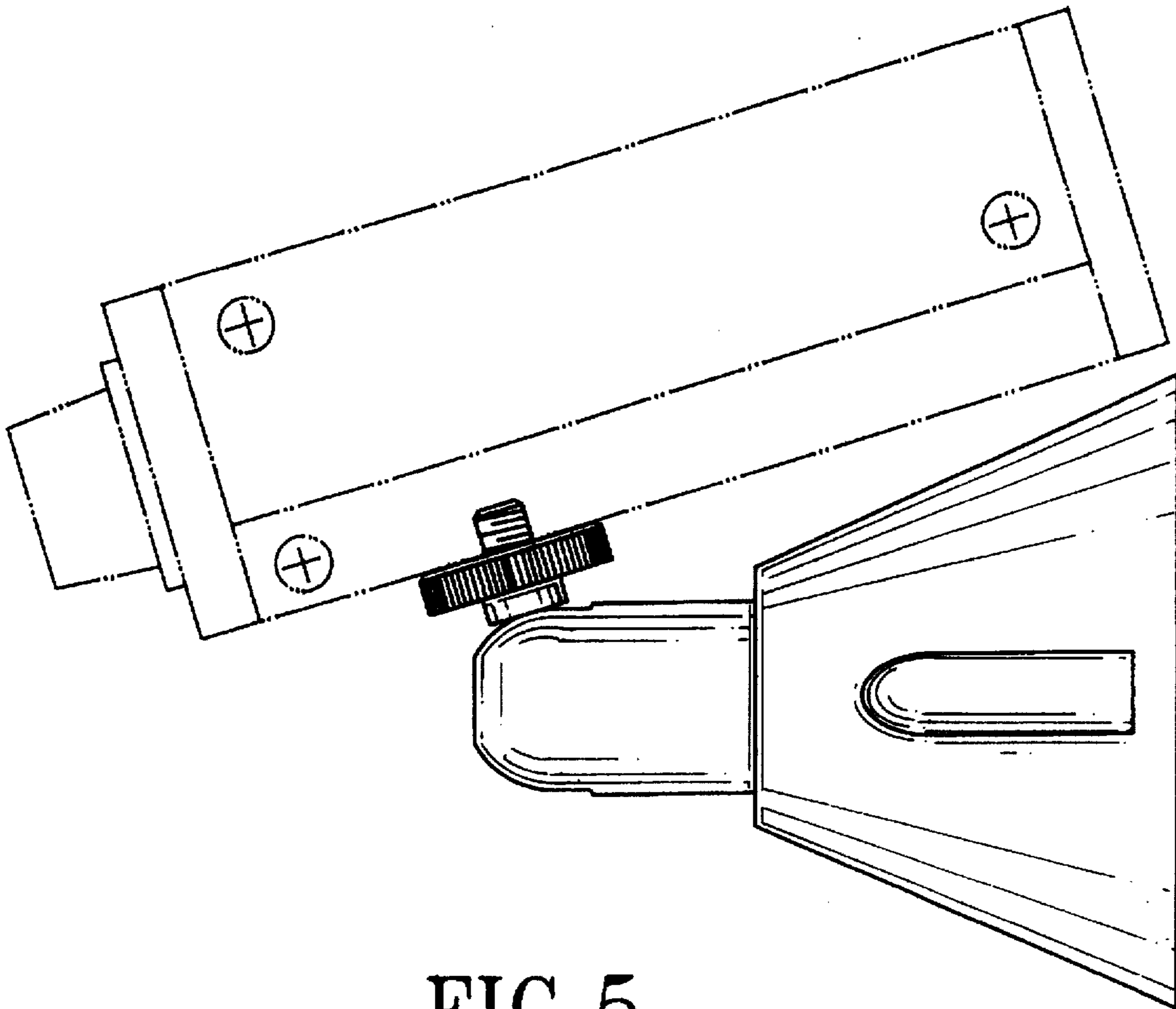


FIG.5

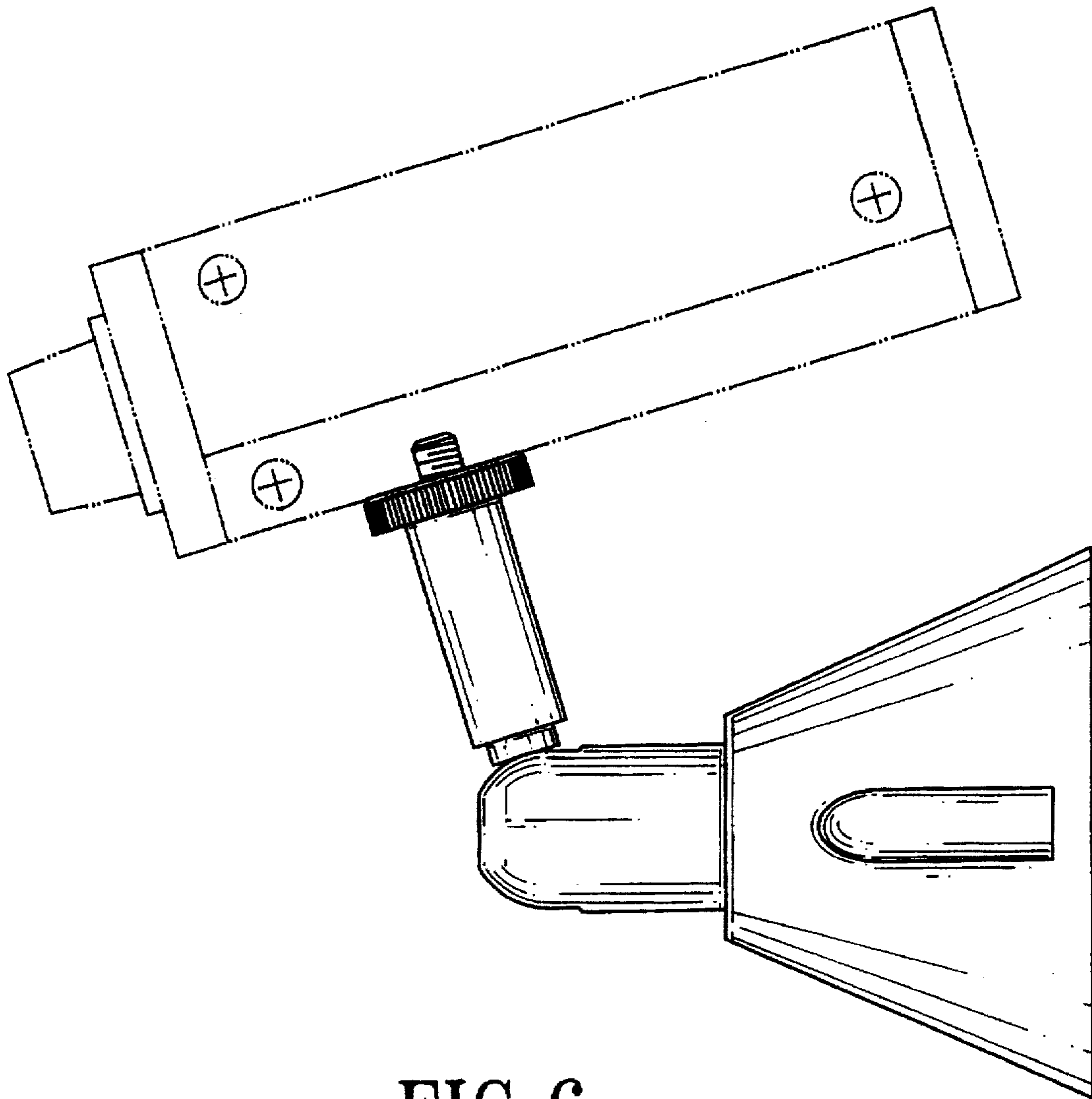


FIG. 6