



US00D387789S

# United States Patent [19]

Sumida et al.

[11] Patent Number: **Des. 387,789**

[45] Date of Patent: **\*\*Dec. 16, 1997**

[54] **DIGITAL CAMERA**

[75] Inventors: **Kazuyuki Sumida; Noriko Takayanagi**, both of Tokyo, Japan

[73] Assignee: **NEC Corporation**, Tokyo, Japan

[\*\*] Term: **14 Years**

[21] Appl. No.: **63,861**

[22] Filed: **Dec. 17, 1996**

[30] **Foreign Application Priority Data**

Jun. 18, 1996 [JP] Japan ..... 818086

[51] **LOC (6) Cl.** ..... **16-01**

[52] **U.S. Cl.** ..... **D16/202; D16/203**

[58] **Field of Search** ..... **D14/107, 130; D16/200-206; 348/143, 207, 14-20, 373-376; 358/906, 909.1; 379/53; 396/29, 419, 535-543**

[56] **References Cited**

**U.S. PATENT DOCUMENTS**

D. 315,742 3/1991 Matsumoto ..... D16/205  
D. 355,920 2/1995 Shinano ..... D16/202

D. 357,929 5/1995 Pierce ..... D16/202  
D. 367,488 2/1996 Takano et al. .... D16/202  
D. 374,023 9/1996 Beck et al. .... D16/202

**OTHER PUBLICATIONS**

Harris Corp Catalog, 1990, Cover page.

*Primary Examiner*—Philip S. Hyder

*Assistant Examiner*—Adir Aronovich

*Attorney, Agent, or Firm*—Sughrue, Mion, Zinn, Macpeak & Seas, PLLC

[57] **CLAIM**

The ornamental design for a digital camera, as shown.

**DESCRIPTION**

FIG. 1 is a perspective view of the top, front and right side of a digital camera showing our new design; FIG. 2 is a front elevational view thereof; FIG. 3 is a rear elevational view thereof; FIG. 4 is a right side elevational view thereof; FIG. 5 is a left side elevational view thereof; FIG. 6 is a top plan view thereof; and, FIG. 7 is a bottom plan view thereof.

**1 Claim, 4 Drawing Sheets**

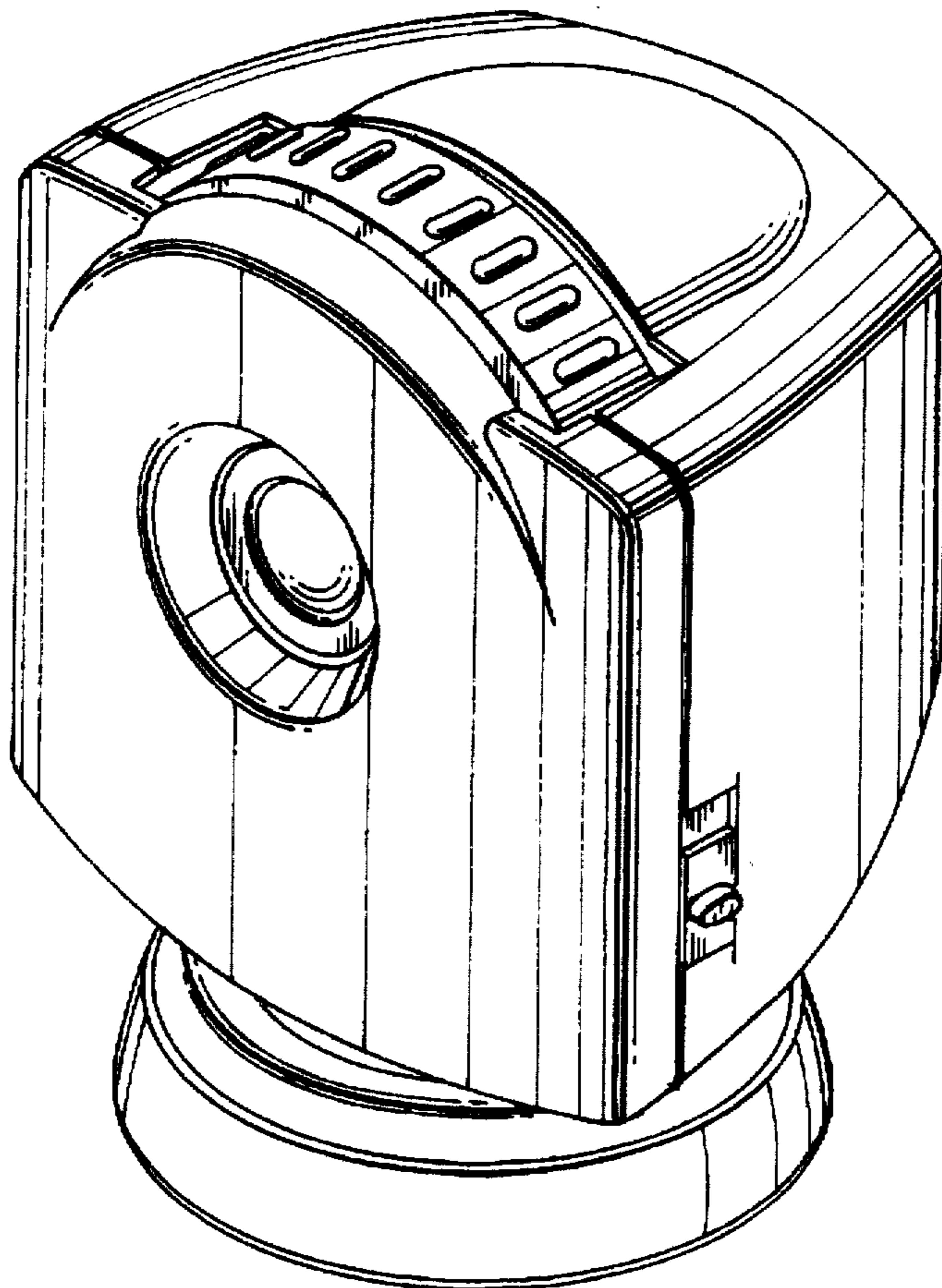


FIG. 1

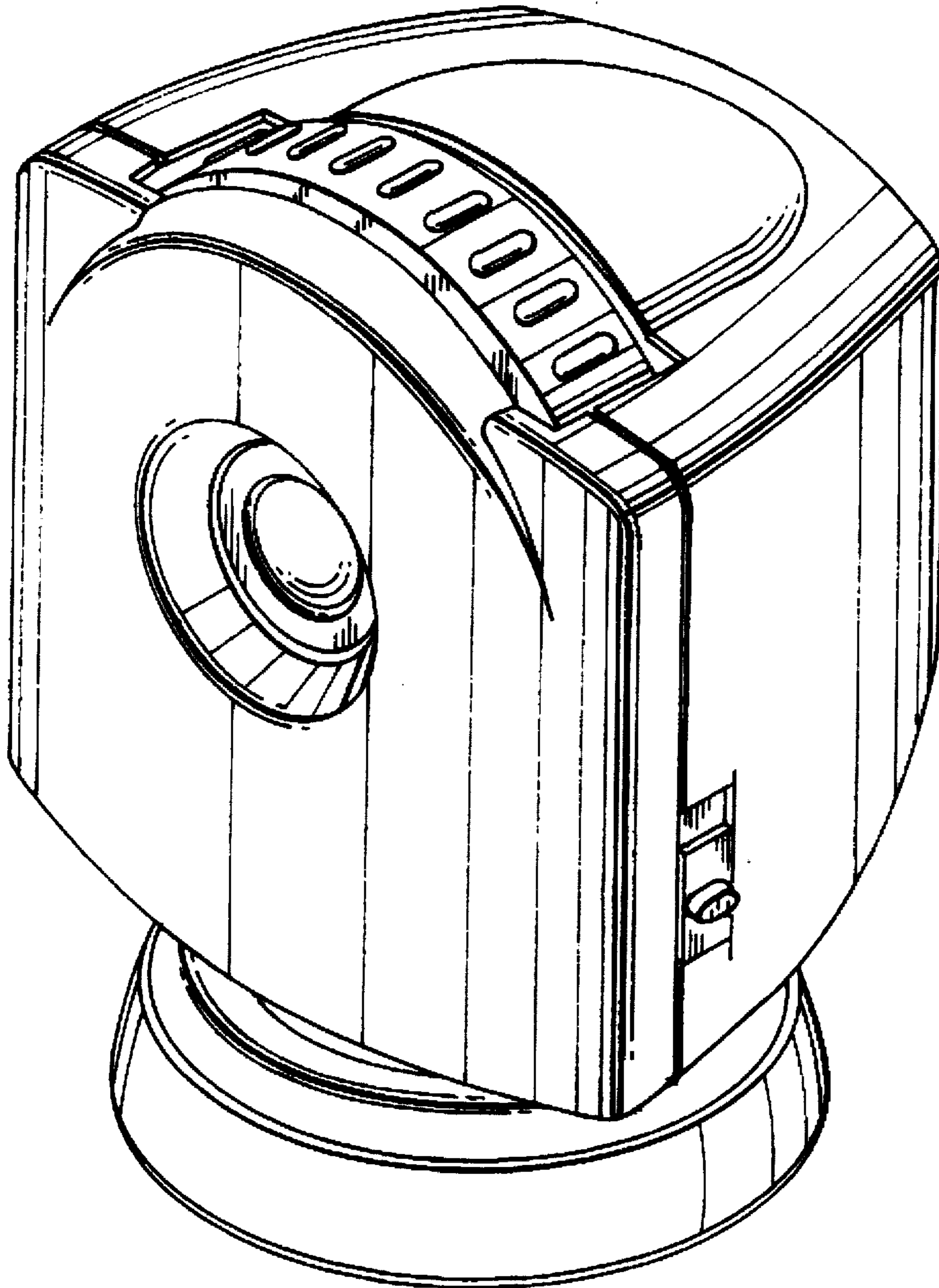


FIG. 2

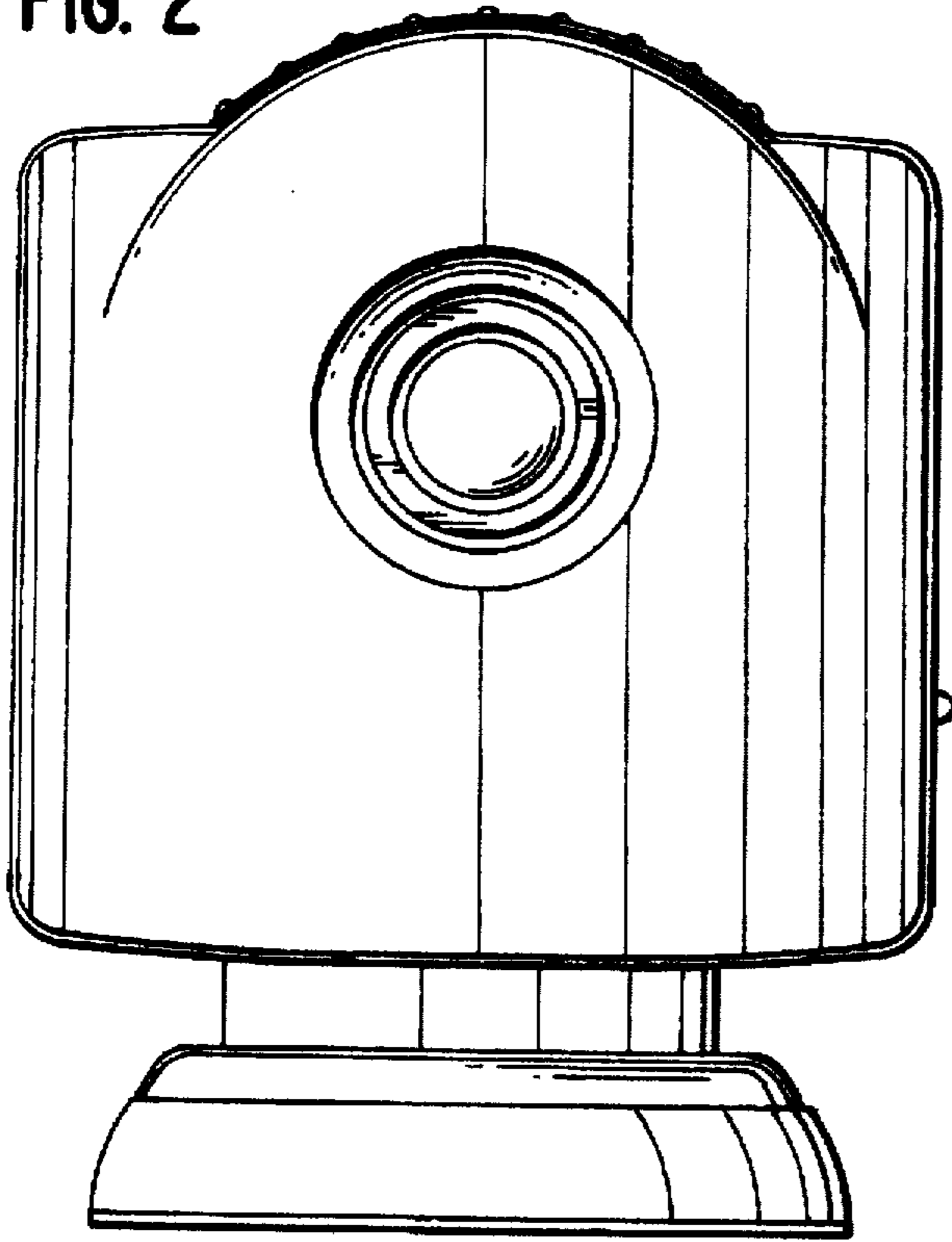


FIG. 3

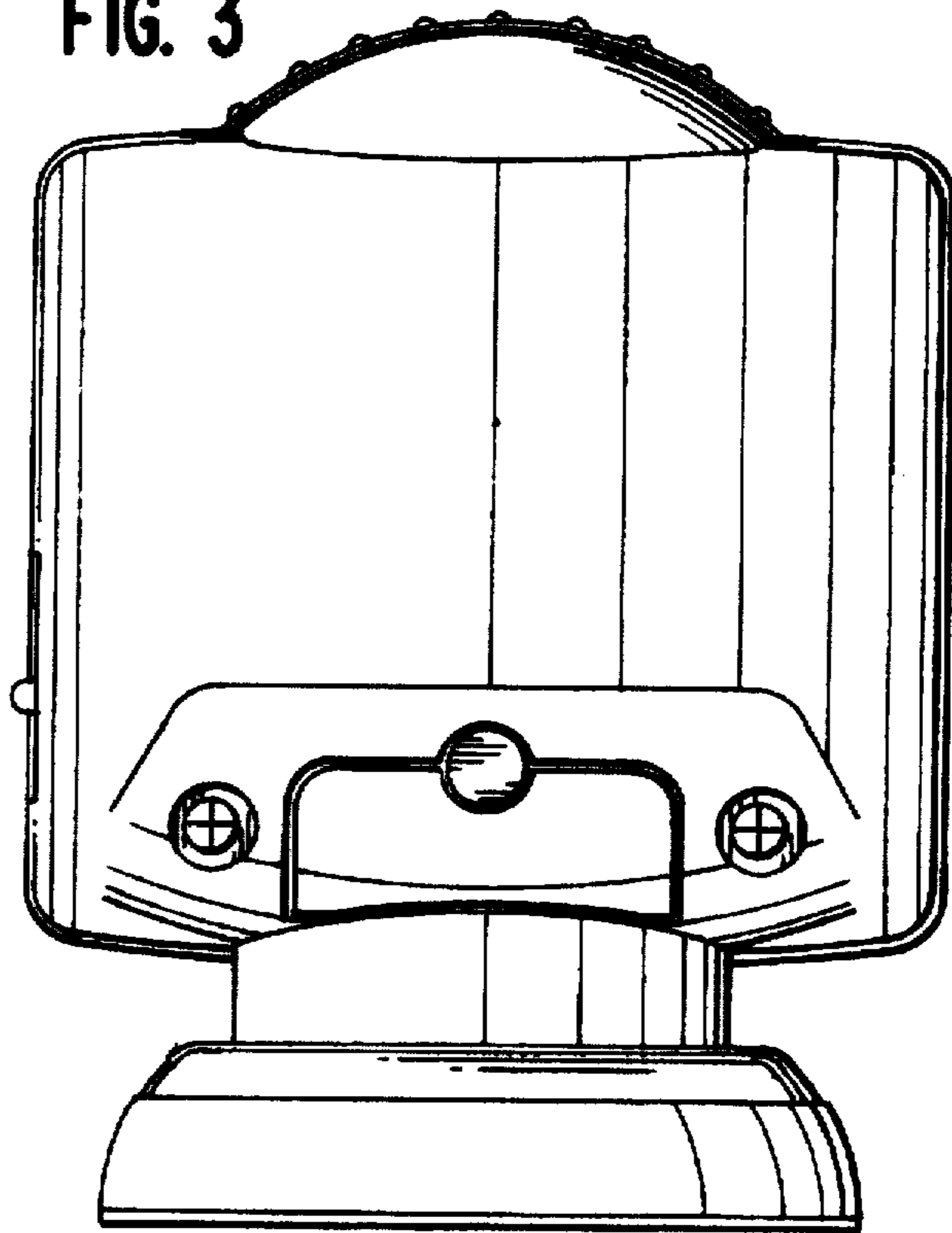


FIG. 4

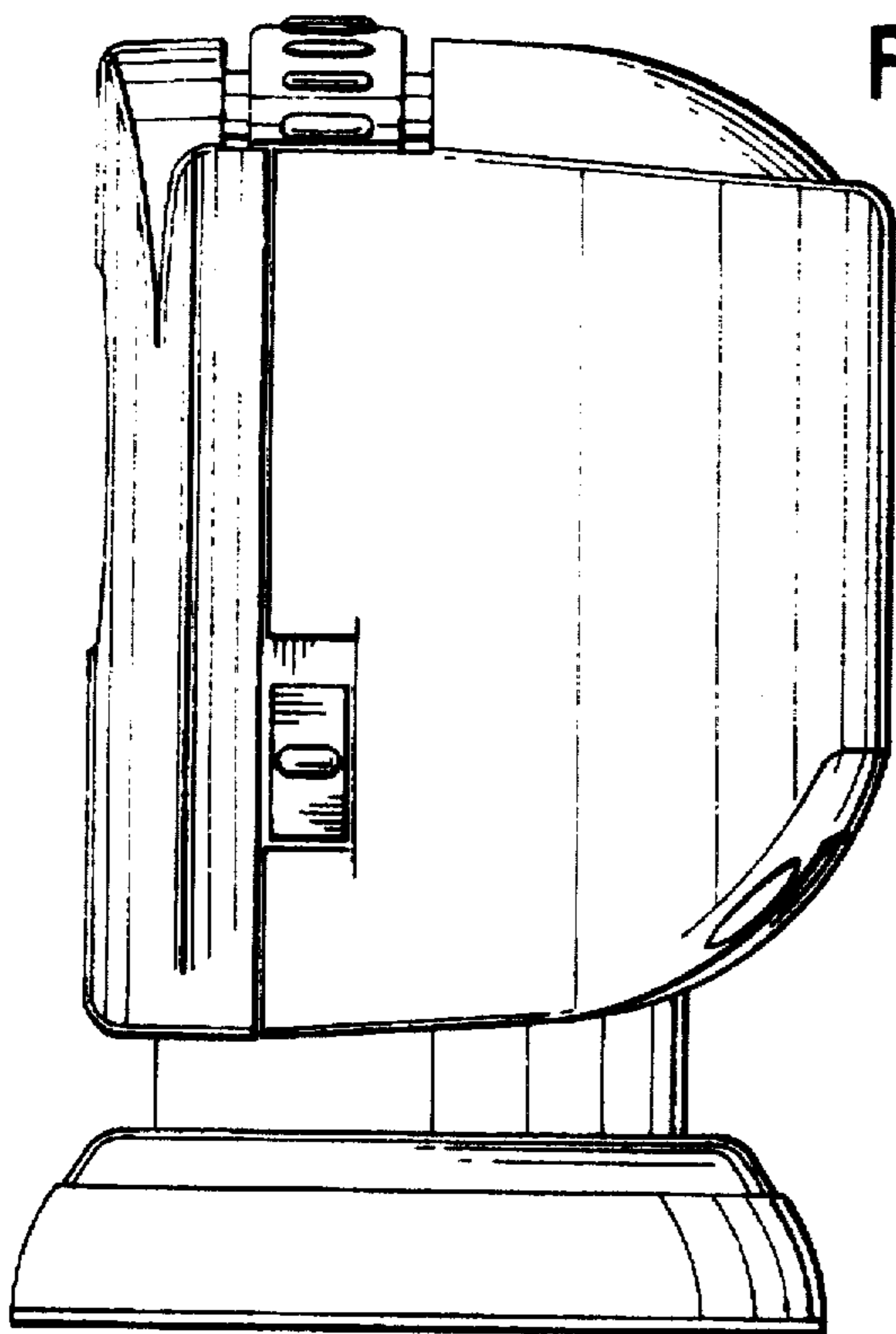


FIG. 5

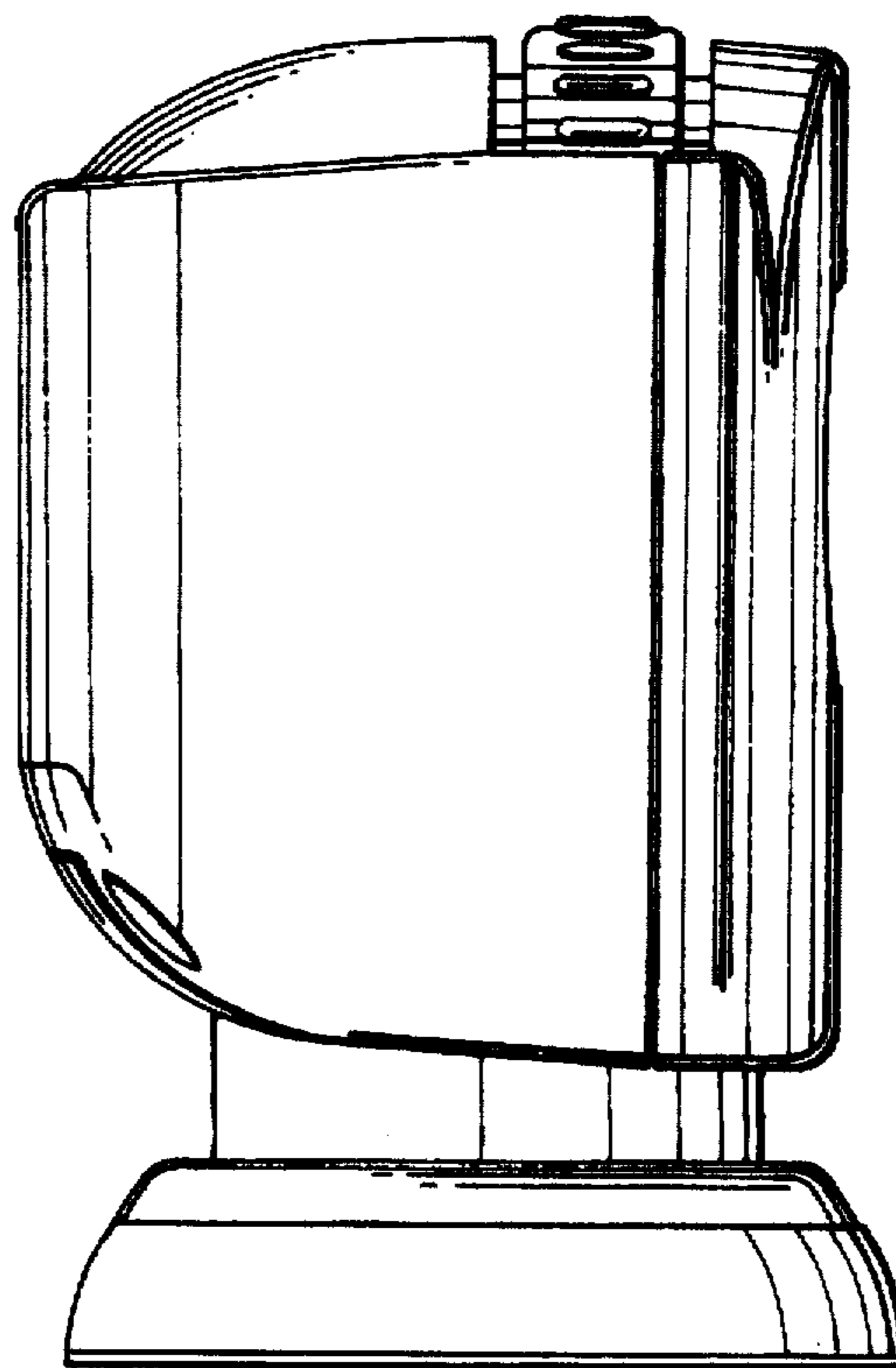


FIG. 6

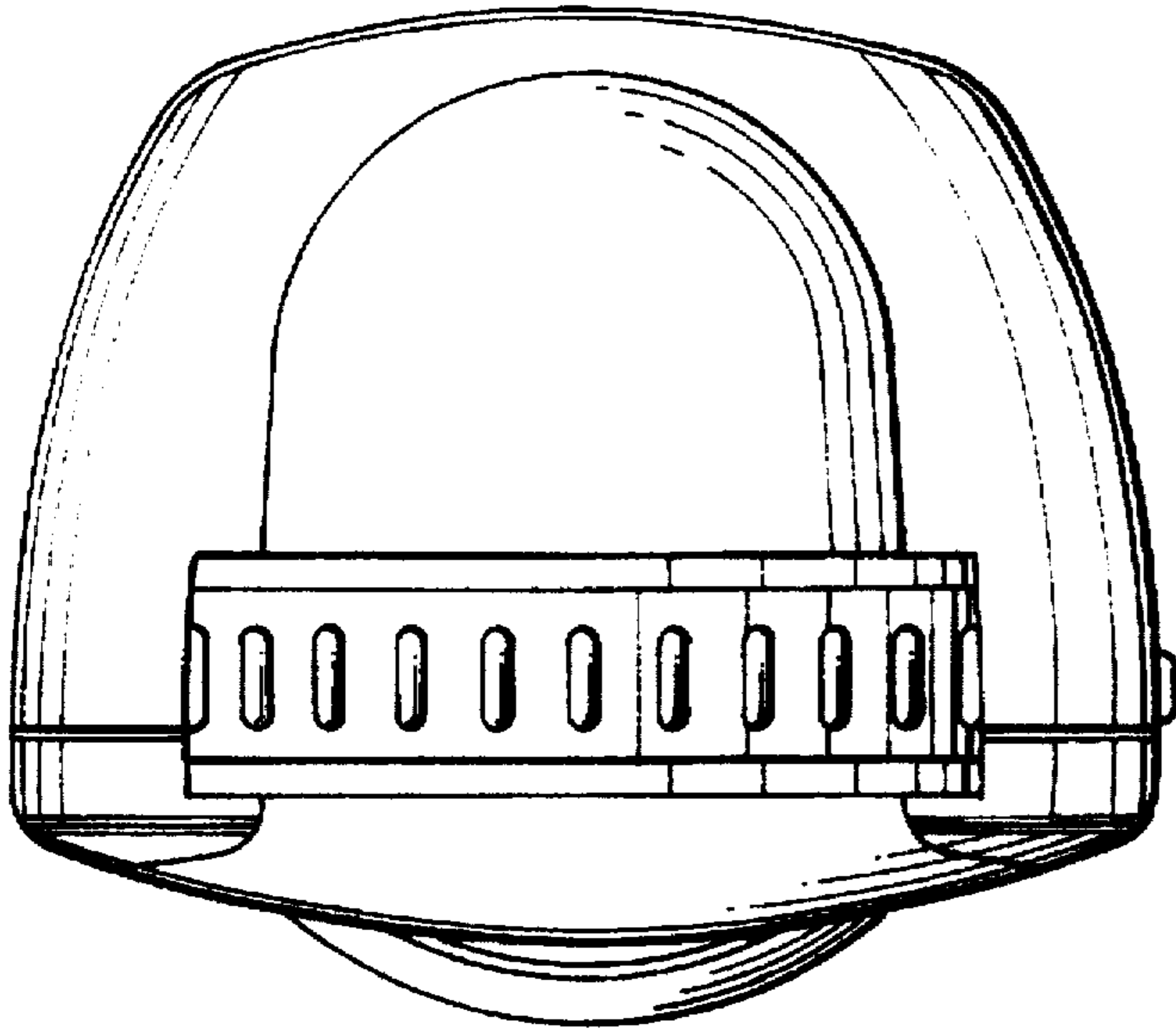


FIG. 7

