



US00D387787S

**United States Patent** [19]  
**Palmer**

[11] **Patent Number: Des. 387,787**  
[45] **Date of Patent: \*\*Dec. 16, 1997**

[54] **COUPLING ADAPTOR RING FOR A NIGHT VISION DEVICE**

[75] **Inventor: Gary L. Palmer, Vinton, Va.**

[73] **Assignee: ITT Industries, Inc., White Plains, N.Y.**

[\*\*] **Term: 14 Years**

[21] **Appl. No.: 64,160**

[22] **Filed: Dec. 23, 1996**

[51] **LOC (6) Cl. .... 16-06**

[52] **U.S. Cl. .... D16/130**

[58] **Field of Search .... D16/130, 131, D16/134, 135, 136, 137; 359/353, 382, 383, 384, 399, 405, 407, 412, 413, 415, 419, 430, 480, 802, 803, 804, 805, 810, 811, 827; D26/113**

[56] **References Cited**

**U.S. PATENT DOCUMENTS**

D. 374,878	10/1996	Palmer	.....	D16/130
2,136,149	11/1938	Nuchterlein	.....	359/827
2,287,468	6/1942	Cisski	.....	D16/134 X
5,307,204	4/1994	Dor	.....	359/400
5,331,459	7/1994	Dor	.....	359/413 X

5,365,057	11/1994	Morley et al.	.....	359/400 X
5,367,402	11/1994	Holmes et al.	.....	359/400
5,455,711	10/1995	Palmer	.....	359/418 X
5,506,730	4/1996	Morley et al.	.....	359/407 X
5,604,630	2/1997	Palmer	.....	359/399 X

**OTHER PUBLICATIONS**

Yak-Works Fall/Winter 1982/83 p. 27 (middle right microscope).

*Primary Examiner*—Paula A. Mortimer  
*Attorney, Agent, or Firm*—Plevy & Associates

[57] **CLAIM**

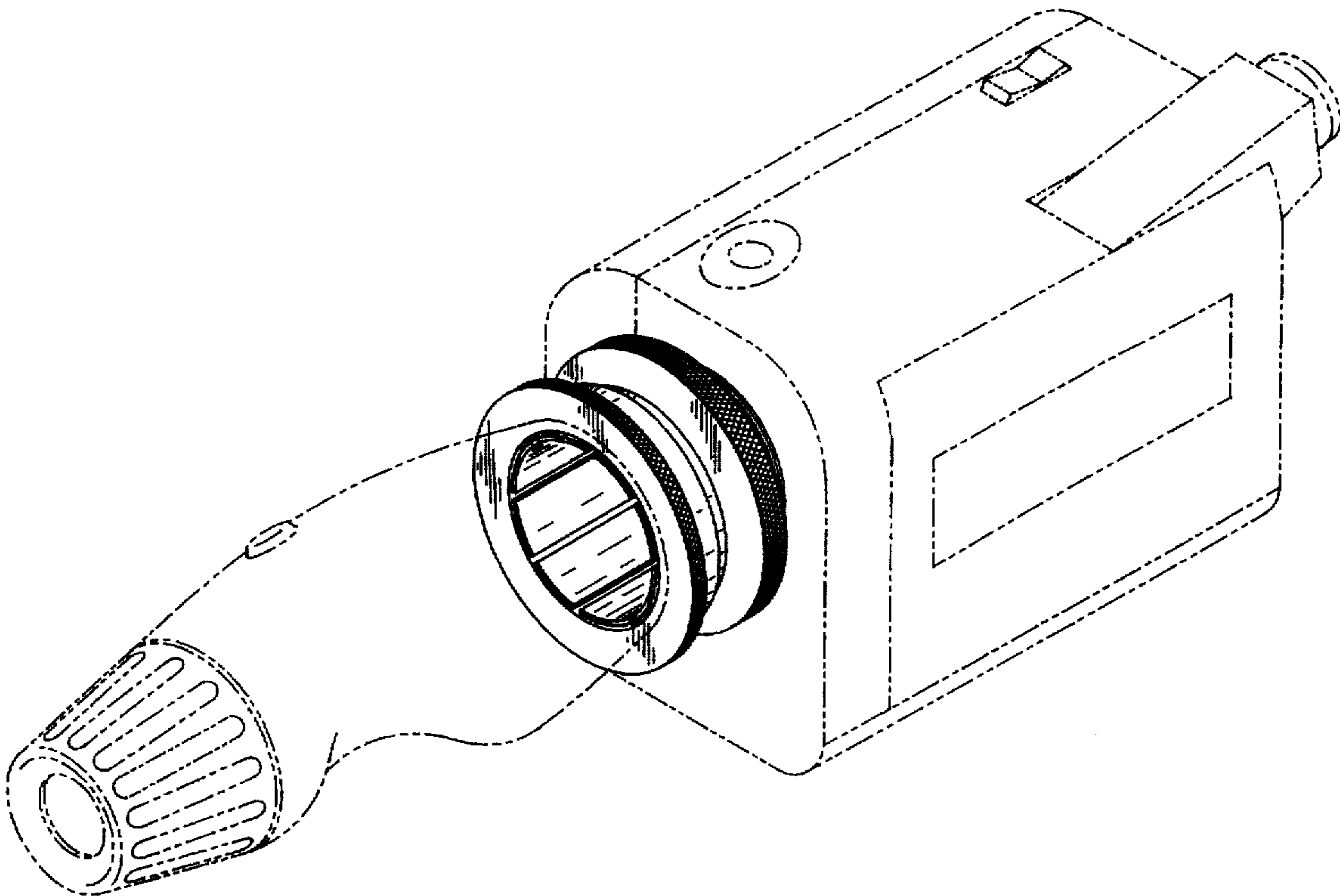
The ornamental design for a coupling adaptor ring for a night vision device, as shown and described.

**DESCRIPTION**

FIG. 1 is a front perspective view of a coupling adaptor ring for a night vision device showing my new design; FIG. 2 is a front elevational view thereof; FIG. 3 is a rear elevational view thereof; and, FIG. 4 is a side elevational view, the opposite side is a mirror image.

The broken line showing of the night vision device in FIG. 1 is for illustrative purposes only and forms no part of the claimed design.

**1 Claim, 2 Drawing Sheets**



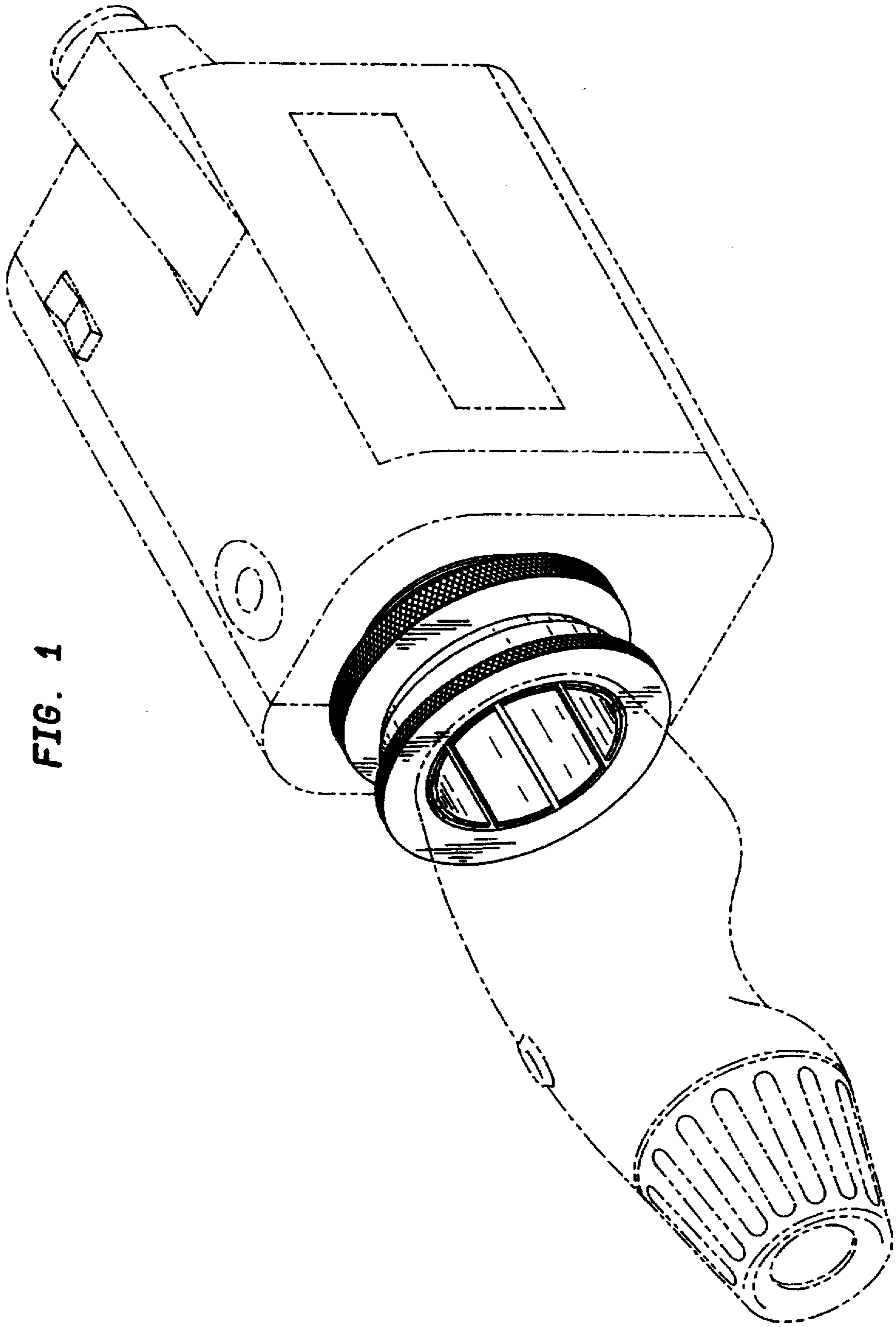


FIG. 1

FIG. 2

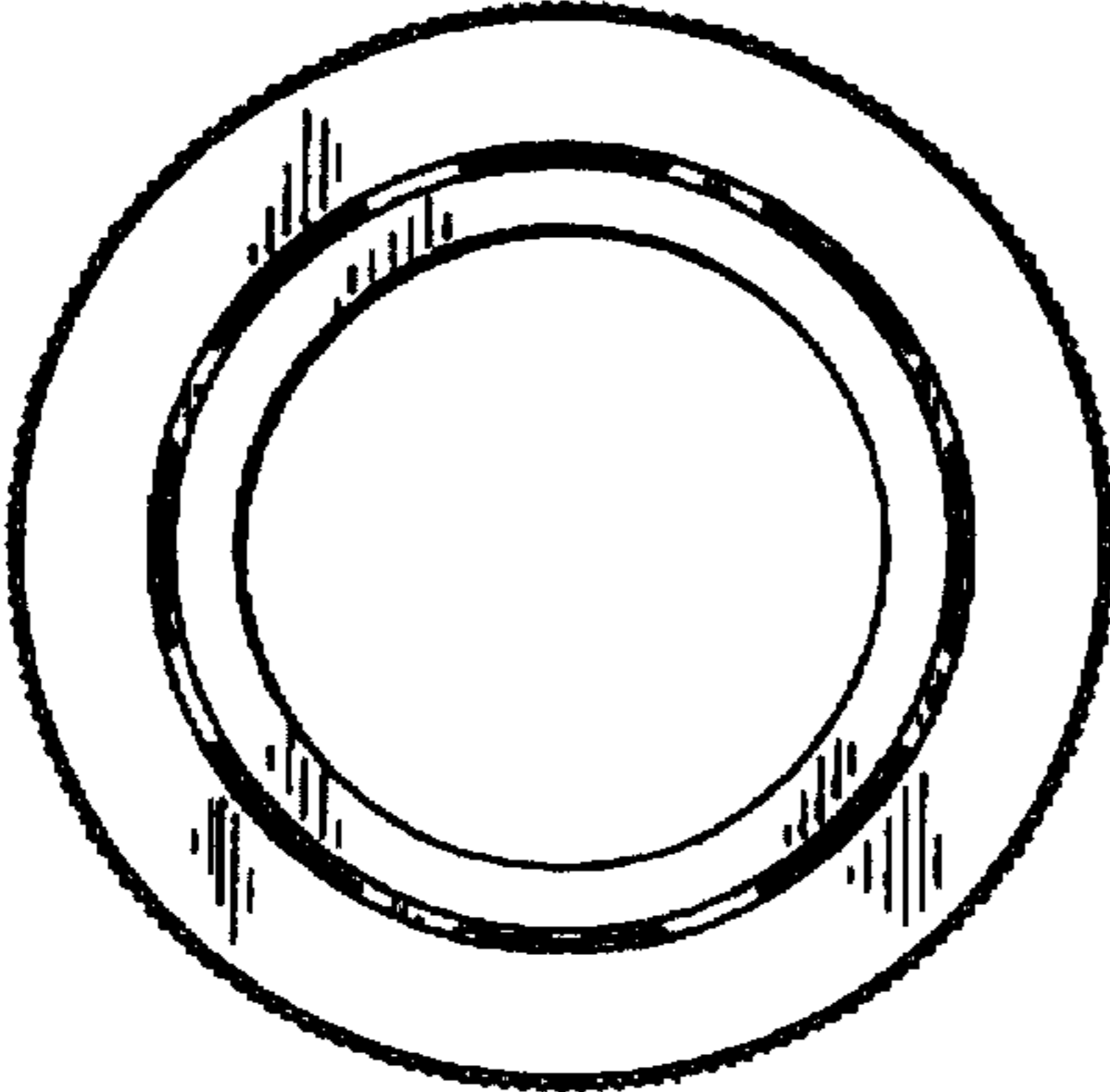


FIG. 3

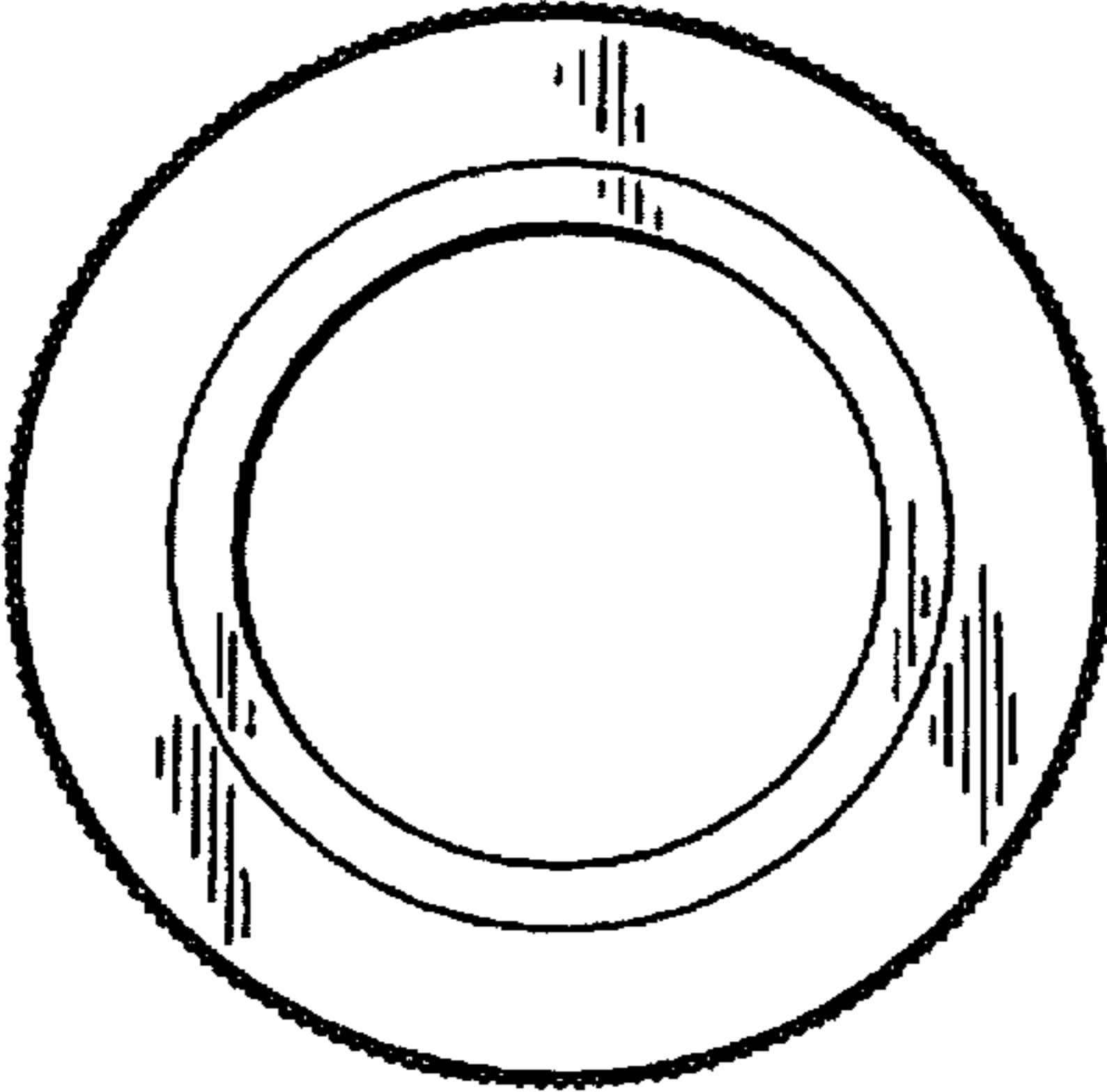


FIG. 4

