



US00D387785S

United States Patent [19]

Matsushita

[11] Patent Number: **Des. 387,785**

[45] Date of Patent: ****Dec. 16, 1997**

[54] **PAIR OF BINOCULARS**

[75] Inventor: **Takeshi Matsushita, Tokyo, Japan**

[73] Assignee: **Asahi Kogaku Kogyo Kabushiki Kaisha, Tokyo, Japan**

[**] Term: **14 Years**

[21] Appl. No.: **63,891**

[22] Filed: **Dec. 18, 1996**

[30] **Foreign Application Priority Data**

Jun. 19, 1996 [JP] Japan 8-18220

[51] LOC (6) Cl. **16-06**

[52] U.S. Cl. **D16/133**

[58] Field of Search D16/133; 359/408, 359/409, 410, 411, 417, 418, 421, 422, 579, 554, 555, 556

[56] **References Cited**

U.S. PATENT DOCUMENTS

- D. 179,088 10/1956 Klein D16/133
- D. 270,166 8/1983 Tomatsuri et al. D16/133
- D. 275,205 8/1984 Nakayama D16/133
- D. 336,654 6/1993 Kung D16/133
- 2,124,157 7/1938 Trautmann 359/418
- 3,170,024 2/1965 Dowling et al. 359/417
- 3,257,901 6/1966 Dowling et al. D16/133 X

- 4,013,340 3/1977 Mukai et al. 359/417
- 4,013,341 3/1977 Riley 359/408
- 4,284,325 8/1981 Ishibai et al. 359/417
- 5,604,631 2/1997 Gelardi et al. 359/411 X

Primary Examiner—Paula A. Mortimer
Attorney, Agent, or Firm—Sughrue, Mion, Zinn, Macpeak & Seas, PLLC

[57] **CLAIM**

The ornamental design for a pair of binoculars, as shown and described.

DESCRIPTION

FIG. 1 is a perspective view of the front, top and right side of a pair of binoculars showing my new design;
 FIG. 2 is a front elevational view thereof;
 FIG. 3 is a top plan view thereof;
 FIG. 4 is a right side elevational view thereof;
 FIG. 5 is a left side elevational view thereof;
 FIG. 6 is a rear elevational view thereof;
 FIG. 7 is a bottom plan view thereof; and,
 FIG. 8 is a perspective view with the pair of binoculars in an expanded condition;
 FIG. 9 is a front elevational view thereof;
 FIG. 10 is a top plan view thereof;
 FIG. 11 is a rear elevational view thereof; and,
 FIG. 12 is a bottom plan view thereof.

1 Claim, 4 Drawing Sheets

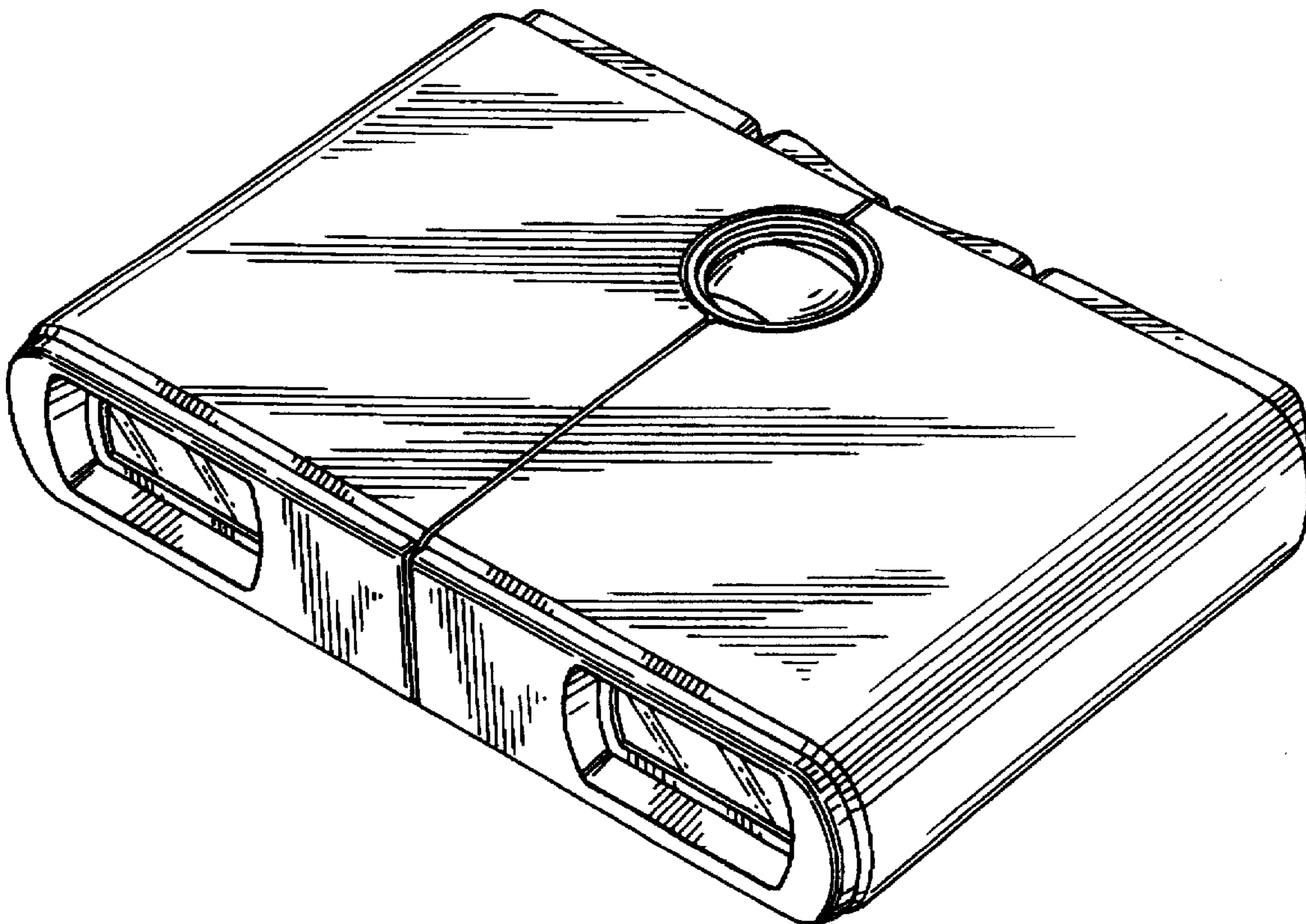


FIG. 1

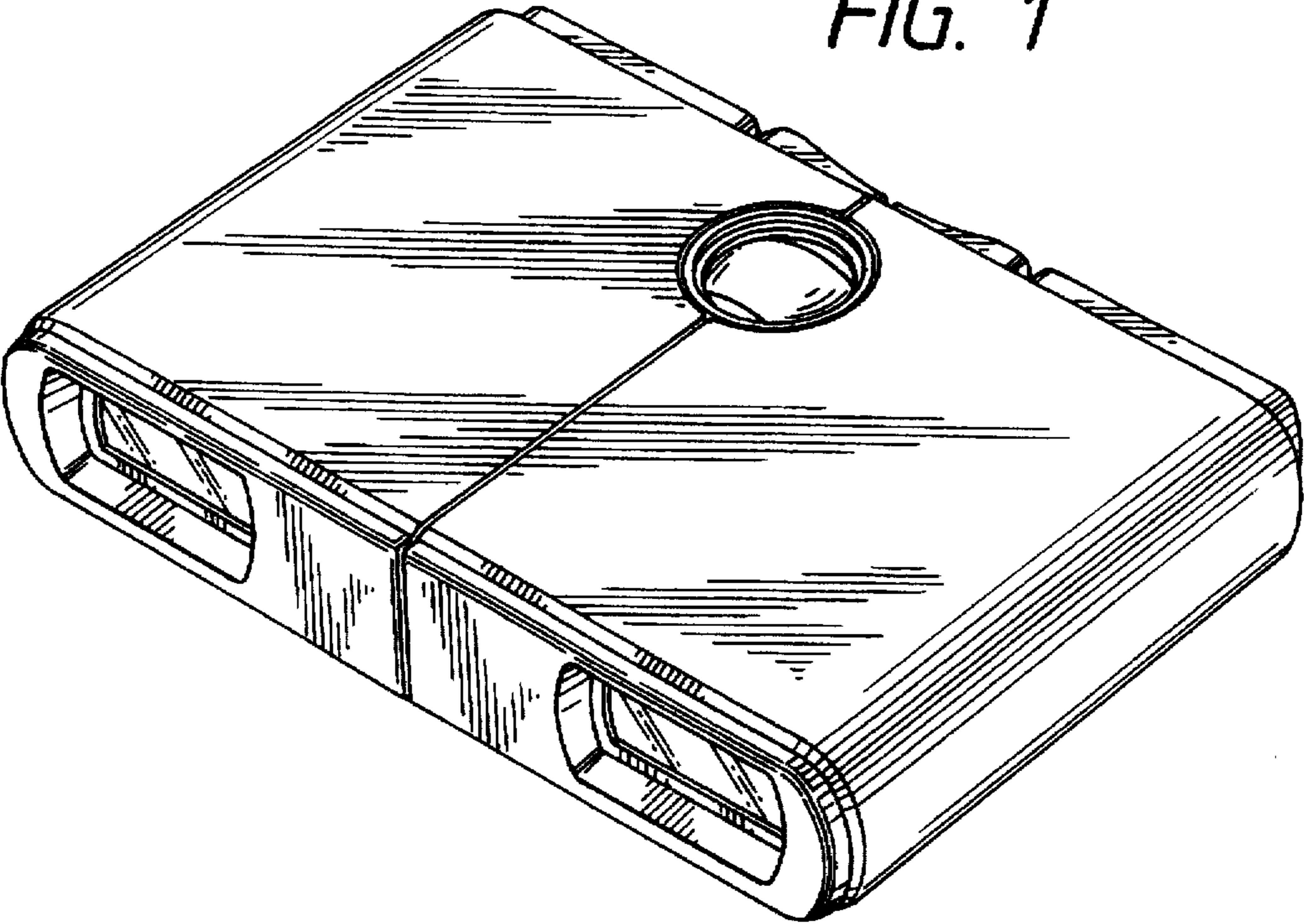


FIG. 2

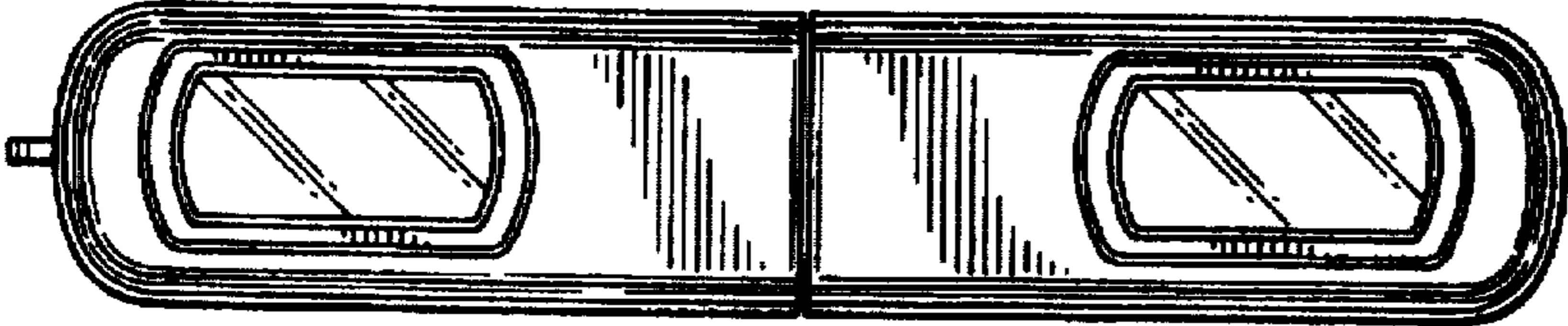


FIG. 3

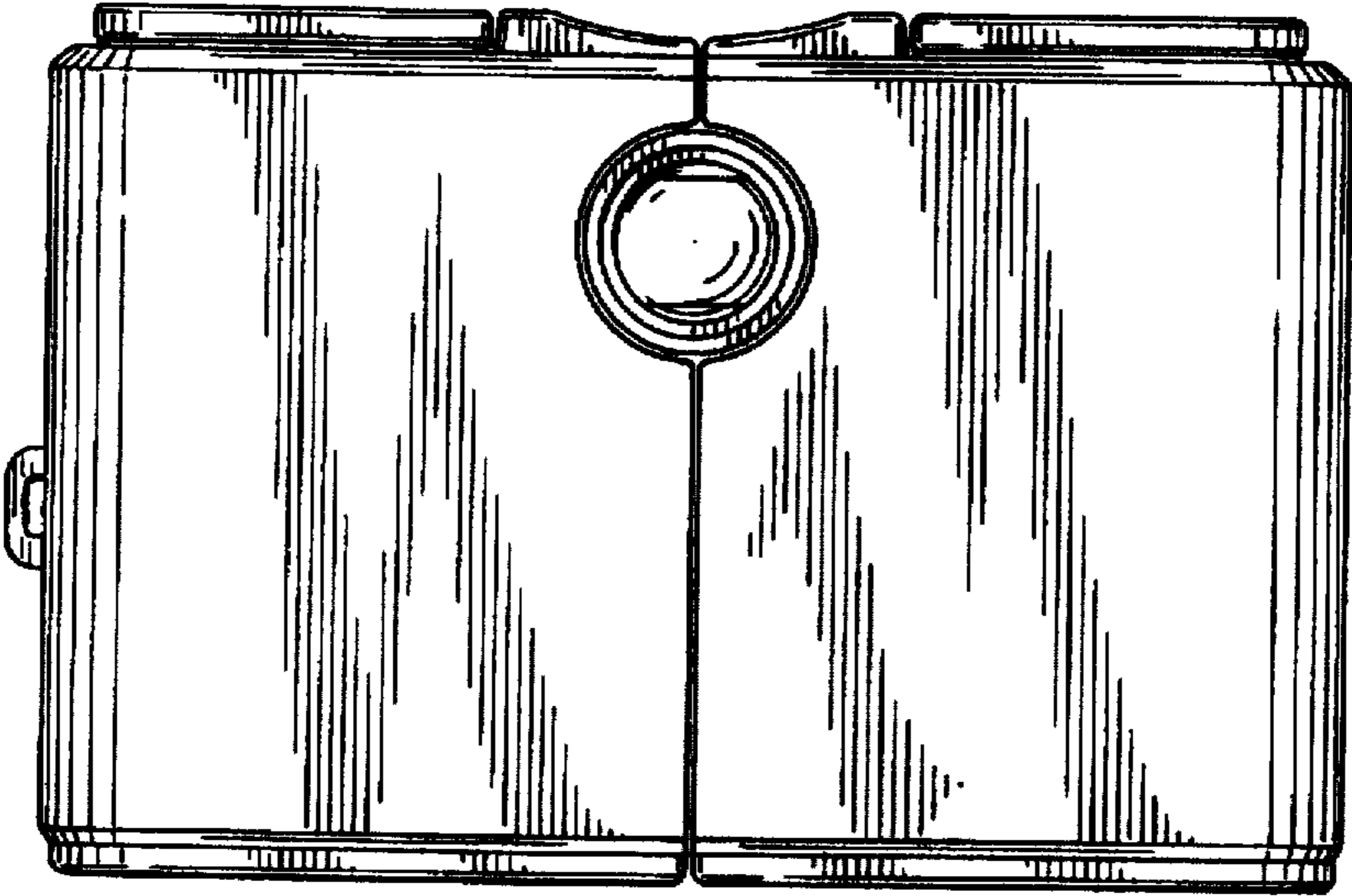


FIG. 4

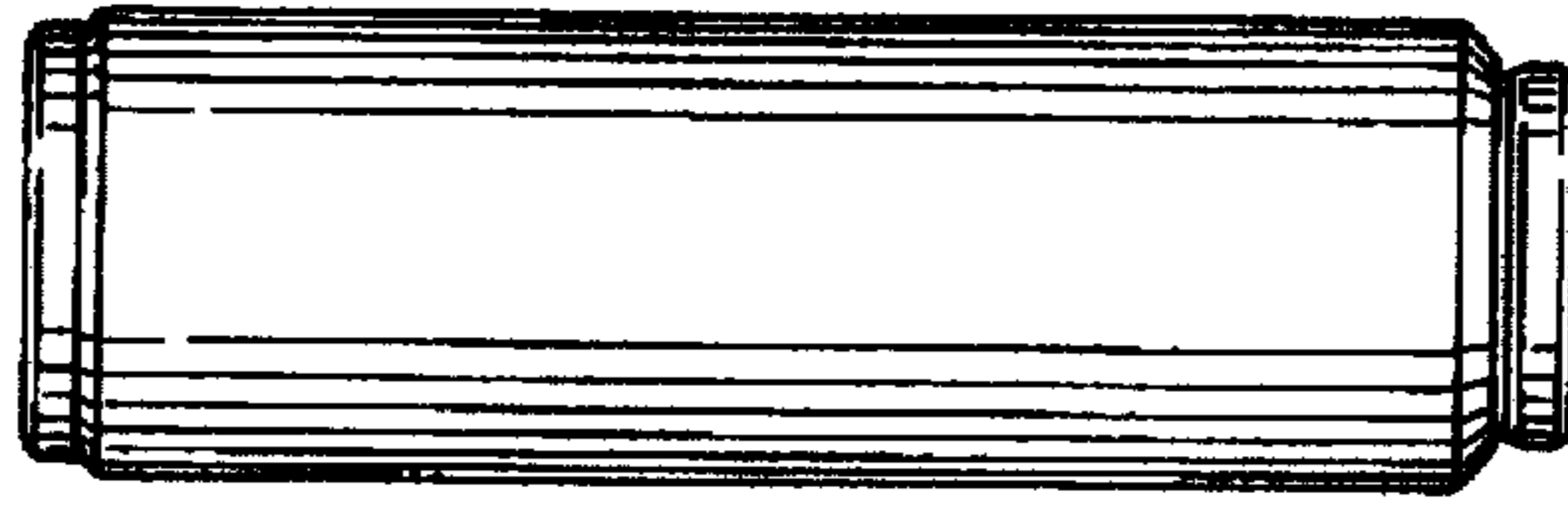


FIG. 5

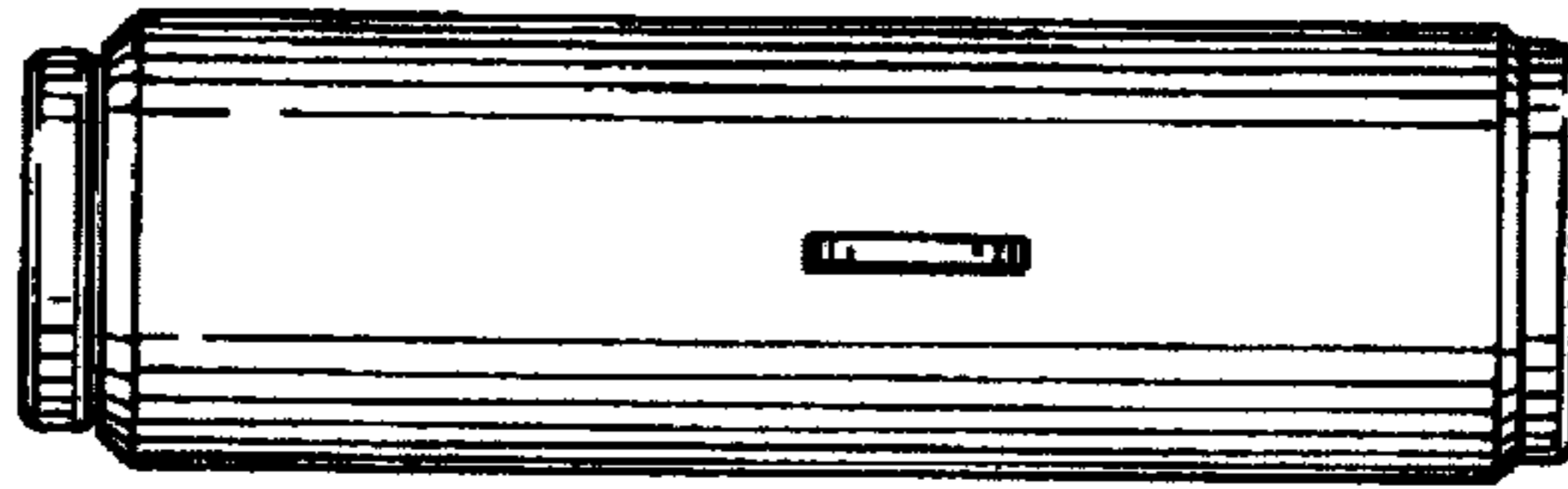


FIG. 6

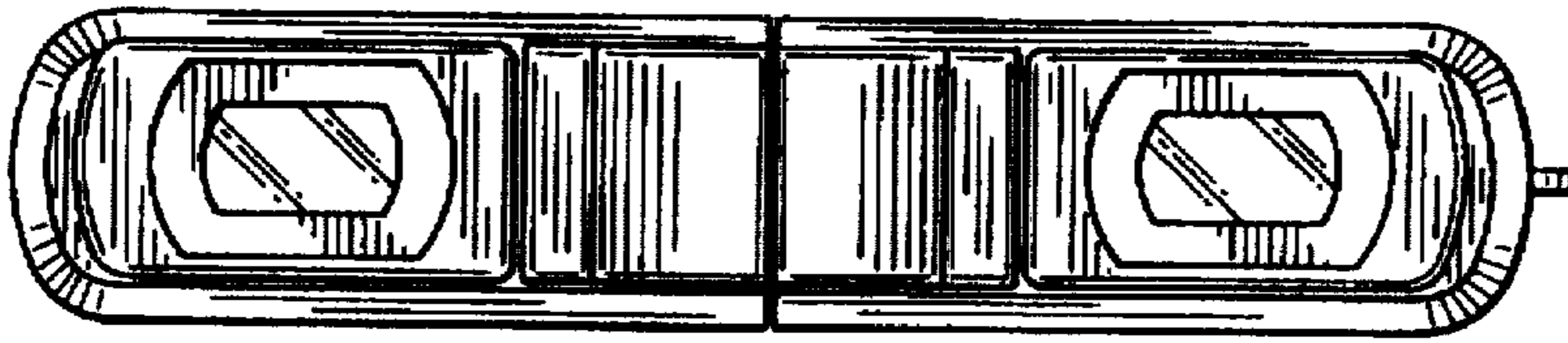
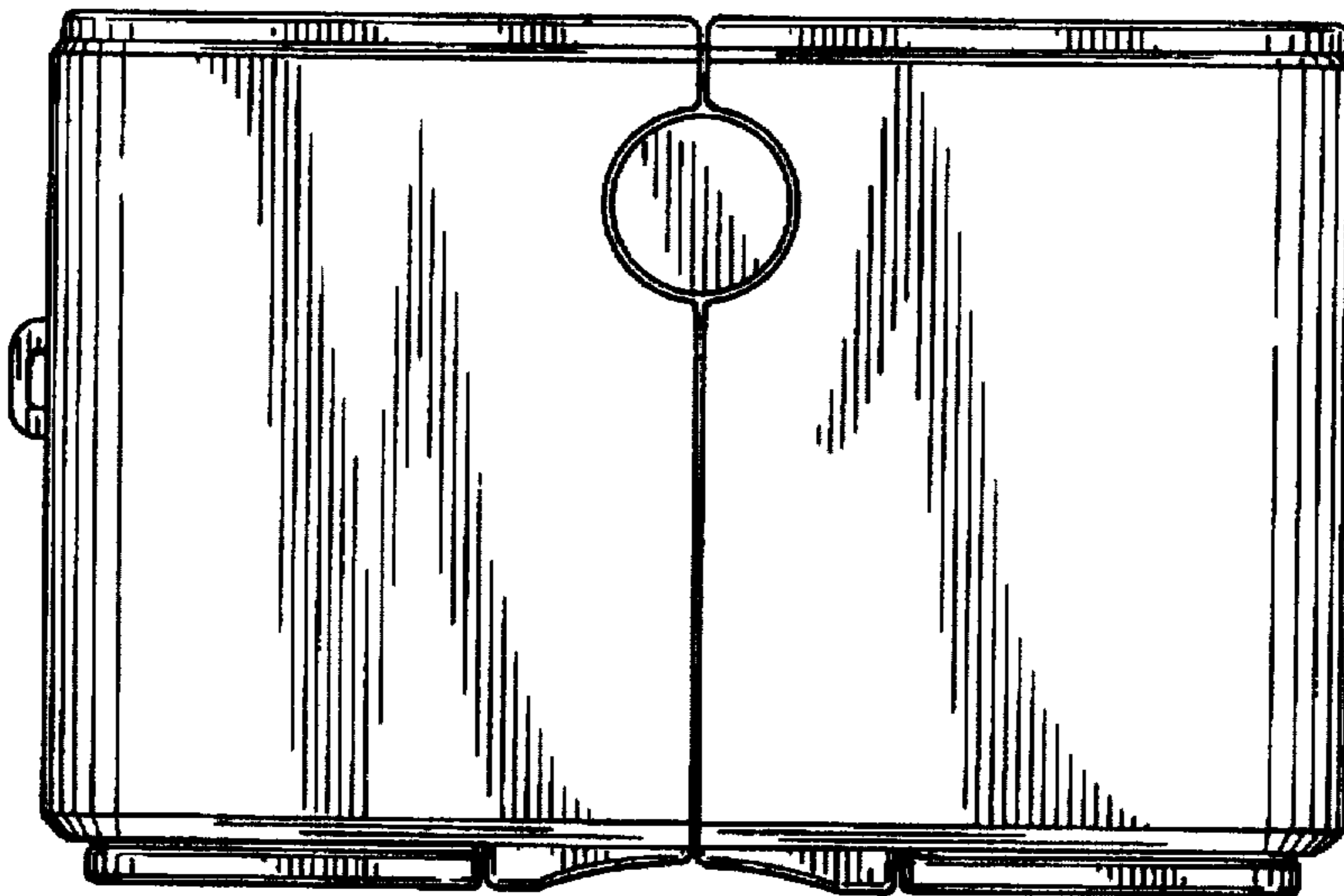


FIG. 7



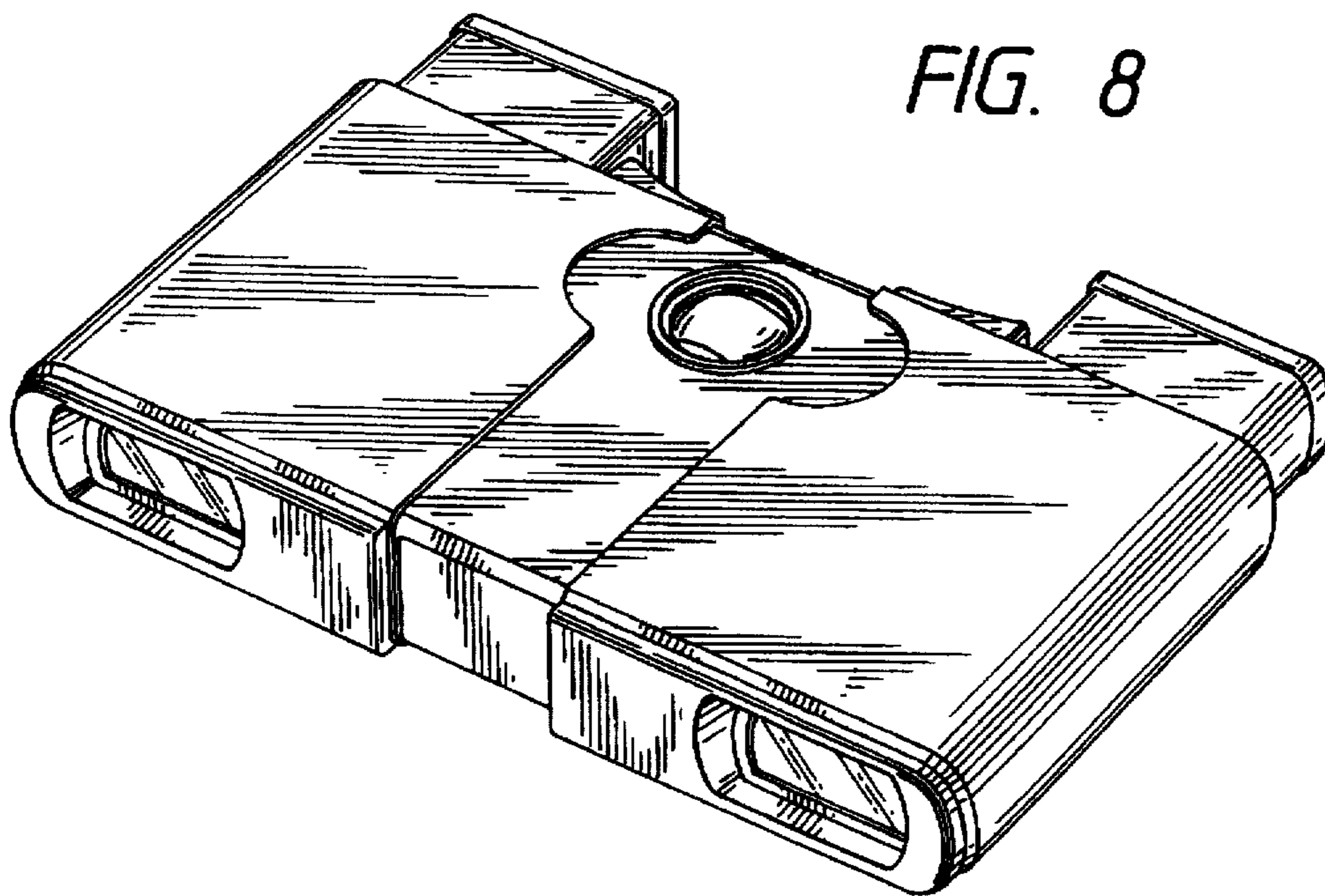


FIG. 9

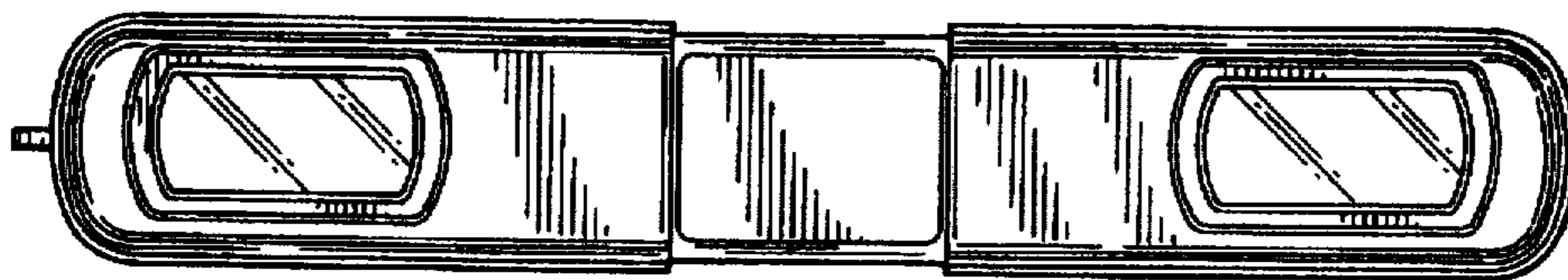


FIG. 10

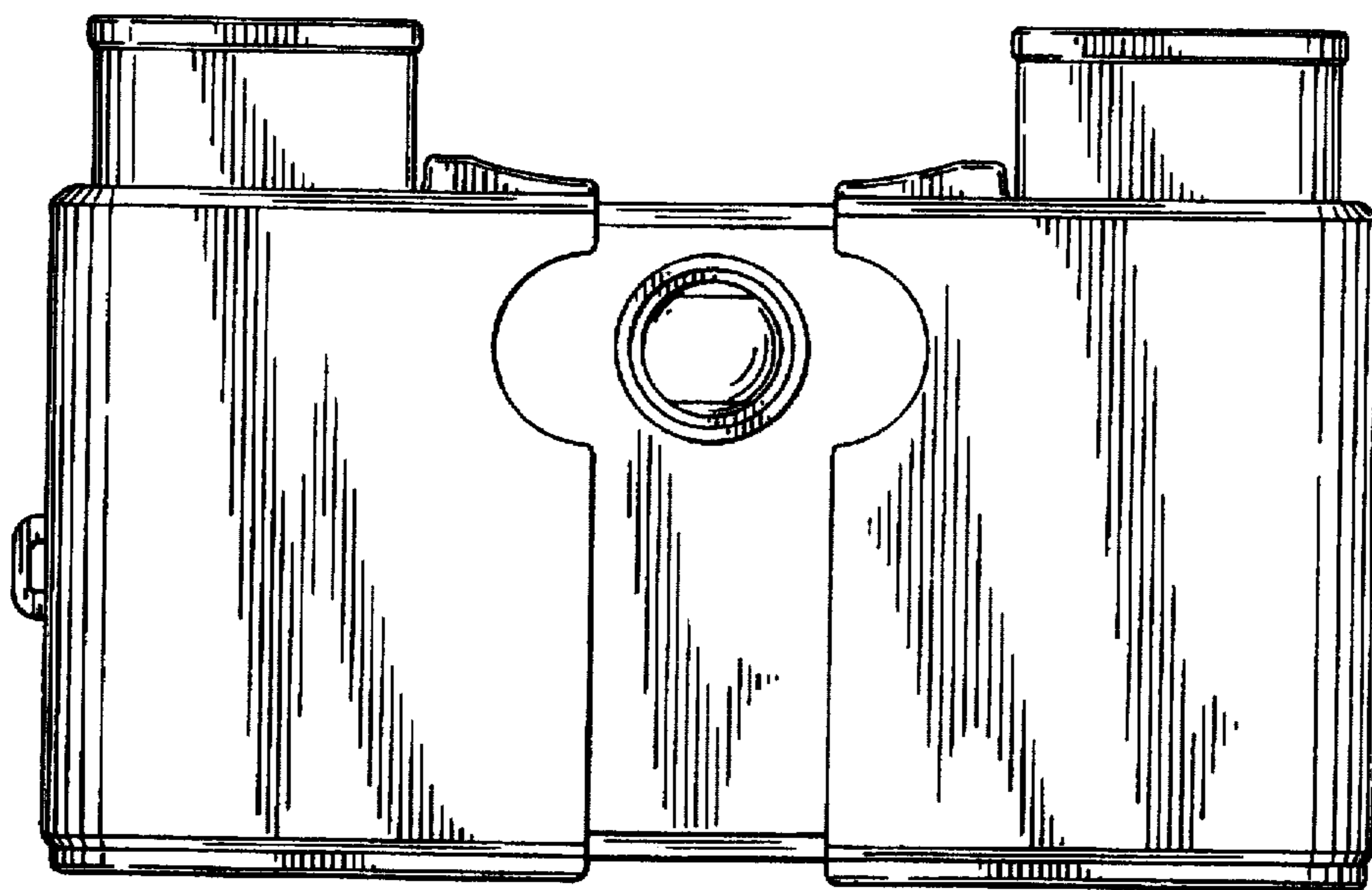


FIG. 11

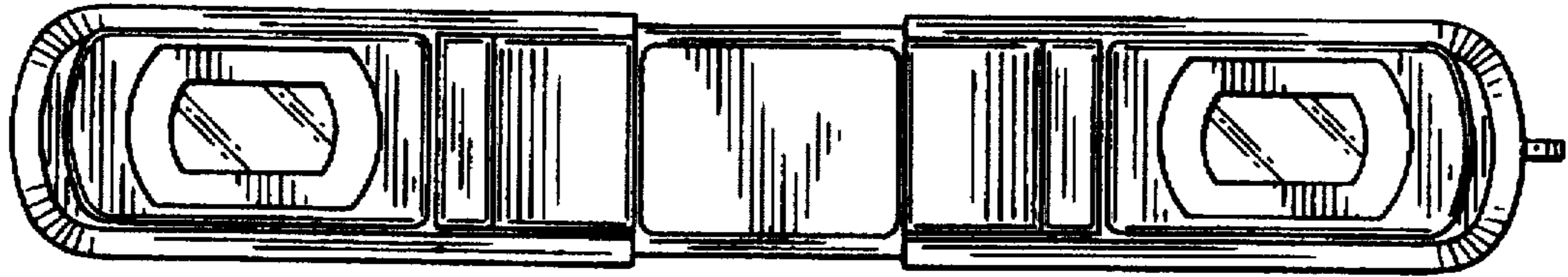


FIG. 12

