



US00D387782S

United States Patent [19]

[11] Patent Number: **Des. 387,782**

Letendre

[45] Date of Patent: ****Dec. 16, 1997**

[54] **GUIDE ASSEMBLY FOR CONVENTIONAL BENCH SAW**

Primary Examiner—Antoine Duval Davis
Attorney, Agent, or Firm—Jean H. Dubuc

[76] Inventor: **Michel Letendre**, 2620 Croissant Bernini, Brossard, Québec, Canada, J4Z 2S2

[57] **CLAIM**

The ornamental design for a guide assembly for conventional bench saw, as shown and described.

[**] Term: **14 Years**

DESCRIPTION

[21] Appl. No.: **60,282**

FIG. 1 is a perspective view of a guide assembly for conventional bench saw showing my new design;

[22] Filed: **Jul. 30, 1996**

FIG. 2 is a side elevation thereof;

[51] LOC (6) Cl. **15-09**

FIG. 3 is an opposite side elevation thereof;

[52] U.S. Cl. **D15/133; D15/138**

FIG. 4 is an end view thereof as seen from the right of FIG. 3;

[58] Field of Search **D15/133, 138; 83/859, 860; 144/253.1-253.91**

FIG. 5 is an end view thereof as seen from the left of FIG. 3;

[56] **References Cited**

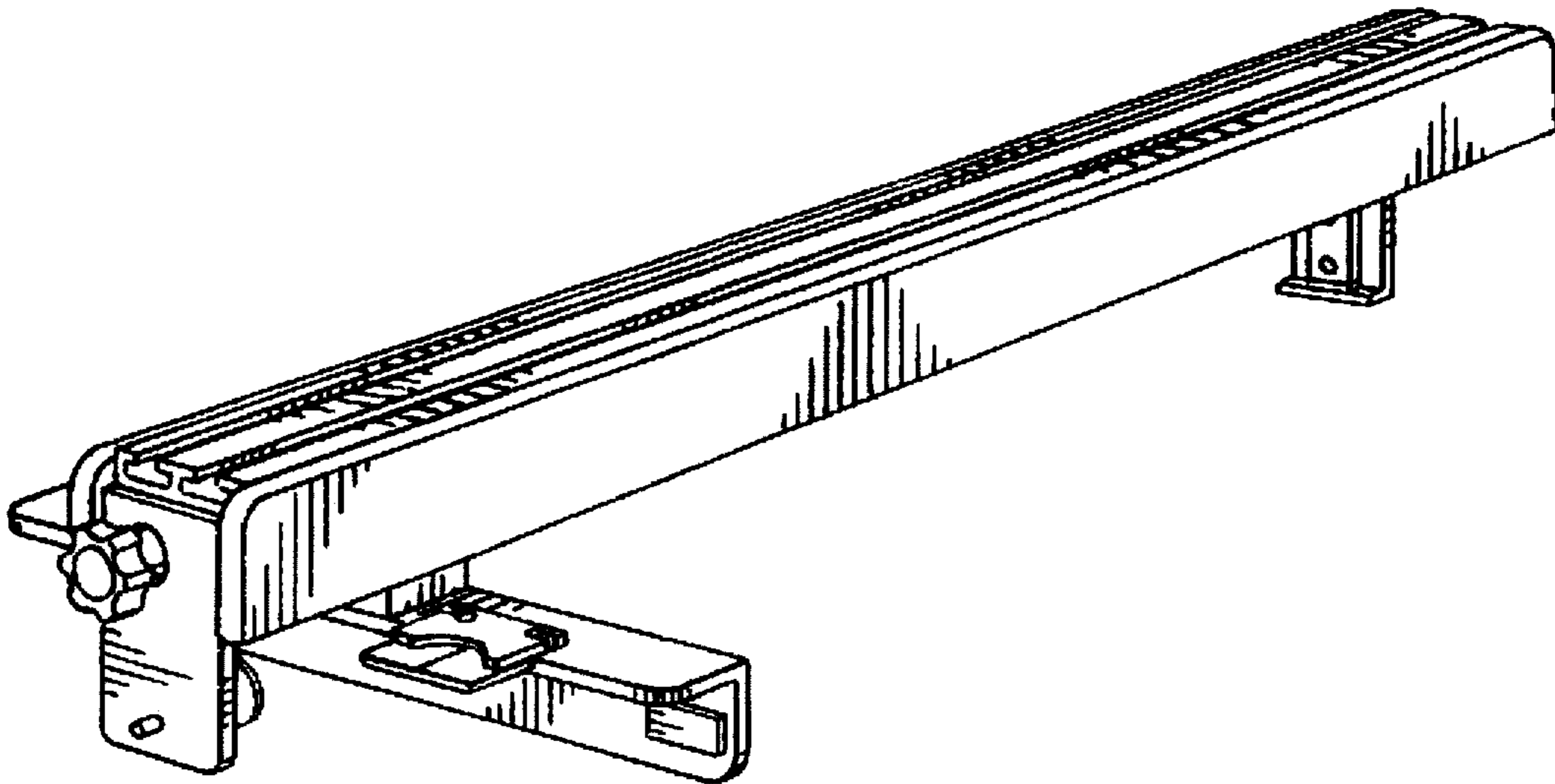
FIG. 6 is a top plan view thereof; and,

FIG. 7 is a bottom plan view thereof.

U.S. PATENT DOCUMENTS

D. 298,040 10/1988 Legler et al. **D15/133**

1 Claim, 2 Drawing Sheets



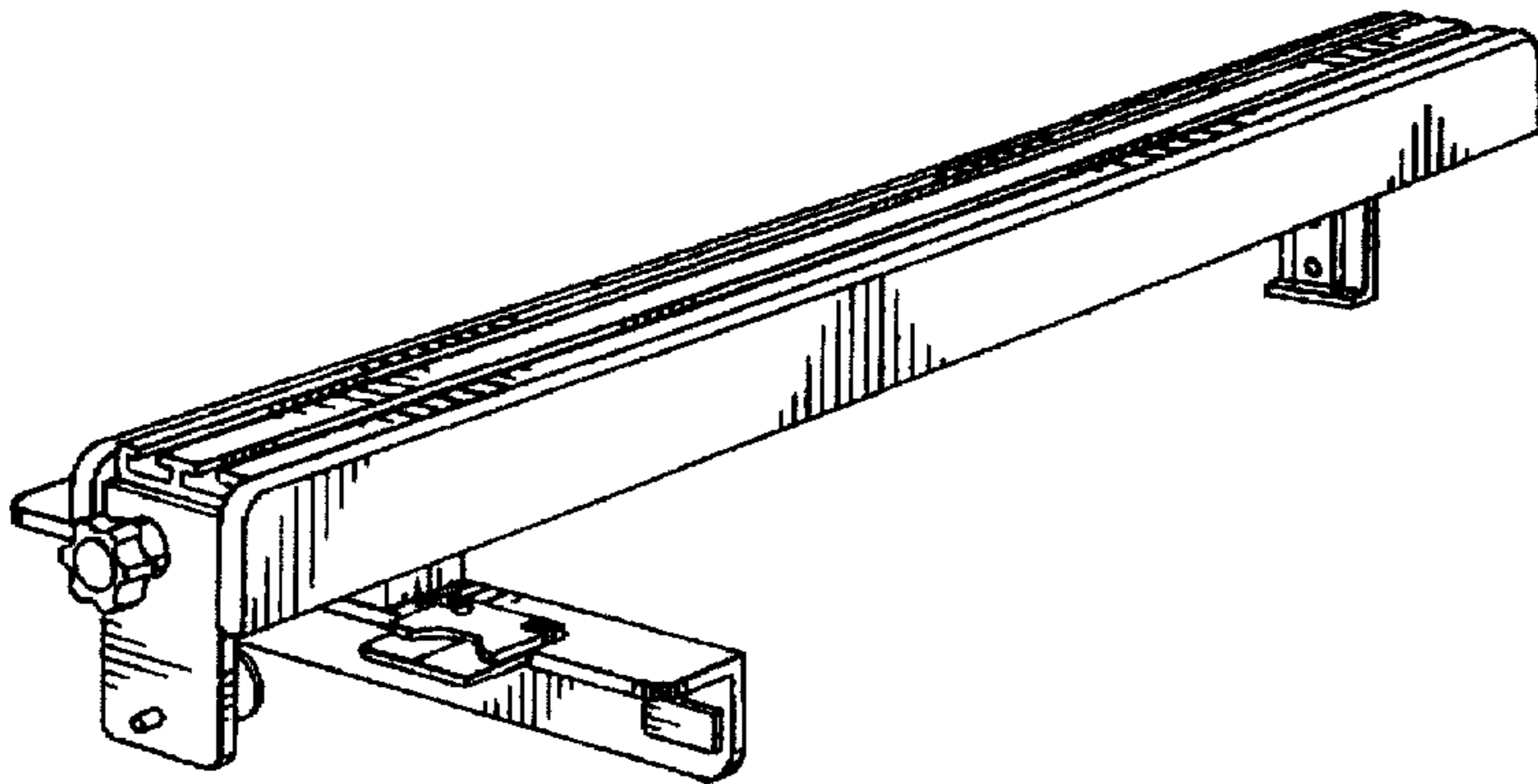


FIG. 1

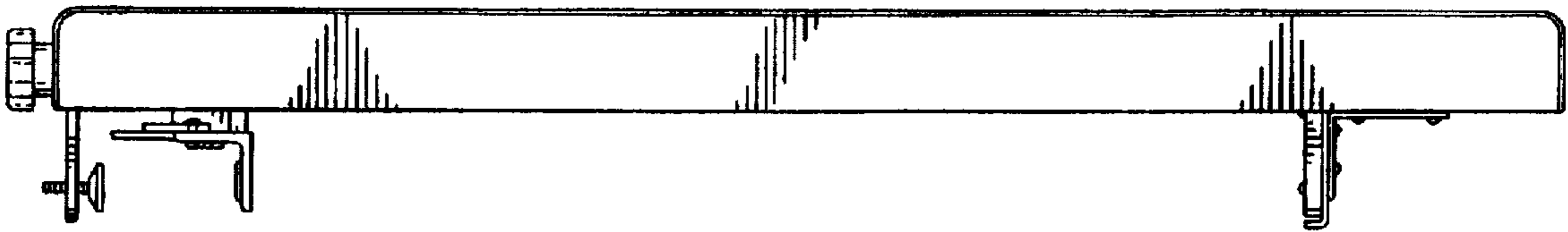


FIG. 2

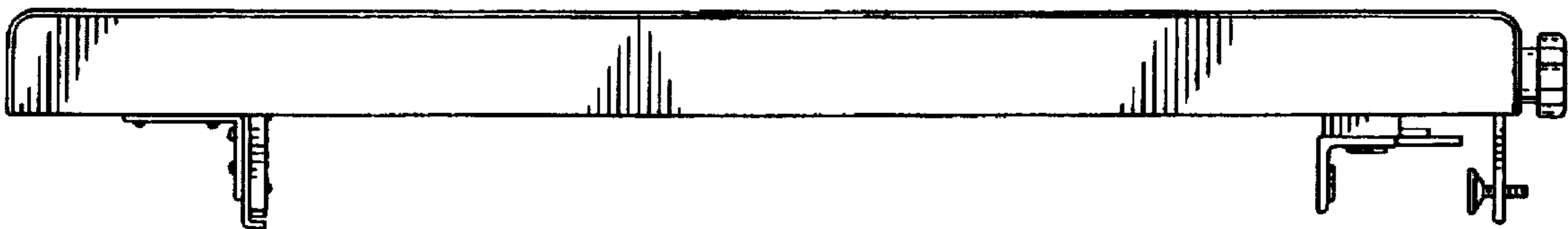


FIG. 3

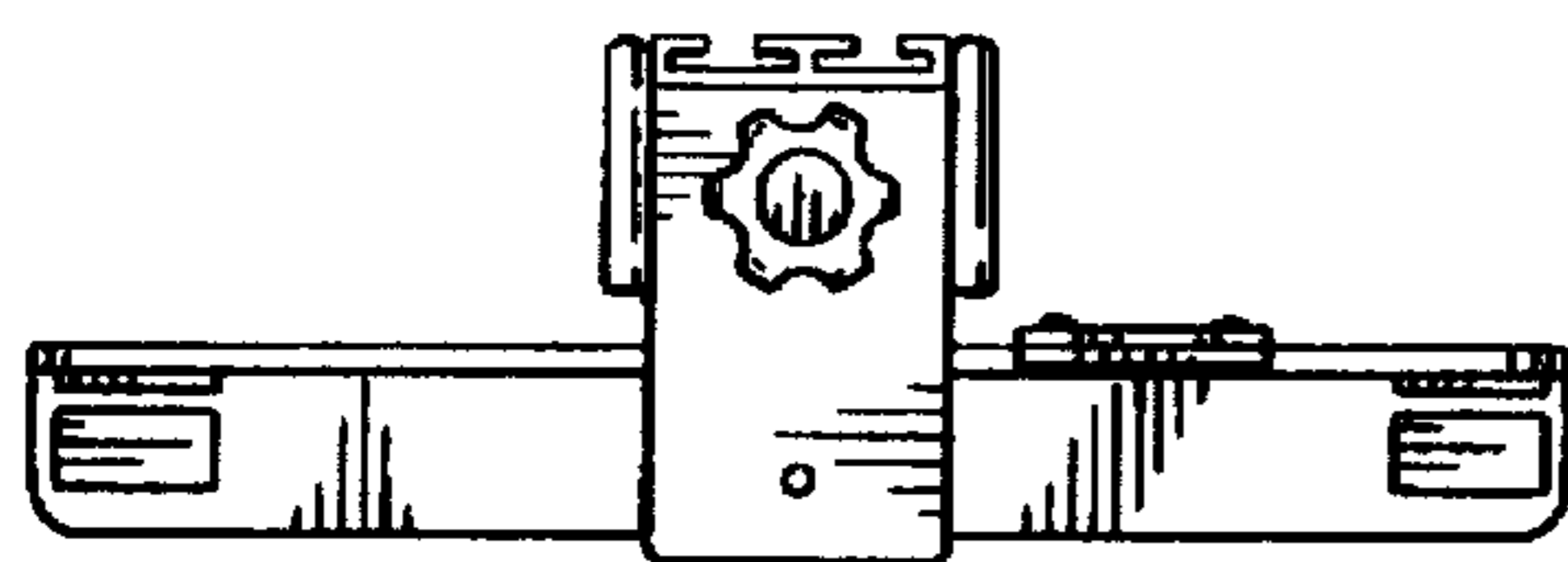


FIG. 4

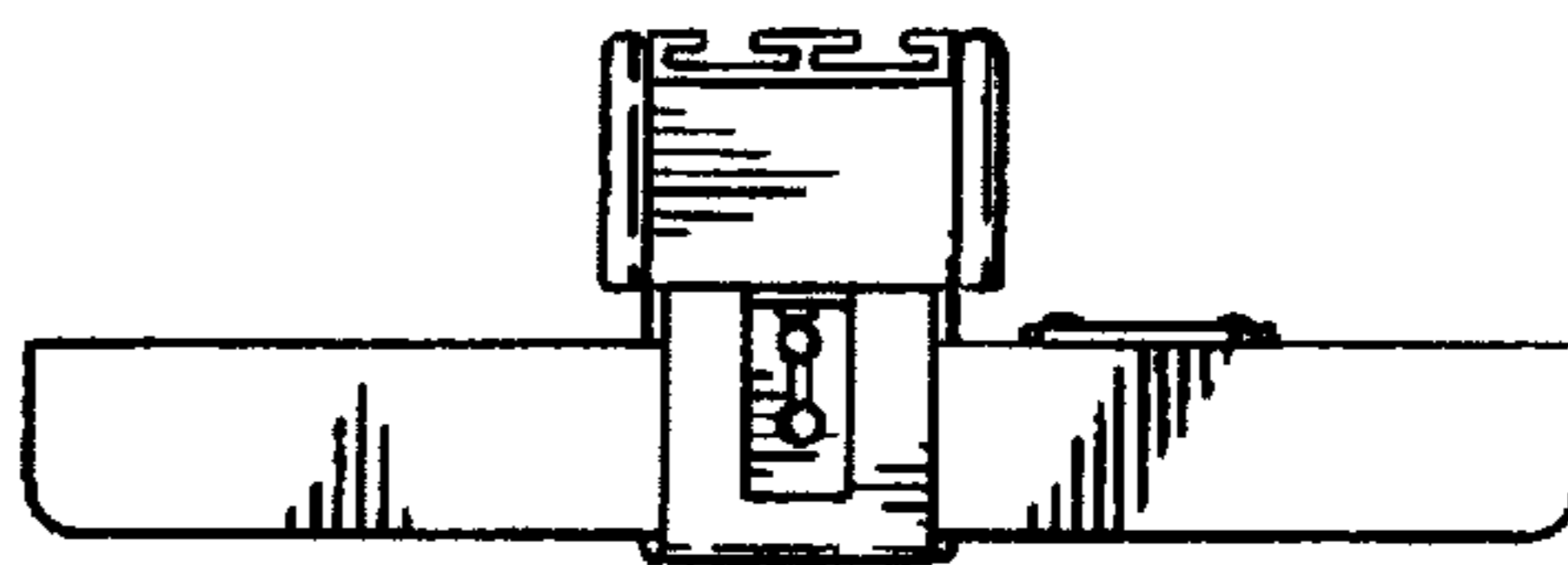


FIG. 5

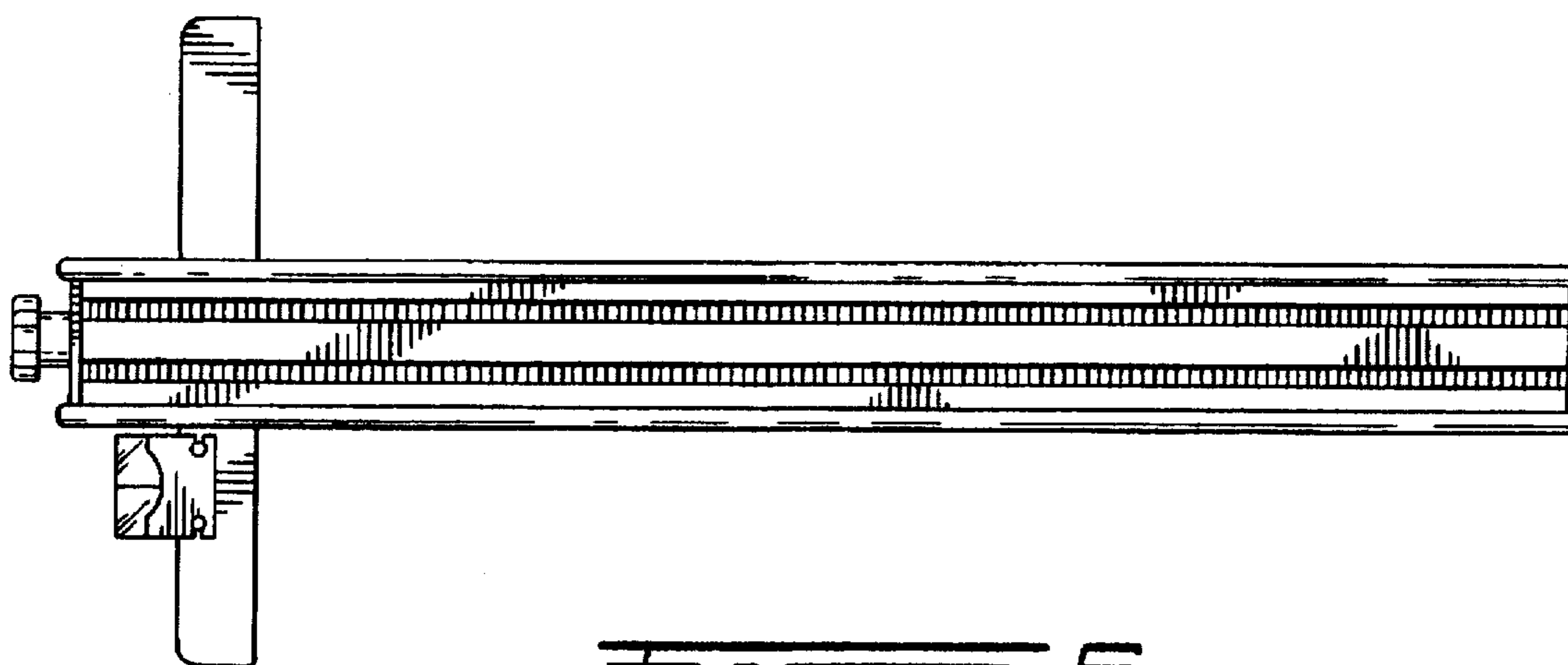


FIG. 6



FIG. 7