



US00D387780S

United States Patent [19]
Sandlin et al.

[11] **Patent Number: Des. 387,780**
[45] **Date of Patent: **Dec. 16, 1997**

[54] **REFRIGERATOR/FREEZER SHELF**
[75] **Inventors: Randall Sandlin; Robert Henry Martin, both of Columbus, Ohio**
[73] **Assignee: White Consolidated Industries, Inc., Cleveland, Ohio**
[**] **Term: 14 Years**
[21] **Appl. No.: 59,133**
[22] **Filed: Aug. 26, 1996**
[51] **LOC (6) Cl. 15-07**
[52] **U.S. Cl. D15/89; D6/511; D6/574**
[58] **Field of Search D6/509, 511, 574; D15/89; 312/408, 309, 313, 334.8**

5,199,778 4/1993 Aoki et al. .
5,226,707 7/1993 Han et al. .
5,273,354 12/1993 Herrmann et al. .
5,299,863 4/1994 Albright, Jr. .
5,332,611 7/1994 Shanok et al. .
5,340,209 8/1994 Kolbe et al. .
5,362,145 11/1994 Bird et al. .
5,403,083 4/1995 Dasher et al. .
5,403,084 4/1995 Kane et al. .
5,406,894 4/1995 Herrmann et al. .
5,429,433 7/1995 Bird et al. .
5,441,338 8/1995 Kane et al. .
5,454,638 10/1995 Bird et al. .
5,486,046 1/1996 Jernstrom et al. 312/408
5,540,493 7/1996 Kane et al. 312/408

FOREIGN PATENT DOCUMENTS

363868 4/1990 European Pat. Off. .
8201916 12/1983 Netherlands .
934745 8/1963 United Kingdom .

OTHER PUBLICATIONS

Pending U.S. Ser. No. 08/590,137; Filed Jan. 23, 1996; "Applicants: Edison Allen Fish et al.; Entitled: Adjustable Shelf For A Refrigerator".

Primary Examiner—B. J. Bullock
Attorney, Agent, or Firm—Pearne, Gordon, McCoy & Granger LLP

[57] **CLAIM**

The ornamental design for a refrigerator/freezer shelf, as shown and described.

DESCRIPTION

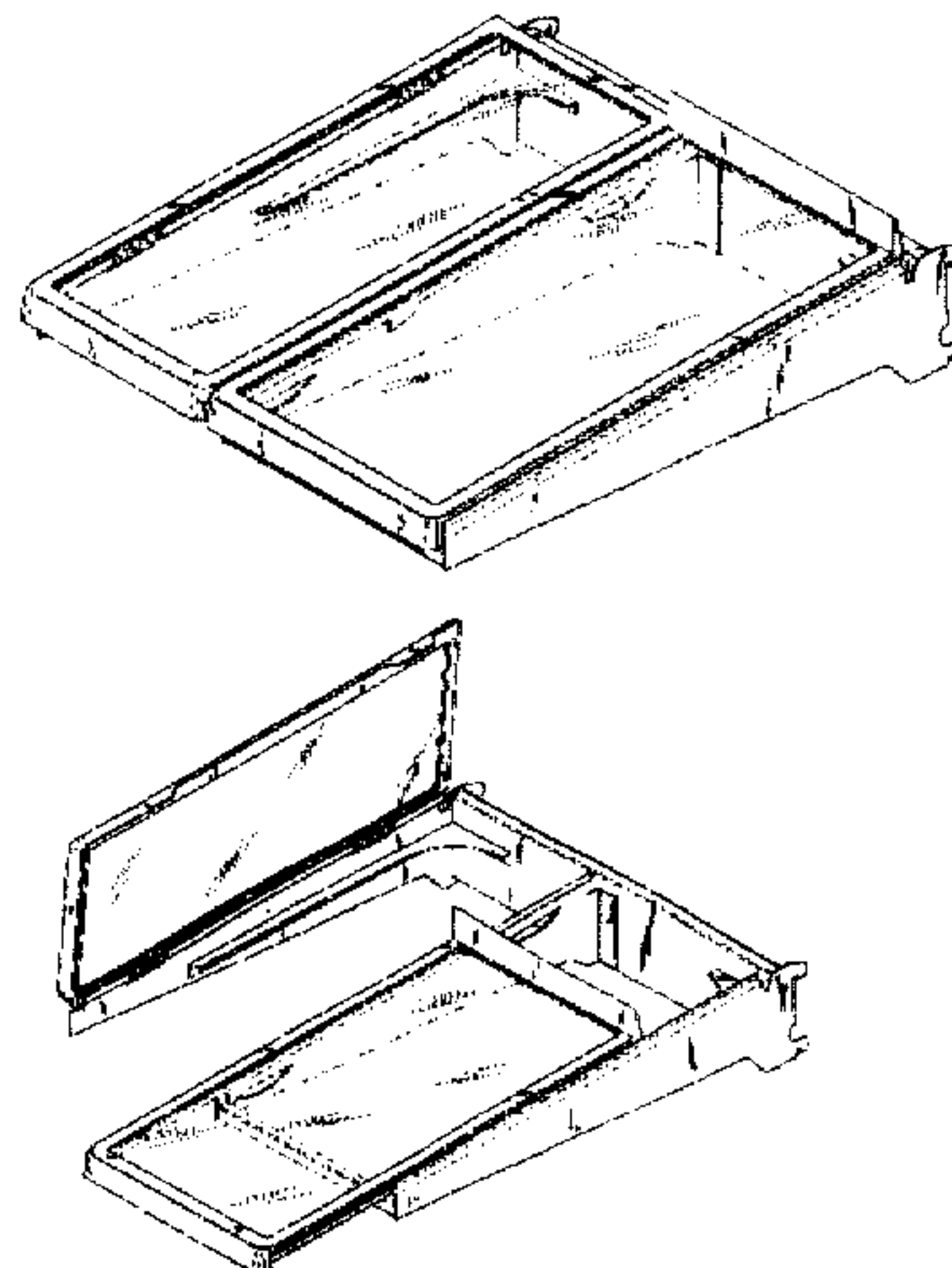
FIG. 1 is a perspective view of a shelf according to the present invention;
FIG. 2 is a perspective view of the shelf shown in FIG. 1, but wherein a pivotal portion of the shelf is in an upright position and a slidable portion of the shelf is in an extended position;
FIG. 3 is a front elevational view;
FIG. 4 is a top plan view;
FIG. 5 is a right side elevational view;
FIG. 6 is a left side elevational view;
FIG. 7 is a bottom plan view; and,
FIG. 8 is a rear elevational view.

1 Claim, 4 Drawing Sheets

[56] **References Cited**

U.S. PATENT DOCUMENTS

D. 309,461 7/1990 Bussan et al. .
2,091,607 8/1937 Nave .
2,092,430 9/1937 Stratton .
2,287,611 6/1942 Harbison .
2,319,470 5/1943 Nobles .
2,352,345 6/1944 Rundell .
2,564,478 8/1951 Harbison .
2,976,101 3/1961 Rooney .
3,185,315 5/1965 Andreassen .
3,311,072 3/1967 Pattison .
3,334,954 8/1967 Kesling .
3,565,504 2/1971 Brown .
3,586,411 6/1971 Brigham .
3,625,371 12/1971 Dill .
3,690,744 9/1972 Squire .
3,857,624 12/1974 Peterson 312/408
3,859,932 1/1975 Armstrong et al. .
3,912,085 10/1975 Cooke et al. .
3,981,552 9/1976 Karashima .
3,984,163 10/1976 Boorman Jr. et al. .
4,437,572 3/1984 Hoffman .
4,462,645 7/1984 Ballarin et al. .
4,528,825 7/1985 Khan .
4,735,470 4/1988 Falk .
4,736,997 4/1988 Besore et al. .
4,815,685 3/1989 Roberts et al. .
4,923,260 5/1990 Poulsen .
4,934,541 6/1990 Bussan et al. .
4,944,566 7/1990 Carper .
5,022,539 6/1991 Rushing et al. .



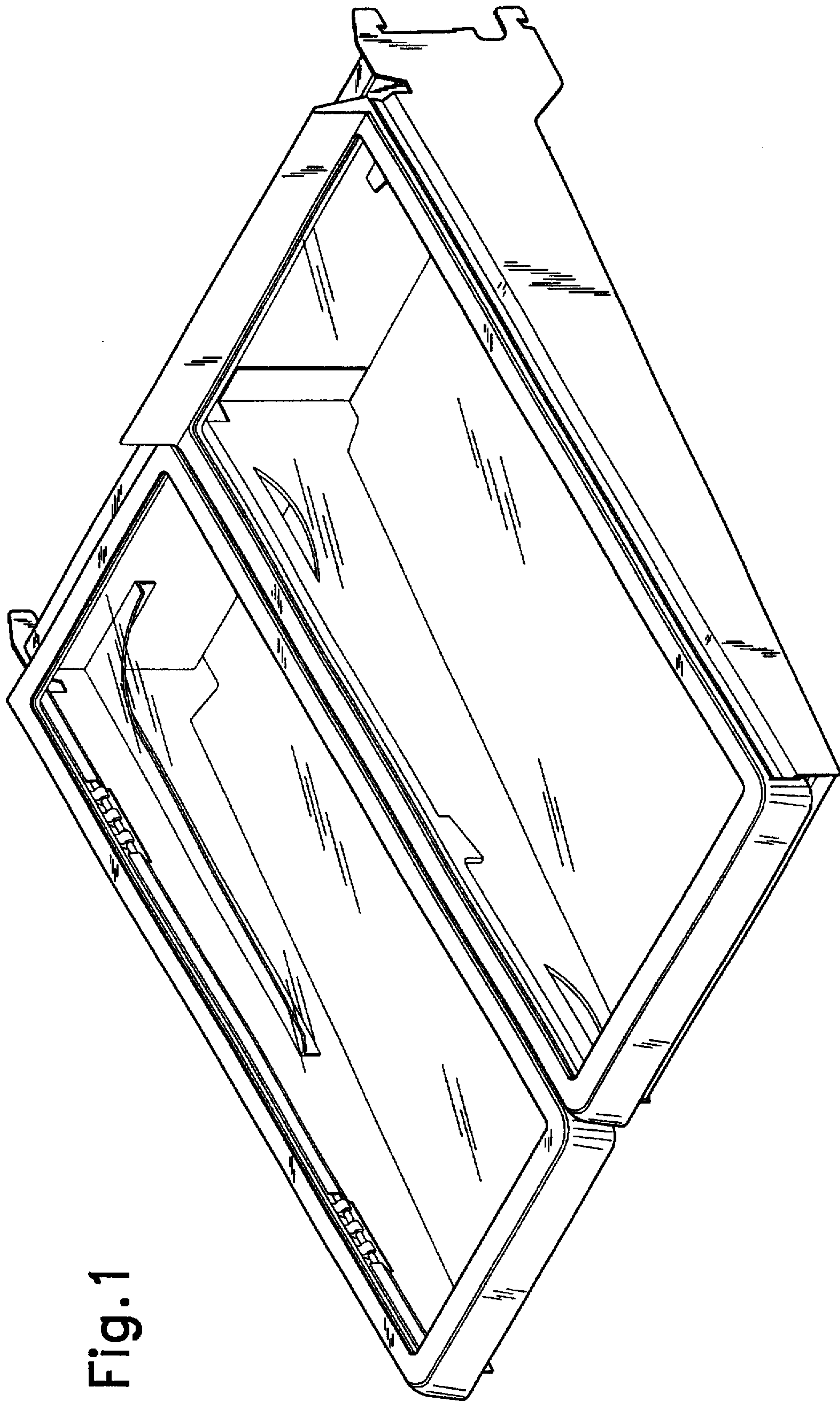


Fig. 1

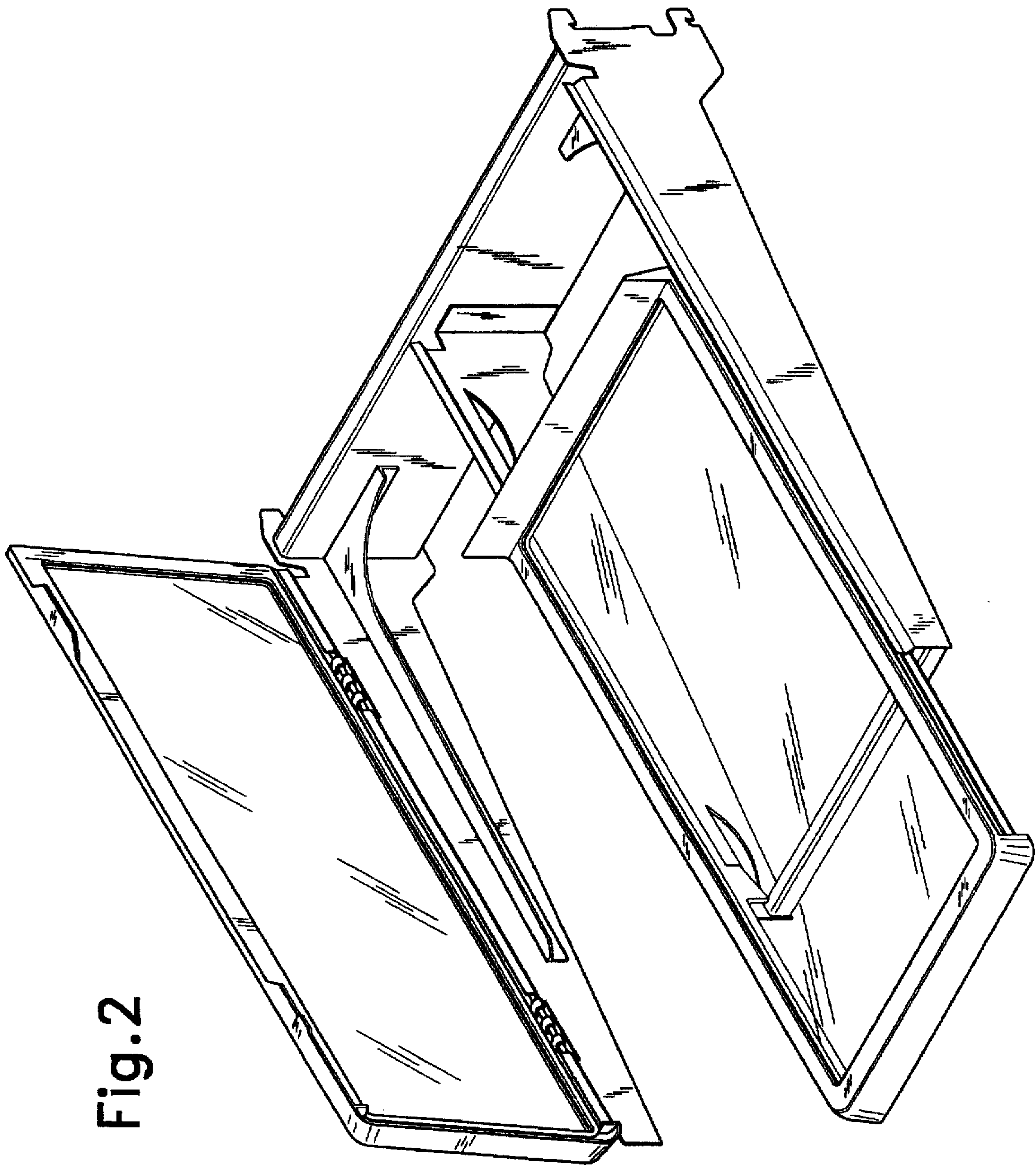


Fig. 2

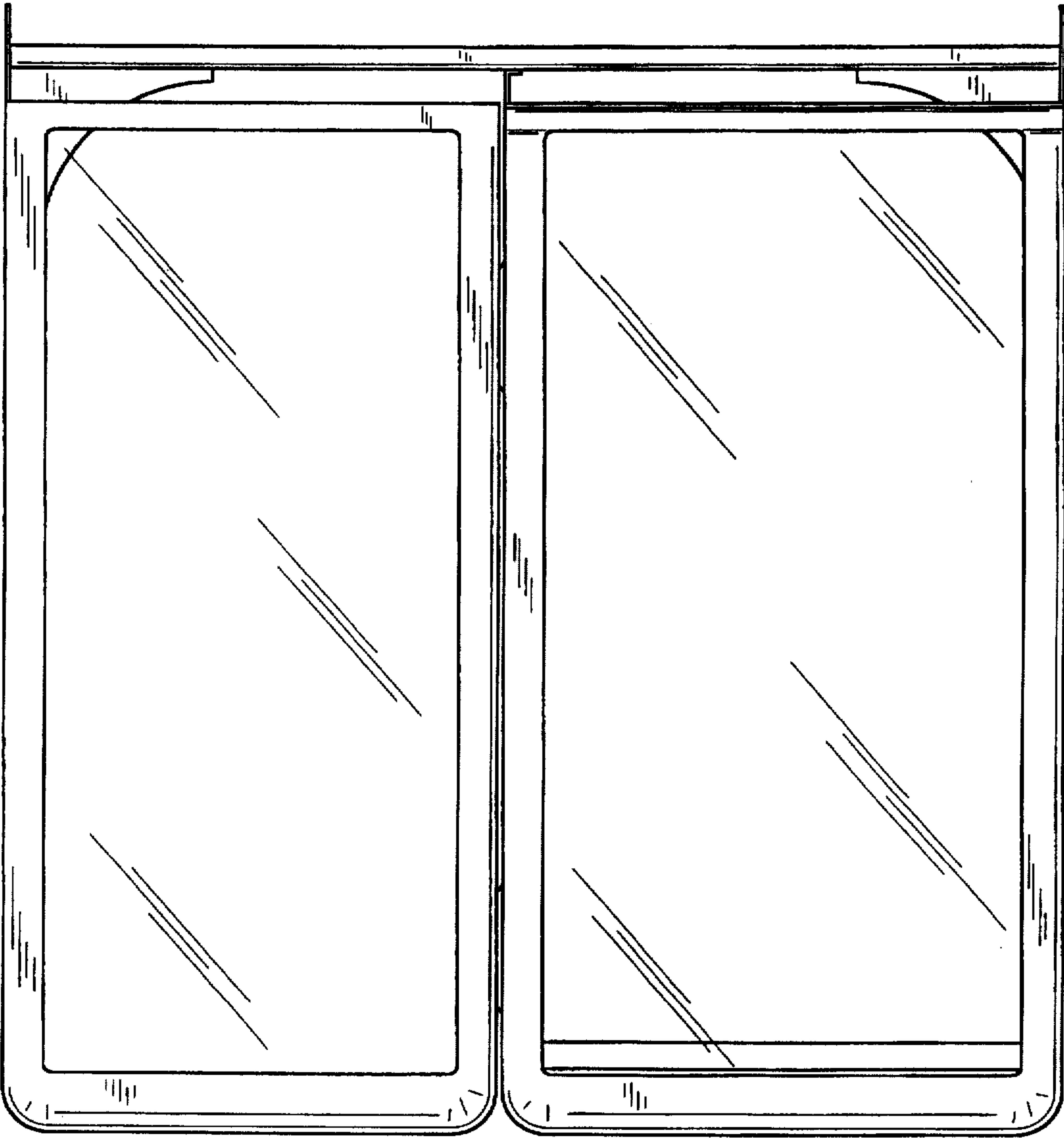


Fig.4

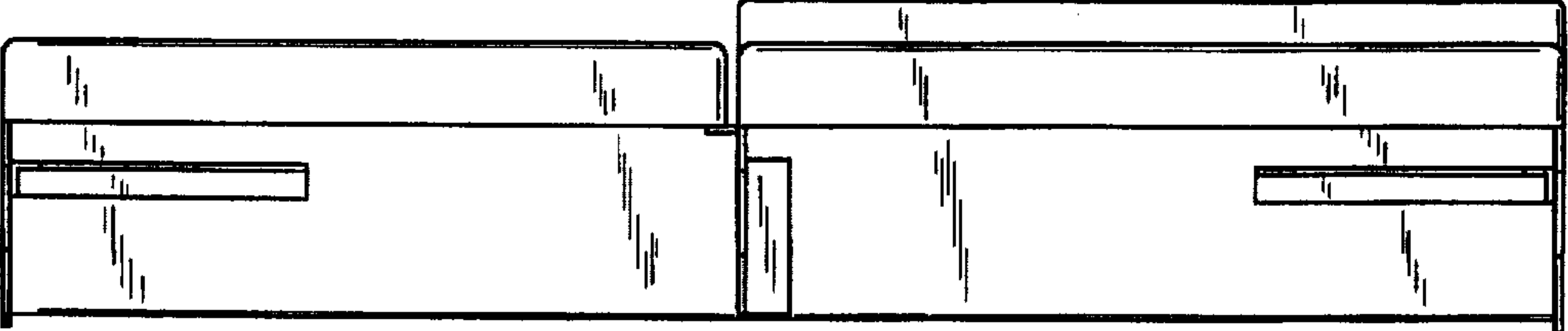


Fig.3

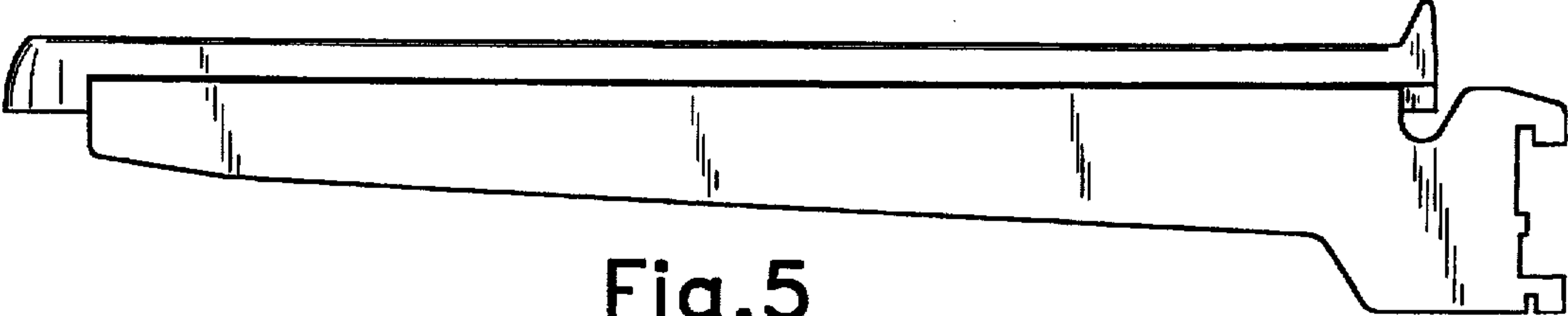


Fig.5

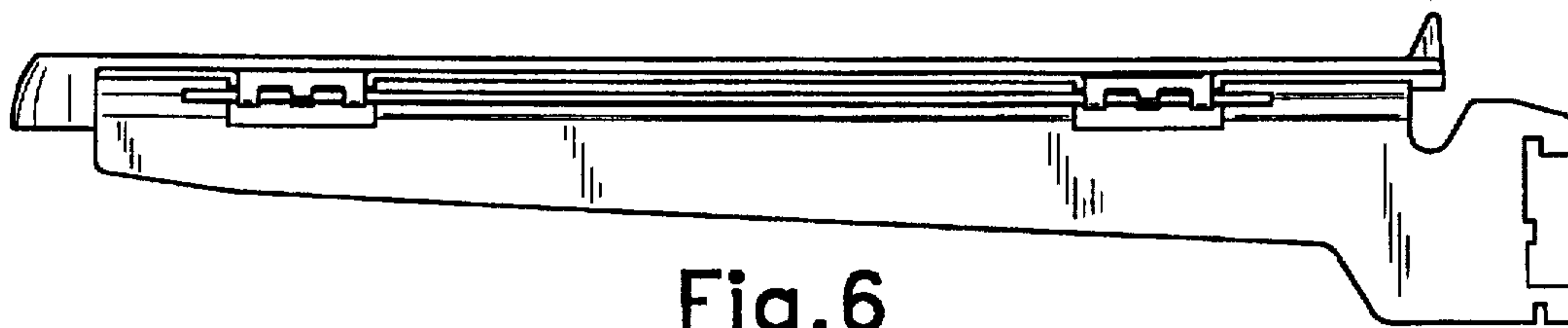


Fig. 6

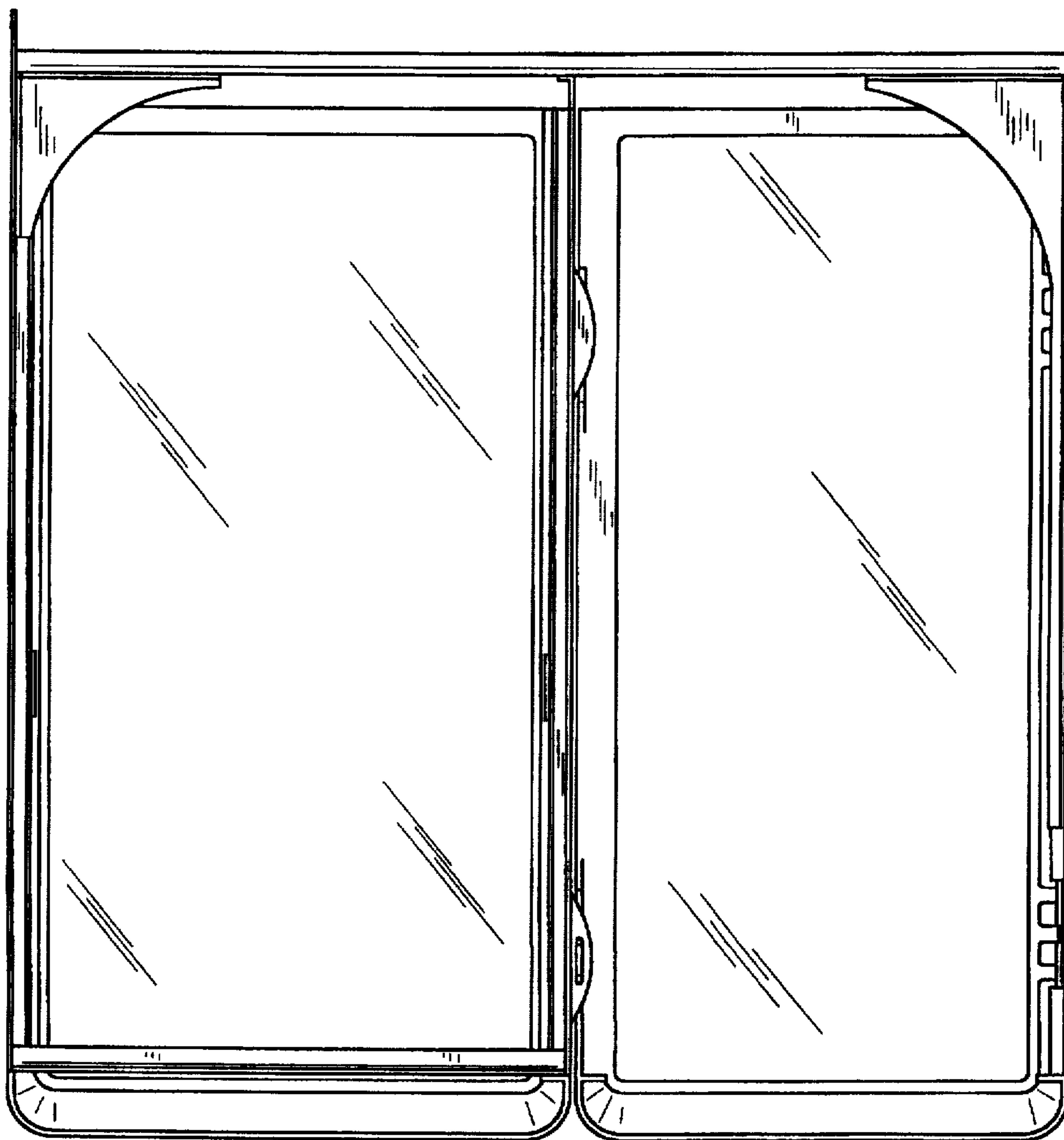


Fig. 7

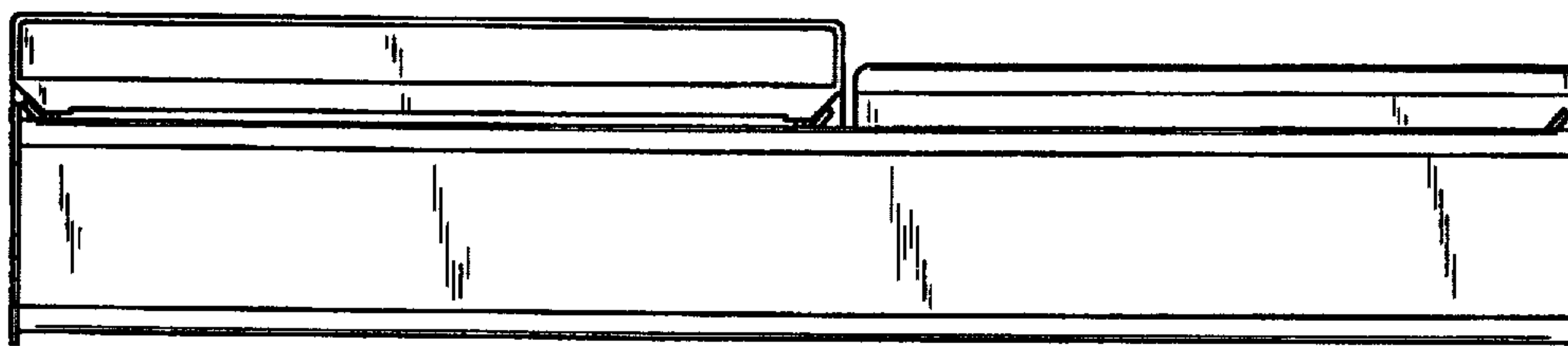


Fig. 8