



US00D387778S

United States Patent [19]

Goodman et al.

[11] Patent Number: **Des. 387,778**

[45] Date of Patent: ****Dec. 16, 1997**

[54] **PORTABLE COMPRESSOR**

[75] Inventors: **Lisa Marie Goodman**, Grayson, Ga.;
William Roger Hutchinson,
Clemmons, N.C.

[73] Assignee: **Ingersoll-Rand Company**, Woodcliff
Lake, N.J.

[**] Term: **14 Years**

[21] Appl. No.: **60,291**

[22] Filed: **Sep. 12, 1996**

[51] LOC (6) Cl. **15-01**

[52] U.S. Cl. **D15/9**

[58] Field of Search **D15/7-9.1; 417/234,**
417/360; 248/675

[56] **References Cited**

U.S. PATENT DOCUMENTS

D. 229,717	12/1973	Mixon	D15/7
D. 243,282	2/1977	Burenga	D15/9
D. 249,265	9/1978	Nanjo	D15/9
D. 352,292	11/1994	Morgan	D15/7
5,518,262	5/1996	Hutchinson et al.		

OTHER PUBLICATIONS

P100 and P125 Portable Compressor Brochure,©1992 by
Ingersoll-Rand.

P130 Thru P250, Portable Compressor Brochure,©1991 by
Ingersoll-Rand Company.

VHP300 Thru P425 Portable Compressor Brochure,©1992
by Ingersoll-Rand Company.

Fast Track XP600-P900WCU Portable Compressor Bro-
chure,©1992 by Ingersoll-Rand Company.

HP1000-P1600WCU Portable Compressor Brochure,
©1991 by Ingersoll-Rand Company.

Primary Examiner—Ralf Seifert
Attorney, Agent, or Firm—Michael M. Gnibus

[57] **CLAIM**

The ornamental design for a portable compressor, as shown
and described.

DESCRIPTION

FIG. 1 is a front, top, left side perspective view of a portable
compressor showing our new design;

FIG. 2 is a rear, top, right side perspective view thereof;

FIG. 3 is a front elevational view thereof;

FIG. 4 is a rear elevational view thereof;

FIG. 5 is a right side elevational view thereof;

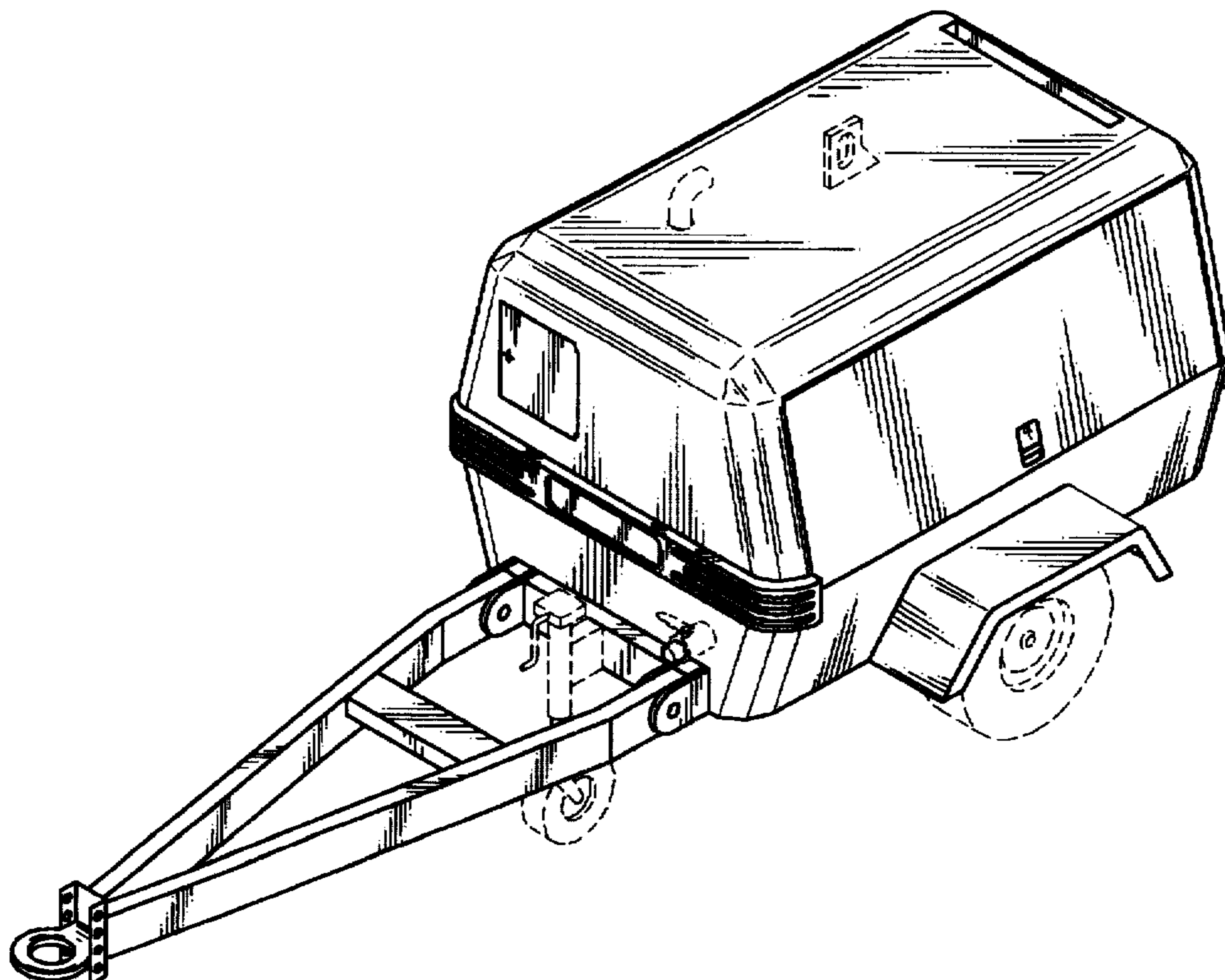
FIG. 6 is a left side elevational view thereof;

FIG. 7 is a top plan view thereof; and,

FIG. 8 is a bottom plan view thereof.

The broken line showing of elements are for illustrative
purposes only and form no part of the claimed invention.

1 Claim, 6 Drawing Sheets



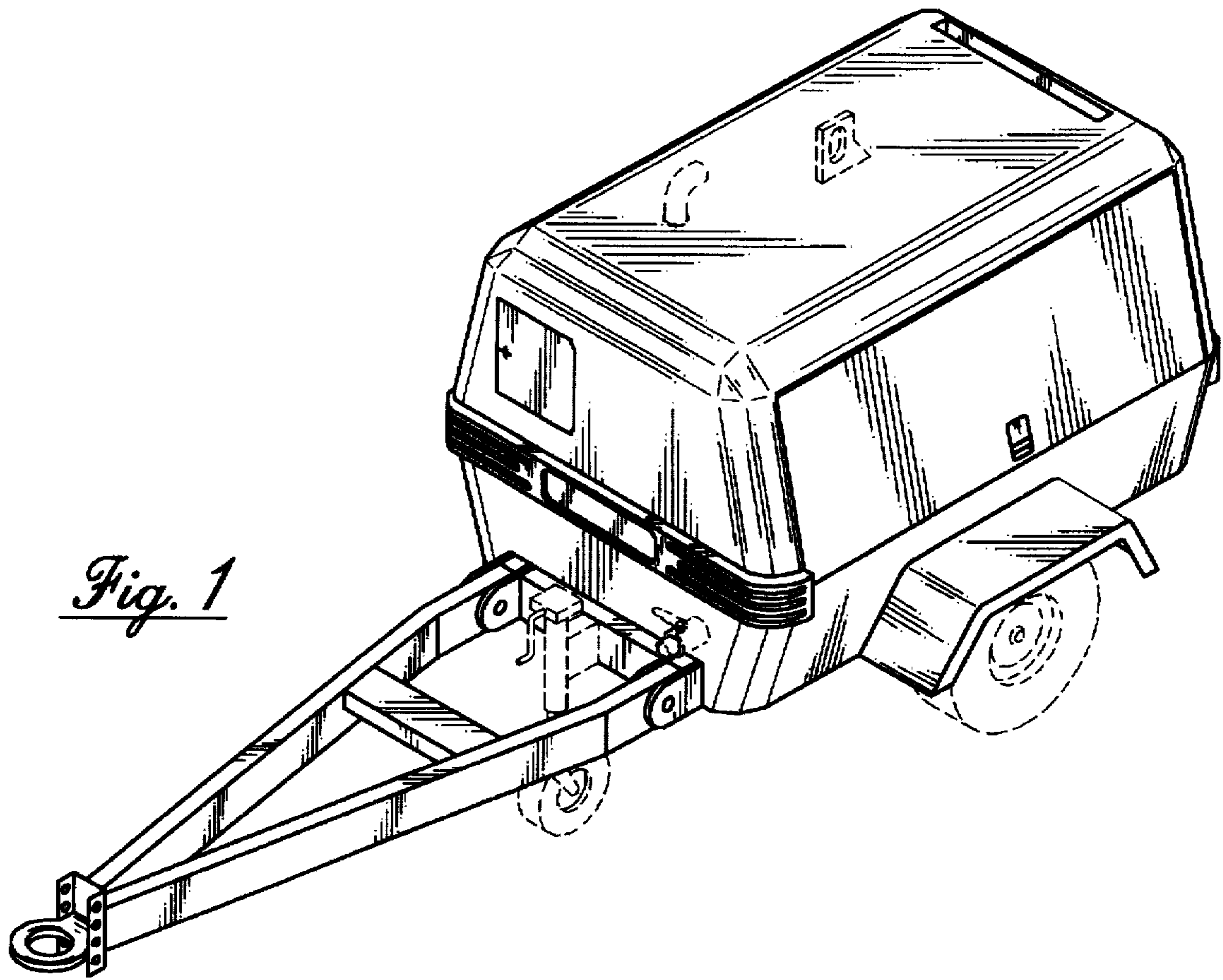


Fig. 1

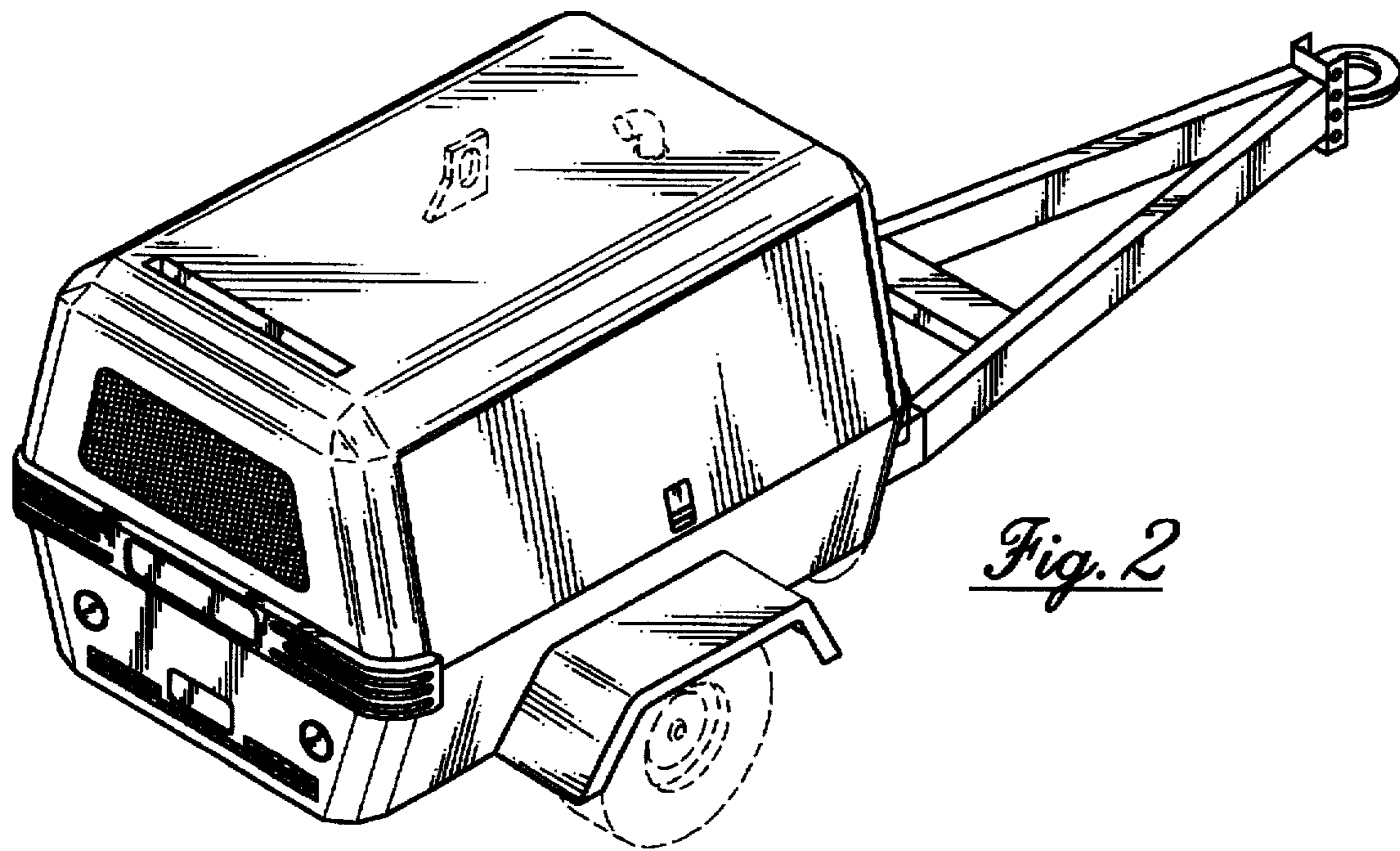


Fig. 2

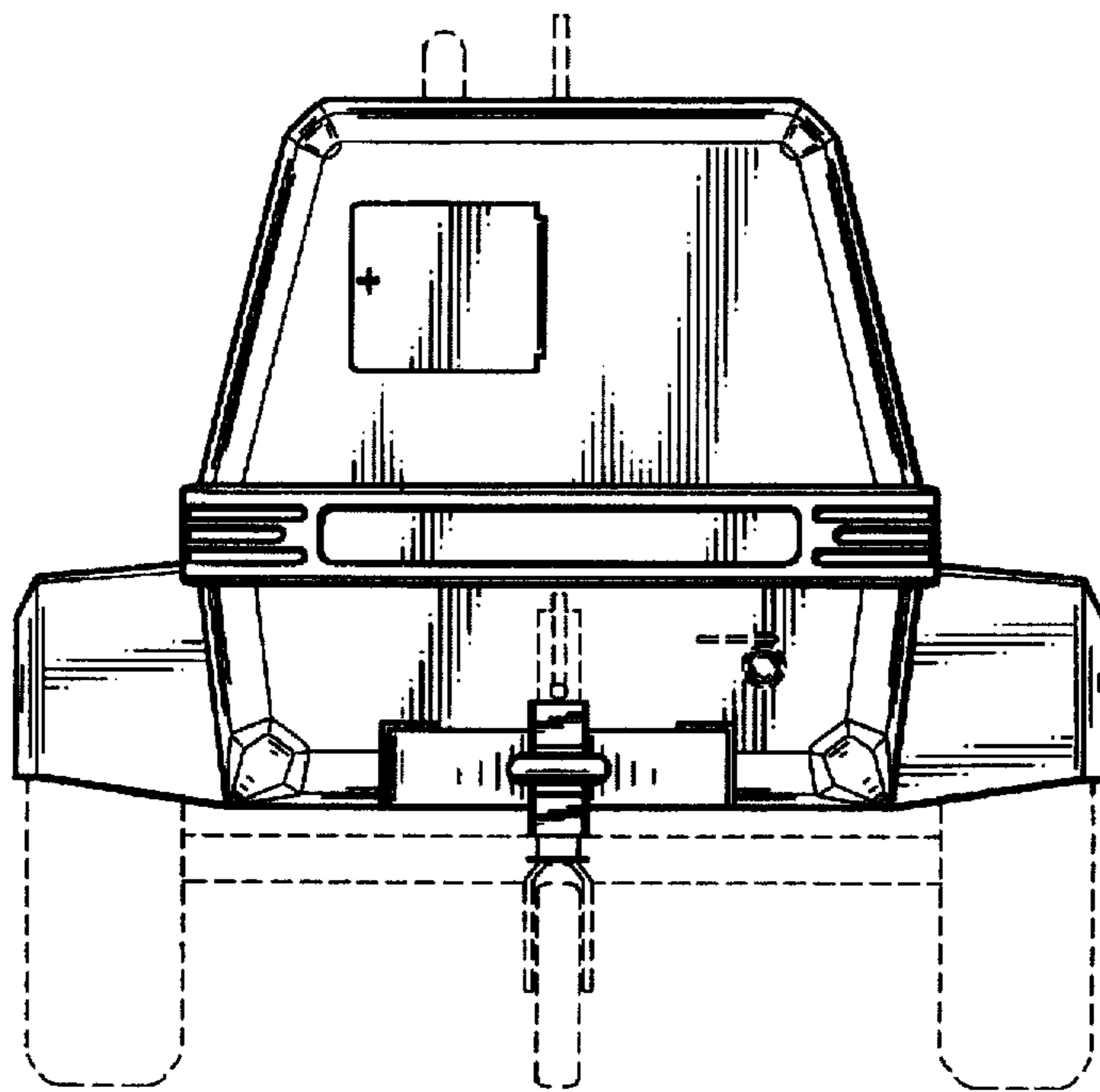


Fig. 3

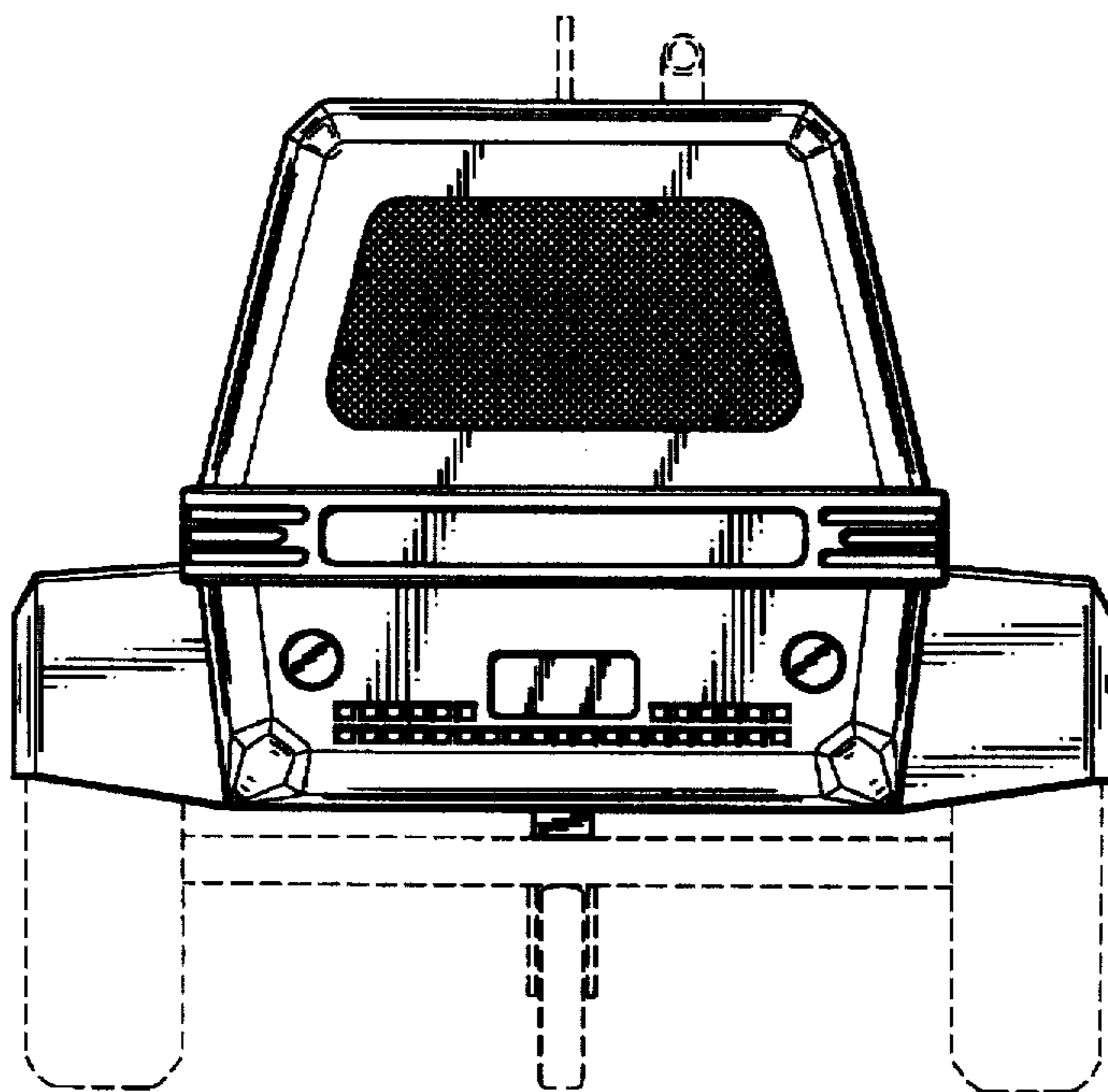


Fig. 4

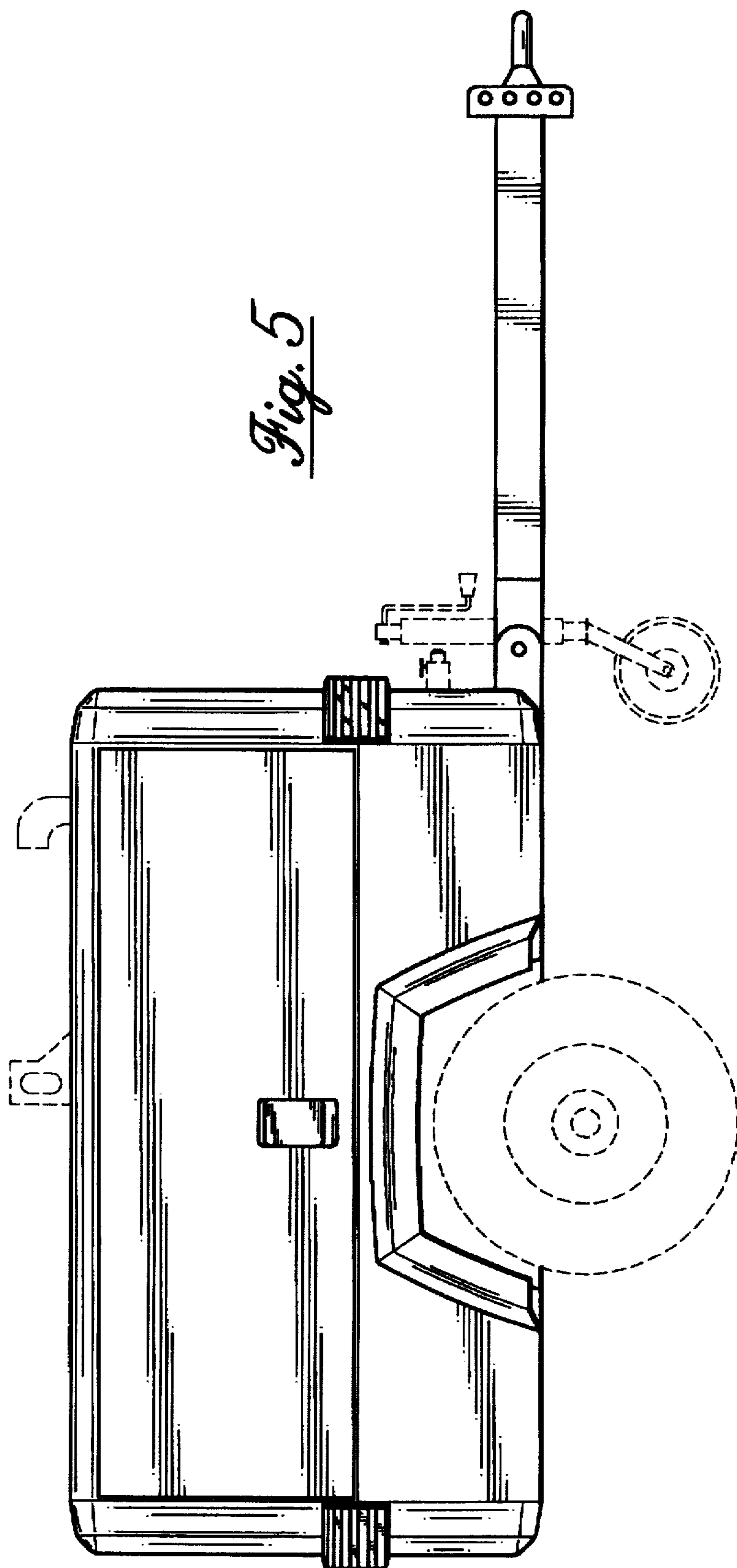


Fig. 5

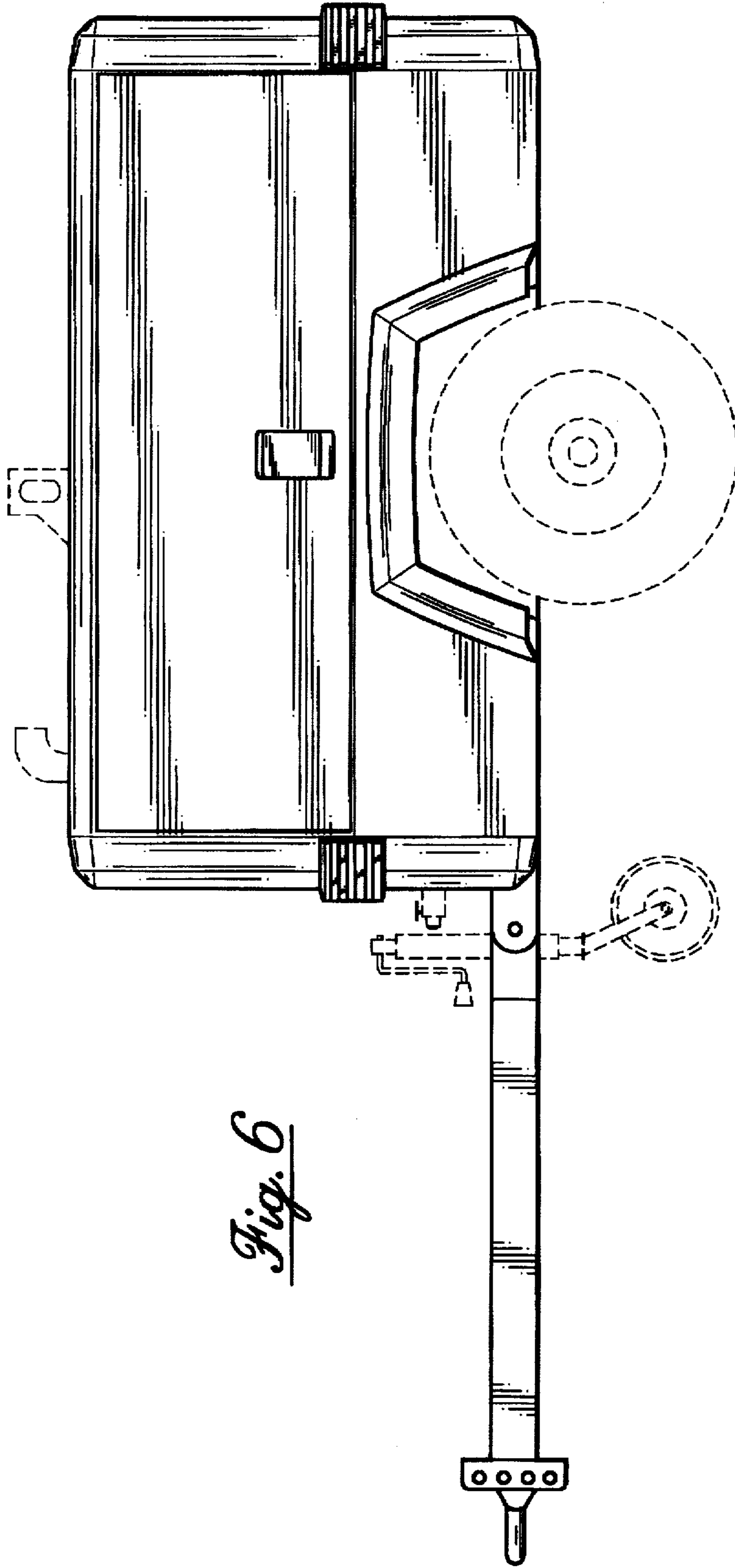


Fig. 6

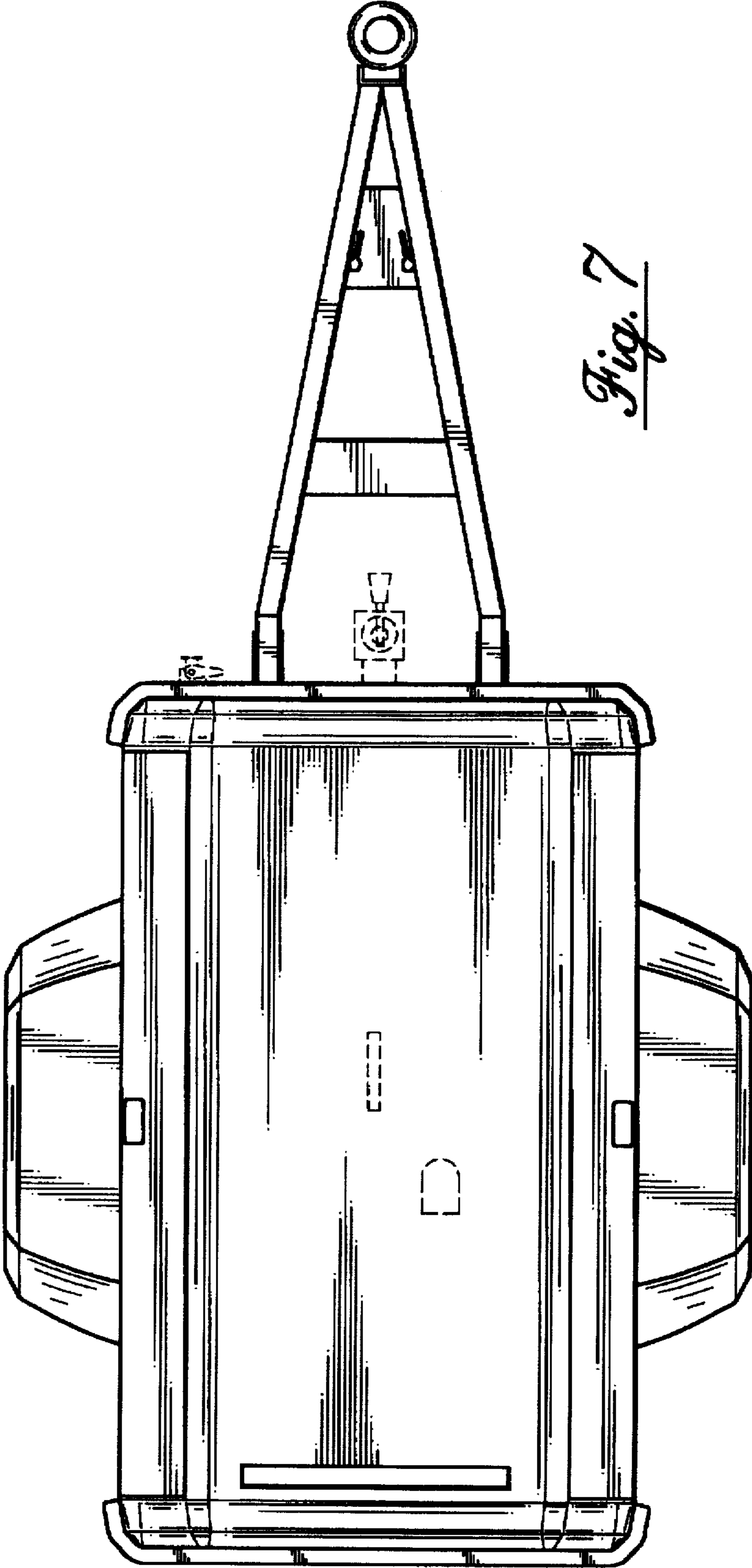


Fig. 7

