



US00D38777S

United States Patent [19] Gaffney

[11] Patent Number: Des. 387,777

[45] Date of Patent: **Dec. 16, 1997

[54] AQUARIUM PUMP

[75] Inventor: Edward F. Gaffney, Oakland, N.J.

[73] Assignee: Renaissance International, Inc.,
Pompton Plains, N.J.

[**] Term: 14 Years

[21] Appl. No.: 60,423

[22] Filed: Sep. 27, 1996

[51] LOC (6) Cl. 15-02

[52] U.S. Cl. D15/8

[58] Field of Search D177-8; 210/416.2,
210/169

[56] References Cited

U.S. PATENT DOCUMENTS

D. 215,765	10/1969	Levin	D15/8
D. 217,886	6/1970	Itakura	D15/8
D. 247,435	3/1978	Willinger et al.	D15/8
D. 247,436	3/1978	Willinger et al.	D15/8
D. 353,652	12/1994	Maryanski	D15/8
367,151	2/1887	Duke et al.	D15/8
4,620,924	11/1986	Goldman et al.	210/416.2

OTHER PUBLICATIONS

Advertisement, Silent Air Aquarium Pumps, Penn-Plax, Inc., No Date.

Advertisement, Undergravel Filters, Perfecto Manufacturing, No Date.

Advertisement, Twelve Model Are Available Through All Leading Pet Shop Distributors, Tetra/Second Nature, No Date.

Advertisement, Elite-Maxima-Optima, No Date.

Advertisement, Force 1 & 2, No Date.

Advertisement, The Heart of Your Show case, No Date.

Advertisement, "The Pump", No Date.

Primary Examiner—Ralf Seifert

Attorney, Agent, or Firm—William H. Murray; Robert E. Rosenthal

[57] CLAIM

The ornamental design for an aquarium pump, as shown and described.

DESCRIPTION

FIG. 1 is a perspective view of an aquarium pump showing my new design;

FIG. 2 is a top plan view thereof;

FIG. 3 is a bottom plan view thereof;

FIG. 4 is a front elevational view thereof;

FIG. 5 is a rear elevational view thereof;

FIG. 6 is a left side elevational view thereof;

FIG. 7 is a right side elevational view thereof;

FIG. 8 is a perspective view of an aquarium pump showing a second embodiment of my new design;

FIG. 9 is a top plan view of FIG. 8;

FIG. 10 is a bottom plan view of FIG. 8;

FIG. 11 is a front elevational view of FIG. 8;

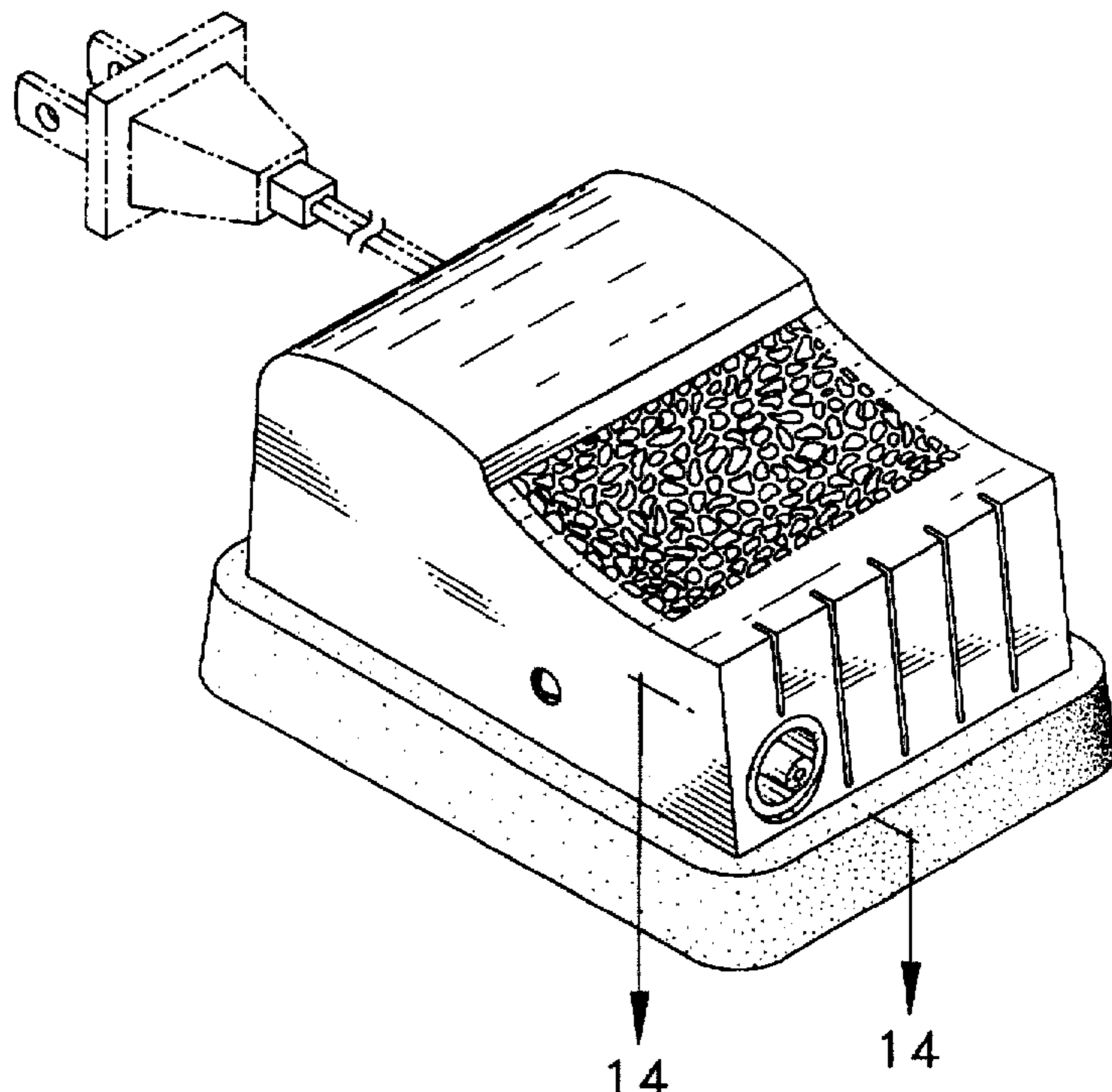
FIG. 12 is a rear elevational view of FIG. 8;

FIG. 13 is a left side elevational view of FIG. 8, the right side elevational view being a mirror image; and,

FIG. 14 is a partial cross section taken along line 14—14 of FIG. 1, cross sectional views of the two similar recesses shown in FIG. 8 being identical to the view of FIG. 14.

The broken line showing of a power cord is for illustrative purposes only and forms no part of the claimed design.

1 Claim, 8 Drawing Sheets



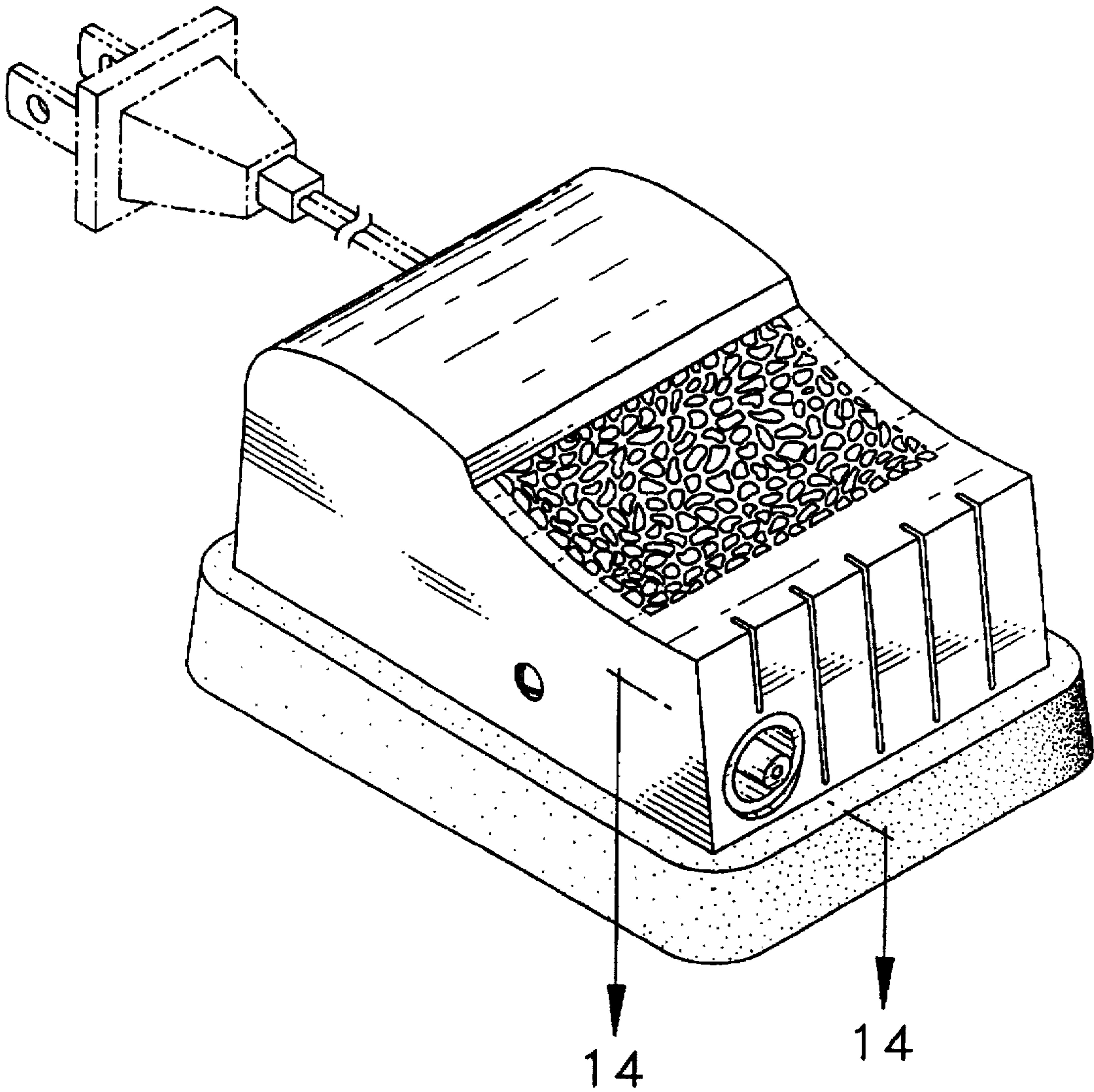


FIG. 1

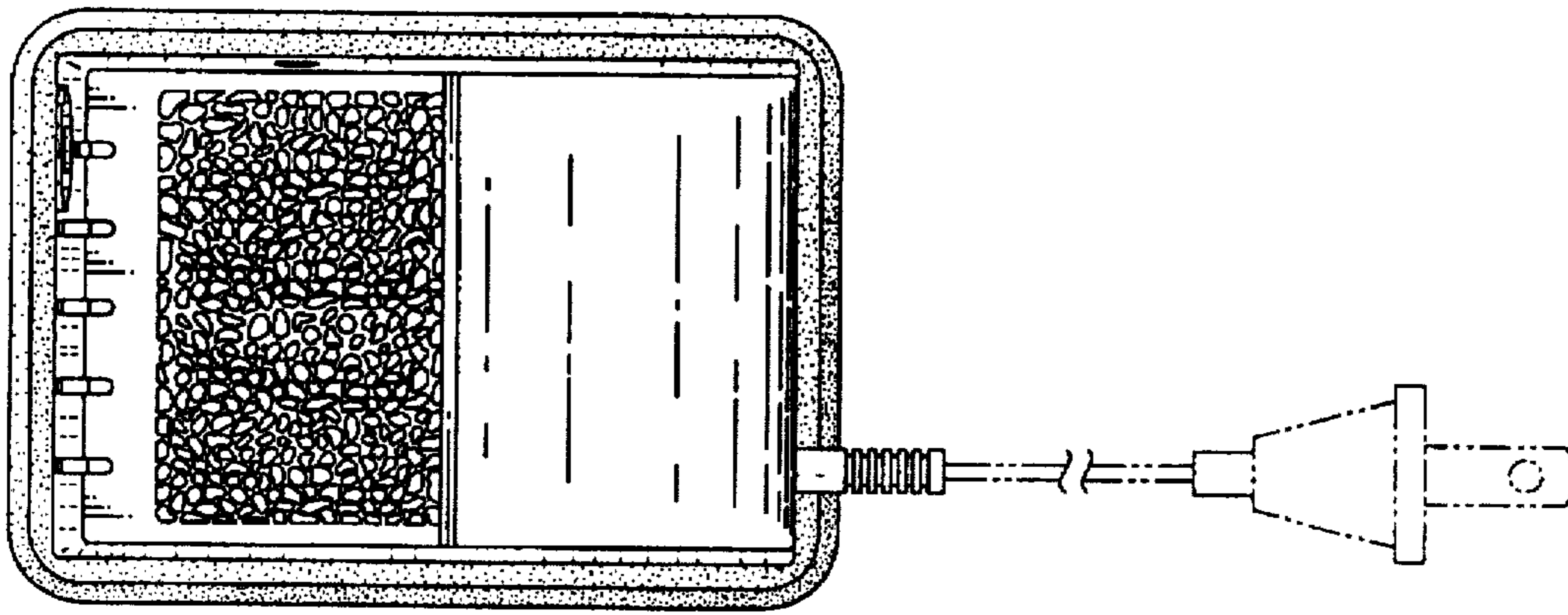


FIG. 2

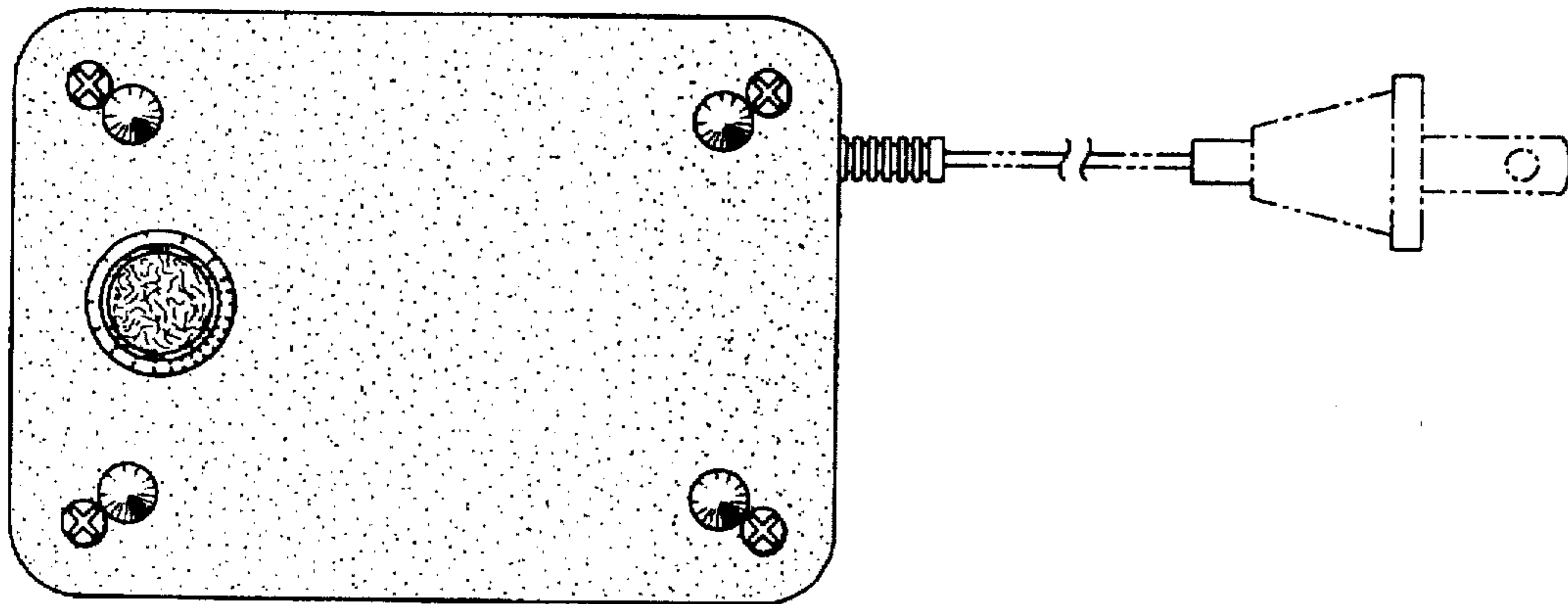


FIG. 3

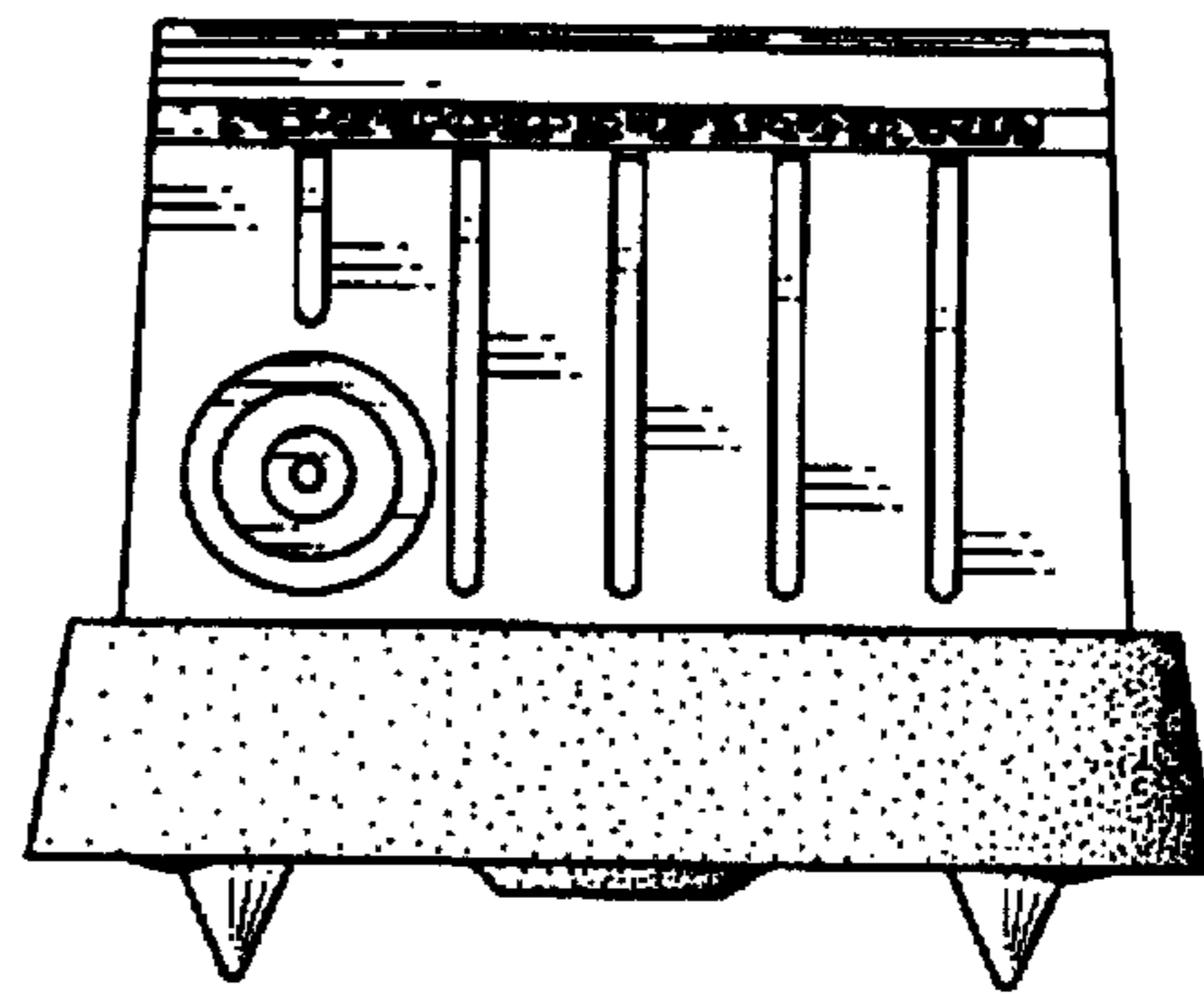


FIG. 4

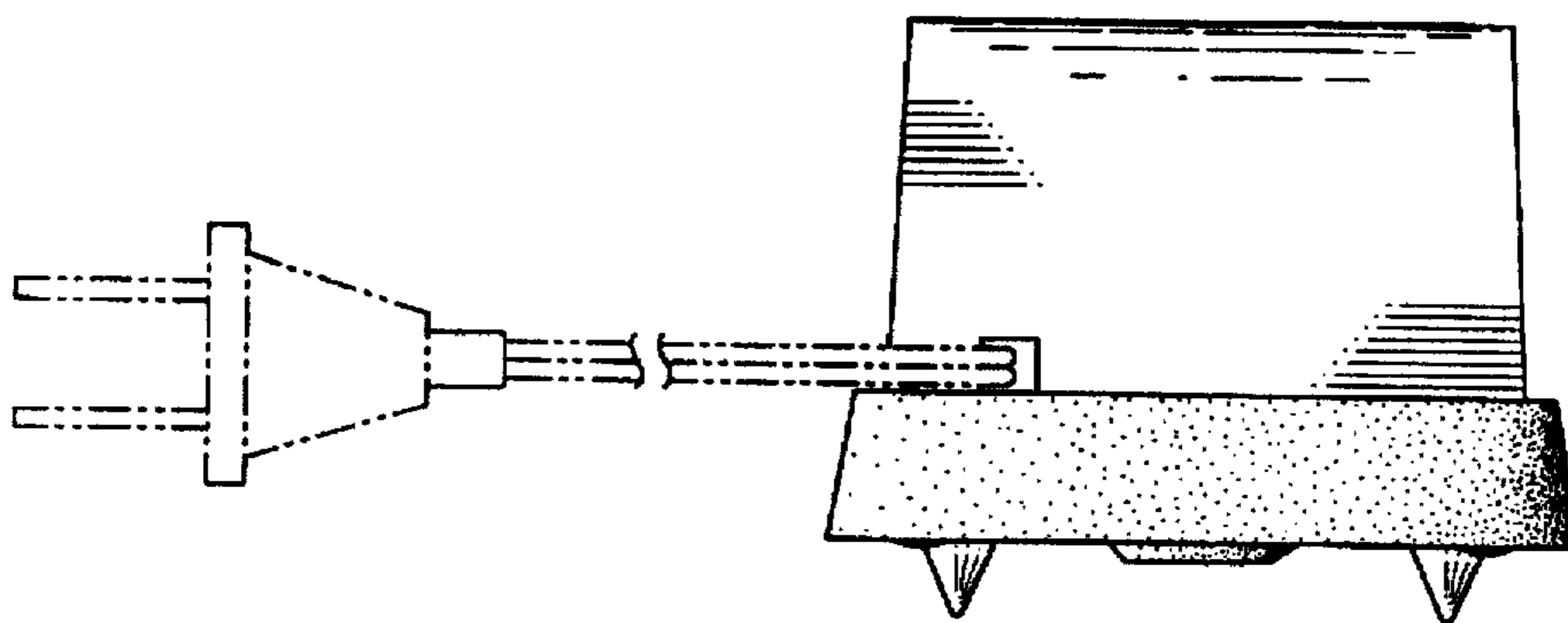


FIG. 5

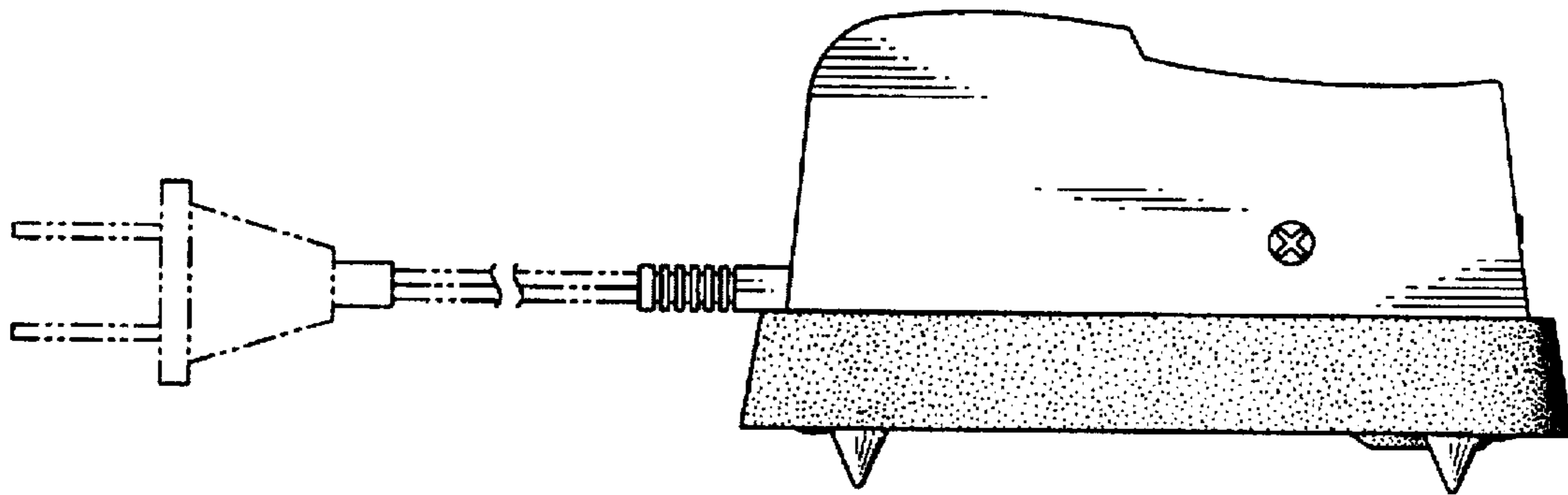


FIG. 6

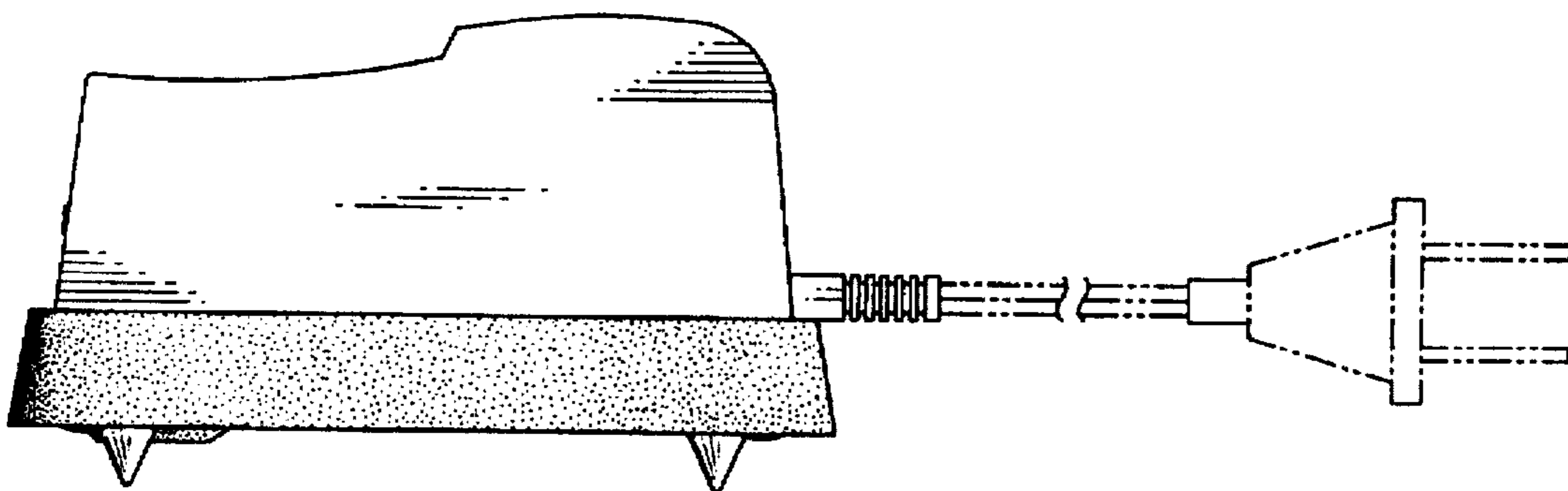


FIG. 7

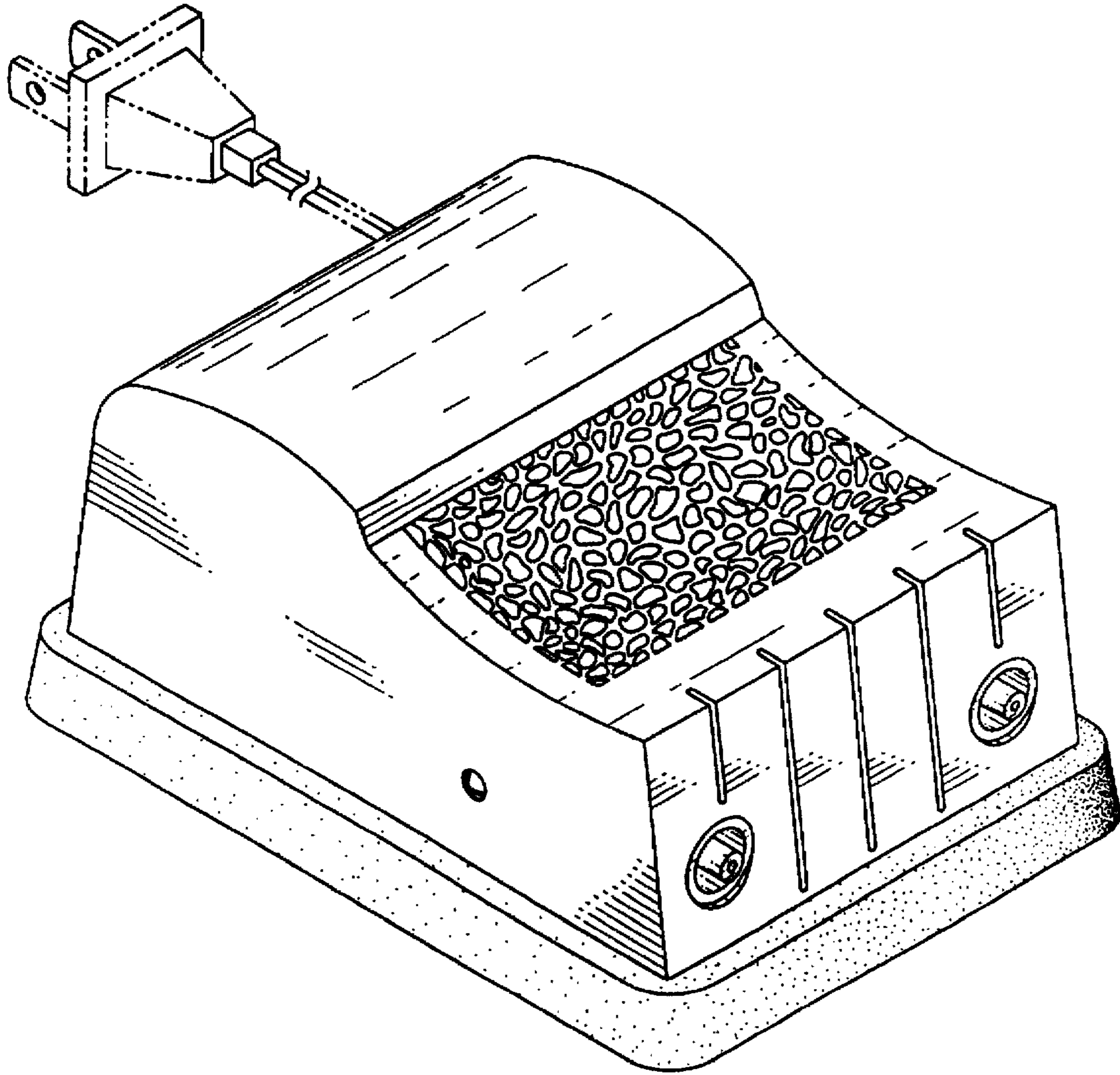


FIG. 8

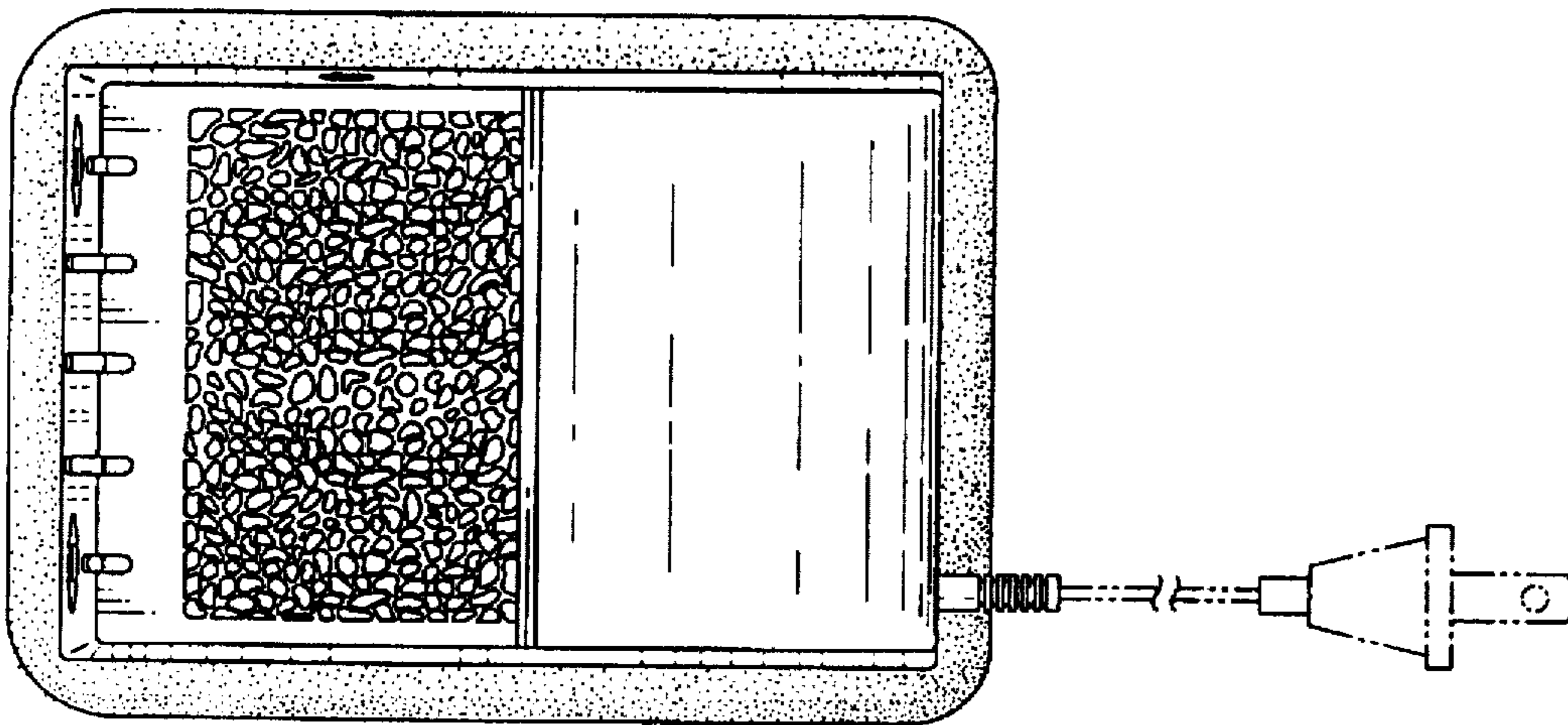


FIG. 9

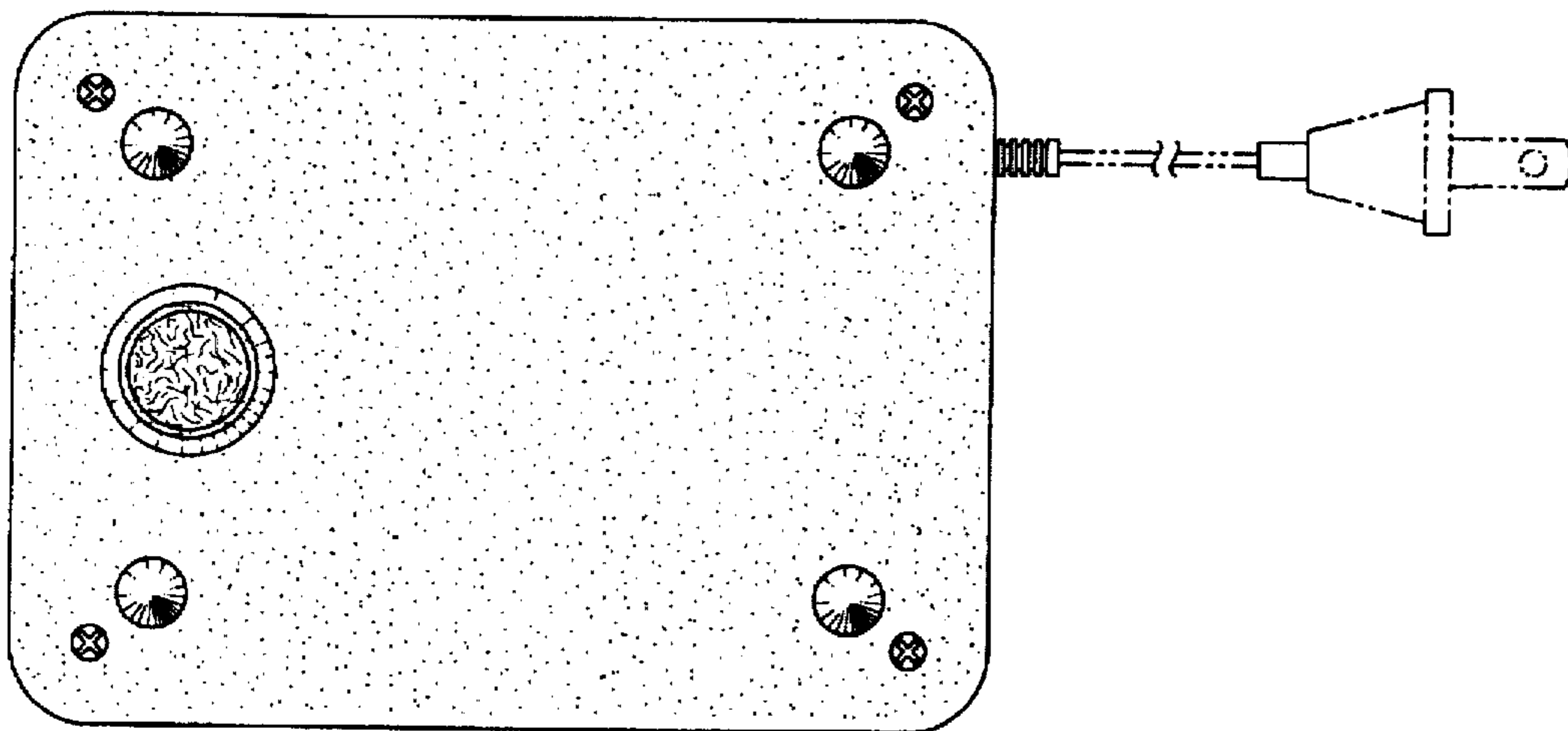


FIG. 10

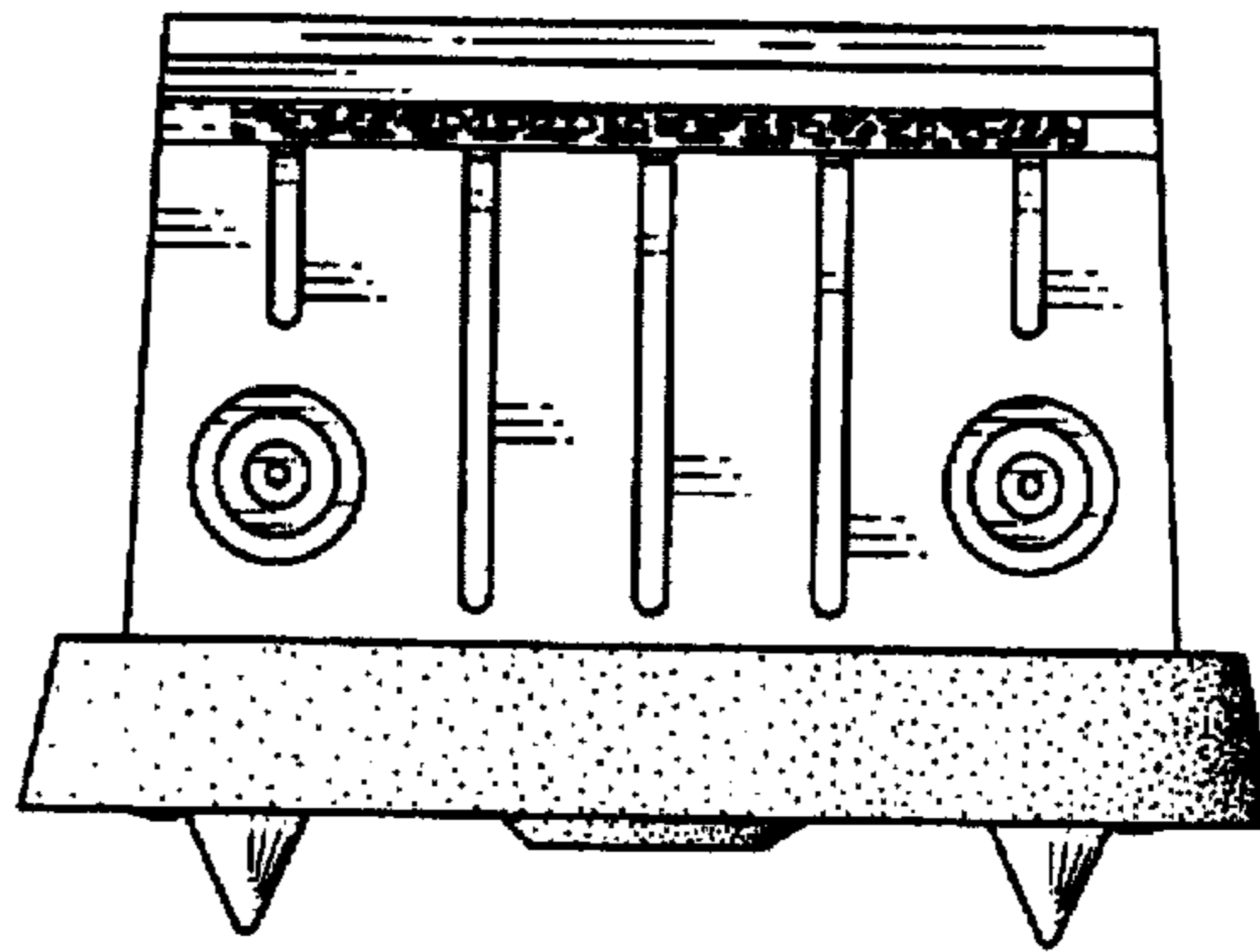


FIG. 11

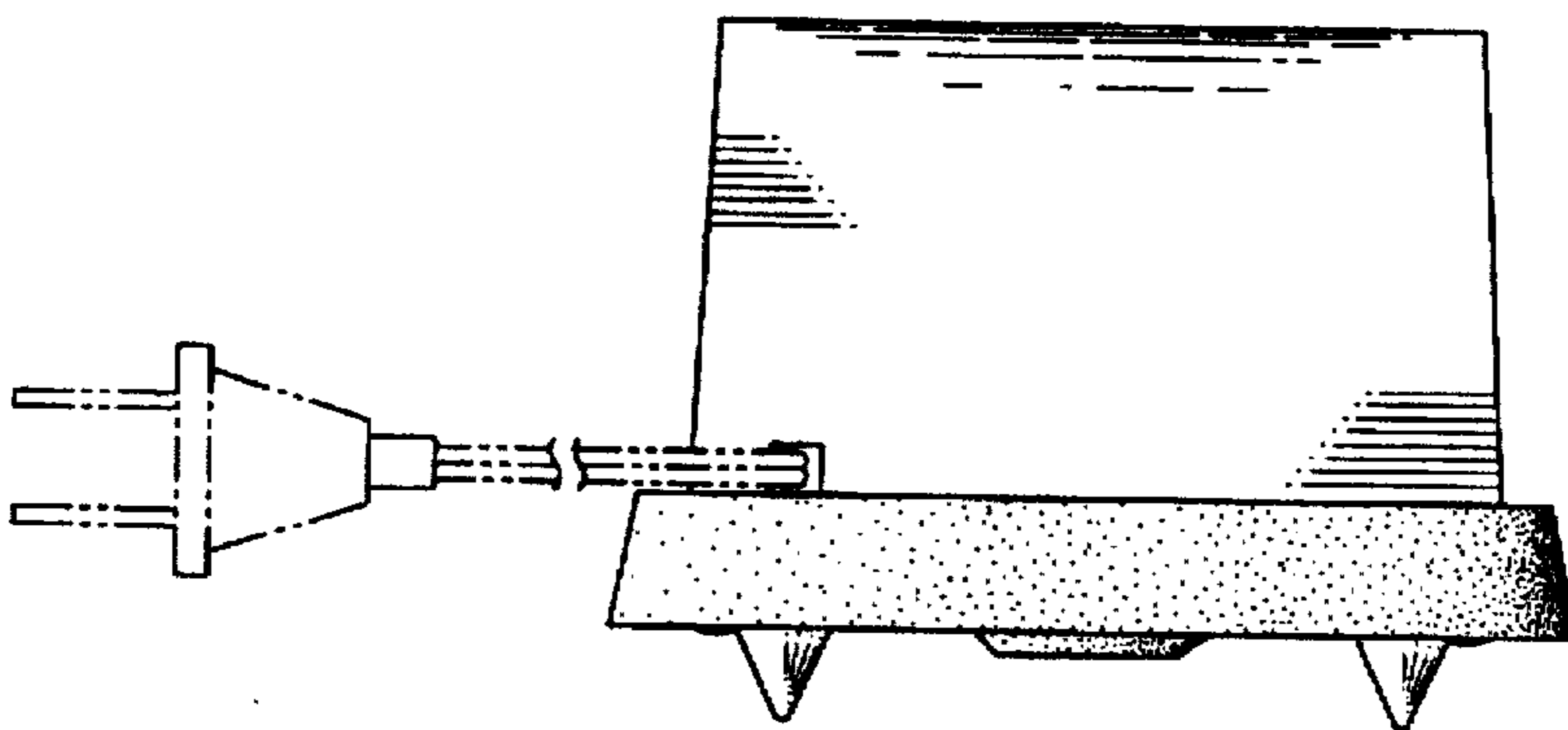


FIG. 12

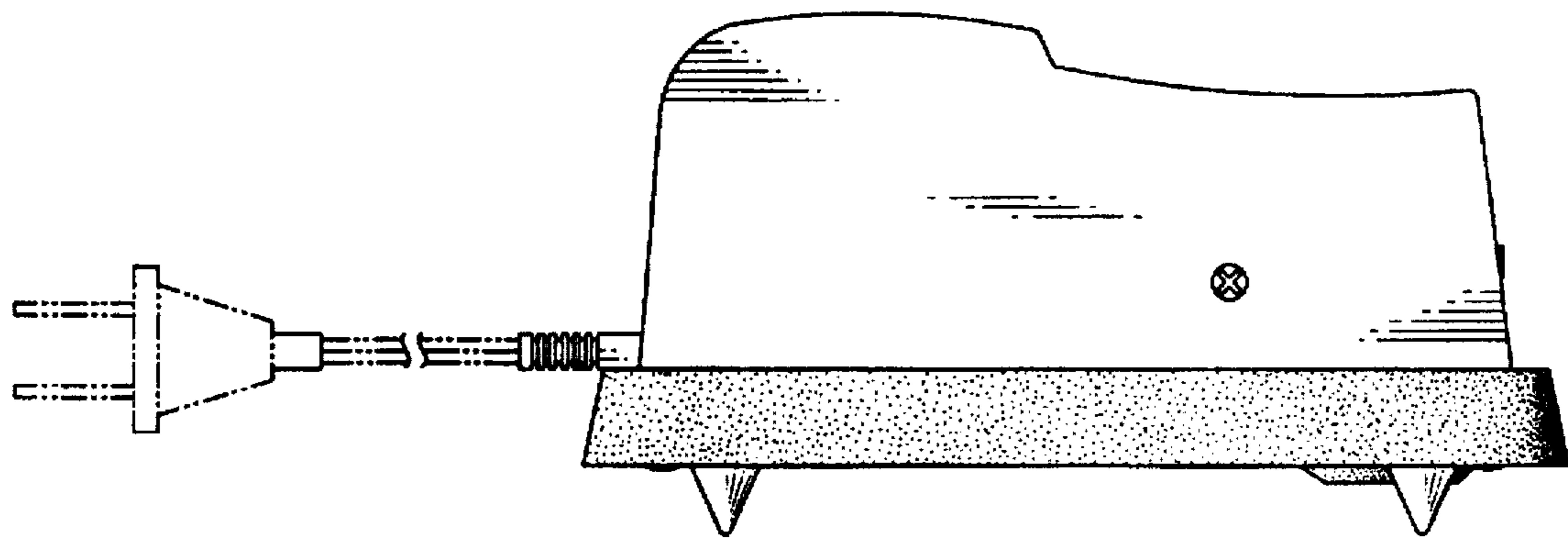


FIG. 13

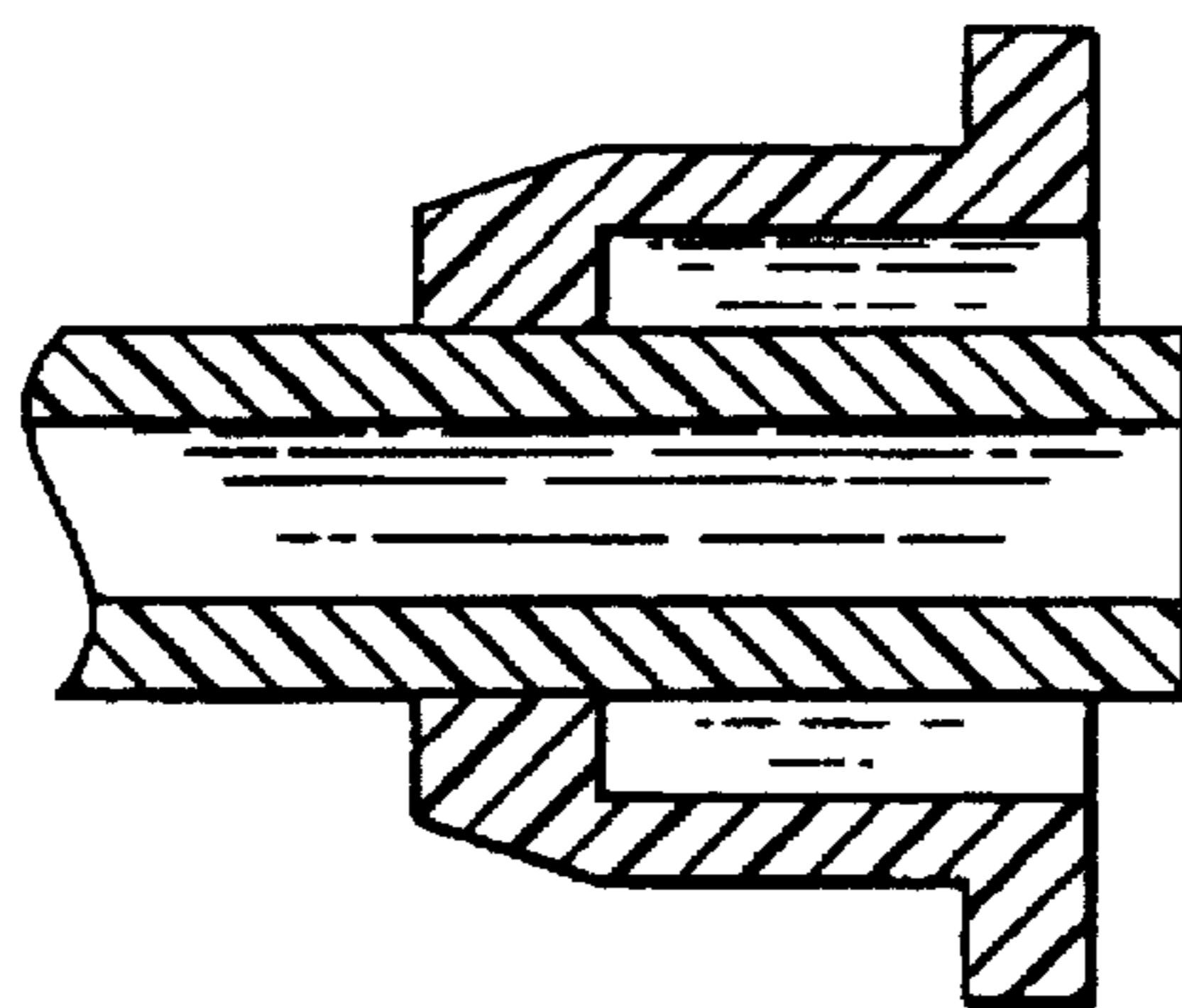


FIG. 14