



US00D387773S

United States Patent [19]

Weller et al.

[11] Patent Number: **Des. 387,773**

[45] Date of Patent: ****Dec. 16, 1997**

[54] **SATELLITE DISH PROTECTIVE VISOR**

[76] Inventors: **Roger G. Weller**, 28 Chapman St., Willimantic, Conn. 06226-3108; **Jan P. Hyjek**, 24 Booth Rd., Enfield, Conn. 06082

[**] Term: **14 Years**

[21] Appl. No.: **61,653**

[22] Filed: **Oct. 28, 1996**

[51] LOC (6) Cl. **14-03**

[52] U.S. Cl. **D14/231**

[58] Field of Search **D14/230-238; D2/860; D29/108-110, 100; 343/878, 882, 840, 841, 781 P; D24/130; D28/9; D12/181, 190, 191; D8/354, 8, 346, 14**

[56] **References Cited**

U.S. PATENT DOCUMENTS

D. 29,162	8/1898	Buren	D2/860
D. 31,395	8/1899	Geraghty	D29/108
D. 210,002	1/1968	Zahn	D29/110
D. 227,235	6/1973	Miller	D8/354
D. 244,096	4/1977	Pizon	D14/230
D. 254,520	3/1980	Amirault	D29/109
D. 287,300	12/1986	Lonnstedt	D29/110
D. 305,334	1/1990	Marr	D14/230

D. 341,563	11/1993	Niemi	D12/191
D. 373,712	9/1996	Bridgers	D8/8
3,029,431	4/1962	Miller	D14/231 X
3,922,682	11/1975	Hyde	343/840 X
4,058,812	11/1977	Stanislaw	343/781 P X
4,574,287	3/1986	Waters	343/781 P X

Primary Examiner—Jeffrey Asch
Attorney, Agent, or Firm—Ira S. Dorman

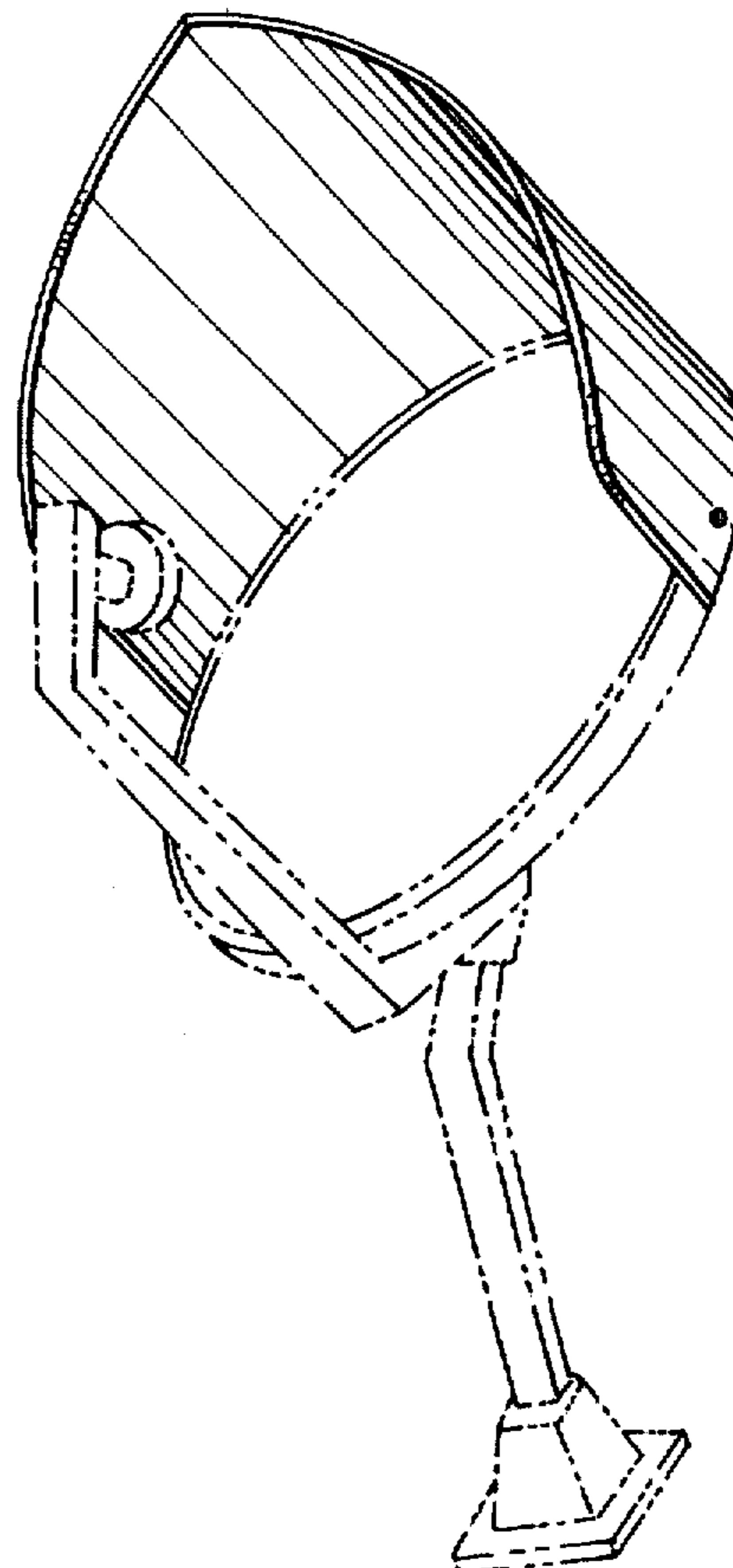
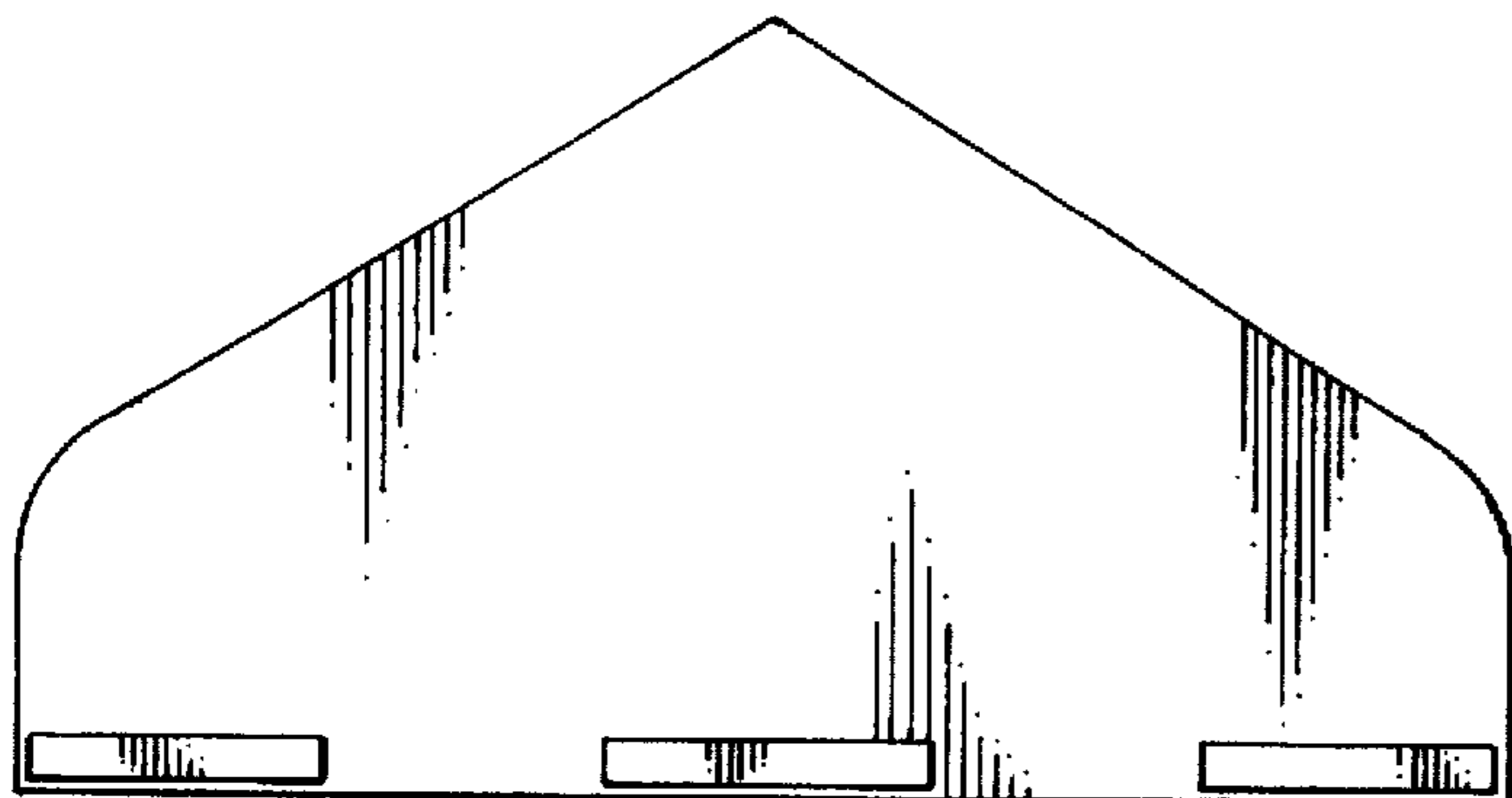
[57] **CLAIM**

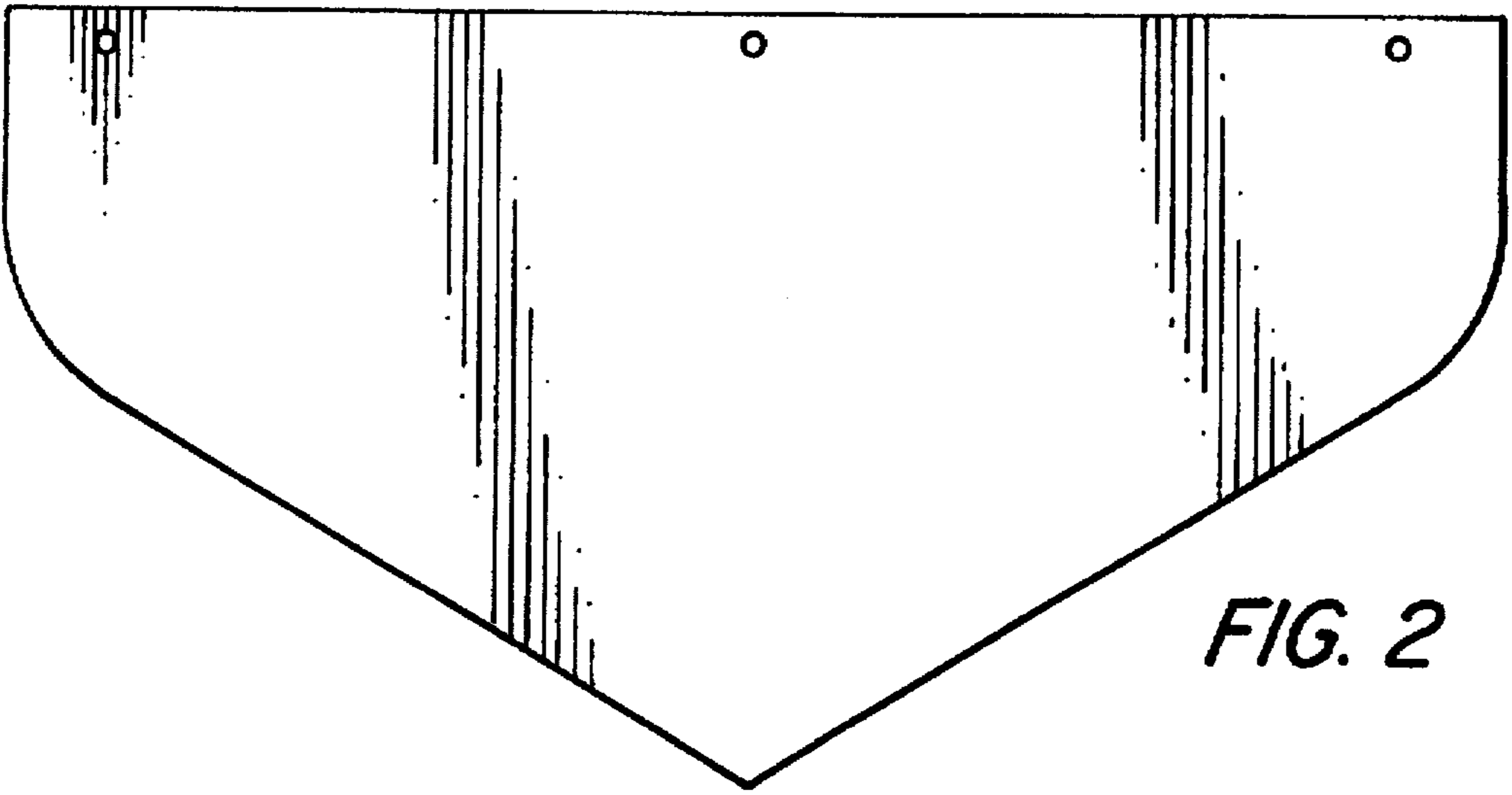
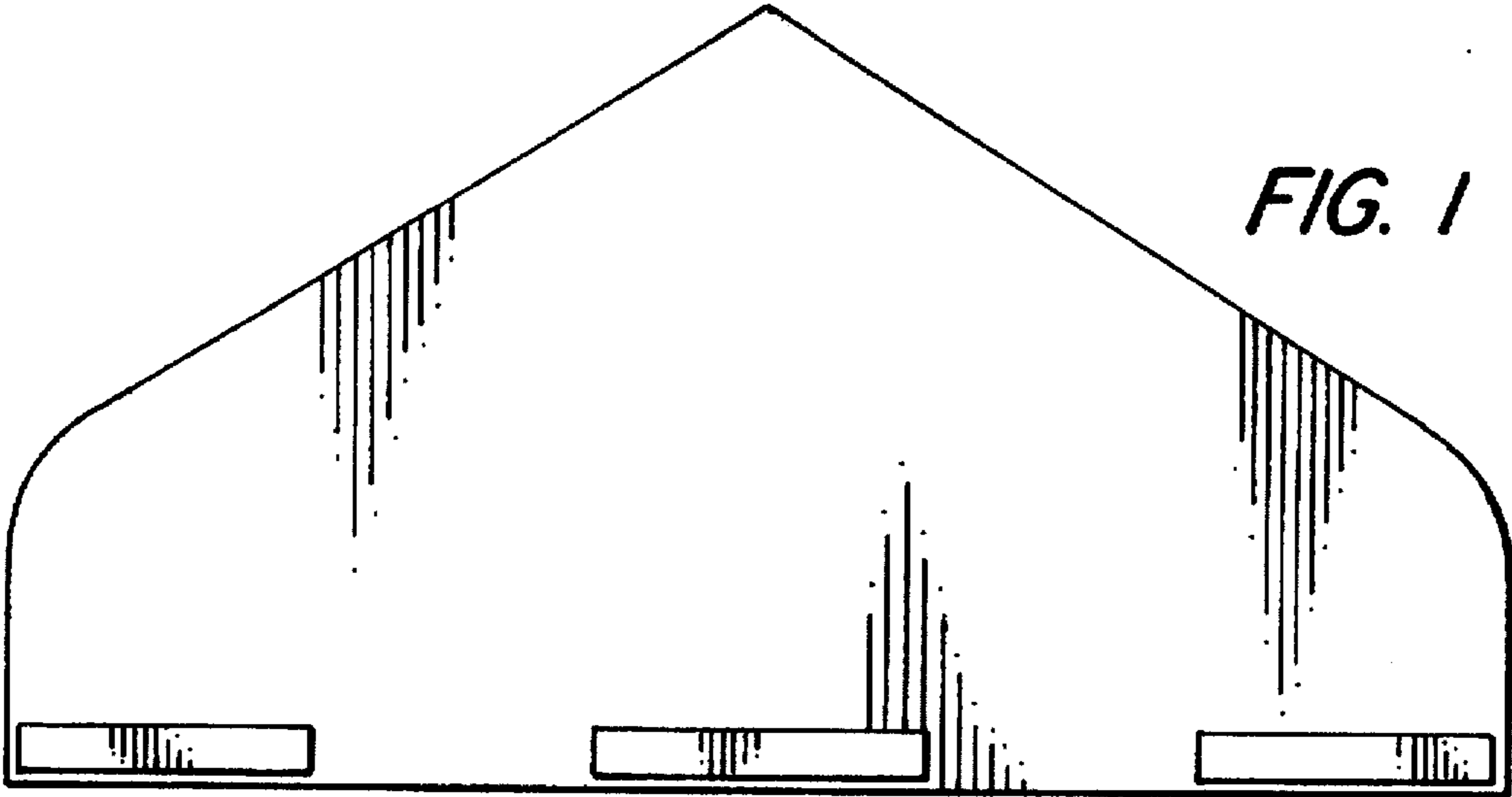
The ornamental design for a satellite dish protective visor, as shown and described.

DESCRIPTION

FIG. 1 is a bottom view of a satellite dish protective visor showing our new design;
 FIG. 2 is a top plan view;
 FIG. 3 is an end view;
 FIG. 4 is a side elevational view, the opposite side being a mirror image;
 FIG. 5 is an end view taken from the opposite end of FIG. 3; and,
 FIG. 6 is a front perspective view, showing the claimed design mounted upon a satellite dish. The broken lines shown are for illustrative purposes only, and form no part of the claimed design.

1 Claim, 2 Drawing Sheets





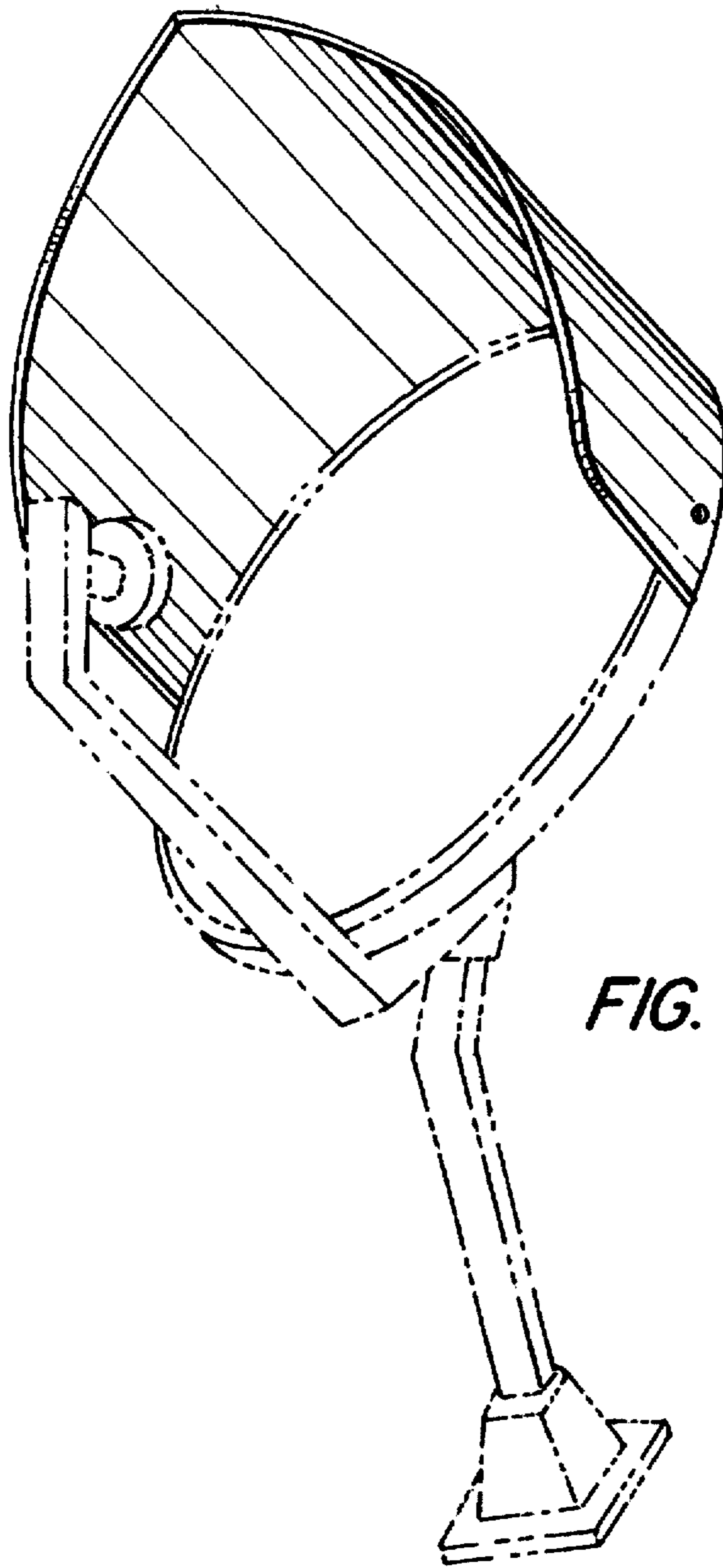


FIG. 6



FIG. 4

FIG. 5

