



US00D387772S

United States Patent [19] Steinberg

[11] Patent Number: Des. 387,772

[45] Date of Patent: **Dec. 16, 1997

[54] ANTENNA TOPPER

[76] Inventor: Dale A. Steinberg, 1140 Venice Blvd.
#105, Venice, Calif. 90291

[**] Term: 14 Years

[21] Appl. No.: 53,939

[22] Filed: May 2, 1996

[51] LOC (6) Cl. 14-03

[52] U.S. Cl. D21/230; D21/204

[58] Field of Search D14/230-238;
D21/51, 204; D20/21, 84, 29; D3/4, 17,
211; D11/166, 147, 181, 131; 116/173,
26 R; 343/720, 713, 715; D19/42, 44; D1/118,
104, 111, 106; 428/542.4, 11, 31; 248/539;
D9/307; 273/273

[56] References Cited

U.S. PATENT DOCUMENTS

D. 65,512	8/1924	Worstell	D21/84
D. 151,599	11/1948	Colm	D21/51 X
D. 220,559	4/1971	Hight	D20/41
D. 264,064	4/1982	Ormatek	D11/166
D. 286,944	12/1986	Saladino et al.	D1/118 X
D. 319,008	8/1991	Leon	D21/204 X
D. 339,384	9/1993	Seifan	D21/51 X
D. 357,500	4/1995	Mutterperl	D19/42 X
D. 361,811	8/1995	Grimm et al.	D21/204
D. 368,476	4/1996	Deleon	D14/231
D. 369,544	5/1996	Culliss	D21/204 X

D. 370,154	5/1996	Gruniesen, III	D9/307 X
723,781	3/1903	Nickett	D11/147 X
2,121,317	6/1938	Cohen	116/28 R
2,244,921	6/1941	Roth	273/273
2,665,095	1/1954	Hostettler	248/539
2,815,732	12/1957	Majors	116/28 R
3,320,920	5/1967	Lusebrink	116/28 R
3,433,203	3/1969	Sharkey et al.	116/28 R
3,615,596	10/1971	Petti	D19/42 X
3,933,117	1/1976	Maietta	116/173 X
4,454,204	6/1984	Posey	428/542.4
4,978,964	12/1990	Castille	343/720 X
5,572,225	11/1996	McCarthy	343/720

Primary Examiner—Jeffrey Asch

[57] CLAIM

The ornamental design for a antenna topper, as shown and described.

DESCRIPTION

FIG. 1 is a front elevational view of the antenna topper showing my new design;

FIG. 2 is a rear elevational view thereof;

FIG. 3 is a left side elevational view thereof;

FIG. 4 is a right side elevational view thereof;

FIG. 5 is a top plan view thereof; and,

FIG. 6 is a cross sectional view thereof as viewed along the line 6—6 shown in FIG. 5.

The broken line showings of FIGS. 1-5 are for illustrative purposes only and form no part of the claimed design.

1 Claim, 3 Drawing Sheets

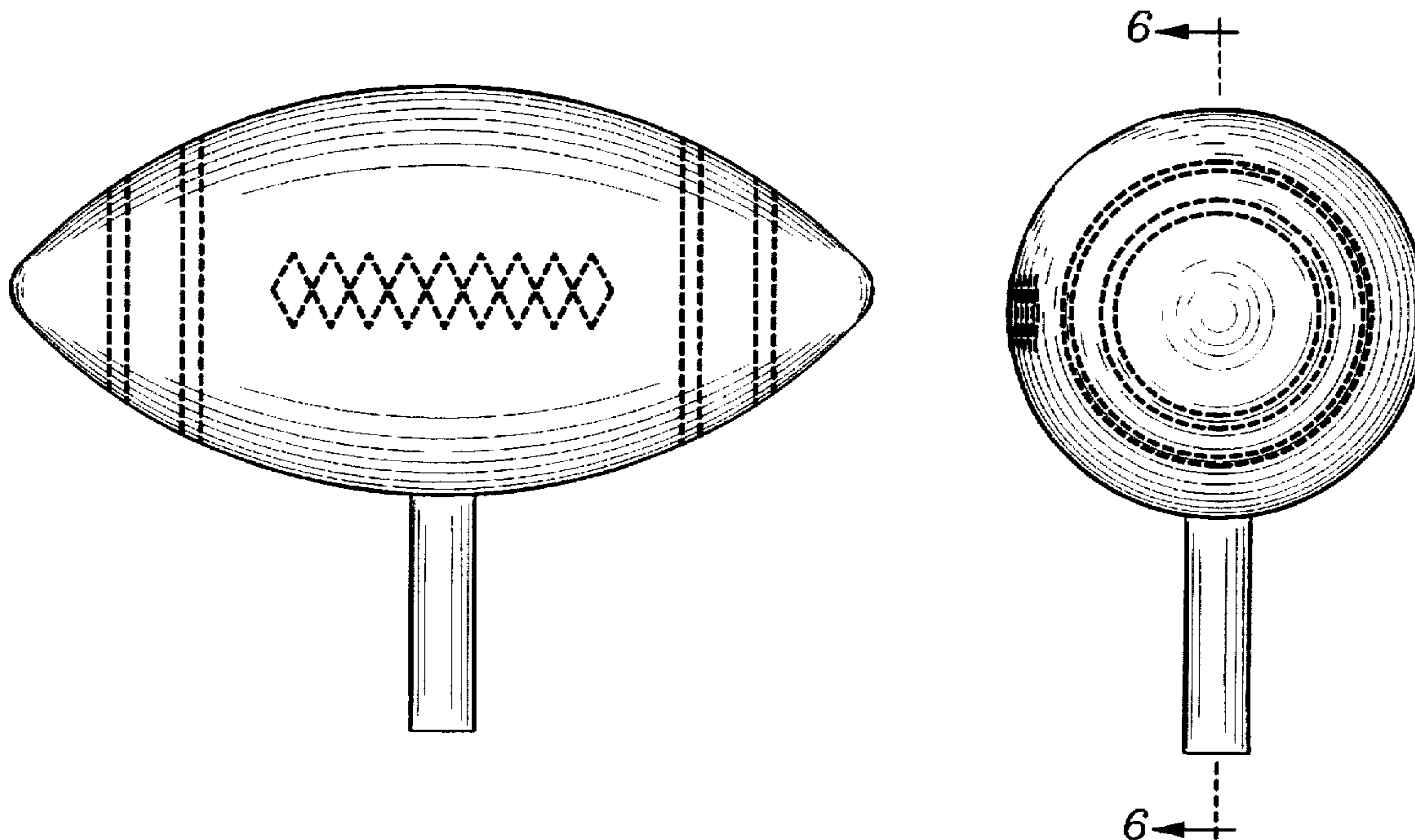


FIG. 1

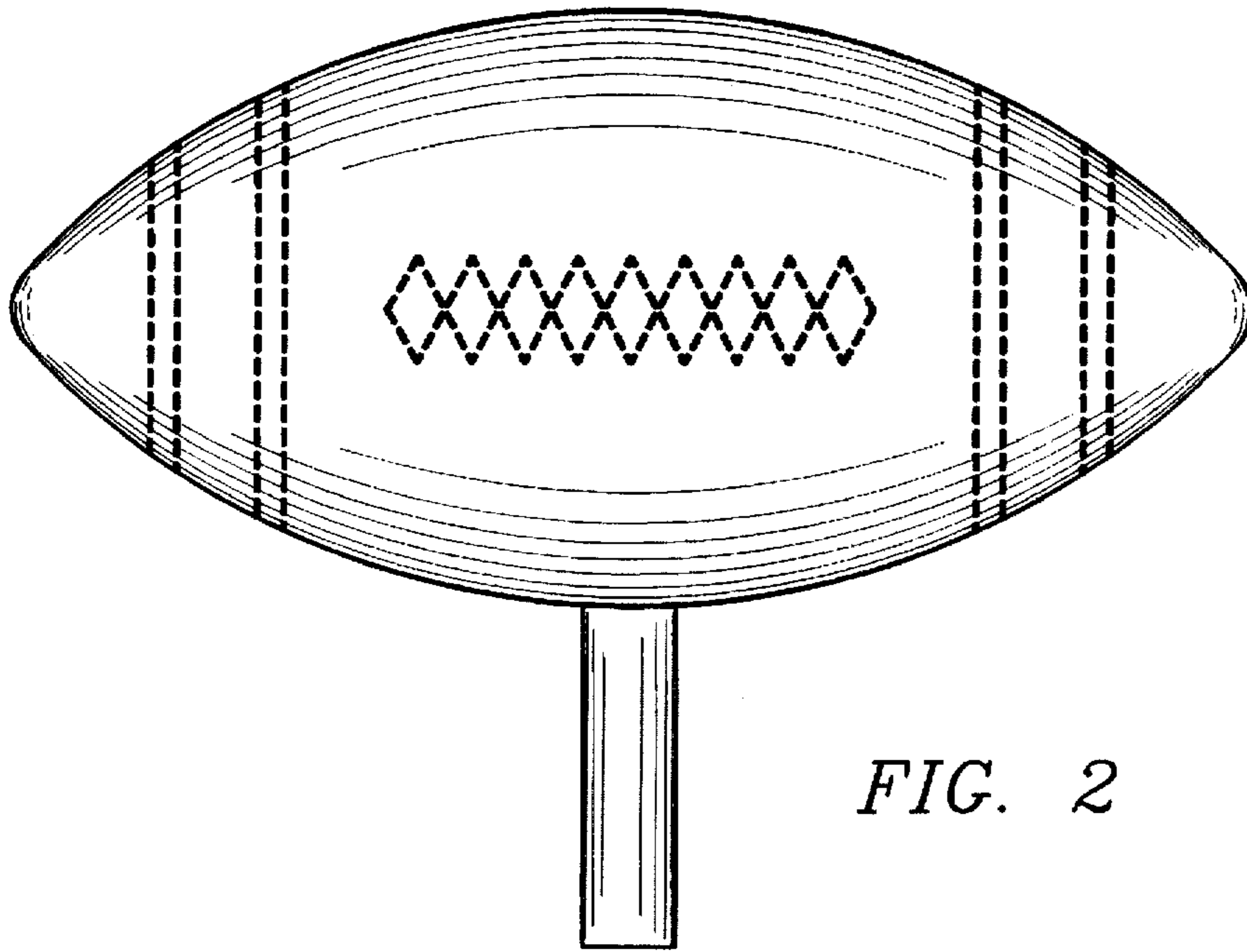


FIG. 2

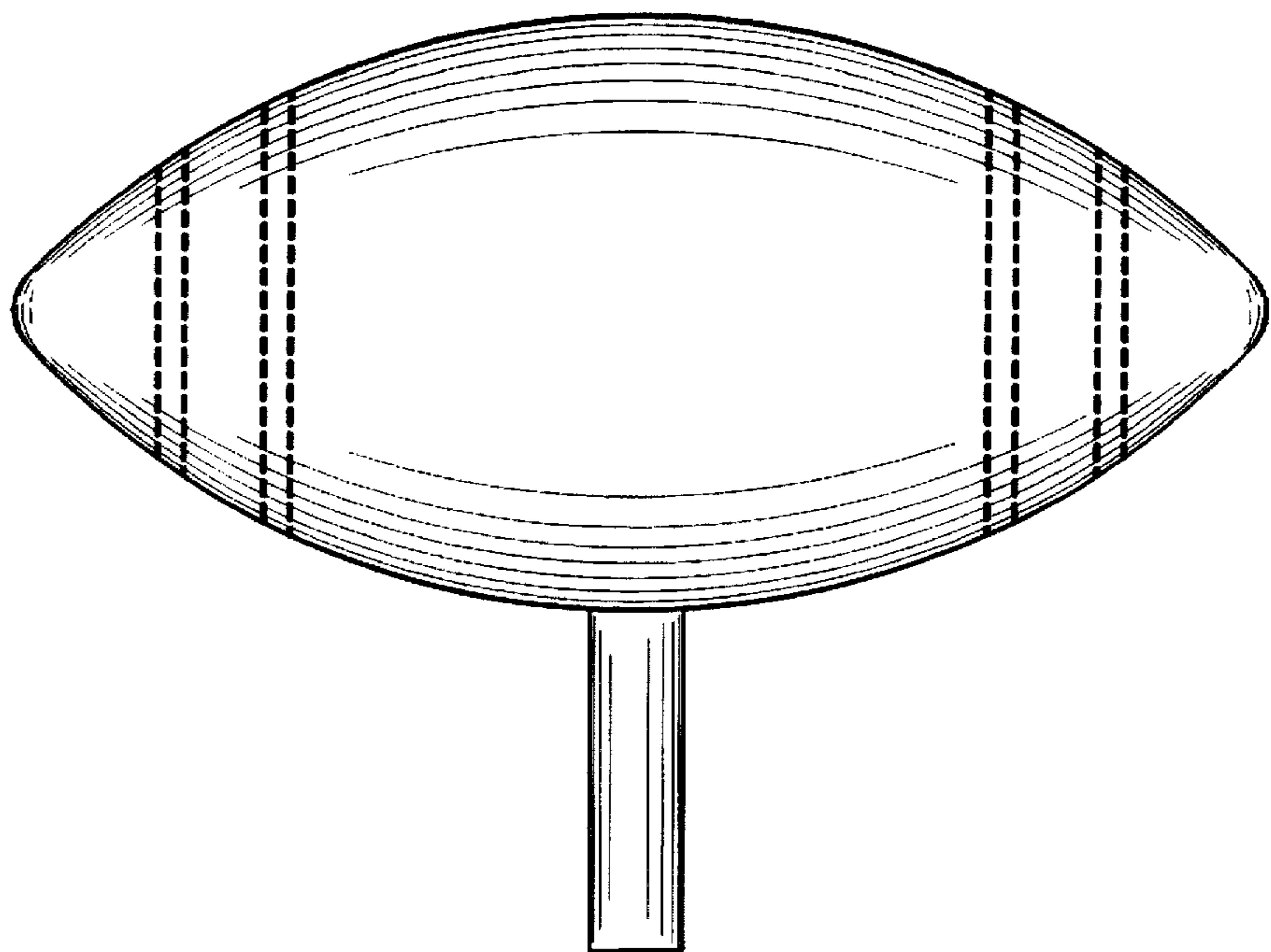


FIG. 3

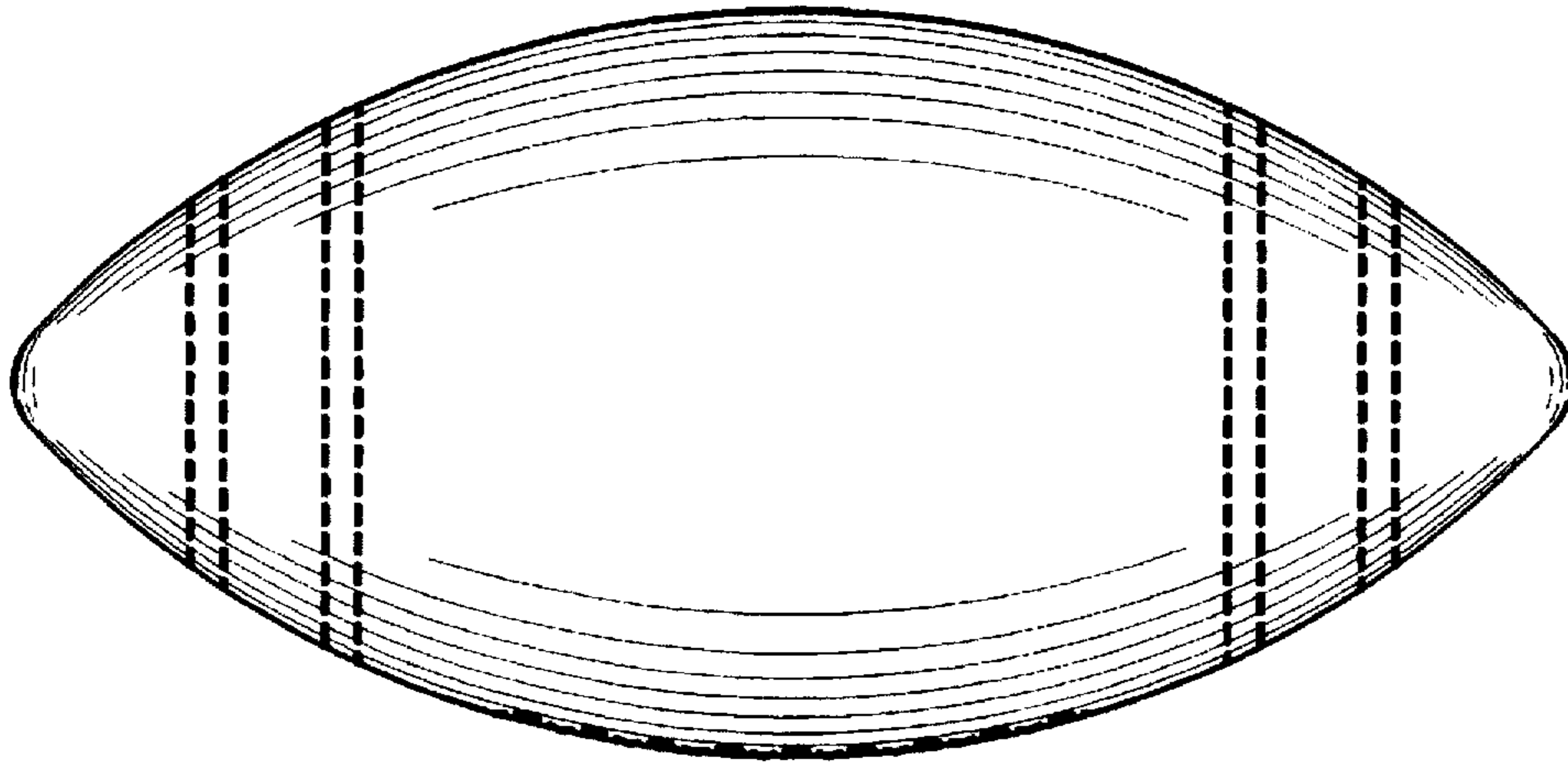


FIG. 4

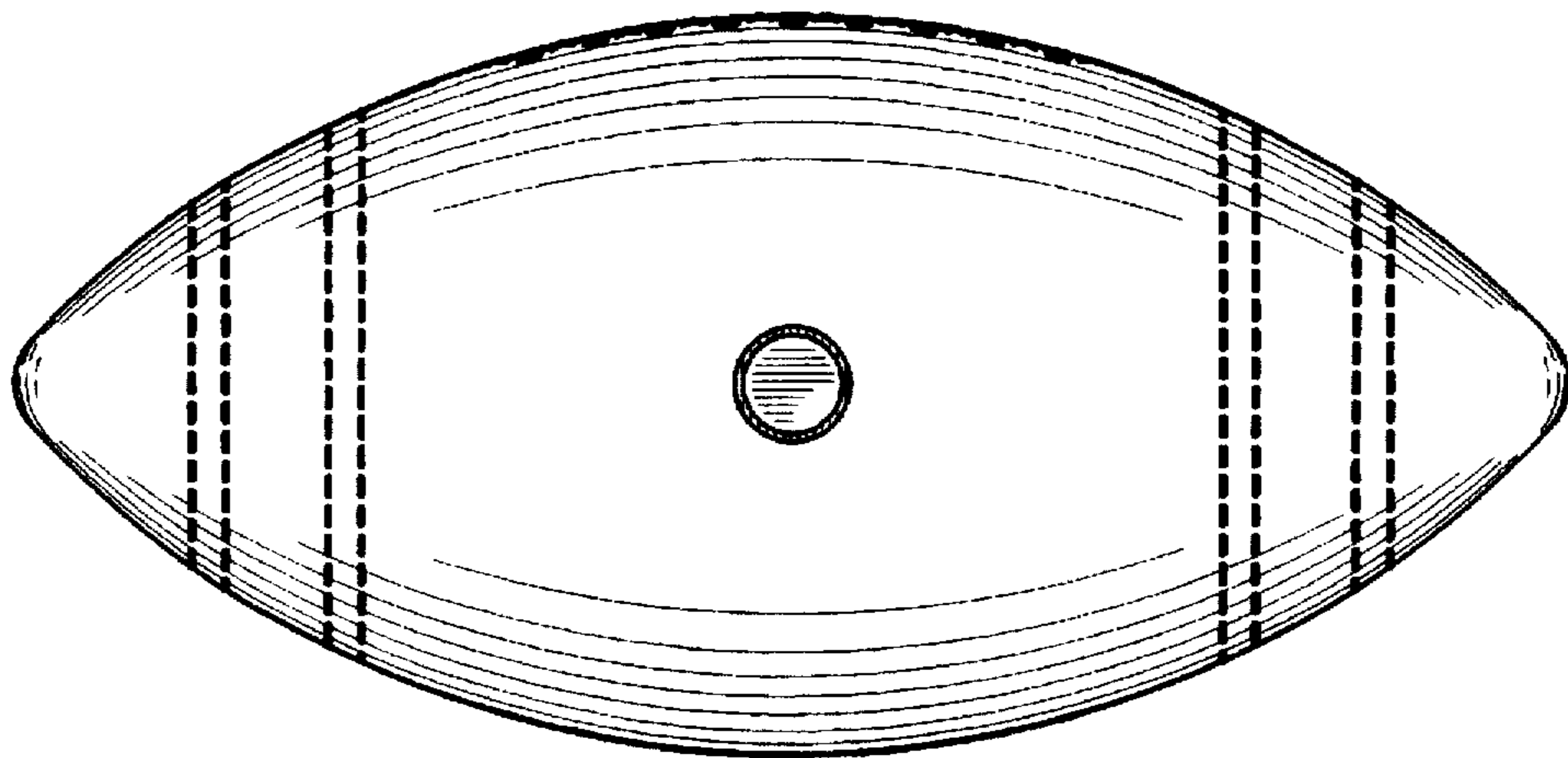


FIG. 5

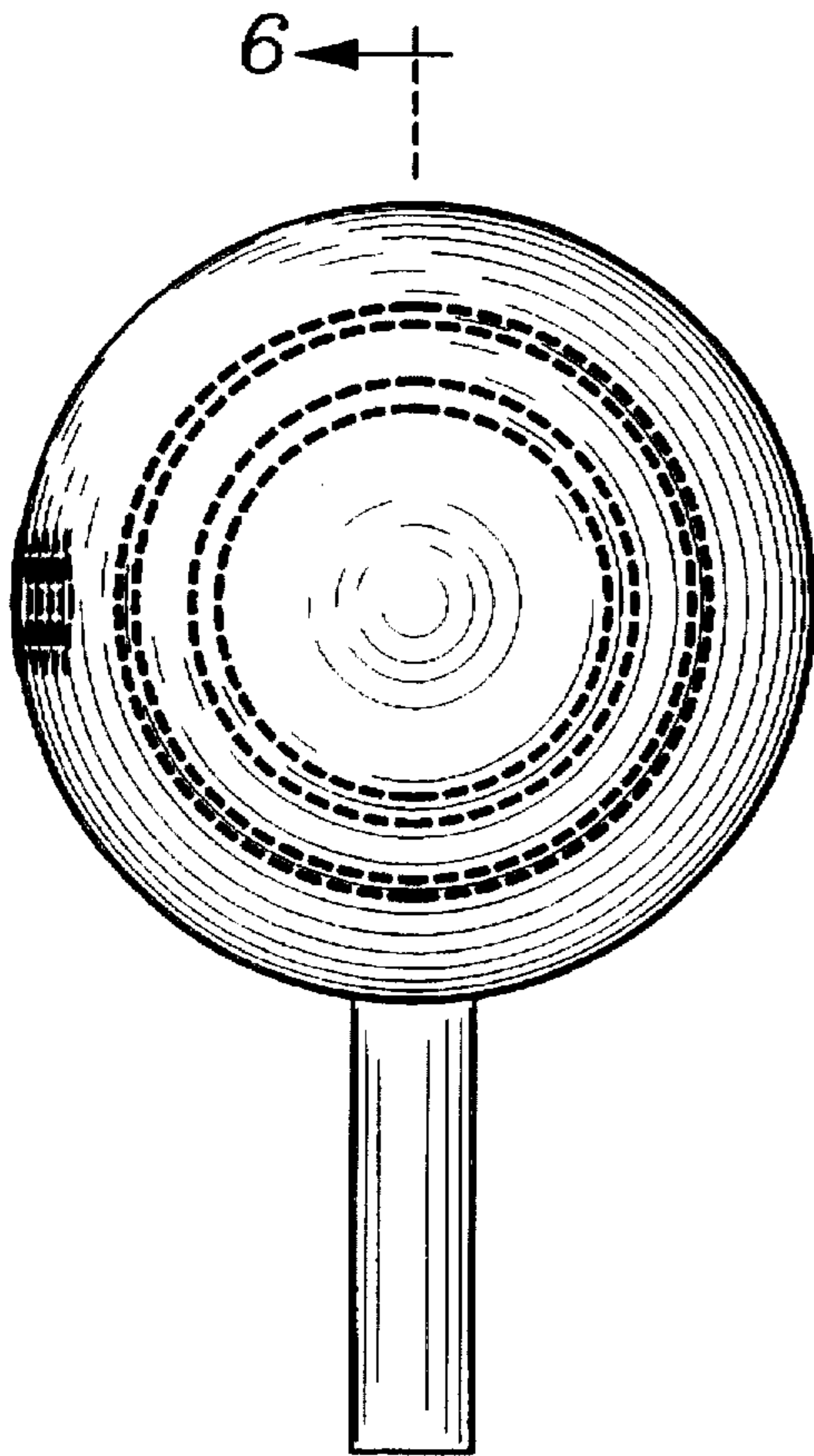


FIG. 6

