

US00D387768S

United States Patent [19]

Sone

[11] Patent Number: **Des. 387,768**

[45] Date of Patent: ****Dec. 16, 1997**

[54] ELECTROACOUSTIC TRANSDUCER

[75] Inventor: **Takahiro Sone, Shizuoka, Japan**

[73] Assignee: **Star Micronics Co., Ltd., Shizuoka, Japan**

[**] Term: **14 Years**

[21] Appl. No.: **53,801**

[22] Filed: **Apr. 30, 1996**

[30] Foreign Application Priority Data

Nov. 6, 1995 [JP] Japan 7-33460

[51] LOC (6) Cl. **14-01**

[52] U.S. Cl. **D14/222**

[58] Field of Search D10/75; D14/204,
D14/217, 221, 222; 181/144; 324/156;
367/175; 381/188-199

[56] References Cited

U.S. PATENT DOCUMENTS

D. 239,537	4/1976	Wagner	D14/222
D. 251,085	2/1979	Fanshawe	D14/222 X
D. 364,167	11/1995	Daniels	D14/221
4,951,270	8/1990	Andrews	181/144 X

FOREIGN PATENT DOCUMENTS

948056 of 1996 Japan .

Primary Examiner—Sandra L. Morris
Assistant Examiner—Nanda Bondade
Attorney, Agent, or Firm—Sughrue, Mion, Zinn, Macpeak & Seas, PLLC

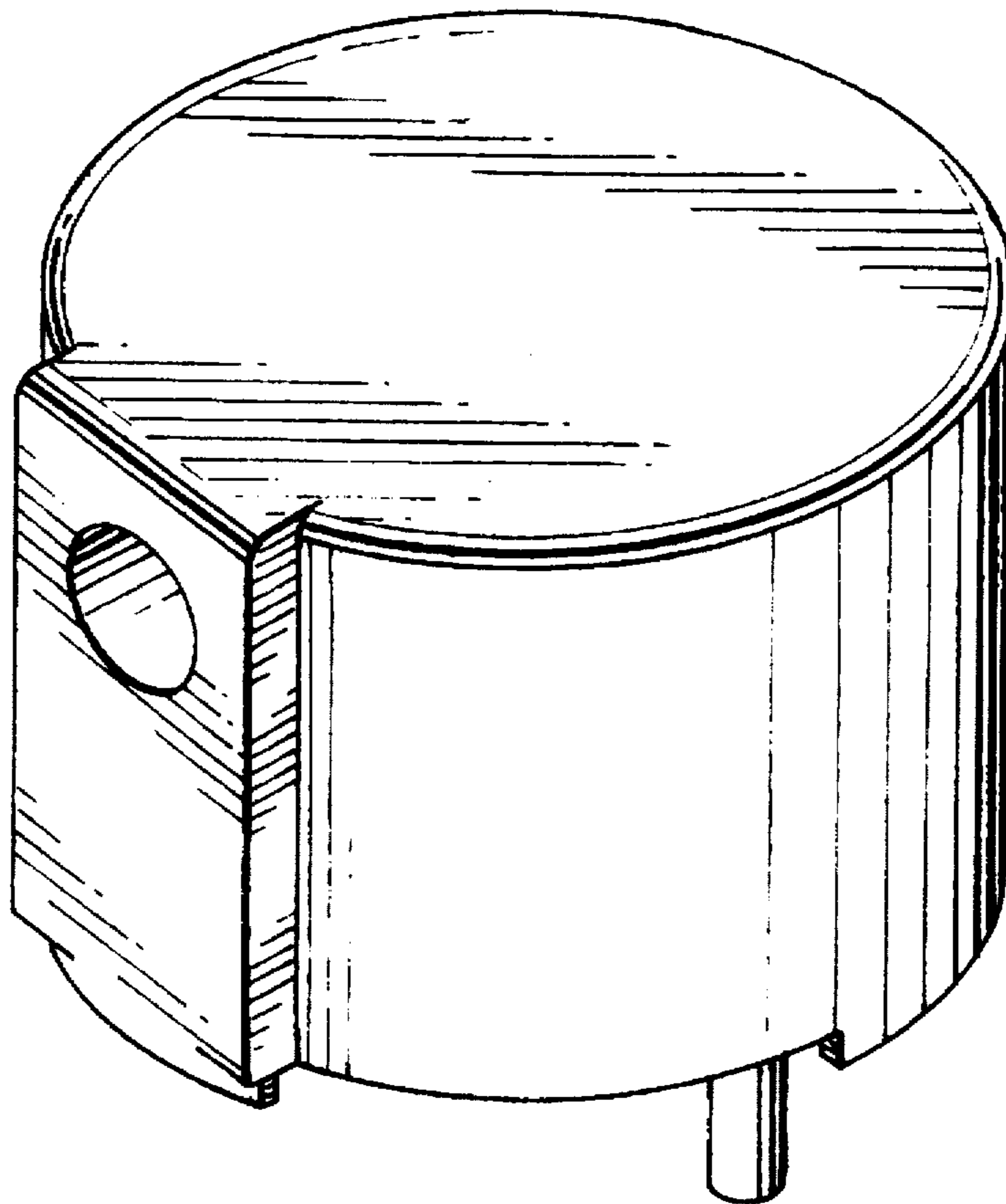
[57] CLAIM

The ornamental design for an electroacoustic transducer, as shown and described.

DESCRIPTION

FIG. 1 is a perspective view of the front, top and right side of an electroacoustic transducer showing my new design; FIG. 2 is a front elevational view thereof; FIG. 3 is a top plan view thereof; FIG. 4 is a right side elevational view, the left side elevational view being a mirror image thereof; FIG. 5 is a bottom plan view thereof; FIG. 6 is a rear elevational view thereof; and, FIG. 7 is a sectional view taken along the line A—A of FIG. 2.

1 Claim, 4 Drawing Sheets



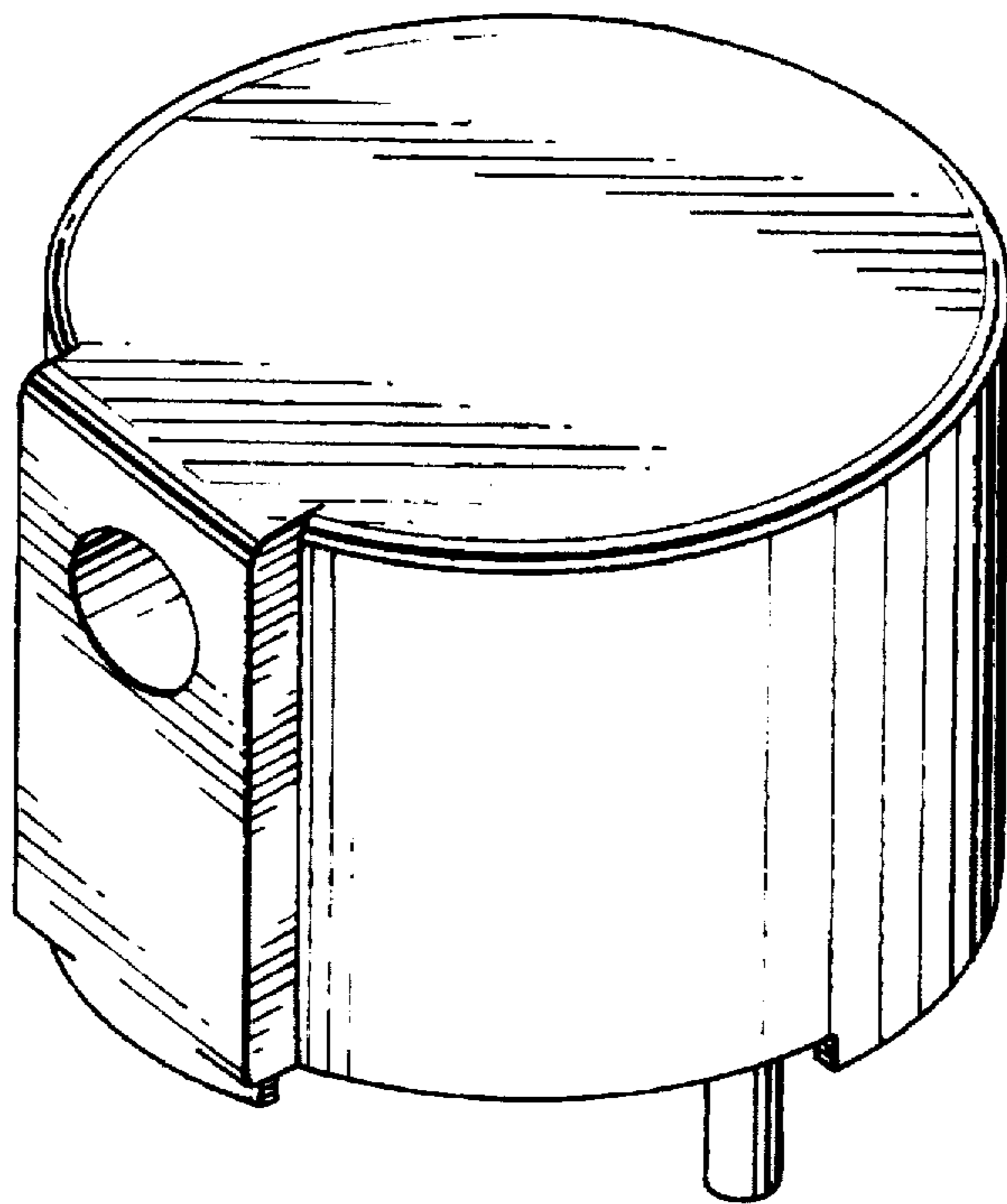


FIG. 1

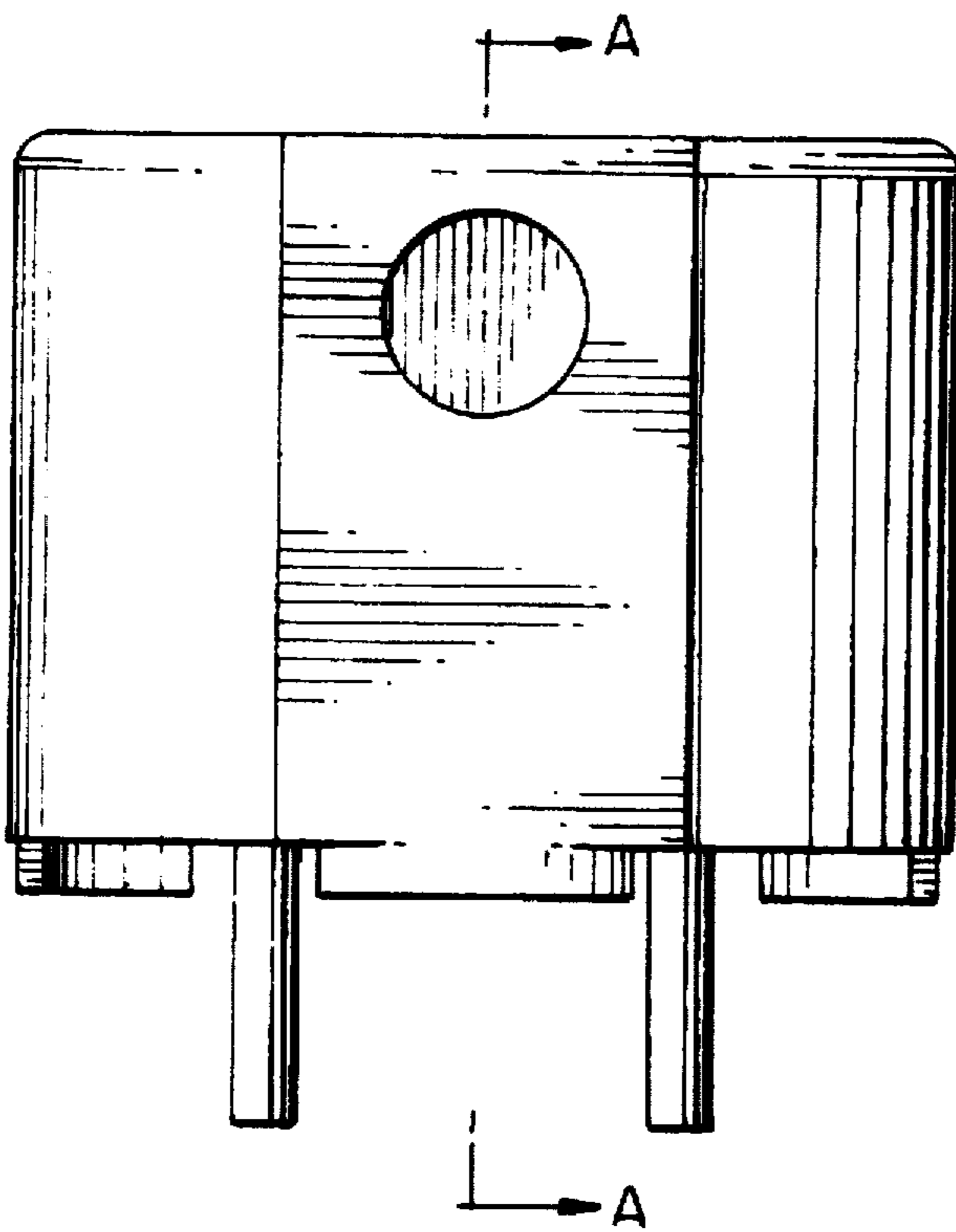


FIG. 2

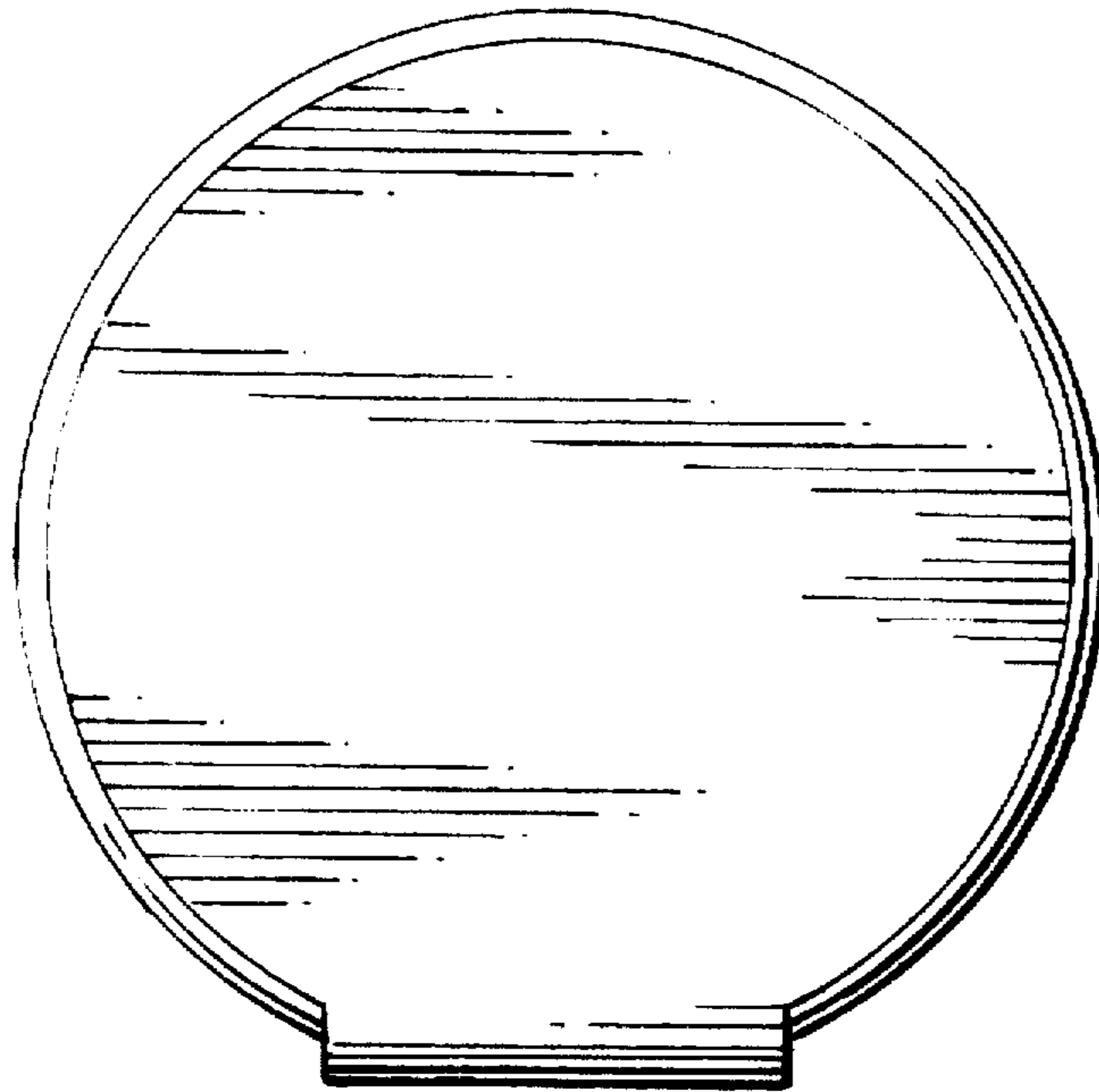


FIG. 3

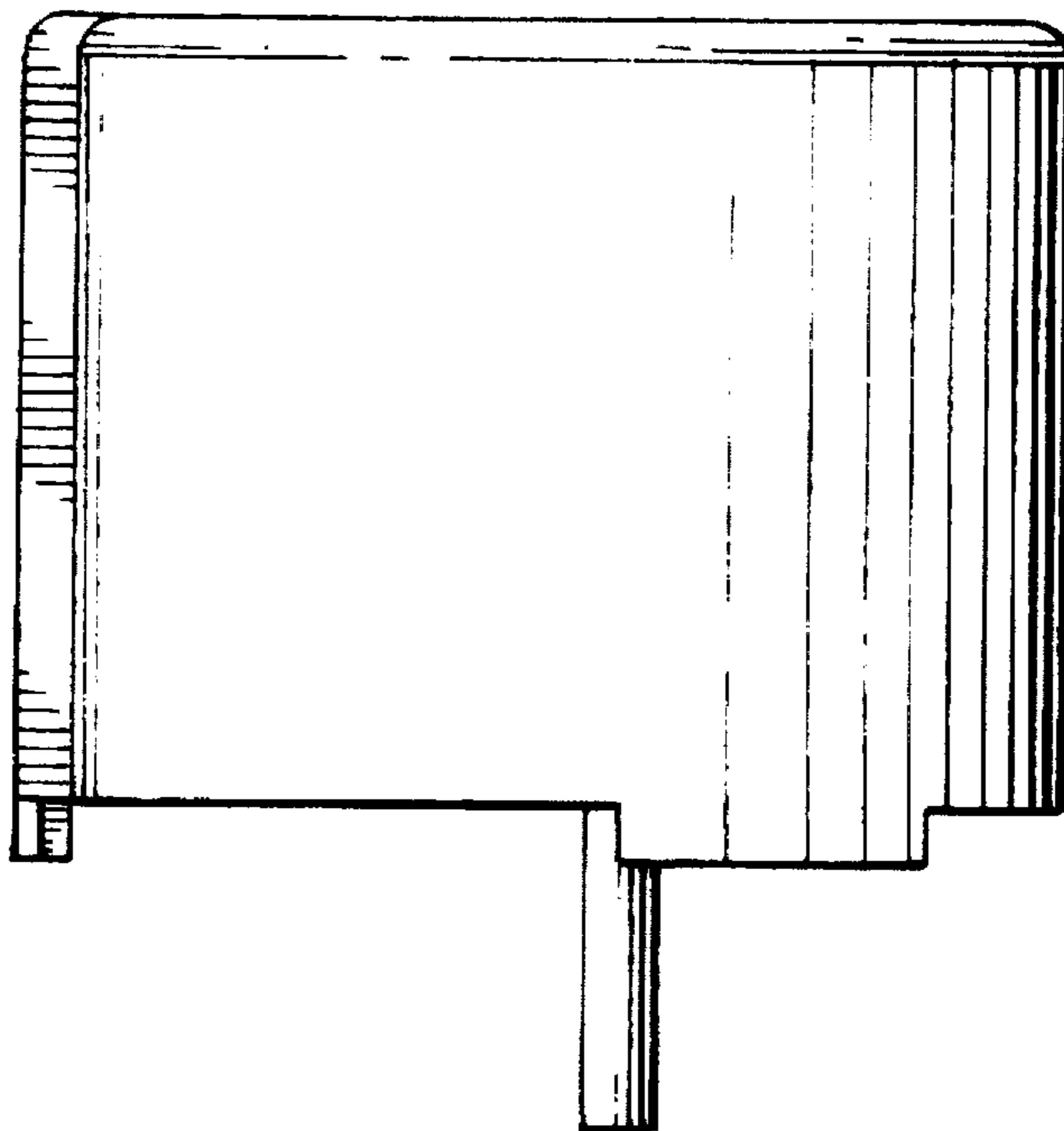


FIG. 4

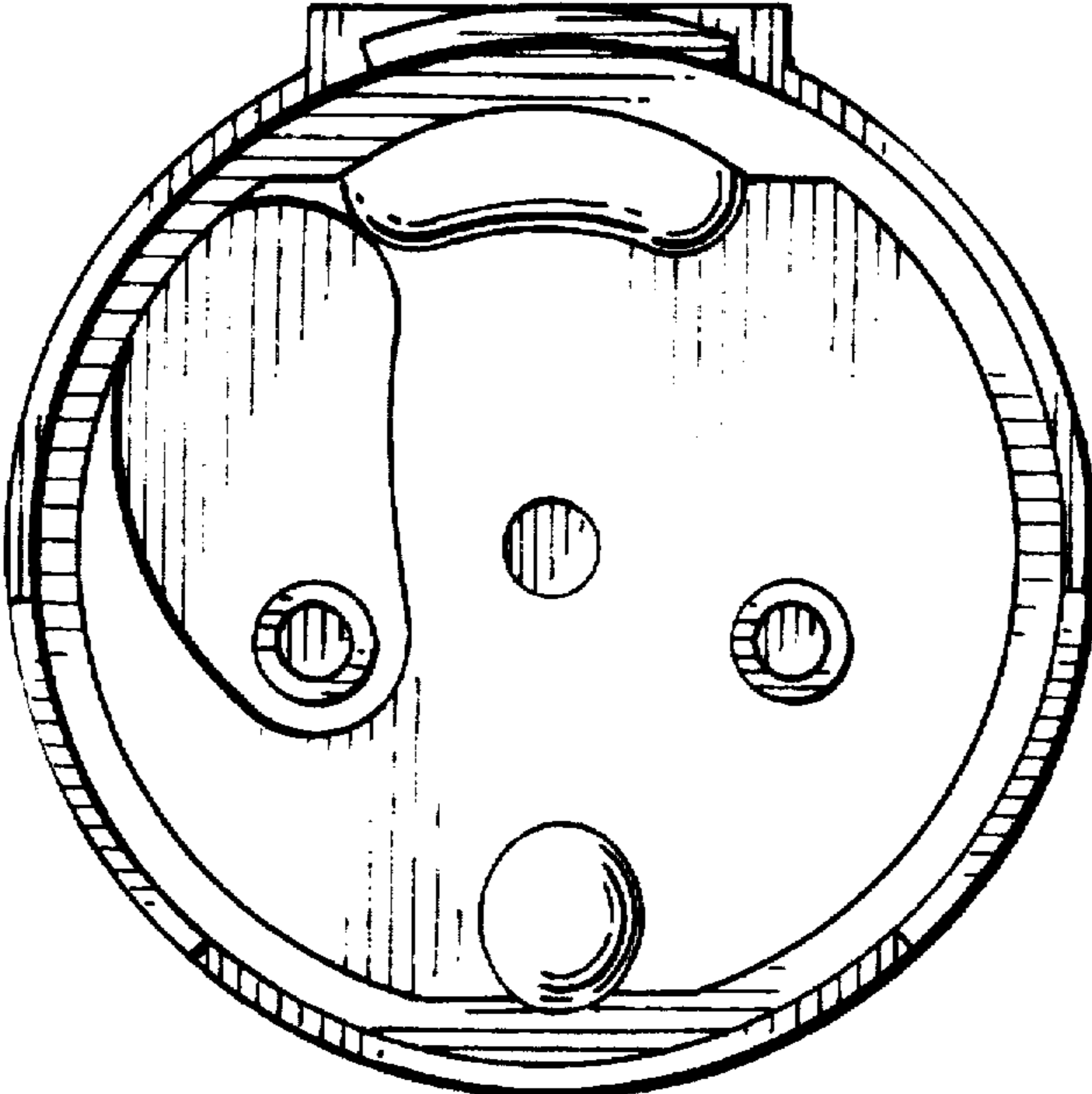


FIG. 5

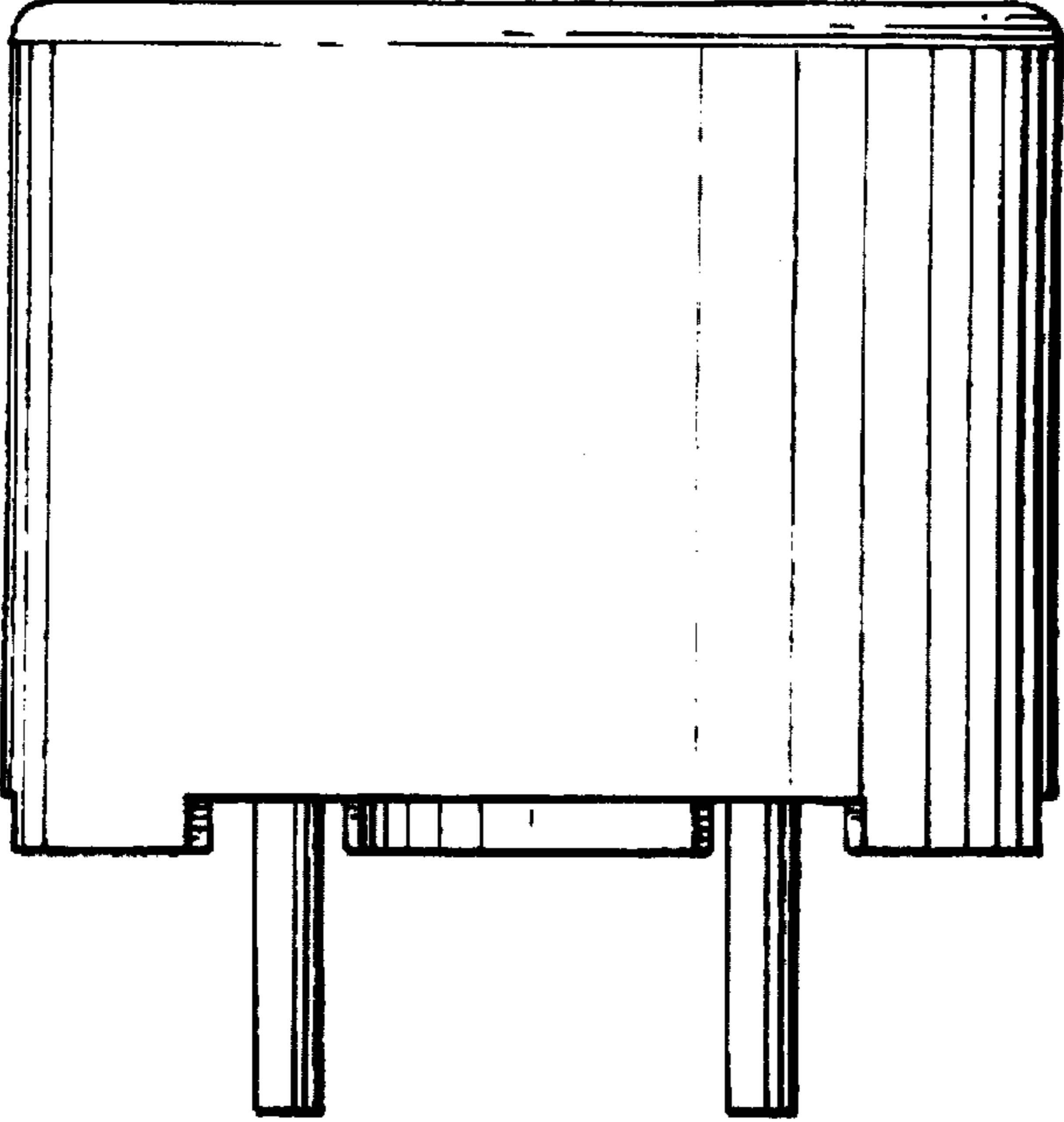


FIG. 6

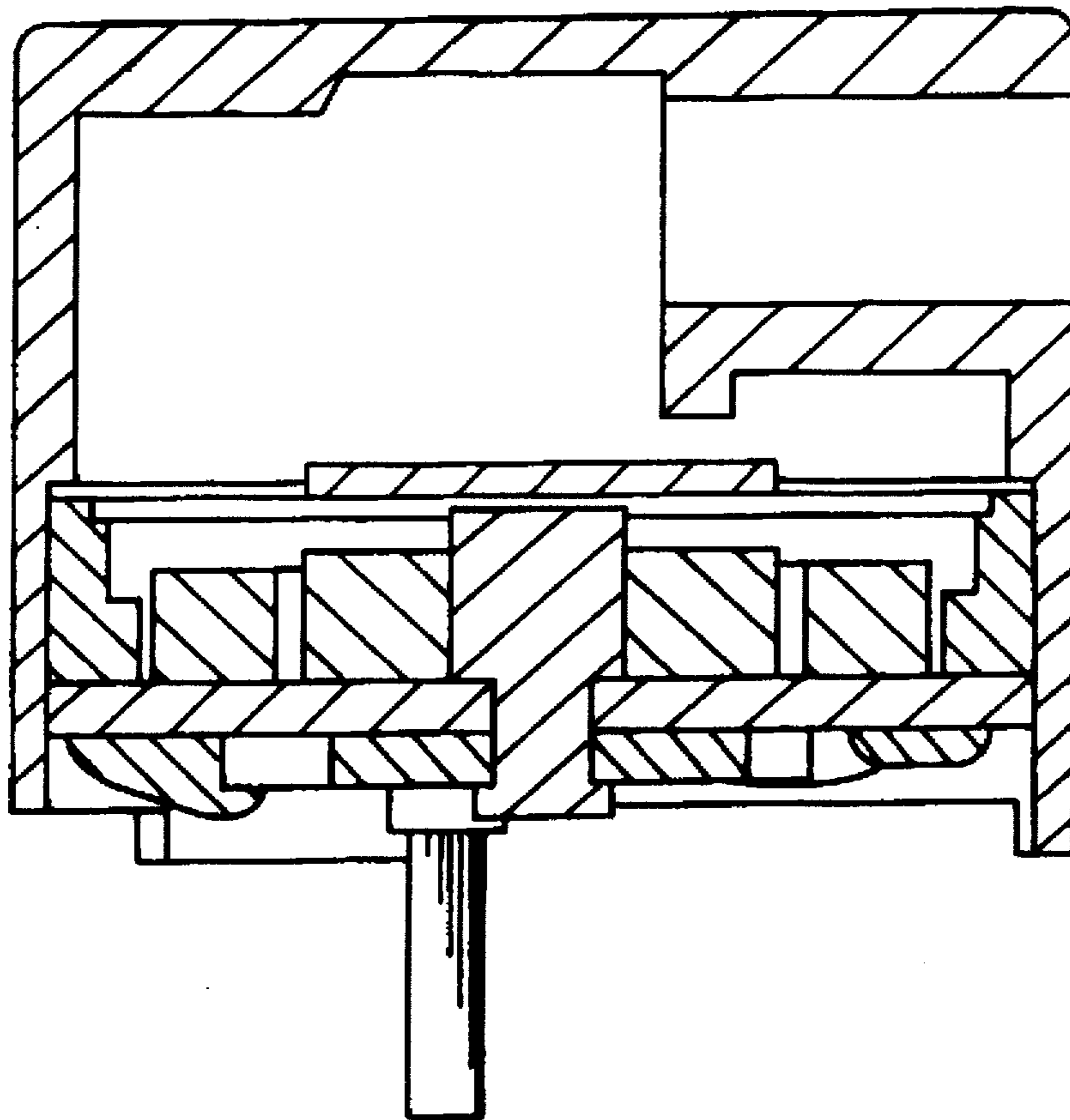


FIG. 7