



US00D387765S

United States Patent [19]

Brassard

[11] Patent Number: **Des. 387,765**

[45] Date of Patent: ****Dec. 16, 1997**

[54] **COMPACT DISK PLAYER ADAPTER**

[75] Inventor: **Paul Brassard**, Arcadia, Calif.

[73] Assignee: **Arkon Resources, Inc.**, Arcadia, Calif.

[**] Term: **14 Years**

[21] Appl. No.: **52,866**

[22] Filed: **Apr. 10, 1996**

[51] LOC (6) Cl. **14-01**

[52] U.S. Cl. **D14/217; D14/137; D14/188; D14/194; D14/218**

[58] **Field of Search** D14/100, 137, D14/138, 144, 147, 148, 155, 156, 157, 188, 194, 196, 197, 217, 218, 265; D10/104, 106; D13/168; D21/11, 141.1; 341/176; 340/825.69, 825.72; 348/1, 731, 734, 13; 455/80, 89, 90, 95, 151.1-151.4, 352-355

[56] **References Cited**

U.S. PATENT DOCUMENTS

D. 292,925 11/1987 Siegel et al. D14/194

D. 296,695 7/1988 Siegel et al. D14/194
D. 310,218 8/1990 Murphy D14/137
D. 327,876 7/1992 Stickley D13/168
D. 364,164 11/1995 Hanig D14/194 X

Primary Examiner—Caron D. Veynar
Attorney, Agent, or Firm—James E. Brunton

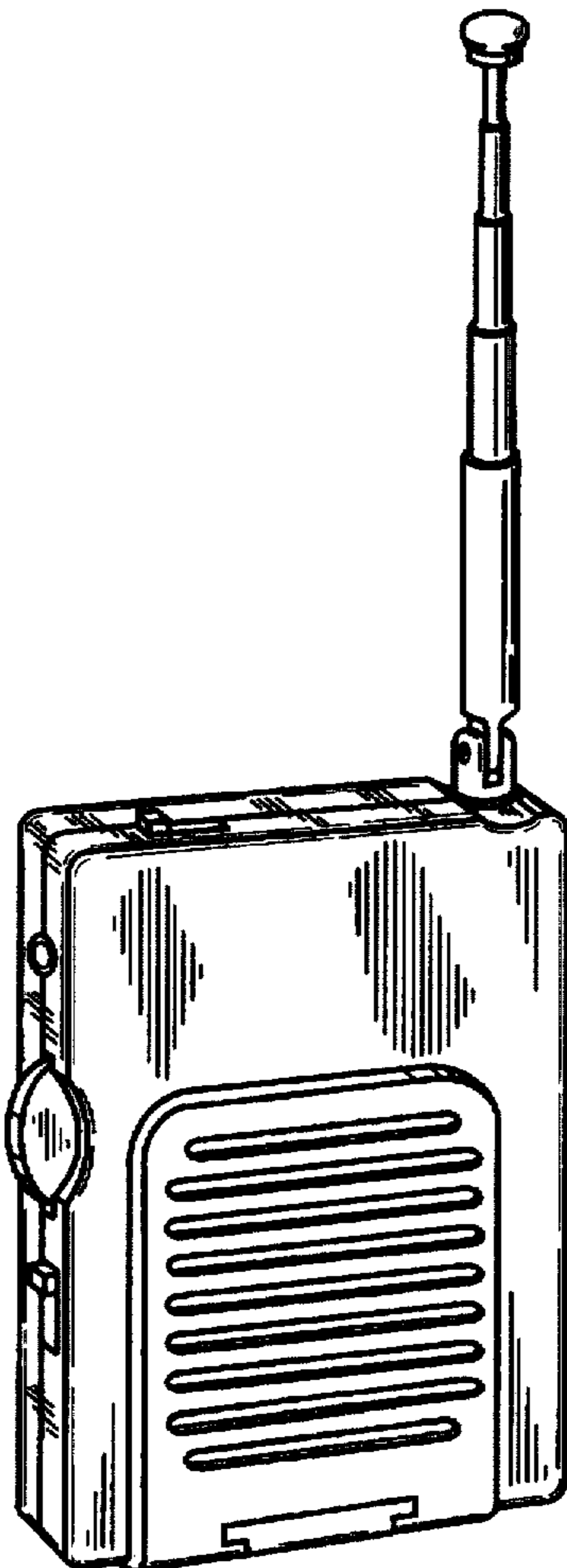
[57] **CLAIM**

The ornamental design for compact disk player adapter, as shown.

DESCRIPTION

FIG. 1 is a perspective view of a compact disk player adapter showing my new design;
FIG. 2 is a front view thereof;
FIG. 3 is a rear view thereof;
FIG. 4 is a right end view thereof;
FIG. 5 is a left end view thereof;
FIG. 6 is a top view thereof; and,
FIG. 7 is a bottom view thereof.

1 Claim, 2 Drawing Sheets



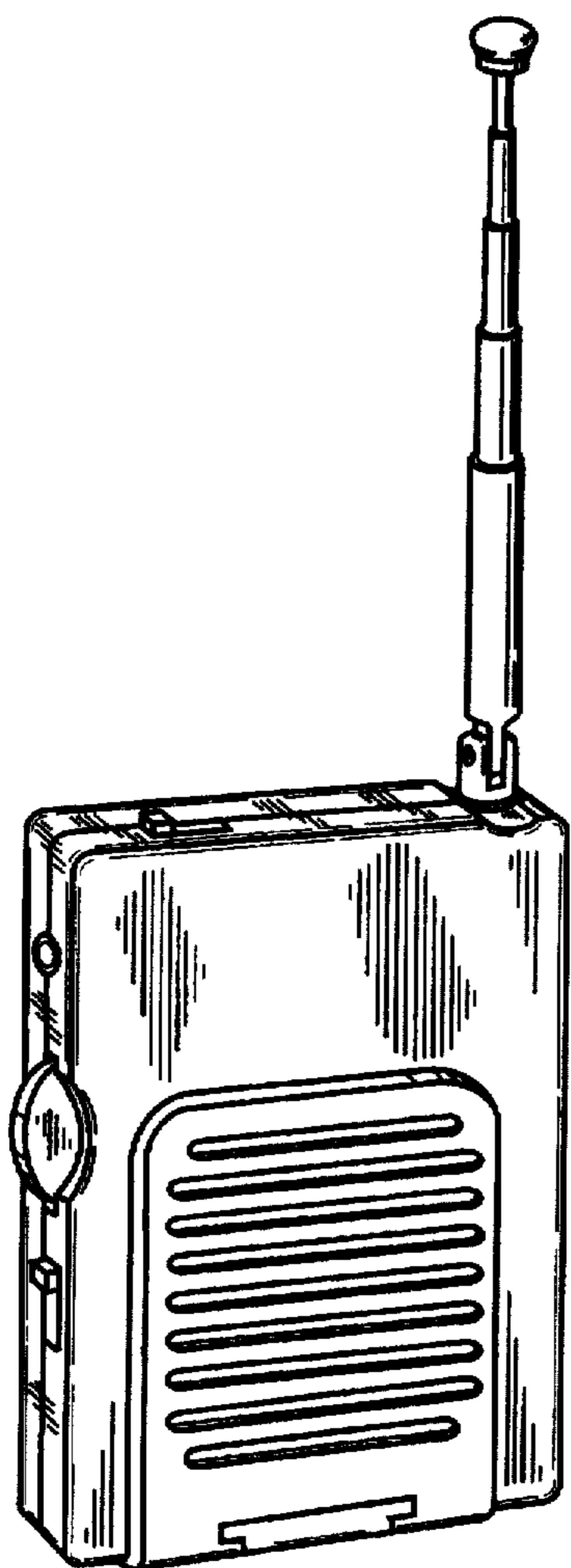


FIGURE 1

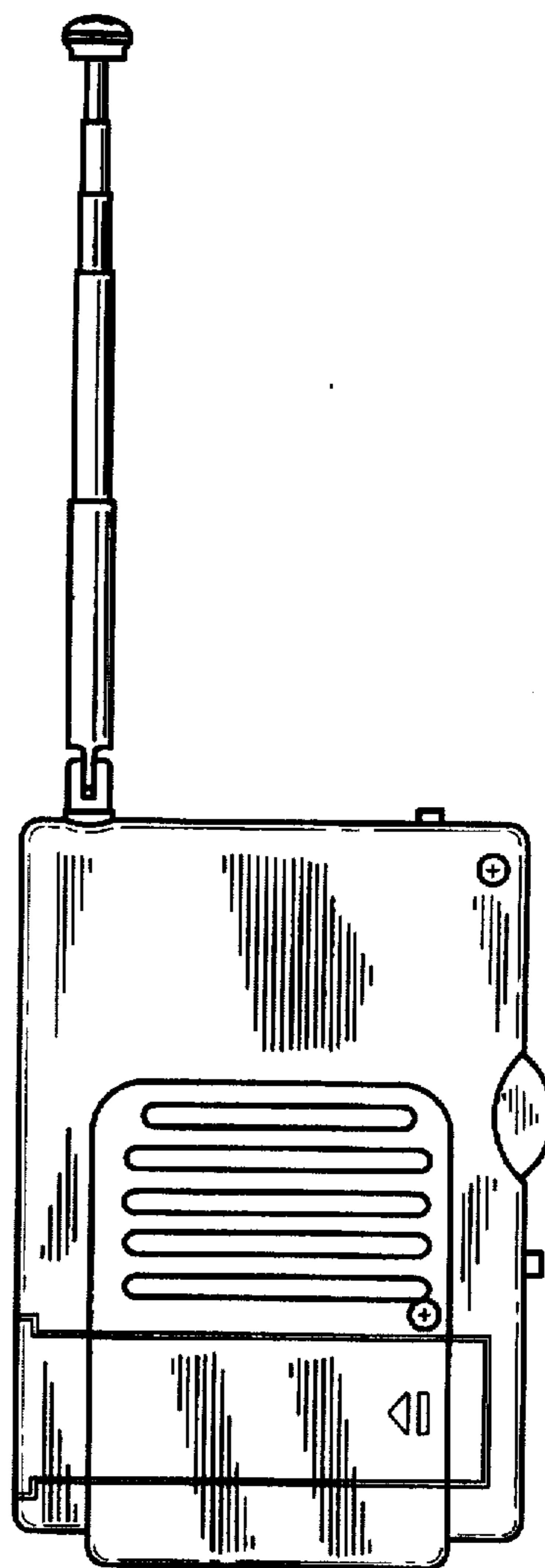


FIGURE 3

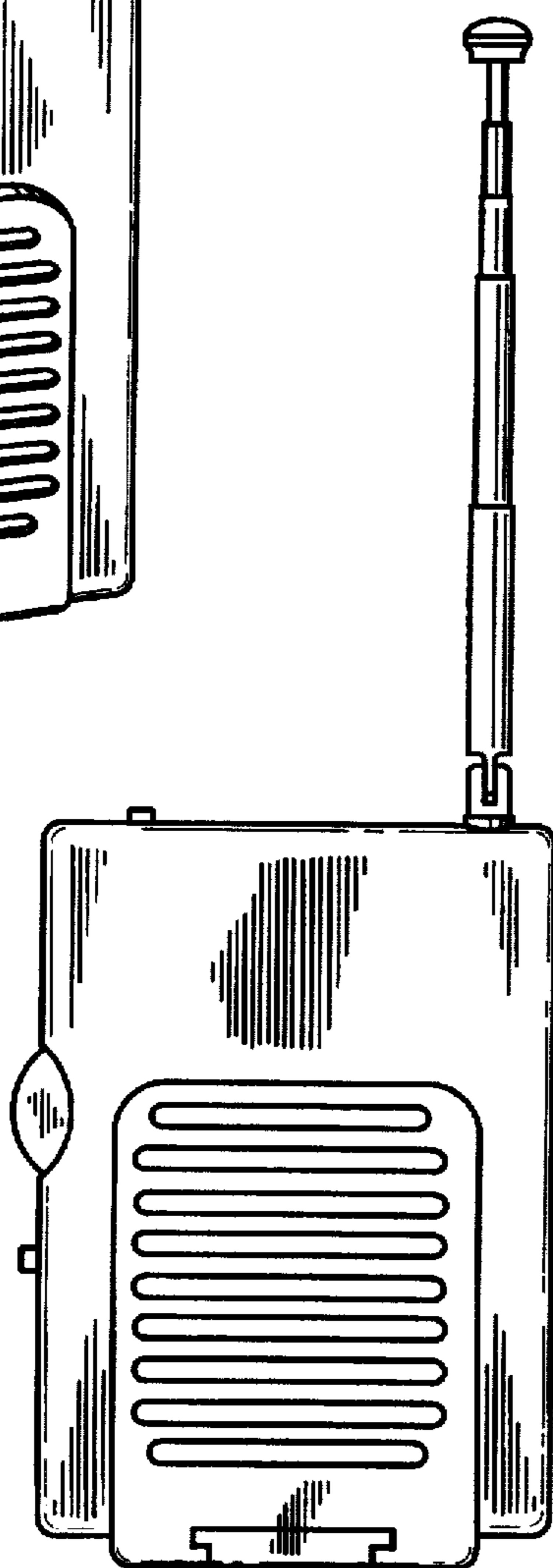


FIGURE 2

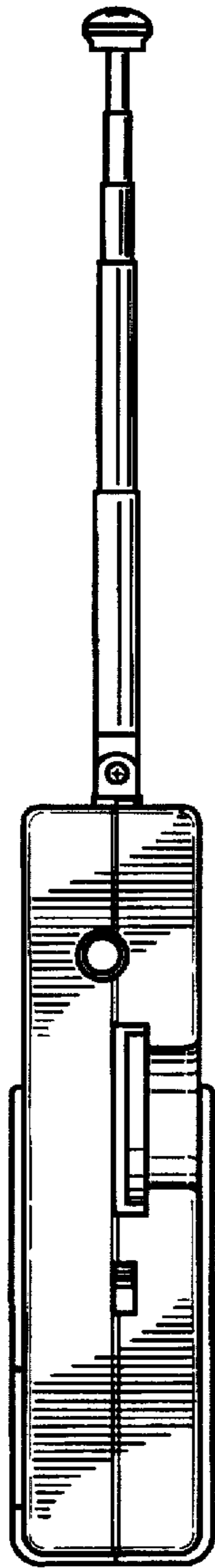


FIGURE 4

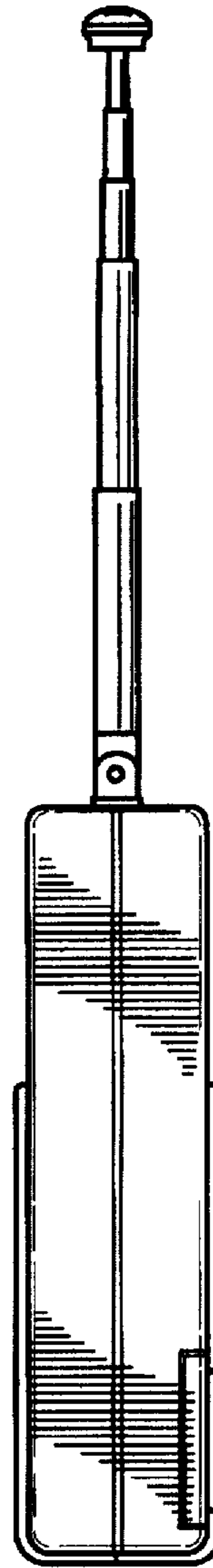


FIGURE 5

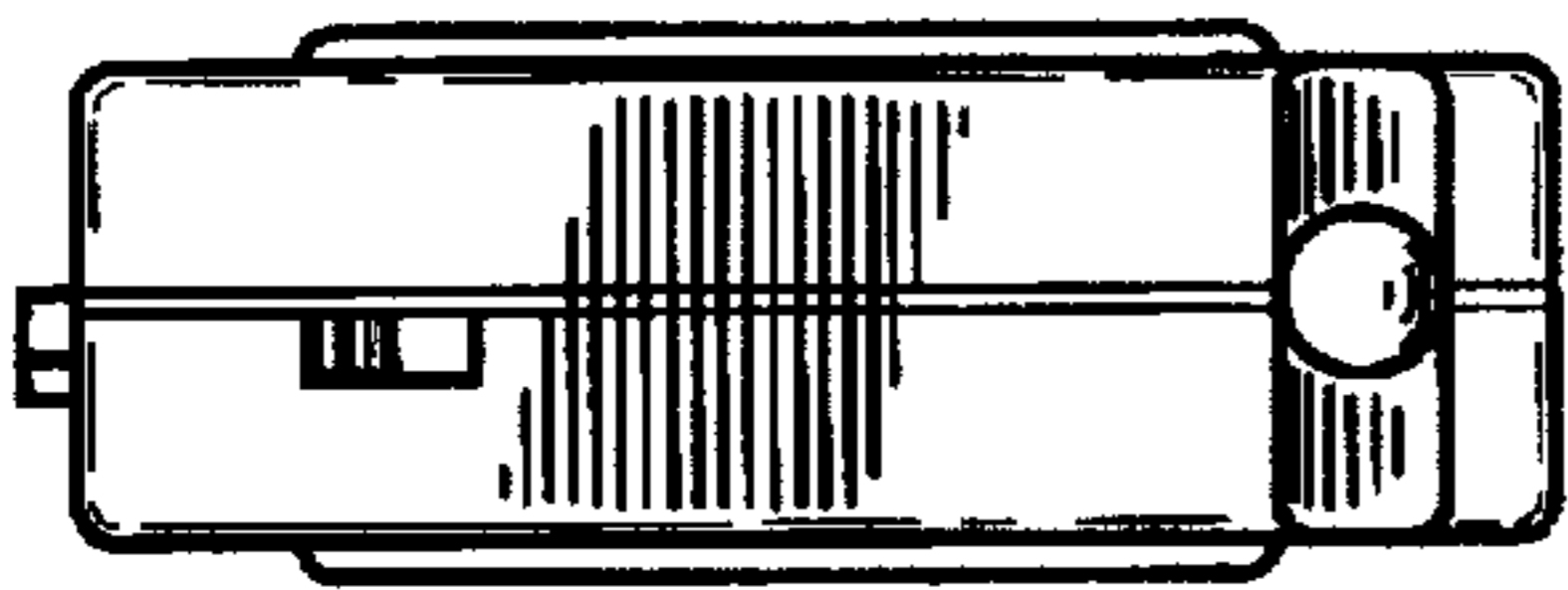


FIGURE 6

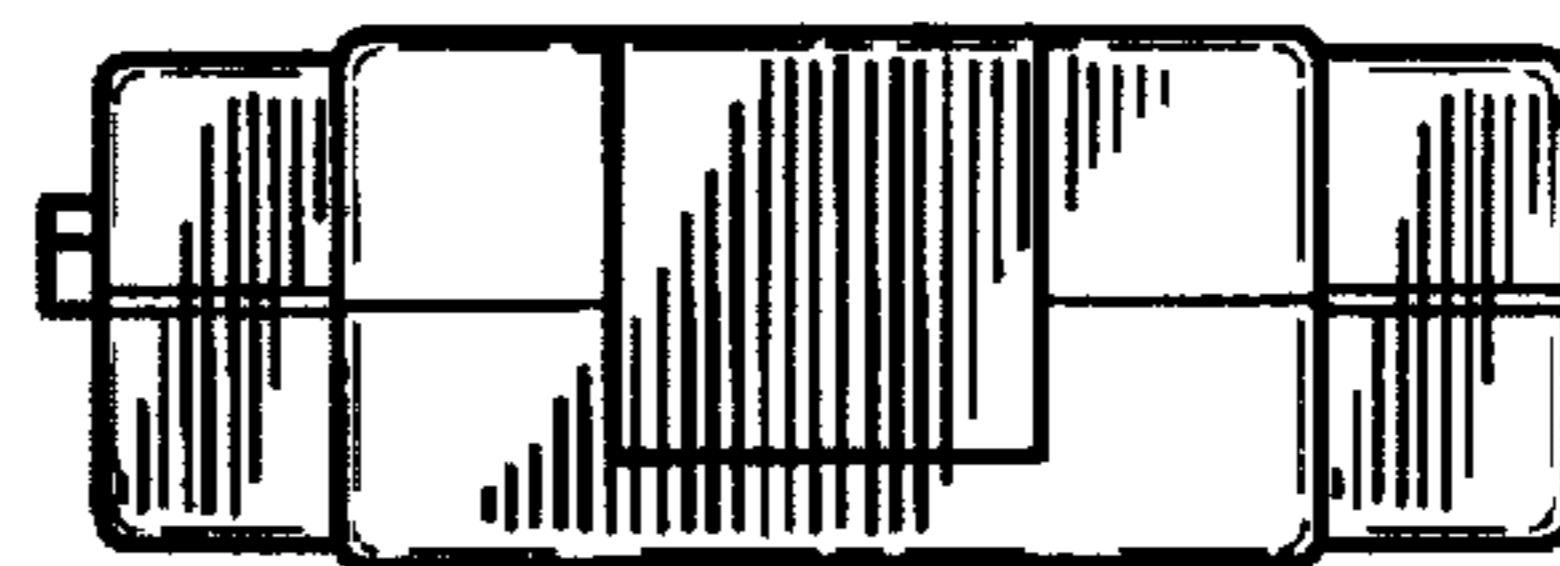


FIGURE 7