



US00D387760S

United States Patent [19]

Ito et al.

[11] Patent Number: **Des. 387,760**

[45] Date of Patent: ****Dec. 16, 1997**

[54] **COMBINED DIGITAL AUDIO DISC PLAYER, RADIO TUNER, AMPLIFIER AND TAPE RECORDER**

[75] Inventors: **Masafumi Ito; Minoru Sube; Haruki Takita; Hiroyuki Watanabe**, all of Musashino, Japan

[73] Assignee: **Teac Corporation**, Tokyo, Japan

[**] Term: **14 Years**

[21] Appl. No.: **42,237**

[22] Filed: **Aug. 4, 1995**

[30] **Foreign Application Priority Data**

Feb. 8, 1995	[JP]	Japan	7-3119
Feb. 8, 1995	[JP]	Japan	7-3120

[51] LOC (6) Cl. **14-01**

[52] U.S. Cl. **D14/168**

[58] Field of Search D14/124, 156, D14/160-165, 168-171, 188, 192-198, 257, 260; 455/344, 347, 351

[56] **References Cited**

U.S. PATENT DOCUMENTS

D. 310,837	9/1990	Takimoto	D14/156 X
D. 341,832	11/1993	Ito et al.	D14/198
D. 343,393	1/1994	Ito et al.	D14/198
D. 350,754	9/1994	Sasago	D14/168
D. 367,275	2/1996	Ito et al.	D14/188

Primary Examiner—Sandra L. Morris
Assistant Examiner—Nanda Bondade
Attorney, Agent, or Firm—Kanesaka & Takeuchi

[57] **CLAIM**

The ornamental design for a combined digital audio disc player, radio tuner, amplifier and tape recorder, as shown and described.

DESCRIPTION

FIG. 1 is a perspective view of a combined digital audio disc player, radio tuner, amplifier and tape recorder showing our new design;

FIG. 2 is a bottom plan view thereof;

FIG. 3 is a top plan view thereof;

FIG. 4 is a left side view thereof;

FIG. 5 is a front view thereof;

FIG. 6 is a rear view thereof;

FIG. 7 is a right side view thereof;

FIG. 8 is a perspective view thereof, shown in an open position;

FIG. 9 is a bottom plan view of an alternate embodiment of FIG. 1;

FIG. 10 is a top plan view of FIG. 9;

FIG. 11 is a perspective view of FIG. 9;

FIG. 12 is a left side view of FIG. 9;

FIG. 13 is a front view of FIG. 9;

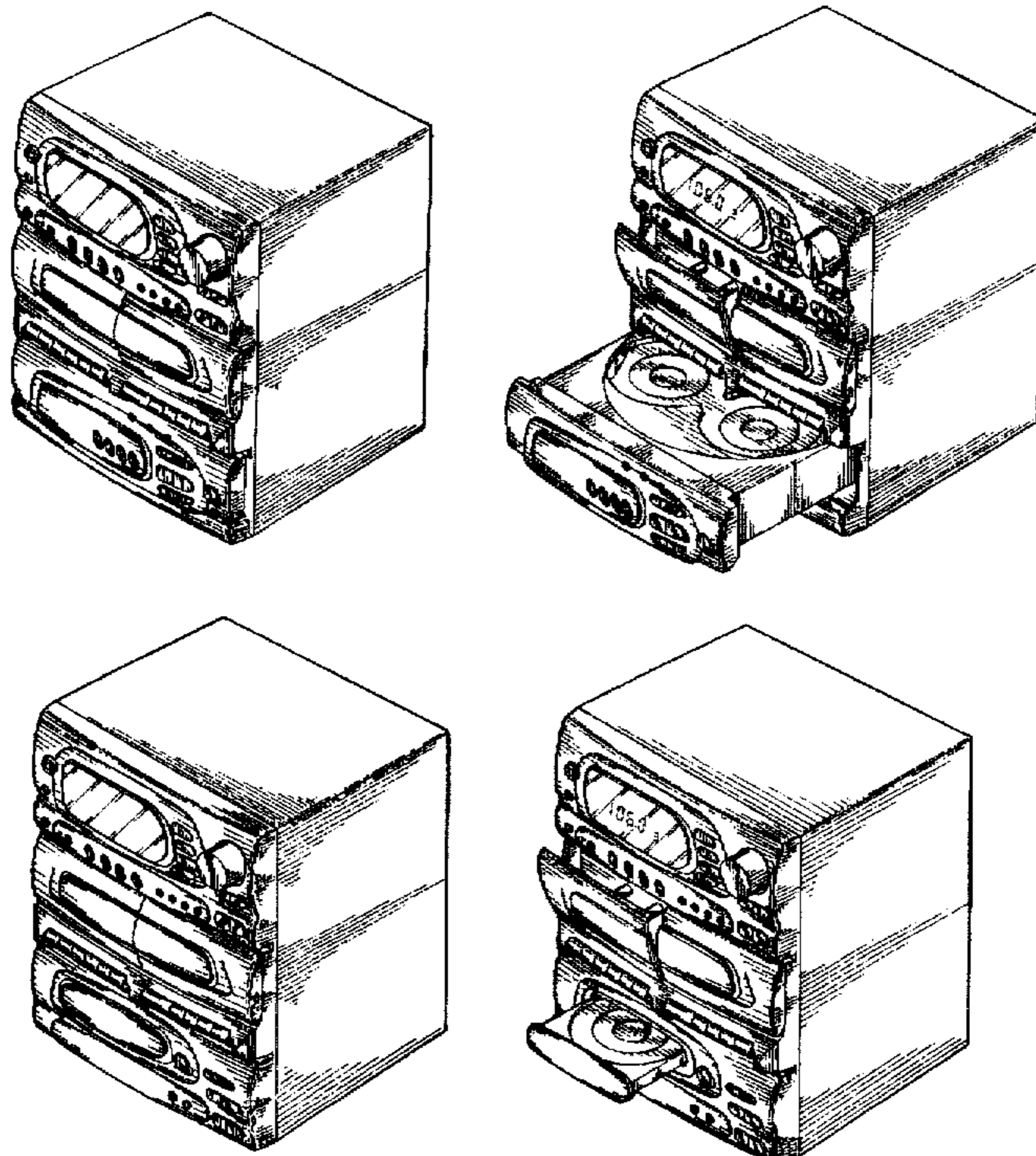
FIG. 14 is a rear view of FIG. 9;

FIG. 15 is a right side view of FIG. 9; and,

FIG. 16 is a perspective view of FIG. 9, shown in an open position.

The broken line showing of the numbers in FIGS. 8 and 16 is for illustrative purposes only and forms no part of the claimed design.

1 Claim, 6 Drawing Sheets



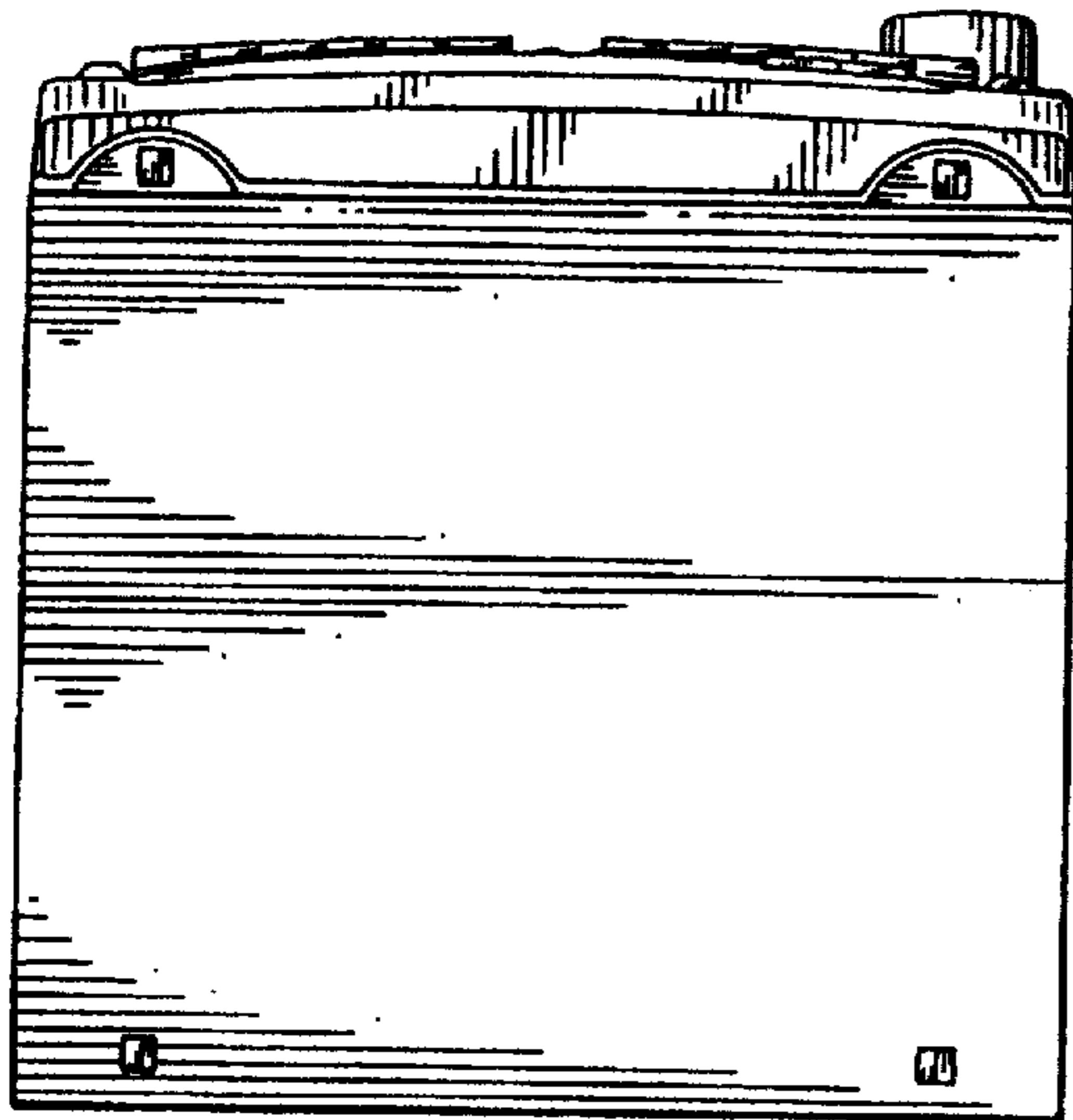


FIG. 2

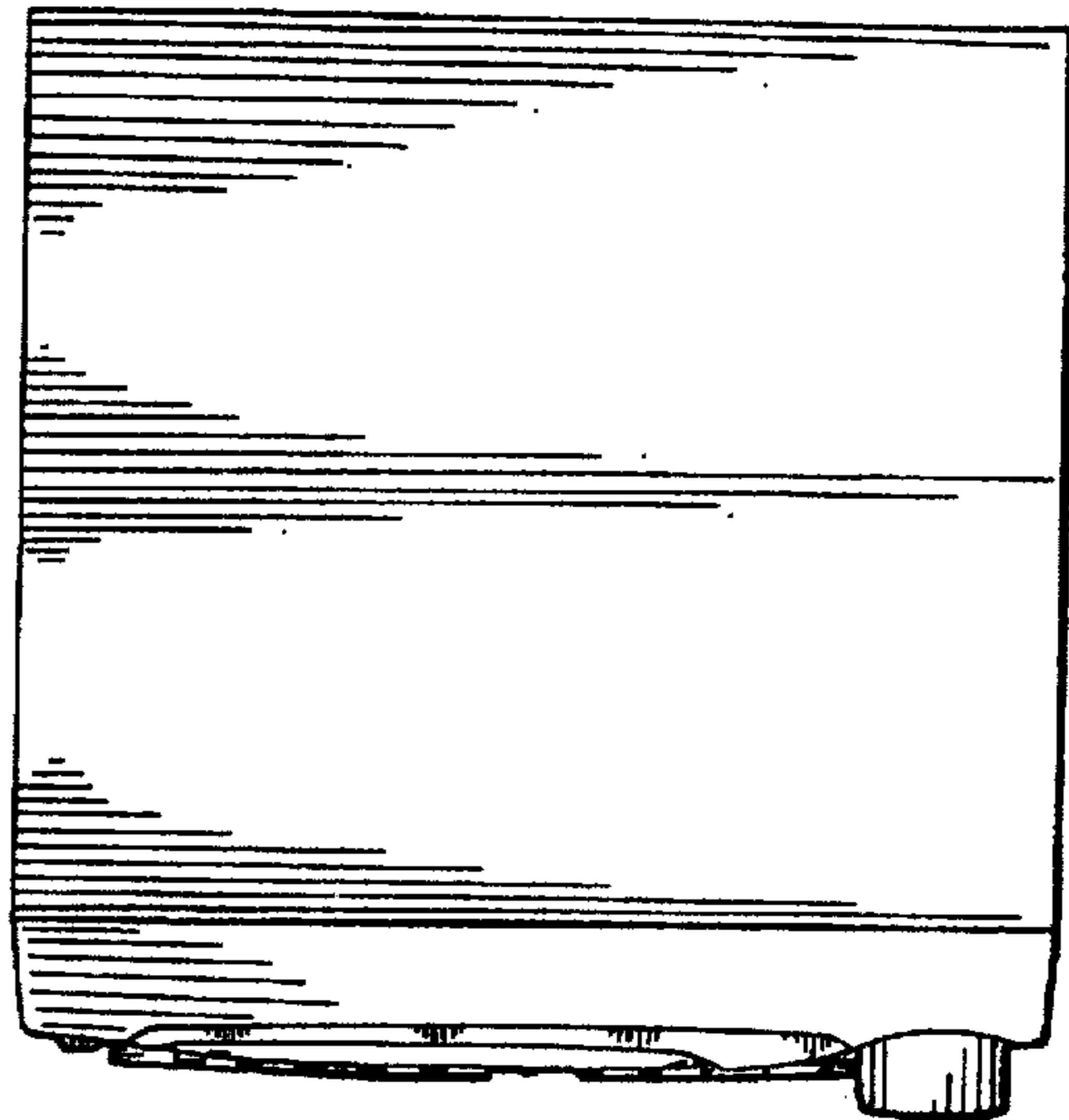


FIG. 3

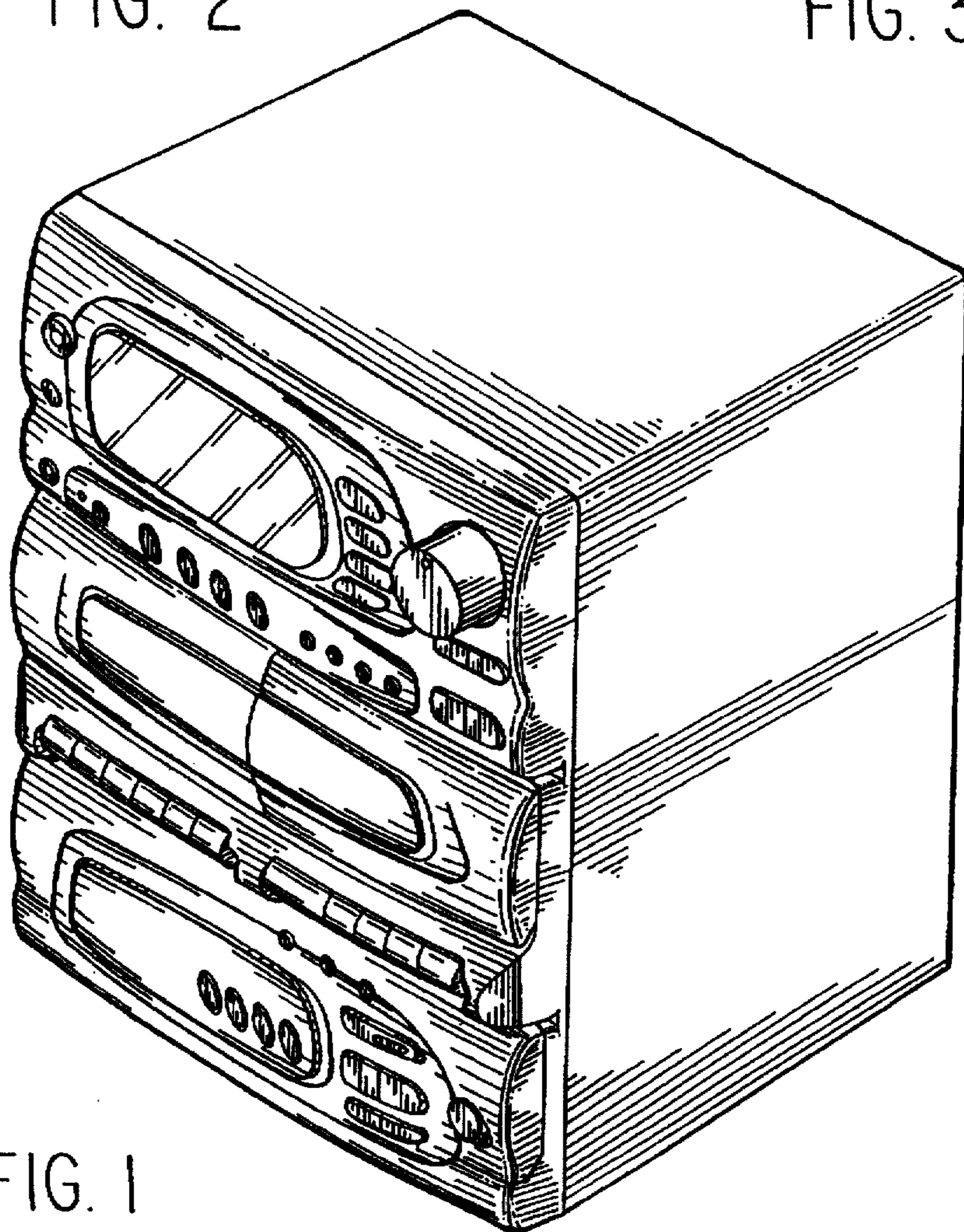


FIG. 1

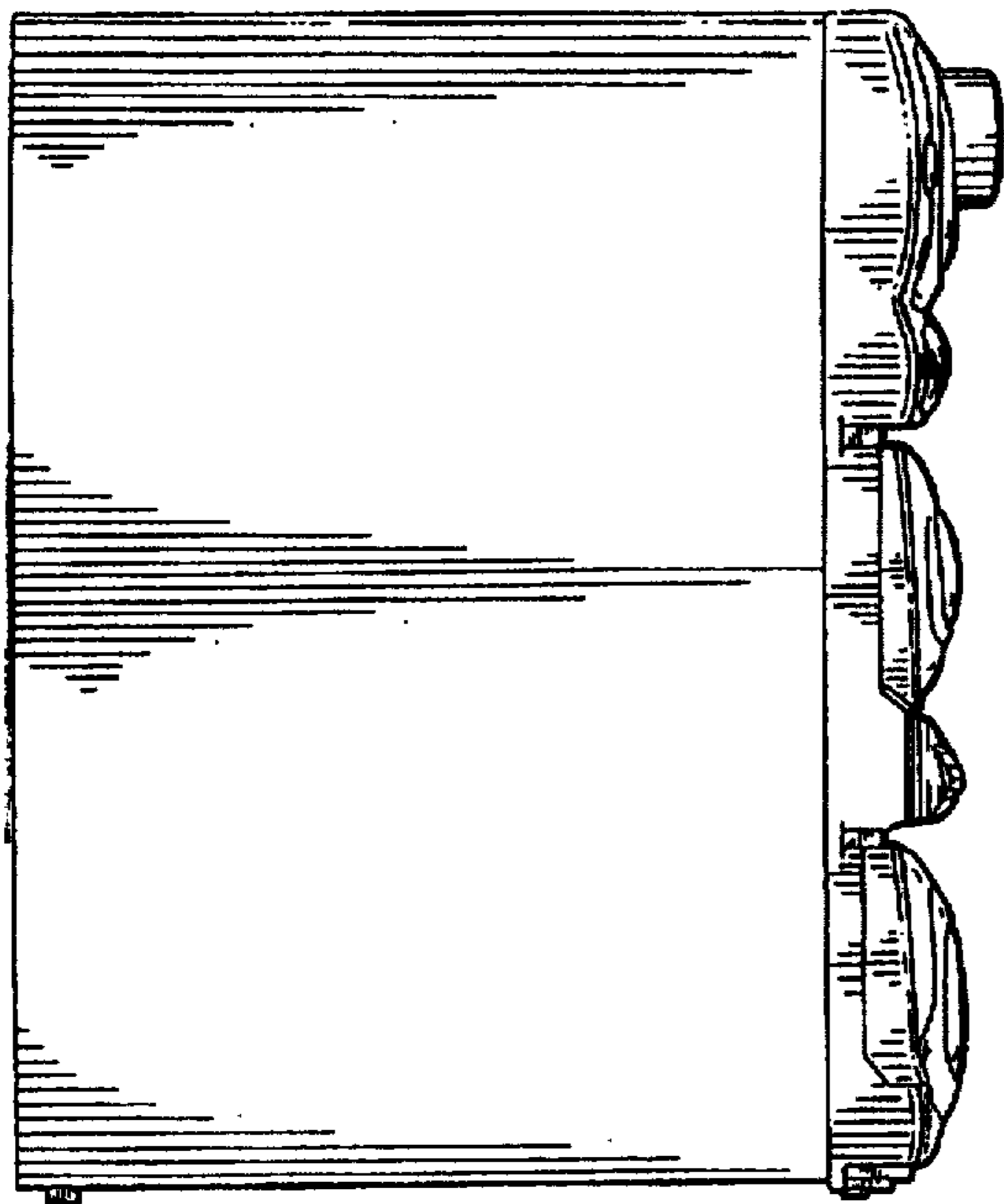


FIG. 4

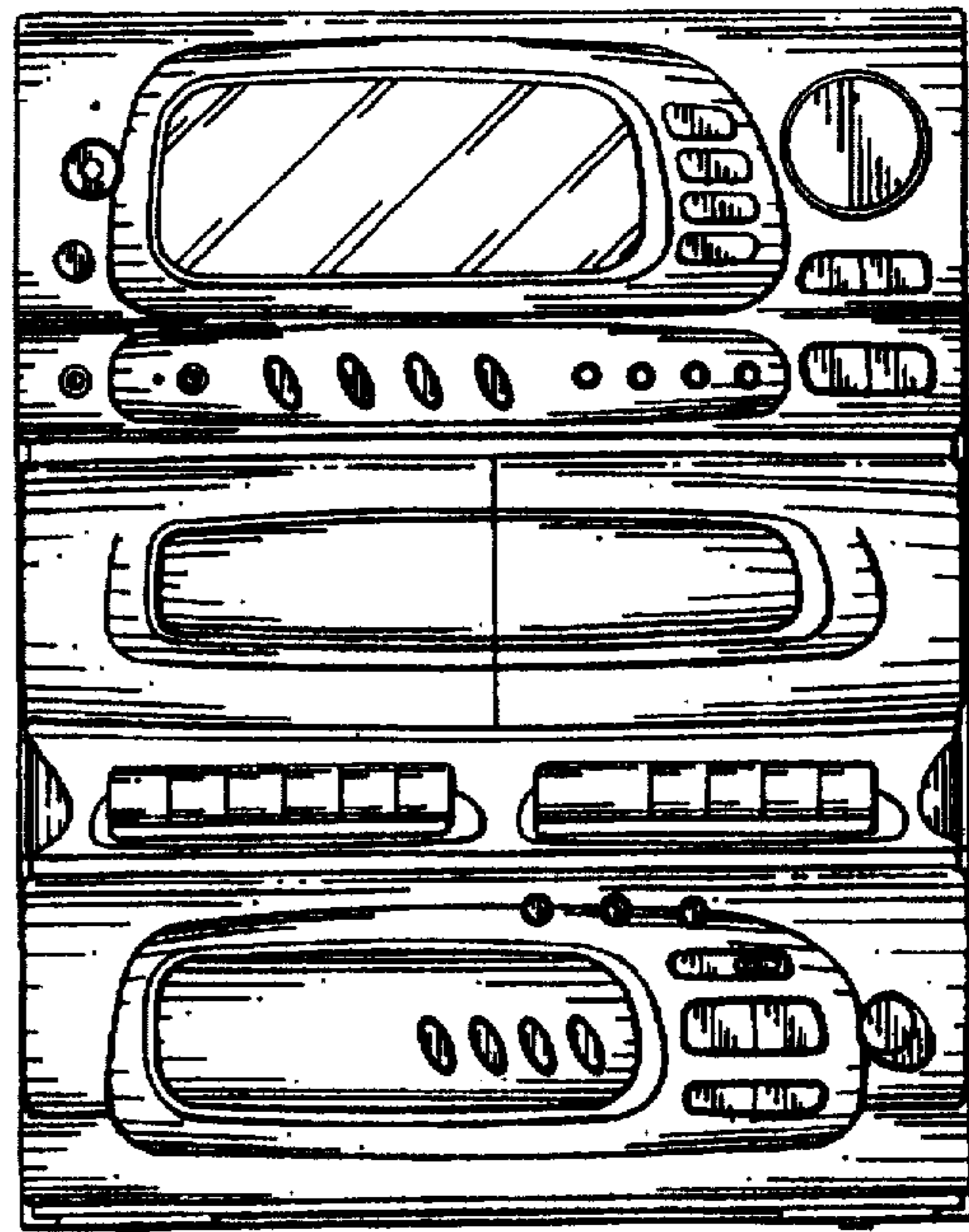


FIG. 5

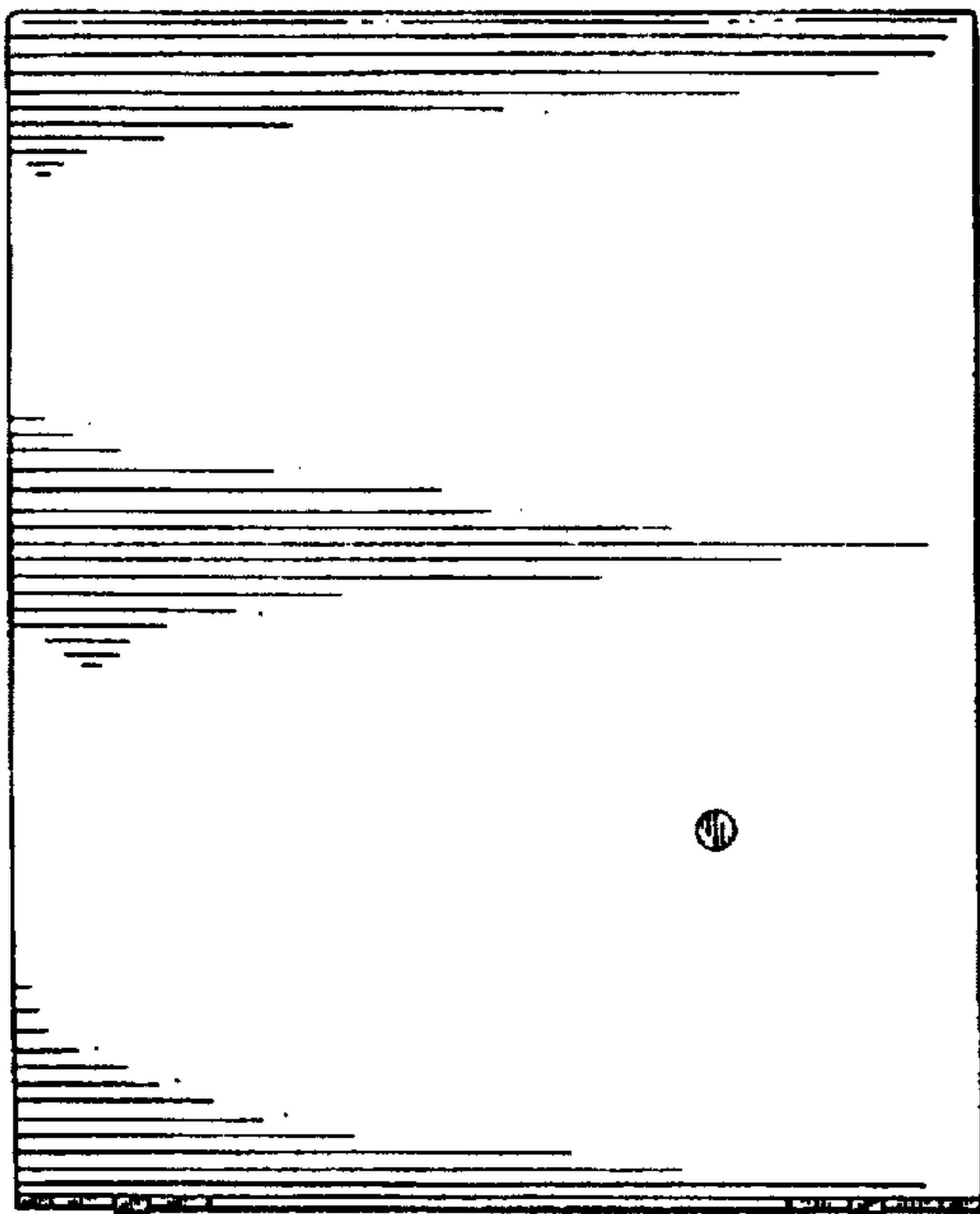


FIG. 6

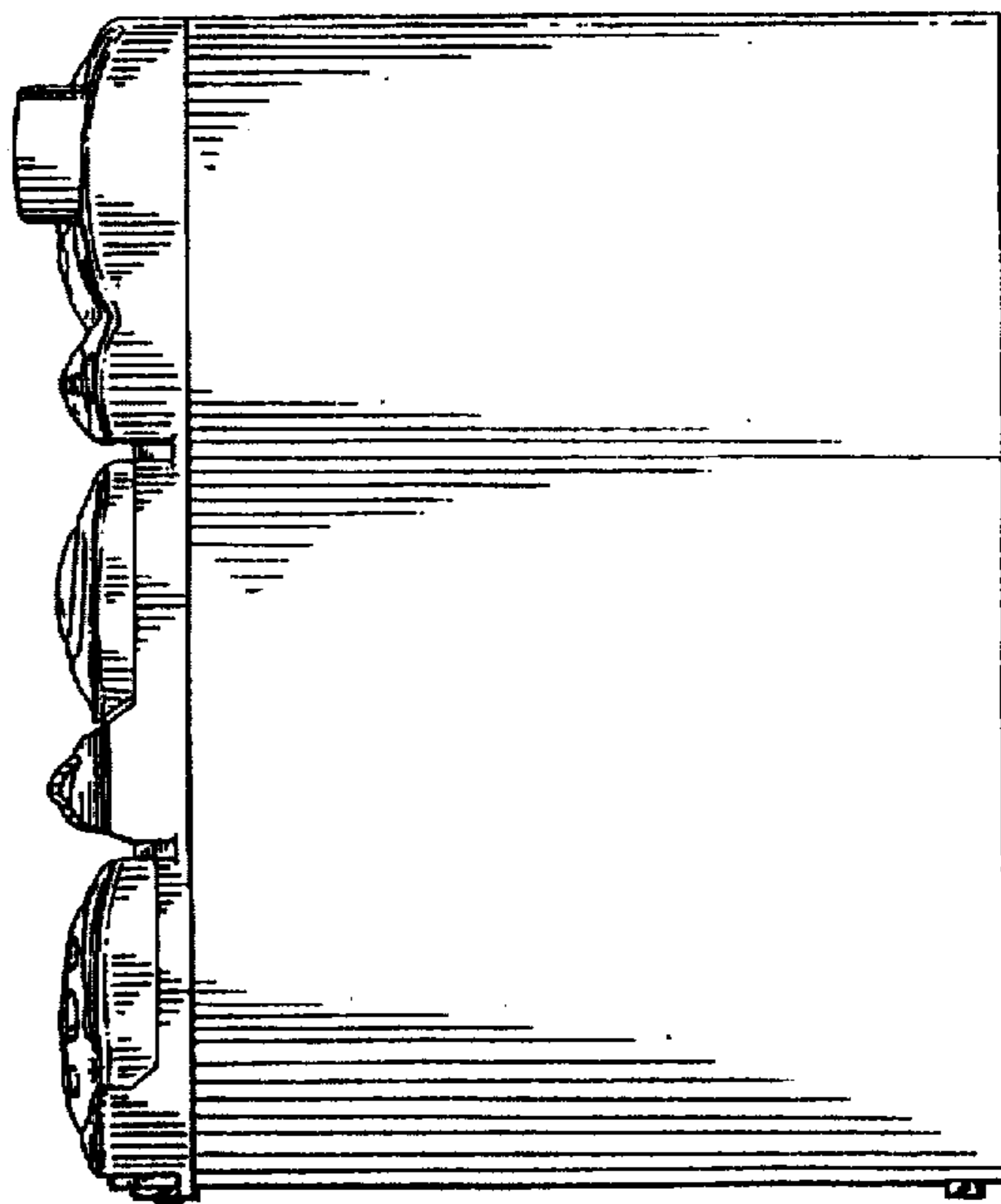


FIG. 7

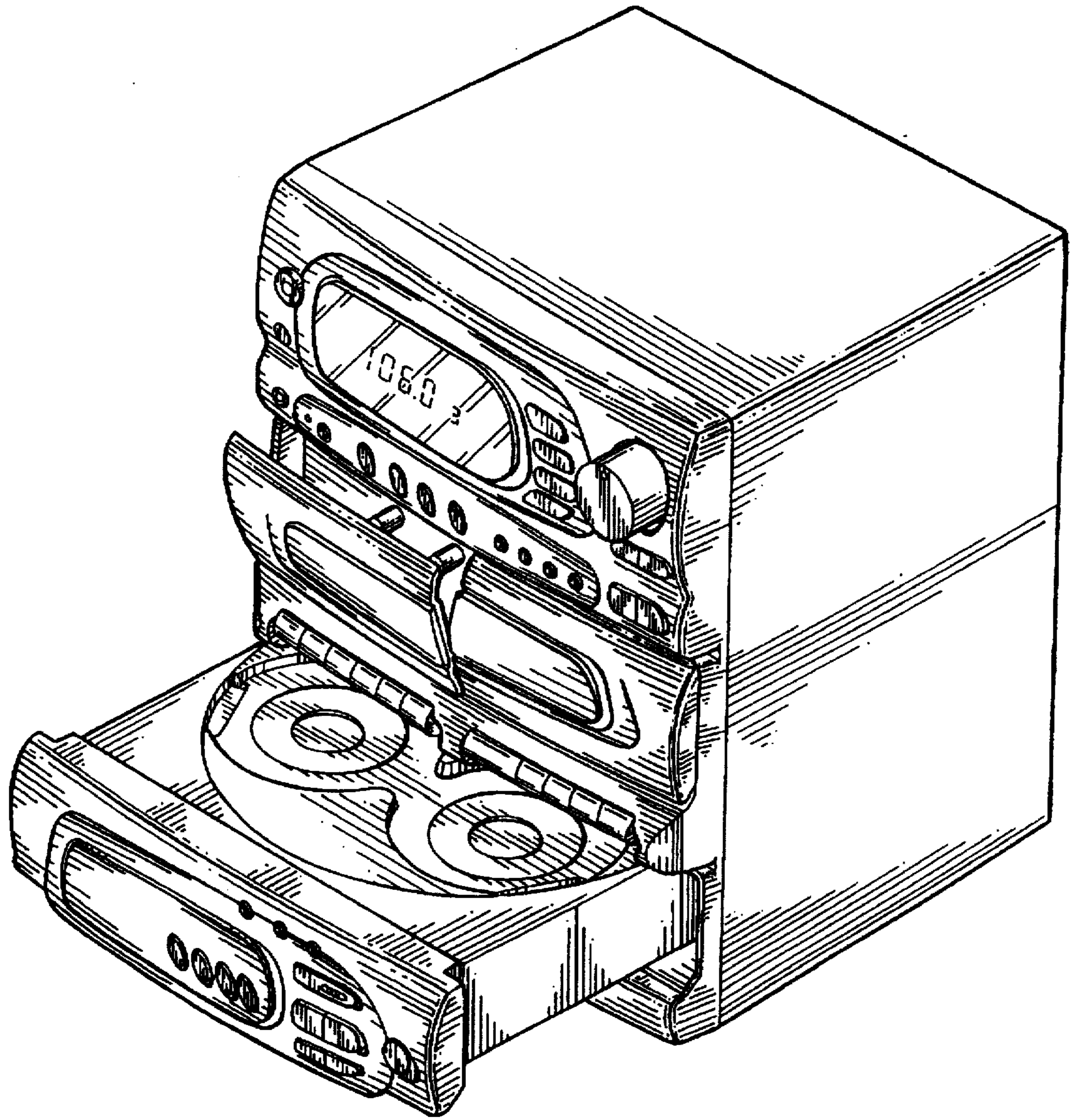


FIG. 8

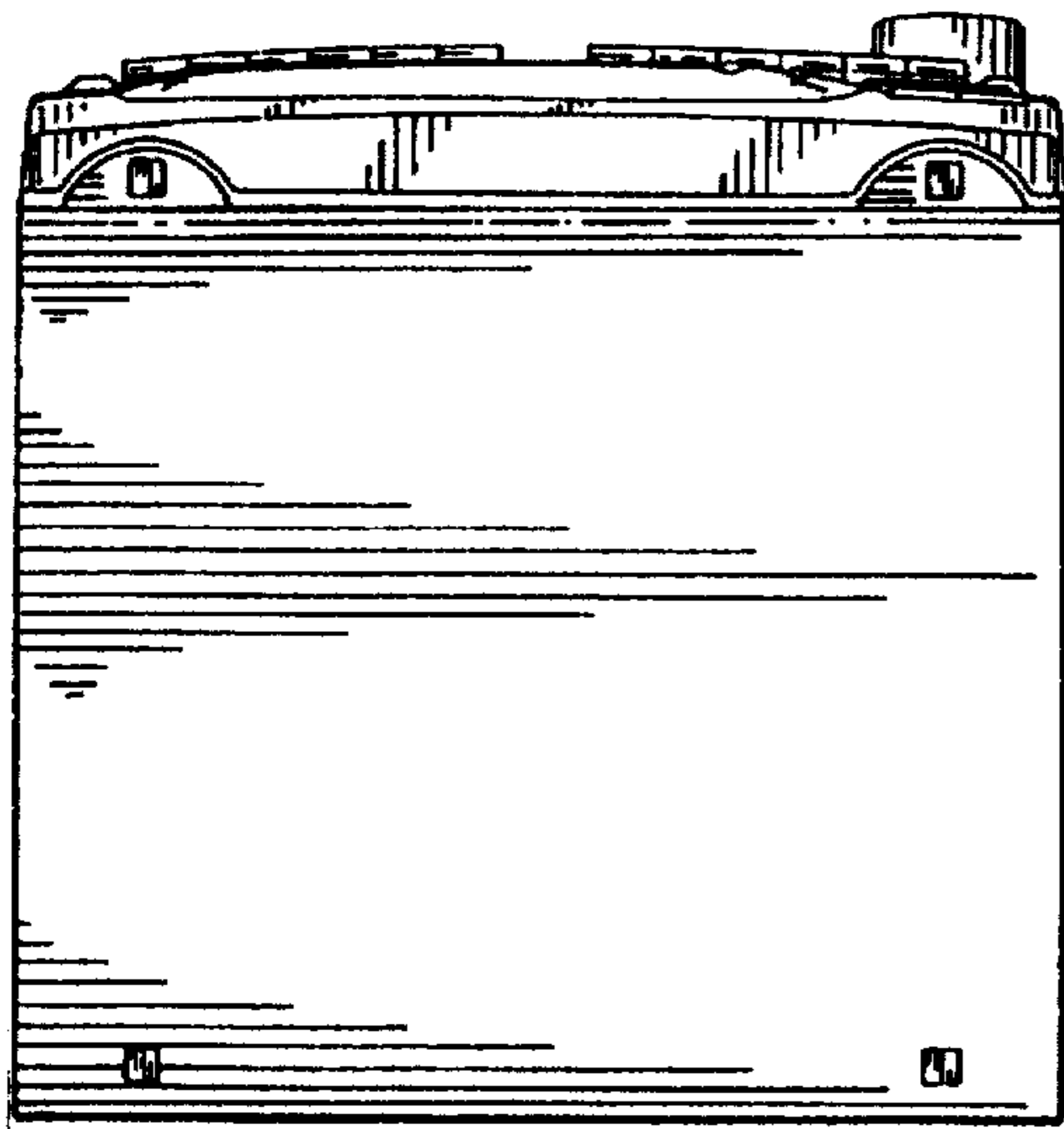


FIG. 9

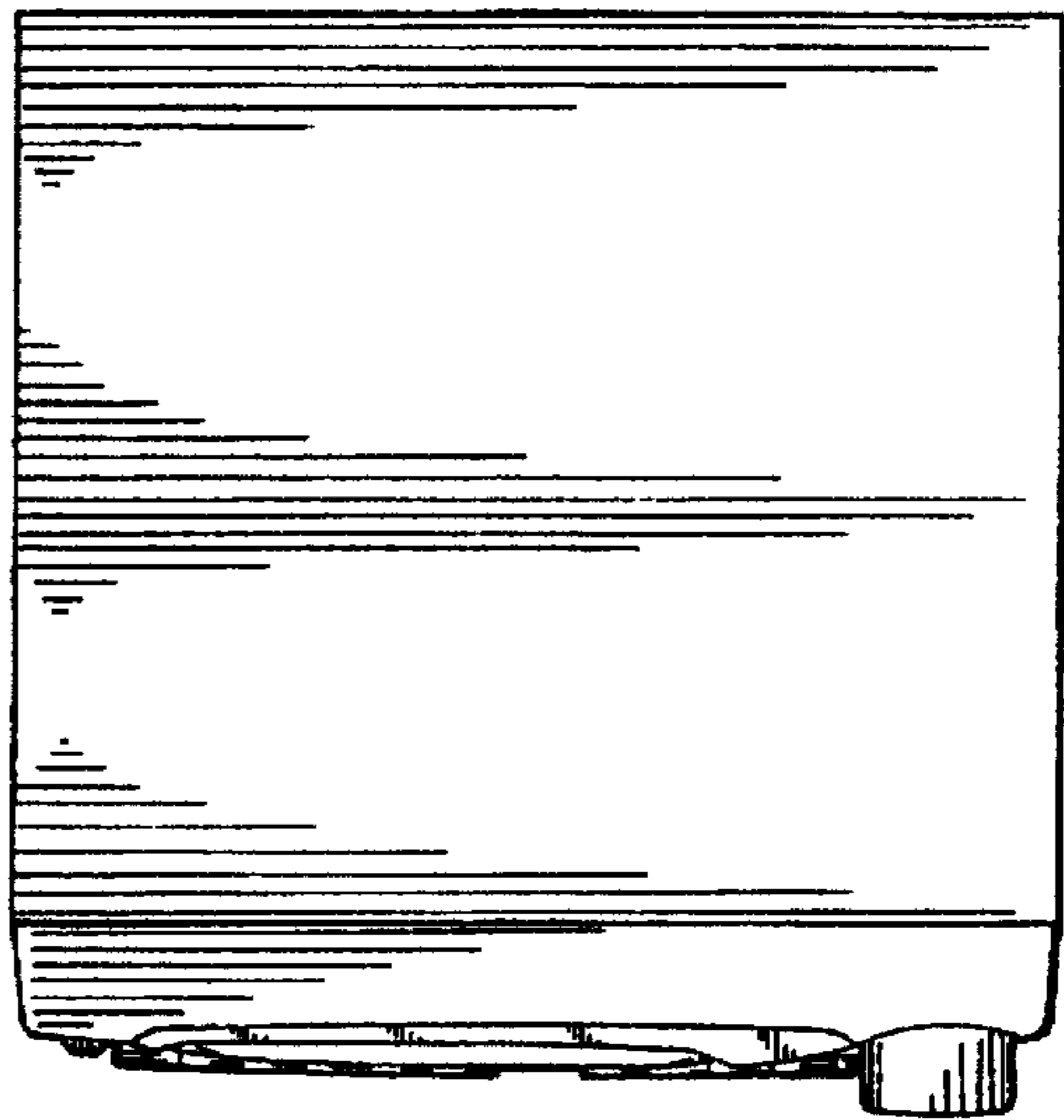


FIG. 10

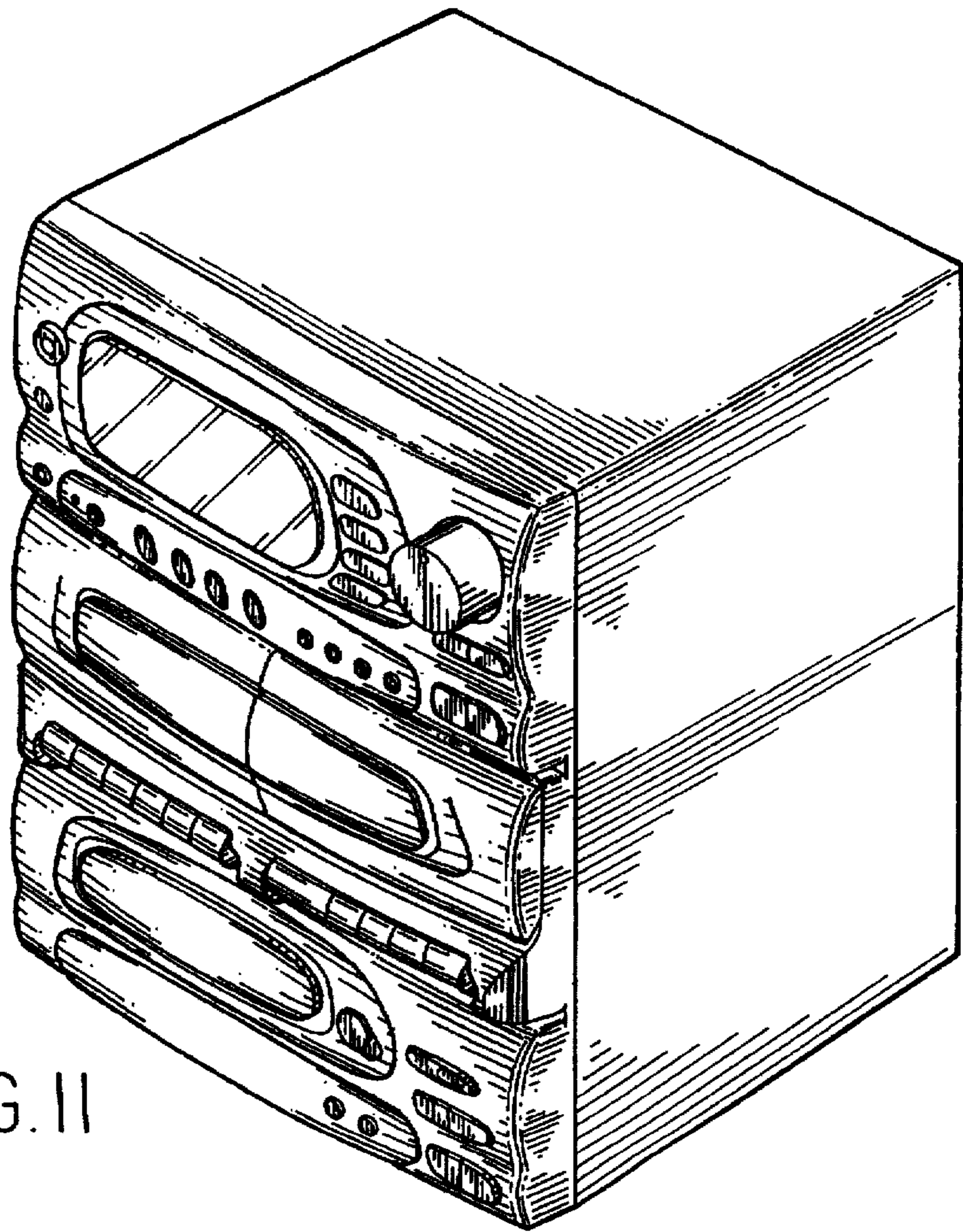


FIG. 11

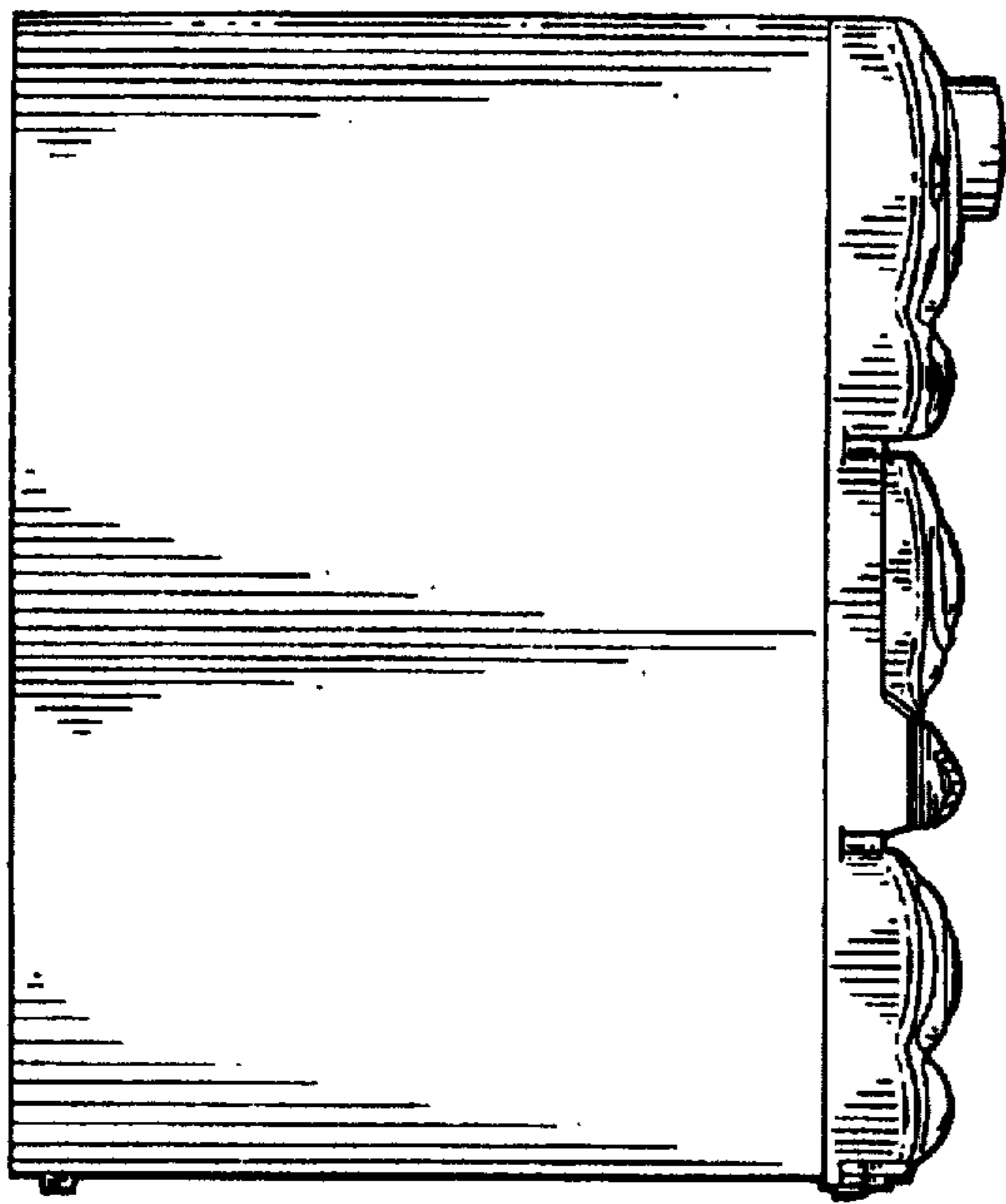


FIG. 12

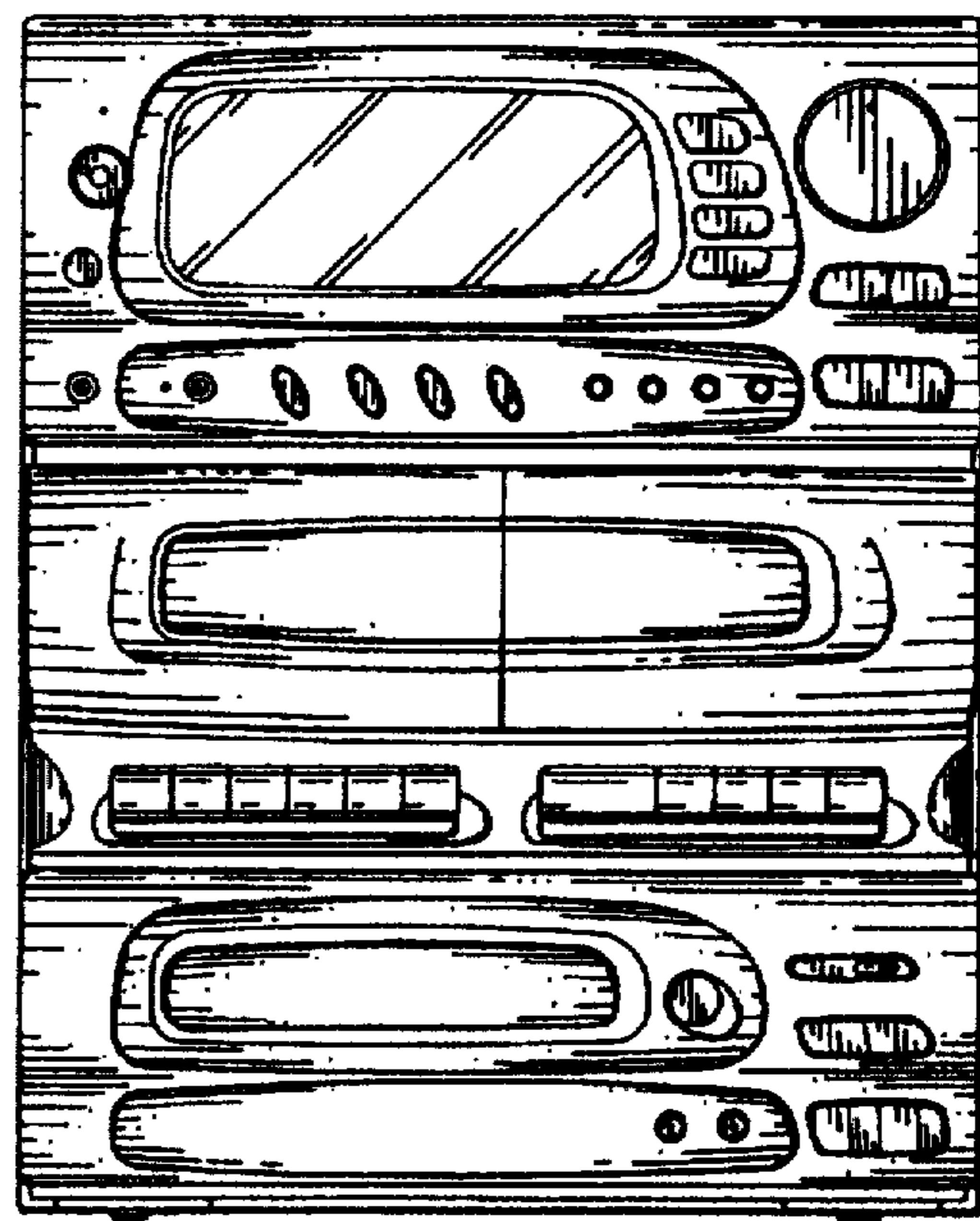


FIG. 13

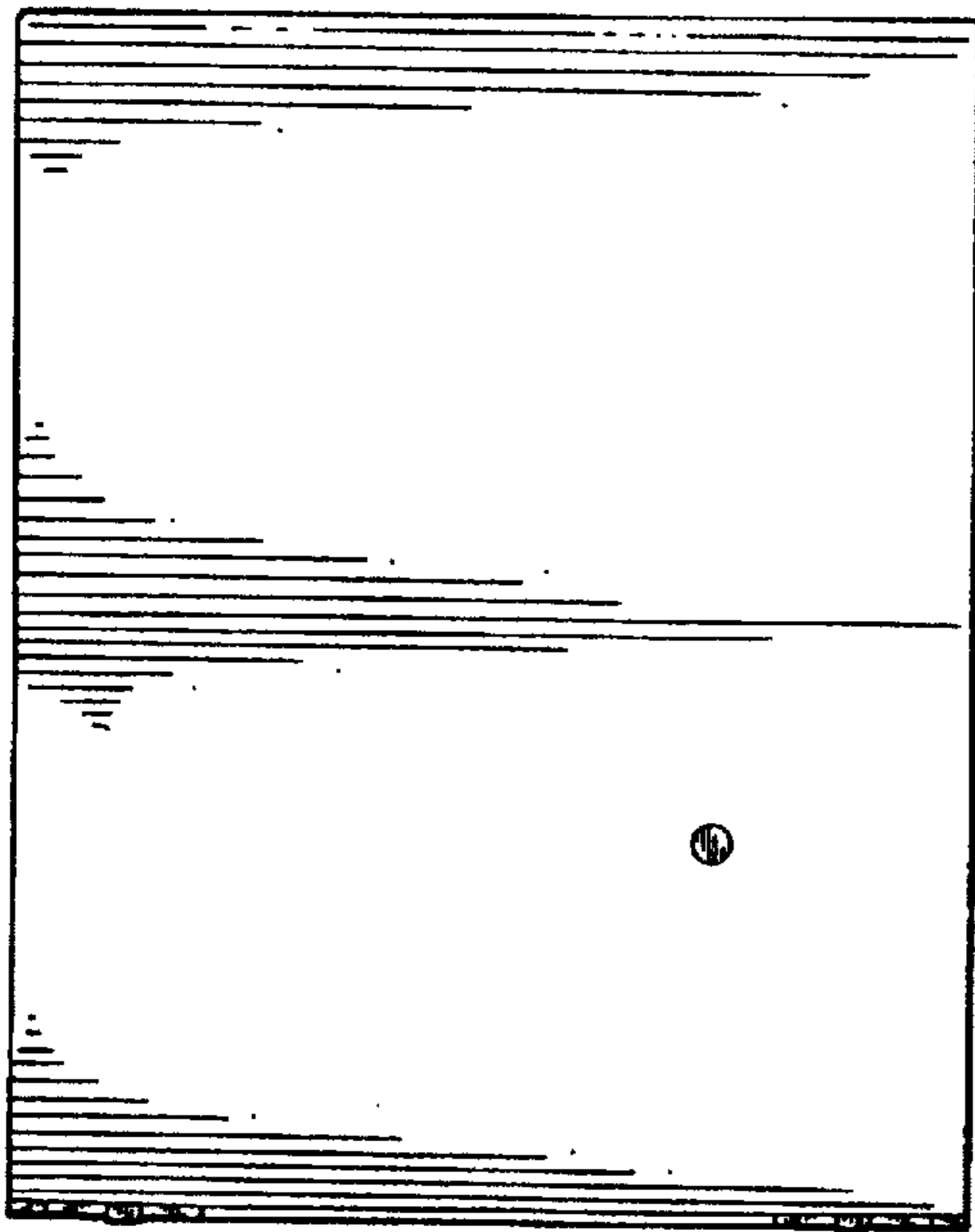


FIG. 14

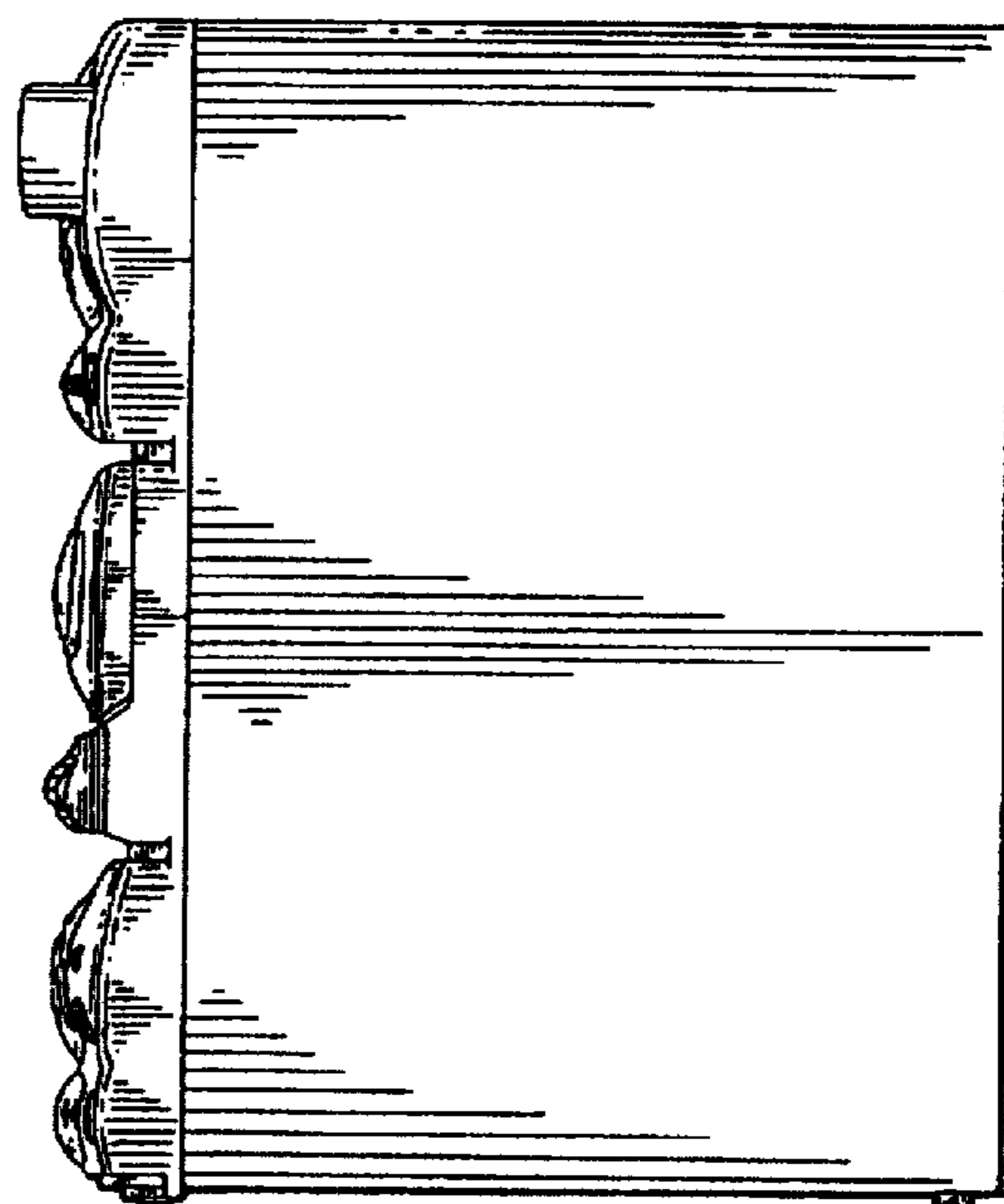


FIG. 15

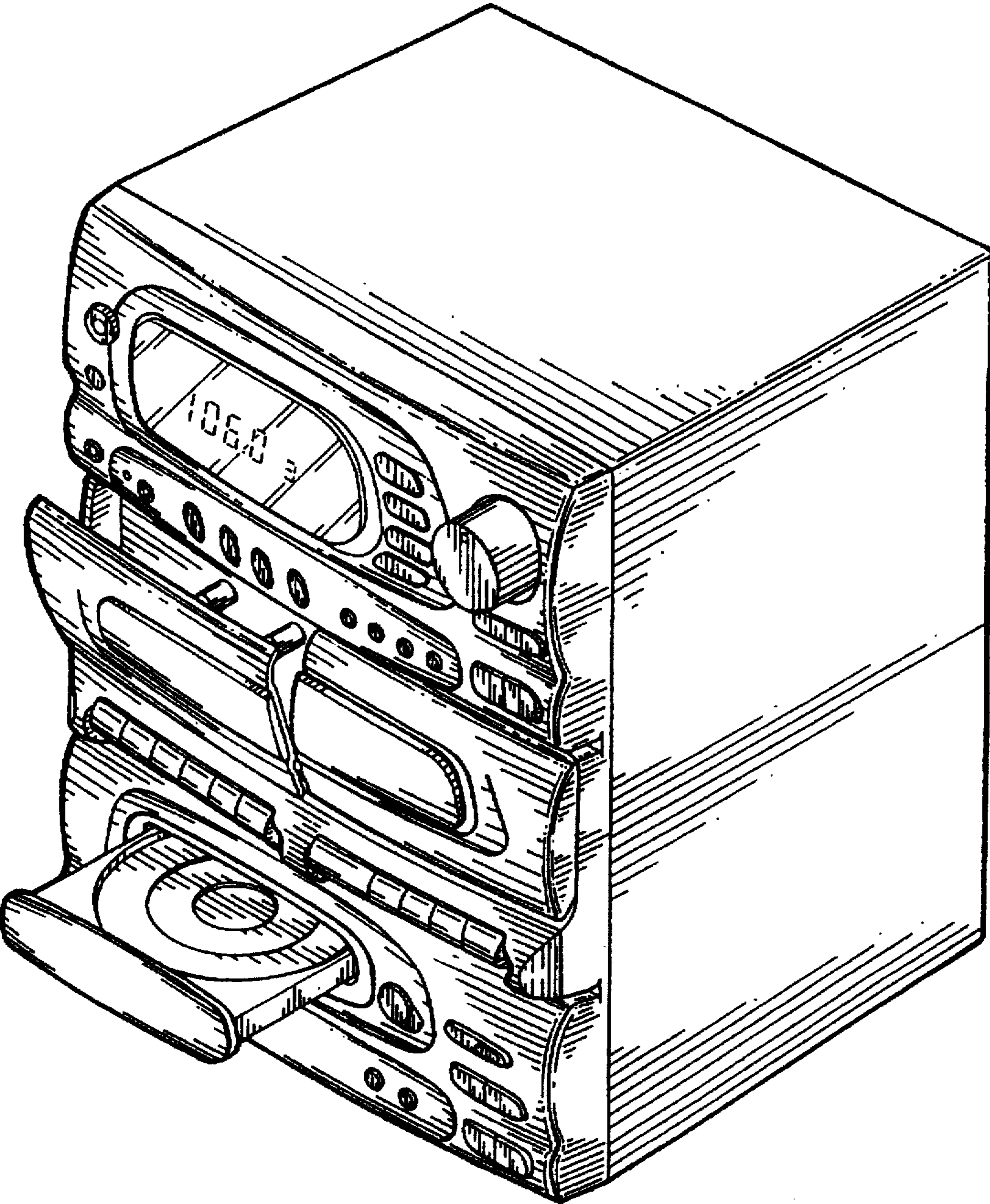


FIG. 16