



US00D387755S

**United States Patent** [19]  
**Shintani**

[11] **Patent Number: Des. 387,755**

[45] **Date of Patent: \*\*Dec. 16, 1997**

[54] **RECEIVER COMBINED WITH A VIDEO  
TAPE RECORDER**

[75] **Inventor: Eiji Shintani, Tokyo, Japan**

[73] **Assignee: Sony Corporation, Tokyo, Japan**

[\*\*] **Term: 14 Years**

[21] **Appl. No.: 57,598**

[22] **Filed: Jul. 29, 1996**

[51] **LOC (6) Cl. .... 14-01**

[52] **U.S. Cl. .... D14/135**

[58] **Field of Search ..... D14/124, 135,  
D14/136, 156, 239, 299; 386/46**

[56] **References Cited**

**U.S. PATENT DOCUMENTS**

D. 288,559	3/1987	Tanaka	.....	D14/156
D. 298,124	10/1988	Hayashi	.....	D14/135
D. 311,535	10/1990	Maeyama	.....	D14/135
D. 344,940	3/1994	Ito et al.	.....	D14/135

*Primary Examiner*—Prabhakar G. Deshmukh  
*Assistant Examiner*—Richelle Shelton  
*Attorney, Agent, or Firm*—Foley & Lardner

[57] **CLAIM**

The ornamental design for a receiver combined with a video tape recorder, as shown and described.

**DESCRIPTION**

FIG. 1 is a perspective view of a first embodiment of a receiver combined with a video tape recorder showing my new design;

FIG. 2 is a top plan view thereof;

FIG. 3 is a left side elevational view thereof;

FIG. 4 is a front elevational view thereof;

FIG. 5 is a right side elevational view thereof;

FIG. 6 is a rear elevational view thereof;

FIG. 7 is a bottom plan view thereof;

FIG. 8 is a perspective view of a second embodiment of a receiver combined with a video tape recorder showing my new design;

FIG. 9 is a top plan view of the embodiment of FIG. 8;

FIG. 10 is a left side elevational view of the embodiment of FIG. 8;

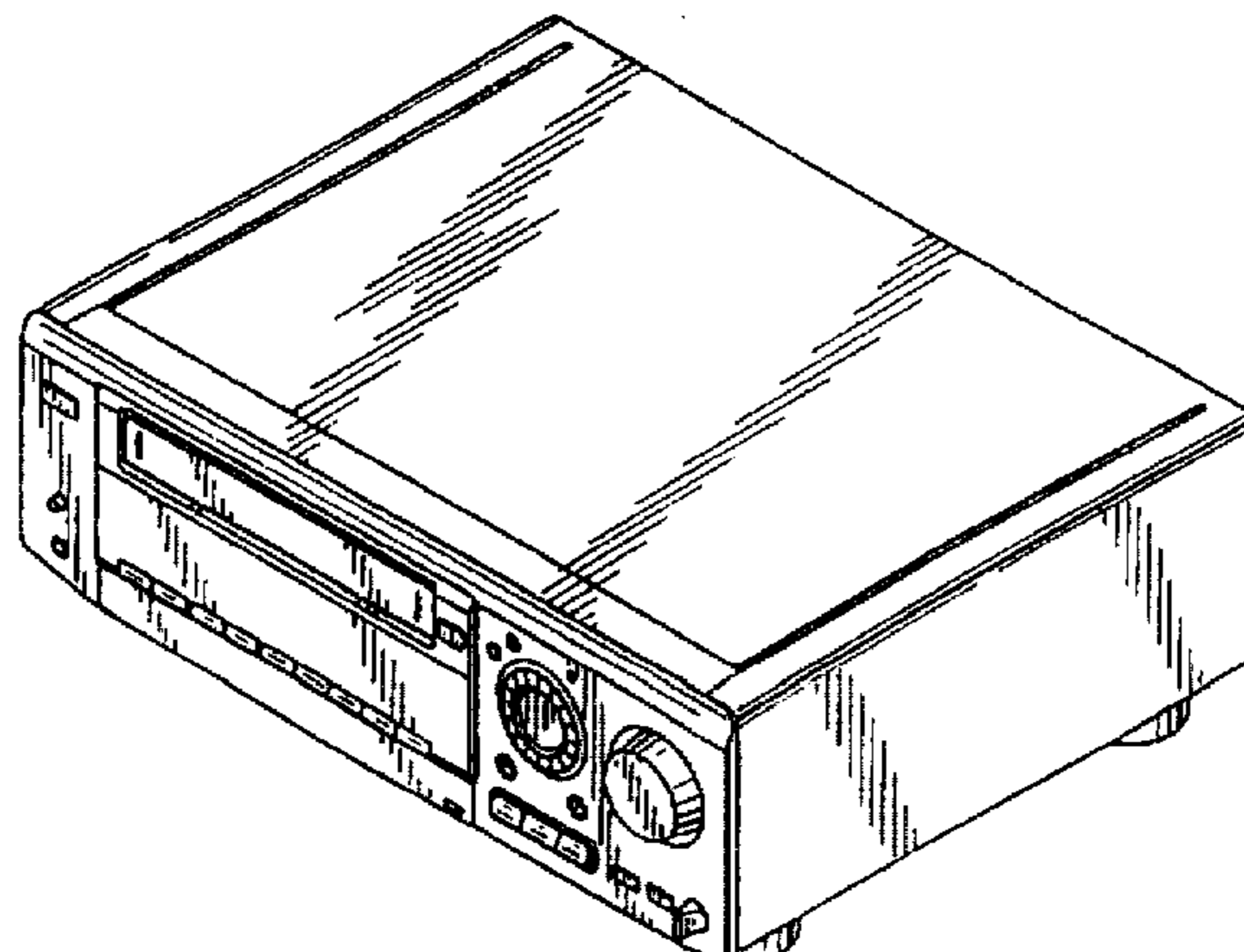
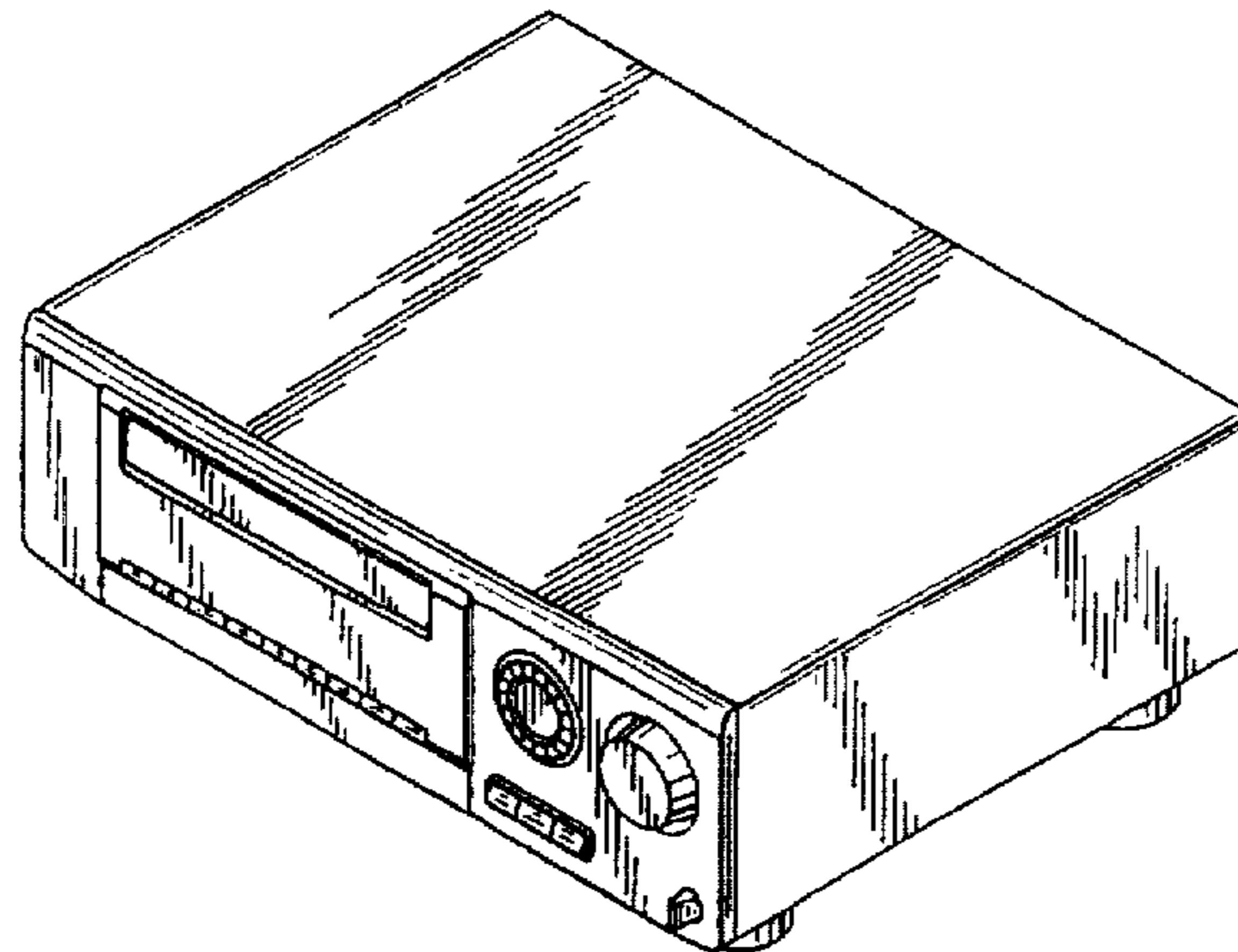
FIG. 11 is a front elevational view of the embodiment of FIG. 8;

FIG. 12 is a right side elevational view of the embodiment of FIG. 8;

FIG. 13 is a rear elevational view of the embodiment of FIG. 8 and,

FIG. 14 is a bottom plan view of the embodiment of FIG. 8.

**1 Claim, 6 Drawing Sheets**



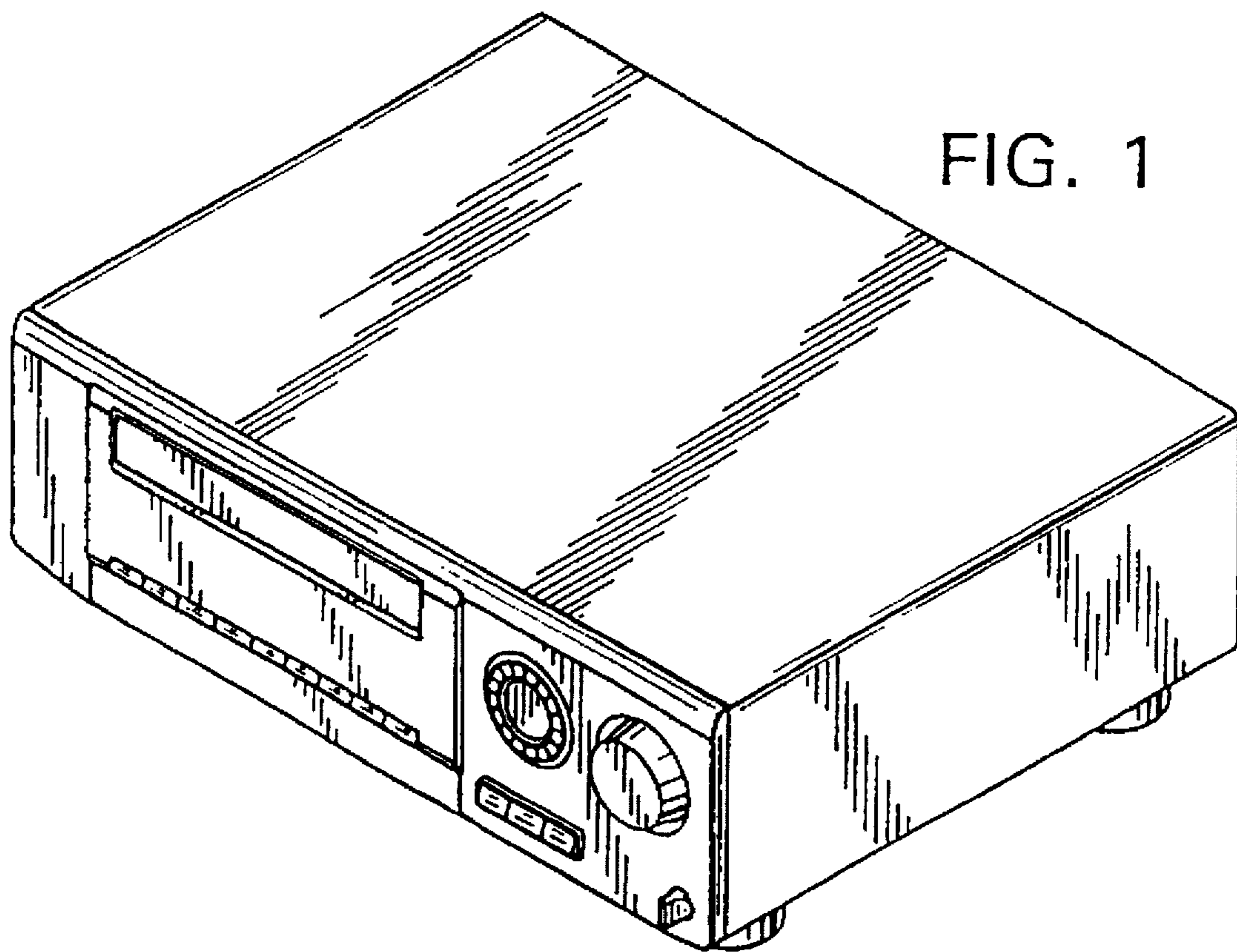


FIG. 1

FIG. 2

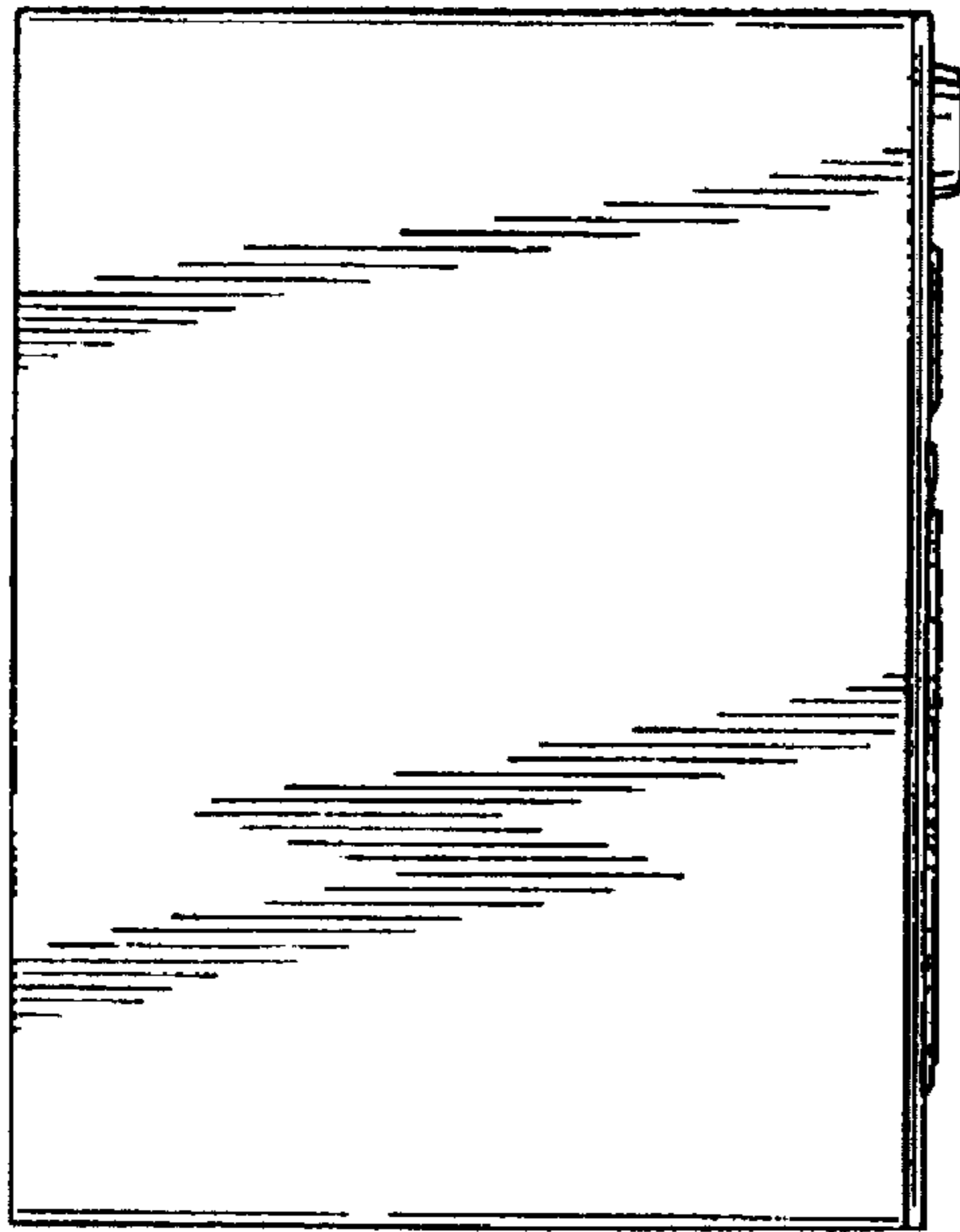


FIG. 3

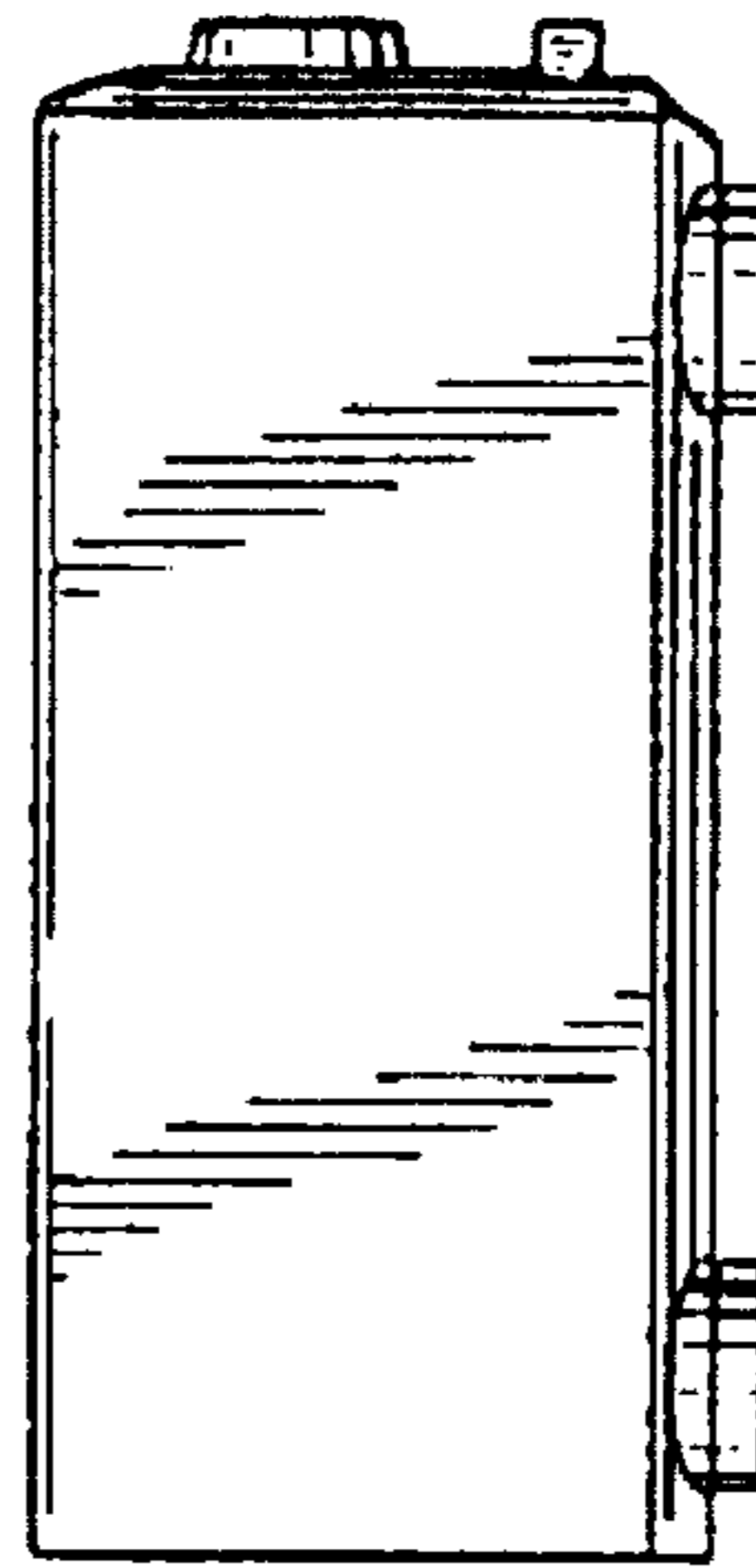


FIG. 4

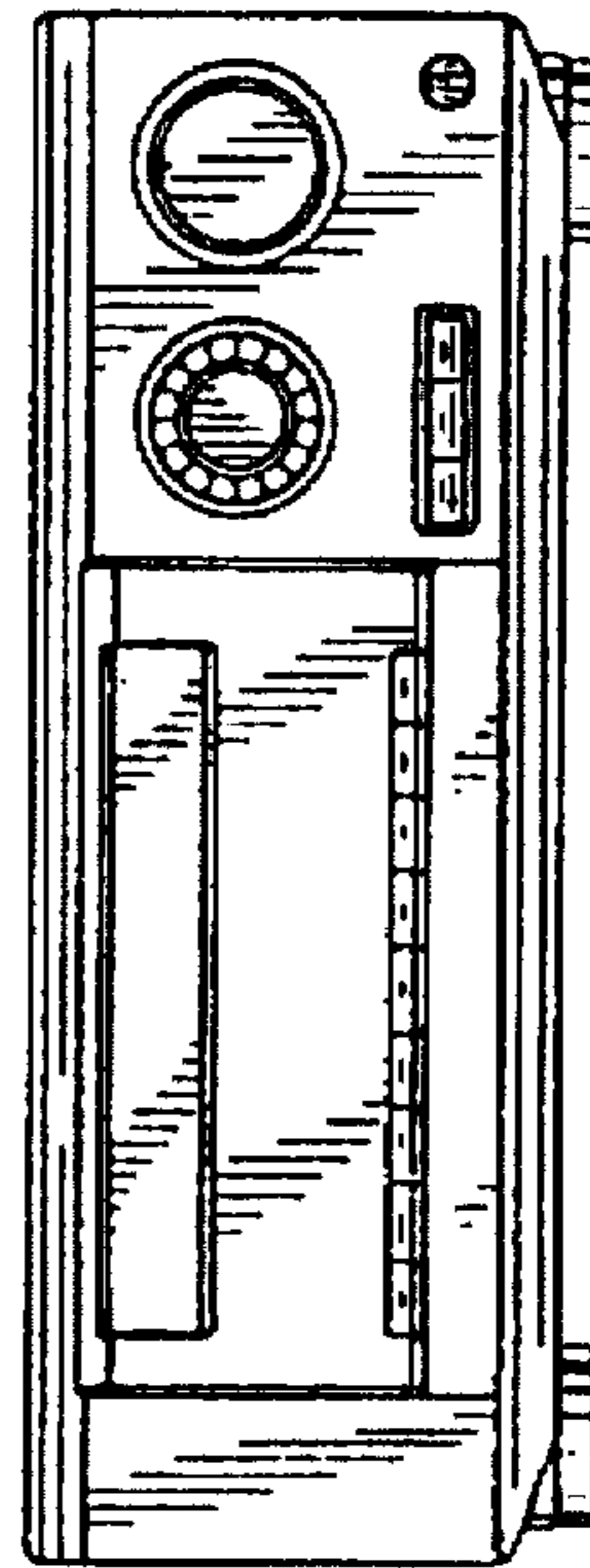


FIG. 5

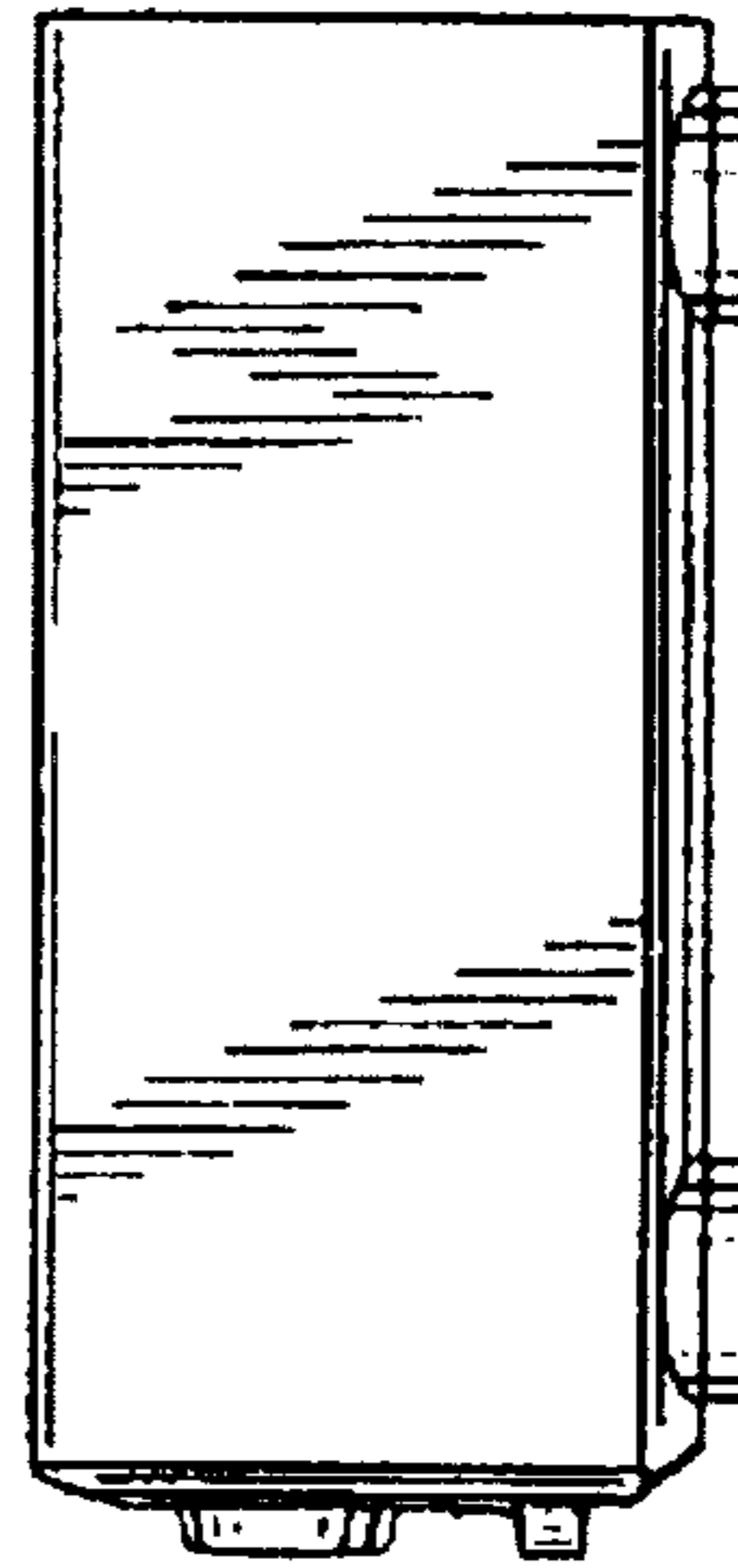


FIG. 6

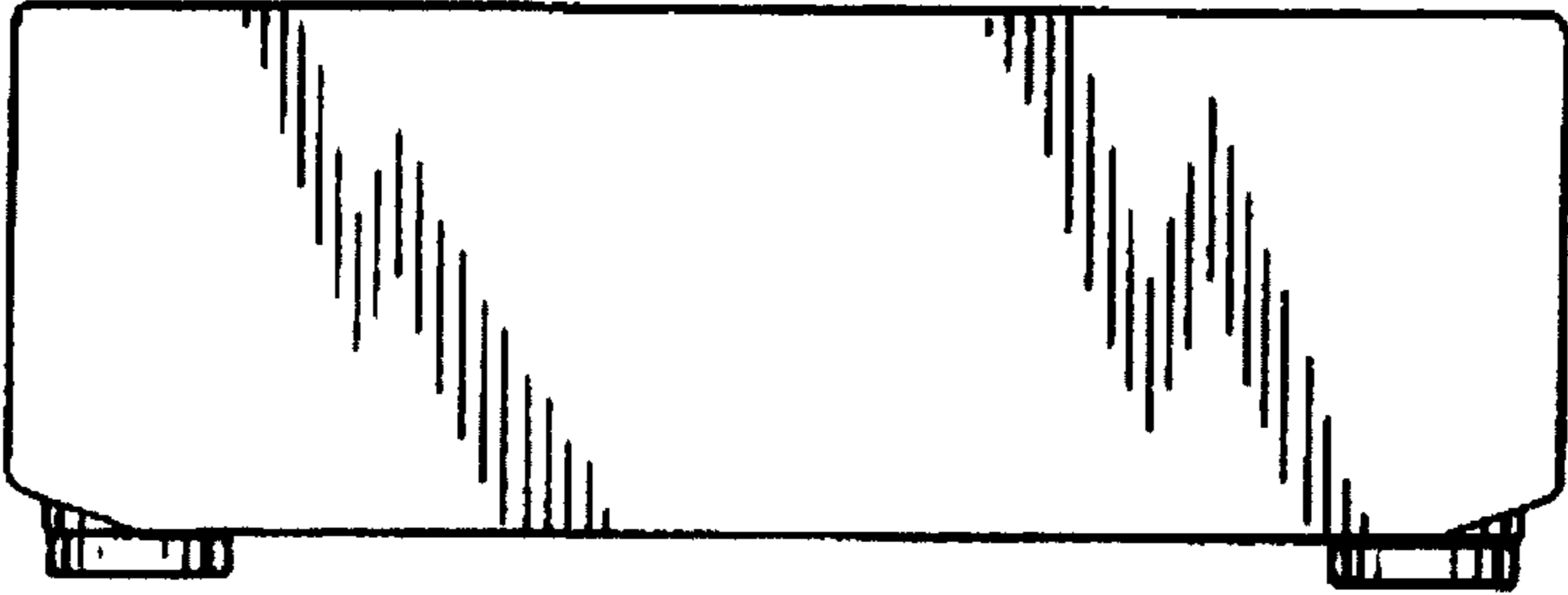
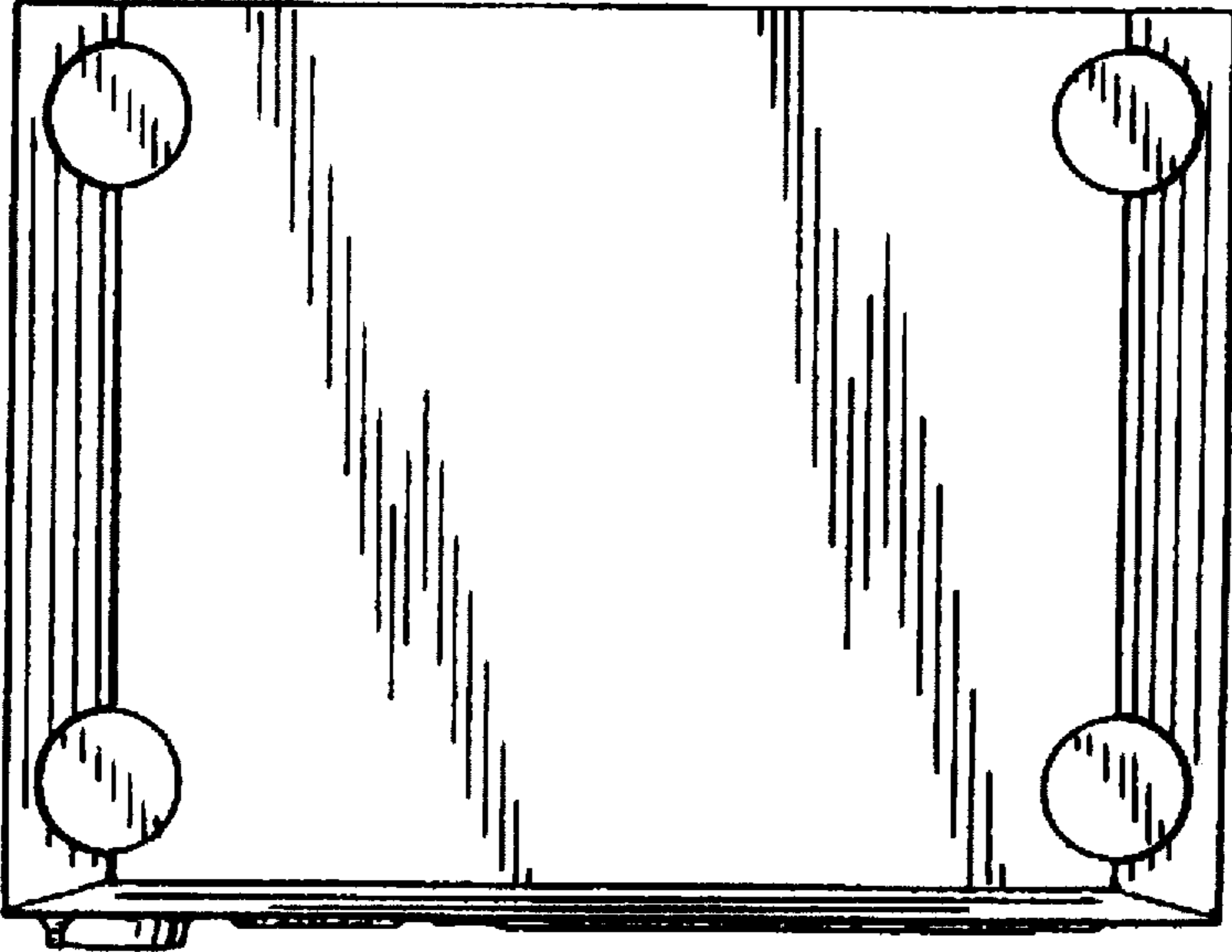


FIG. 7



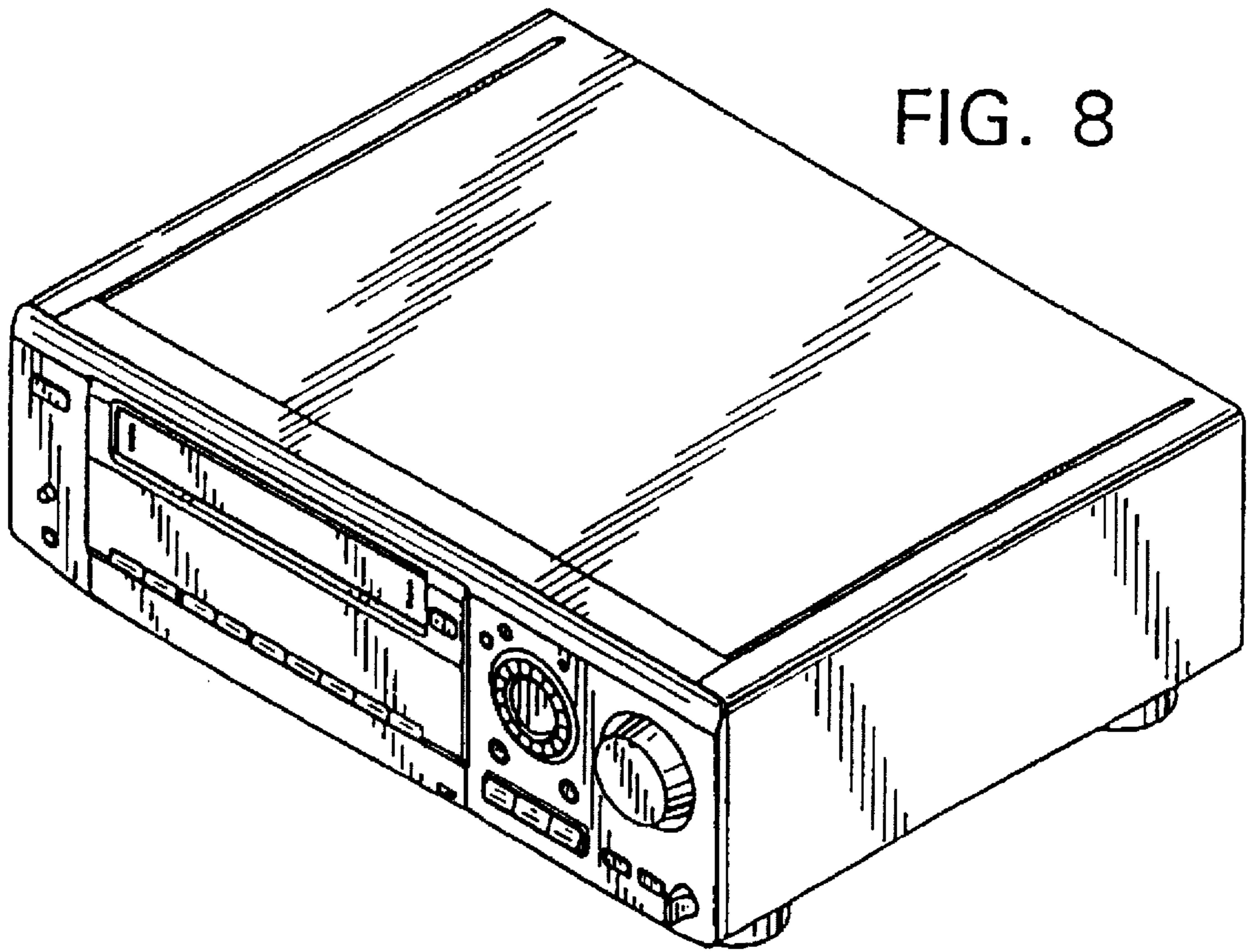


FIG. 8

FIG. 9

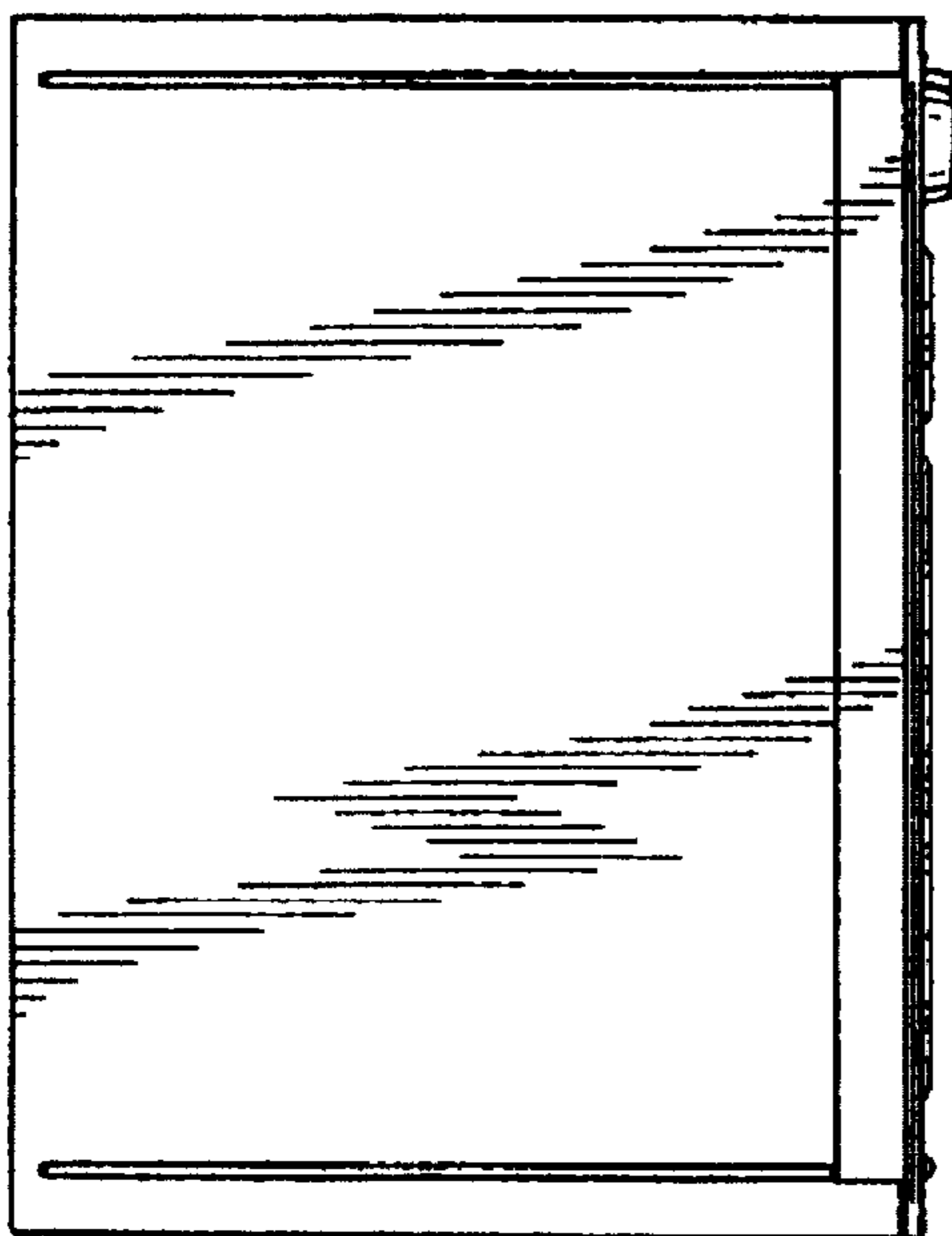


FIG. 10

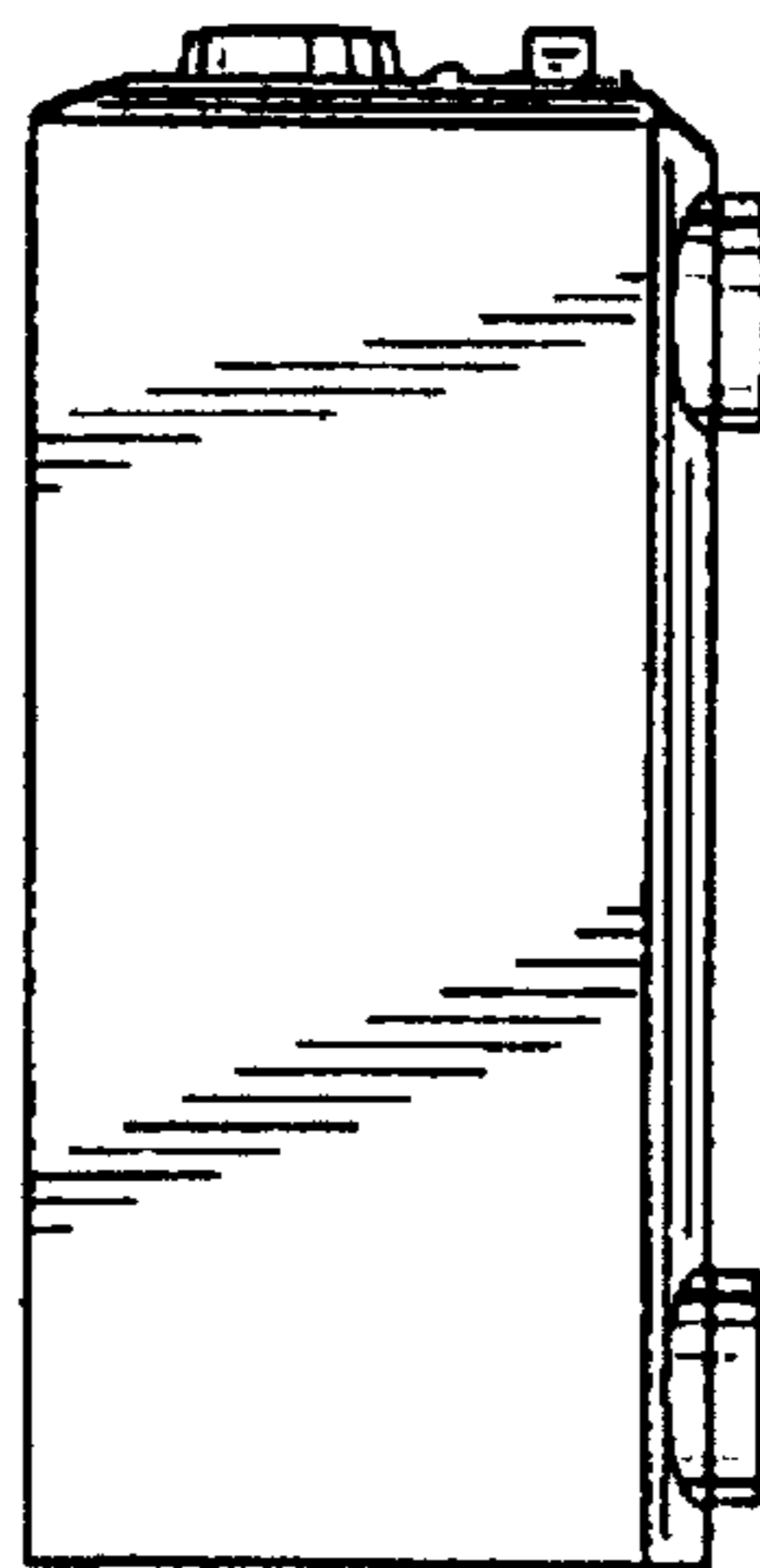


FIG. 11

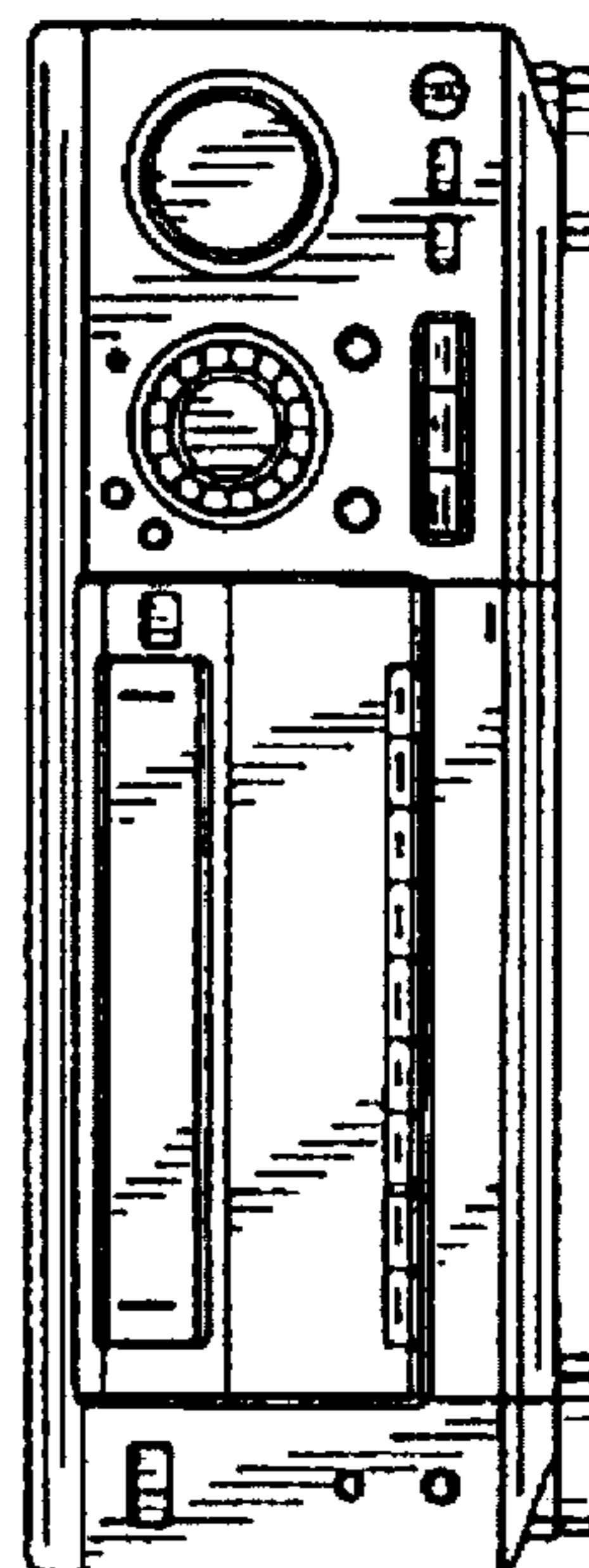


FIG. 12

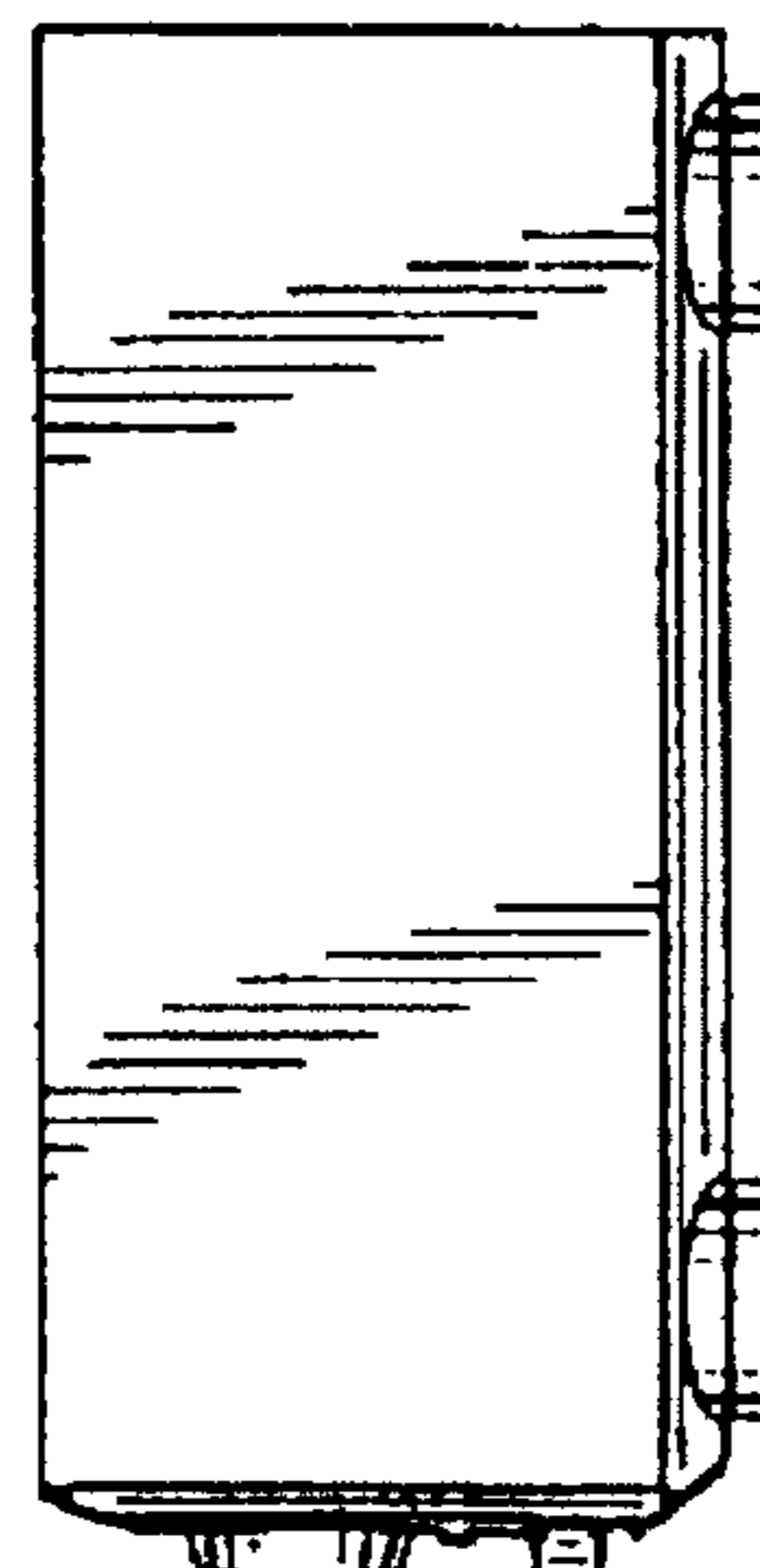


FIG. 13

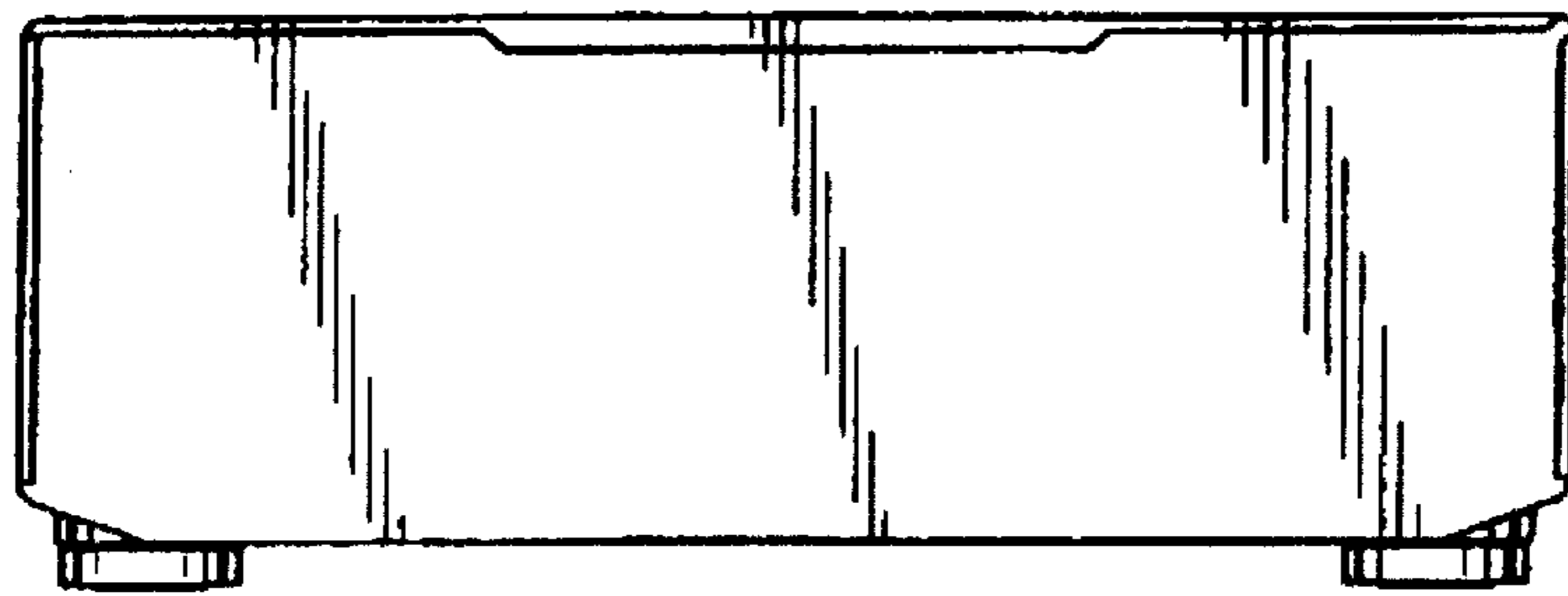


FIG. 14

