



US00D387754S

# United States Patent [19]

Stewart et al.

[11] Patent Number: **Des. 387,754**

[45] Date of Patent: **\*\*Dec. 16, 1997**

## [54] HEAD PORTION OF A SCANNER

[75] Inventors: **James R. Stewart**, Woodinville, Wash.;  
**Kenneth D. Wood**, Woodside; **David W. Laituri**, Palo Alto, both of Calif.;  
**Andrew E. Reynolds**, Bothell, Wash.

[73] Assignee: **Intermec Corporation**, Everett, Wash.

[\*\*] Term: **14 Years**

[21] Appl. No.: **60,873**

[22] Filed: **Oct. 9, 1996**

[51] LOC (6) CL ..... **14-02**

[52] U.S. Cl. .... **D14/116**

[58] Field of Search ..... D14/100, 107,  
D14/114, 116; D19/41-51; 235/454, 470,  
472; 250/566, 239; 382/58-69; 354/80-82

## [56] References Cited

### U.S. PATENT DOCUMENTS

D. 340,170	10/1993	Grelpin et al.	.....	D14/116
D. 352,936	11/1994	Karlin	.....	D14/116
D. 358,588	5/1995	LaManna et al.	.....	D14/116
D. 361,565	8/1995	LaManna et al.	.....	D14/116
D. 374,869	10/1996	Karlin	.....	D14/116

### OTHER PUBLICATIONS

1565 Bar Code Laser Scanner With Display and Keypad, Product Brochure, Intermec Corporation, Jun., 1993.

1545 Bar Code Laser Scanner, Product Brochure, Intermec Corporation, Mar., 1993.

1585 Advanced Long-Range Scanner and 1586 High-Visibility Scanner, Product Brochure, Intermec Corporation, Oct., 1991.

1620 Bar Code Laser Scanner, Product Brochure, Intermec Corporation, May, 1991.

1515 Visible Laser Diode Bar Code Scanner, Product Brochure, Intermec Corporation, May, 1991.

1461 Charge-Coupled Device Scanner, Product Brochure, Intermec Corporation, Apr., 1991.

1621 Laser Scanner for Very High Density Bar Code, Product Brochure, Intermec Corporation, Feb., 1991.

*Primary Examiner*—Kay H. Chin

*Attorney, Agent, or Firm*—Seed and Berry LLP

## [57] CLAIM

The ornamental design for a head portion of a scanner, as shown and described.

## DESCRIPTION

FIG. 1 is a front isometric view of a head portion of a scanner showing our new design;

FIG. 2 is a front elevational view thereof;

FIG. 3 is a rear elevational view thereof;

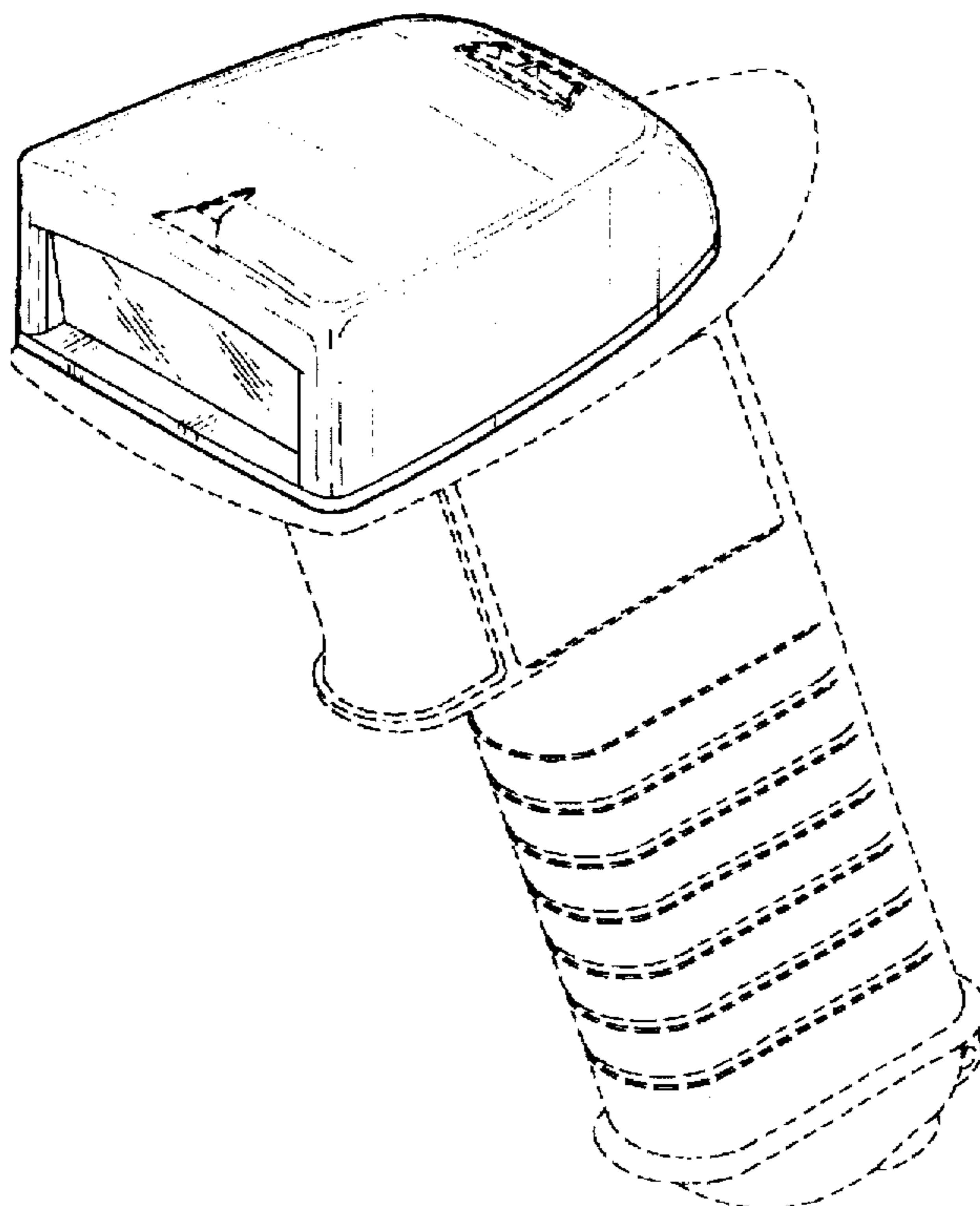
FIG. 4 is the rear elevational view of FIG. 3 showing a portion of a hilt removed;

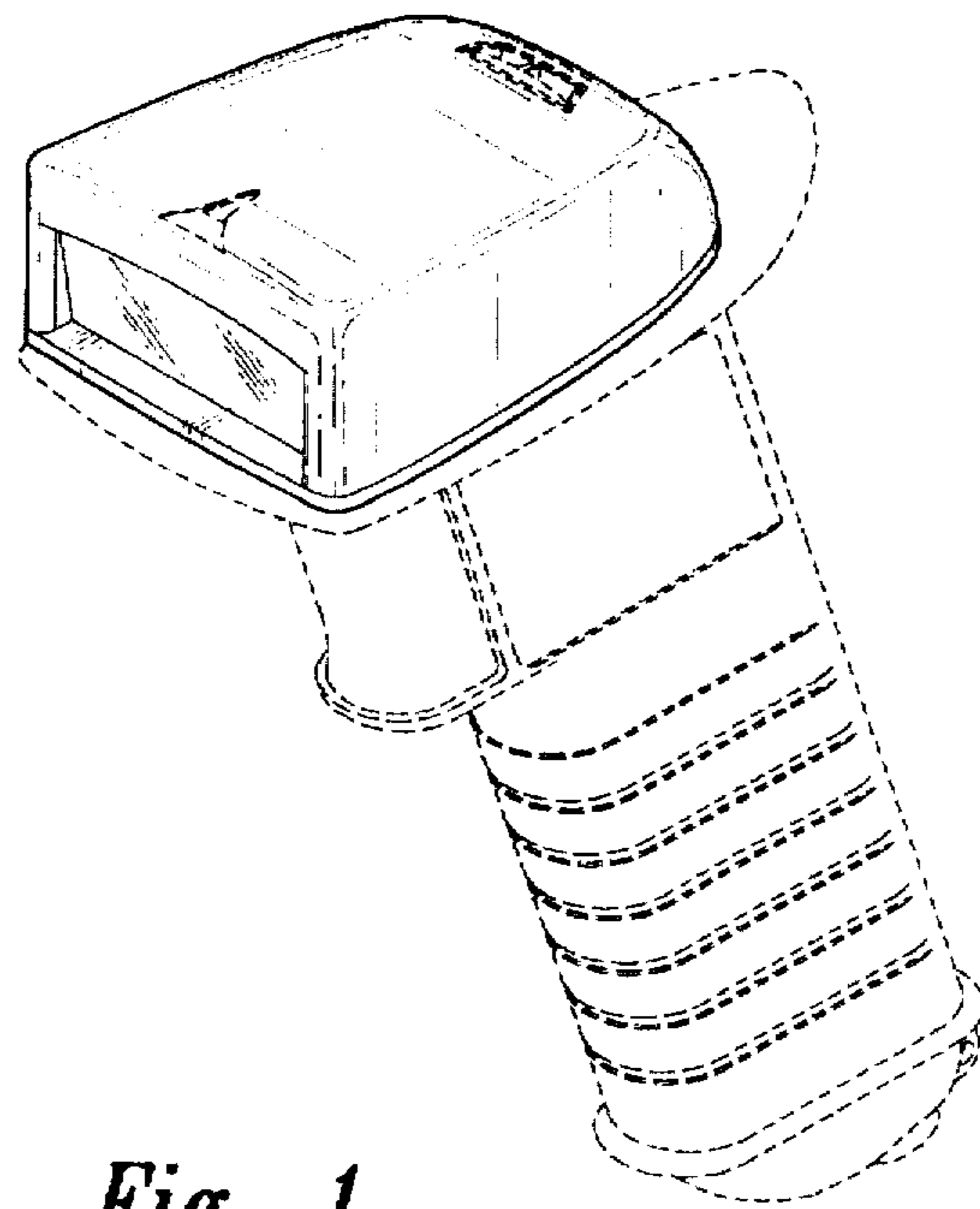
FIG. 5 is a top plan view thereof; and,

FIG. 6 is a left side elevational view thereof, the right side elevational view being a mirror image thereof.

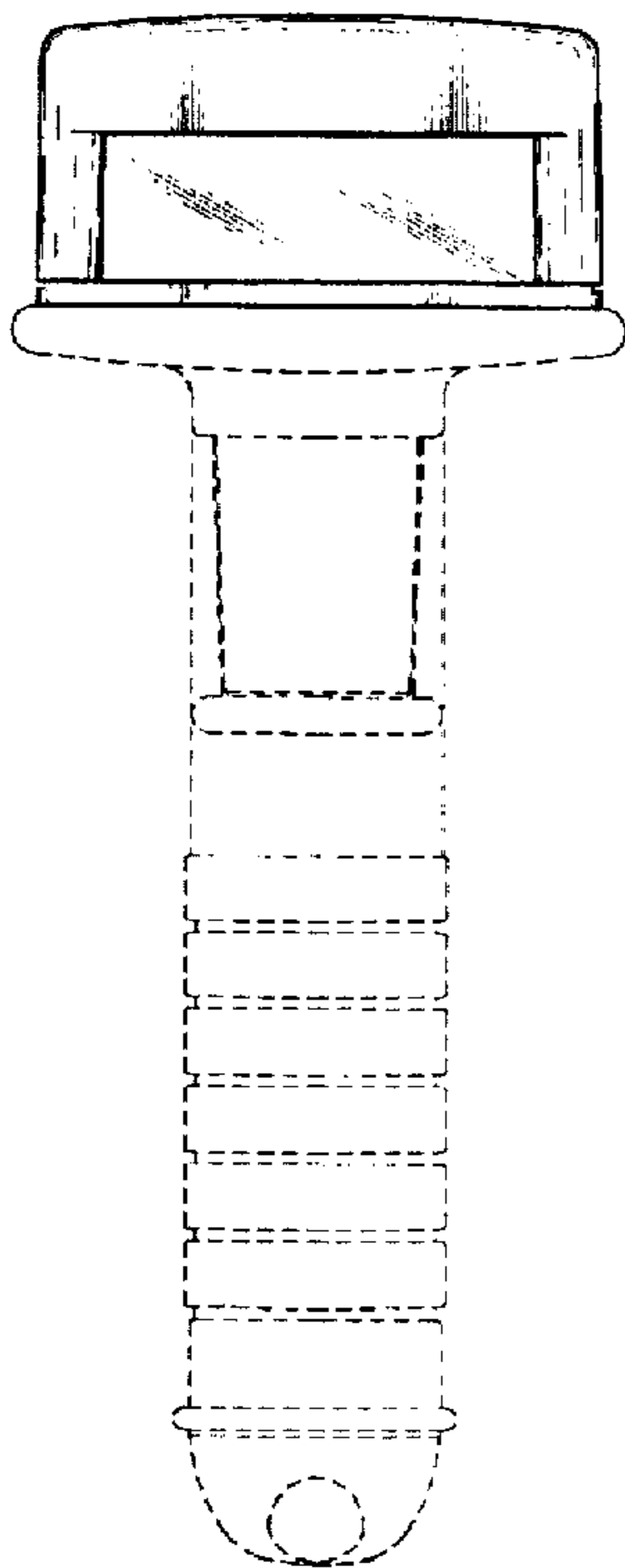
The broken lines in the figures are for illustrative purposes only and form no part of the claimed design.

**1 Claim, 2 Drawing Sheets**

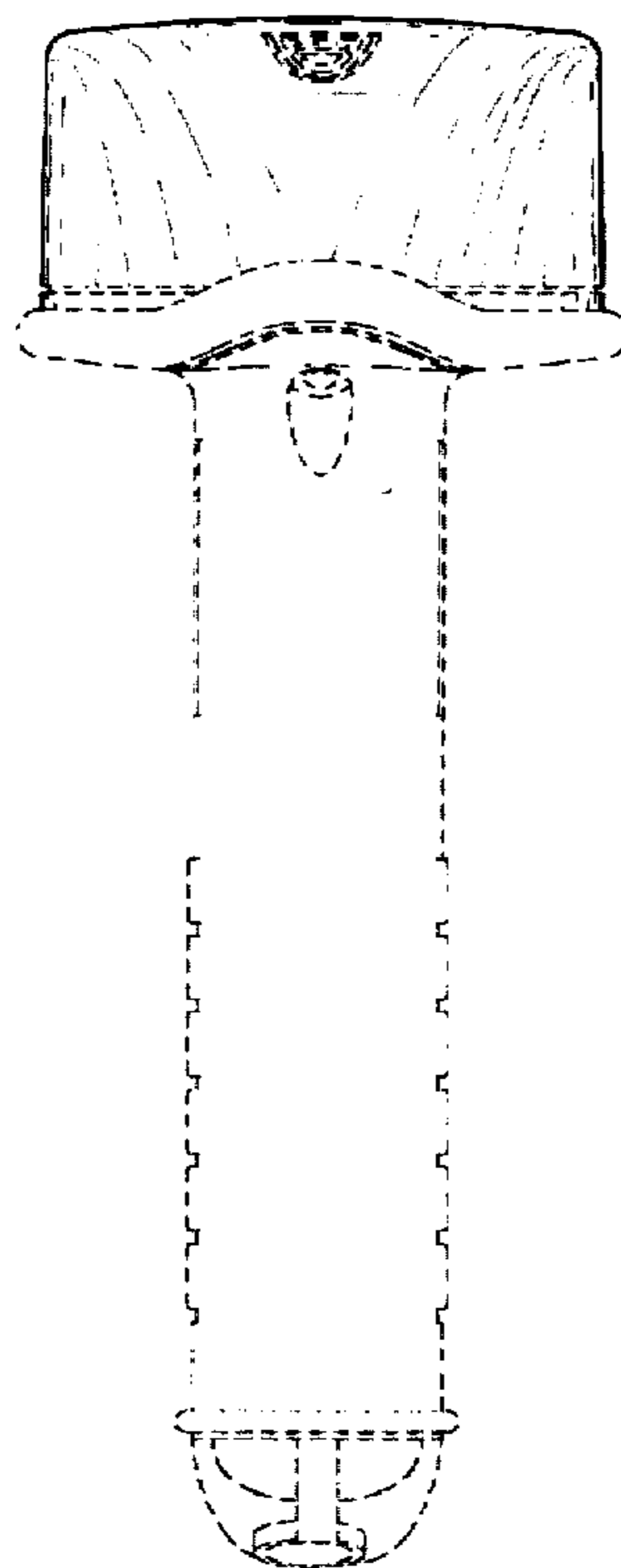




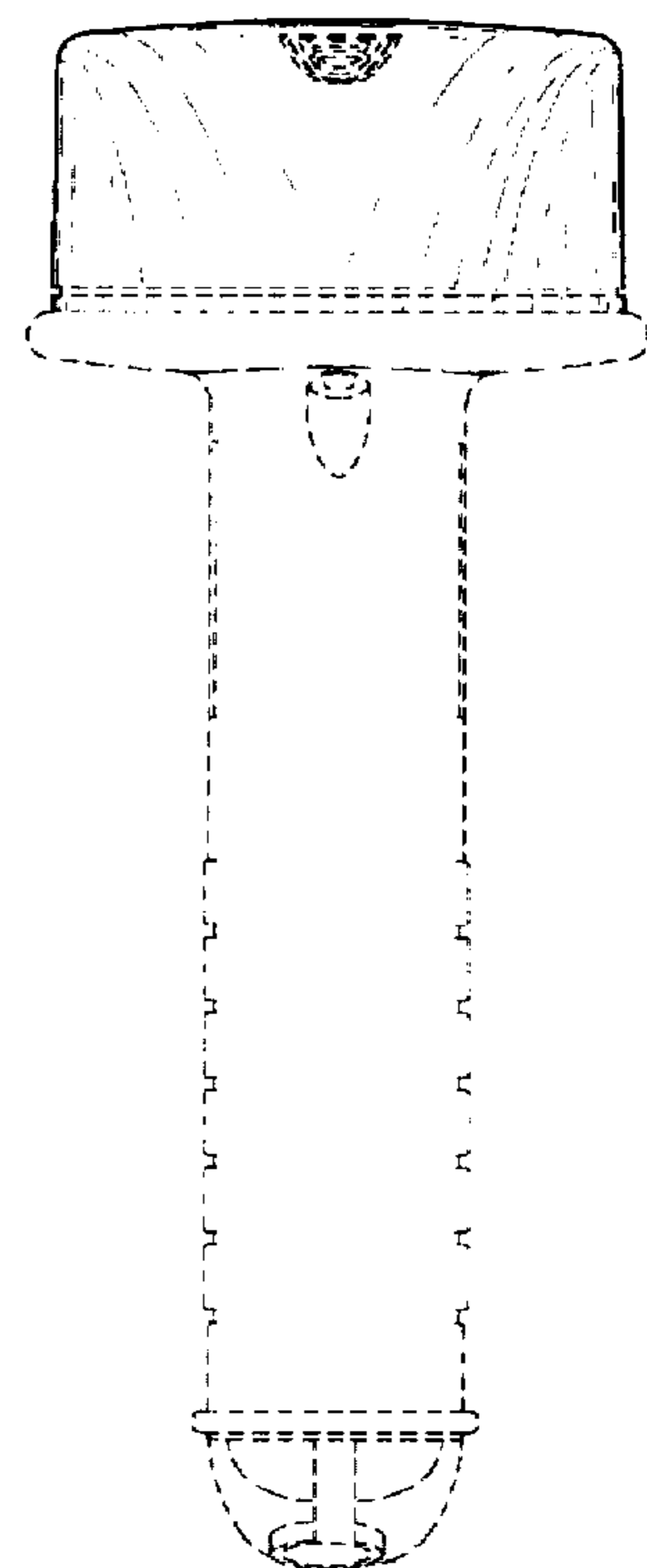
*Fig. 1*



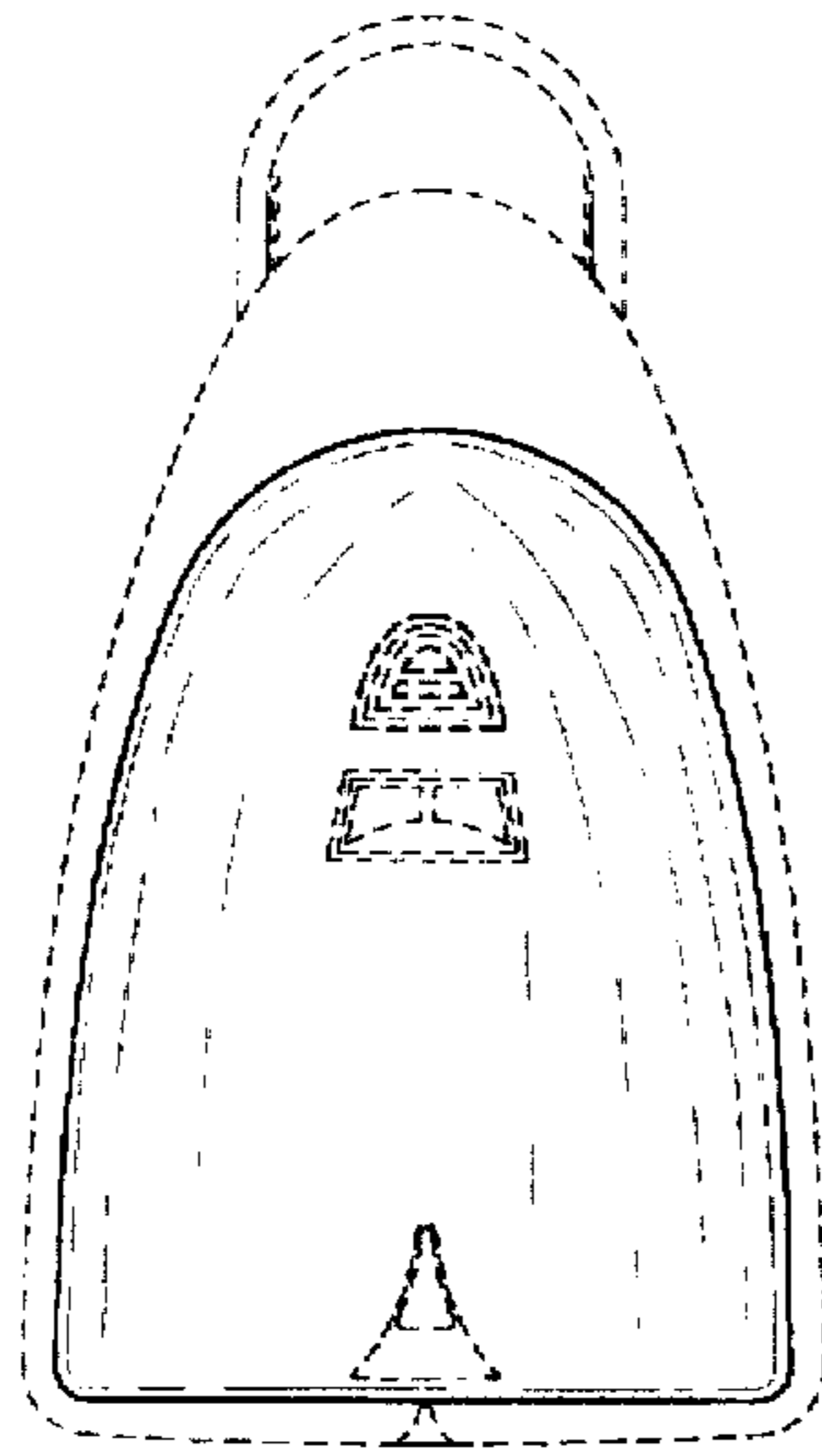
*Fig. 2*



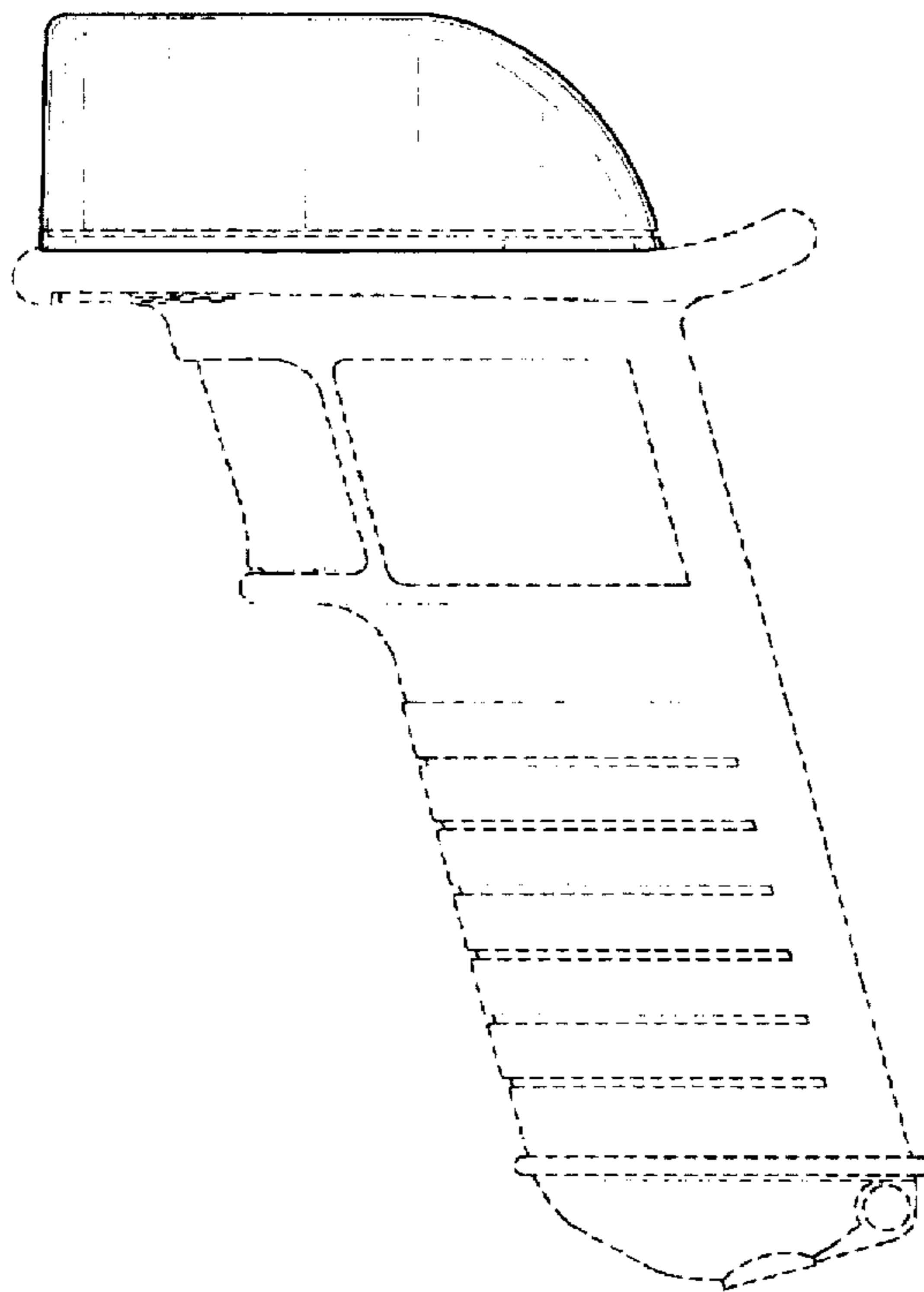
*Fig. 3*



*Fig. 4*



*Fig. 5*



*Fig. 6*