



US00D387753S

United States Patent [19]

Stewart et al.

[11] Patent Number: **Des. 387,753**

[45] Date of Patent: ****Dec. 16, 1997**

[54] HILT PORTION OF A SCANNER

[75] Inventors: **James R. Stewart**, Woodinville, Wash.; **Kenneth D. Wood**, Woodside; **David W. Laituri**, Palo Alto, both of Calif.; **Andrew E. Reynolds**, Bothell, Wash.

[73] Assignee: **Intermec Corporation**, Everett, Wash.

[**] Term: **14 Years**

[21] Appl. No.: **60,851**

[22] Filed: **Oct. 9, 1996**

[51] LOC (6) Cl. **14-02**

[52] U.S. Cl. **D14/116**

[58] Field of Search D14/100, 114, D14/107, 116; D19/41-51; 235/454, 470, 472; 250/566, 239; 382/58-69; 354/80-82

[56] References Cited

U.S. PATENT DOCUMENTS

D. 340,170	10/1993	Gilpin et al.	D14/116
D. 352,936	11/1994	Karlin	D14/116
D. 358,588	5/1995	LaManna et al.	D14/116
D. 361,565	8/1995	La Manna et al.	D14/116
D. 374,869	10/1996	Karlin	D14/116

OTHER PUBLICATIONS

- 1565 Bar Code Laser Scanner With Display and Keypad, Product Brochure, Intermec Corporation, Jun., 1993.
- 1545 Bar Code Laser Scanner, Product Brochure, Intermec Corporation, Mar., 1993.
- 1585 Advanced Long-Range Scanner and 1586 High-Visibility Scanner, Product Brochure, Intermec Corporation, Oct., 1991.

1620 Bar Code Laser Scanner, Product Brochure, Intermec Corporation, May, 1991.

1515 Visible Laser Diode Bar Code Scanner, Product Brochure, Intermec Corporation, May, 1991.

1461 Charge-Coupled Device Scanner, Product Brochure, Intermec Corporation, Apr., 1991.

1621 Laser Scanner for Very High Density Bar Code, Product Brochure, Intermec Corporation, Feb., 1991.

Primary Examiner—Kay H. Chin

Attorney, Agent, or Firm—Seed and Berry LLP

[57] CLAIM

The ornamental design for a hilt portion of a scanner, as shown and described.

DESCRIPTION

FIG. 1 is a front isometric view of a hilt portion of a scanner showing our new design;

FIG. 2 is a front isometric view of FIG. 1 showing a head portion removed;

FIG. 3 is a front elevational view of FIG. 1;

FIG. 4 is the front elevational view of FIG. 3 showing the head portion removed;

FIG. 5 is a rear elevational view of FIG. 1;

FIG. 6 is a top plan view thereof;

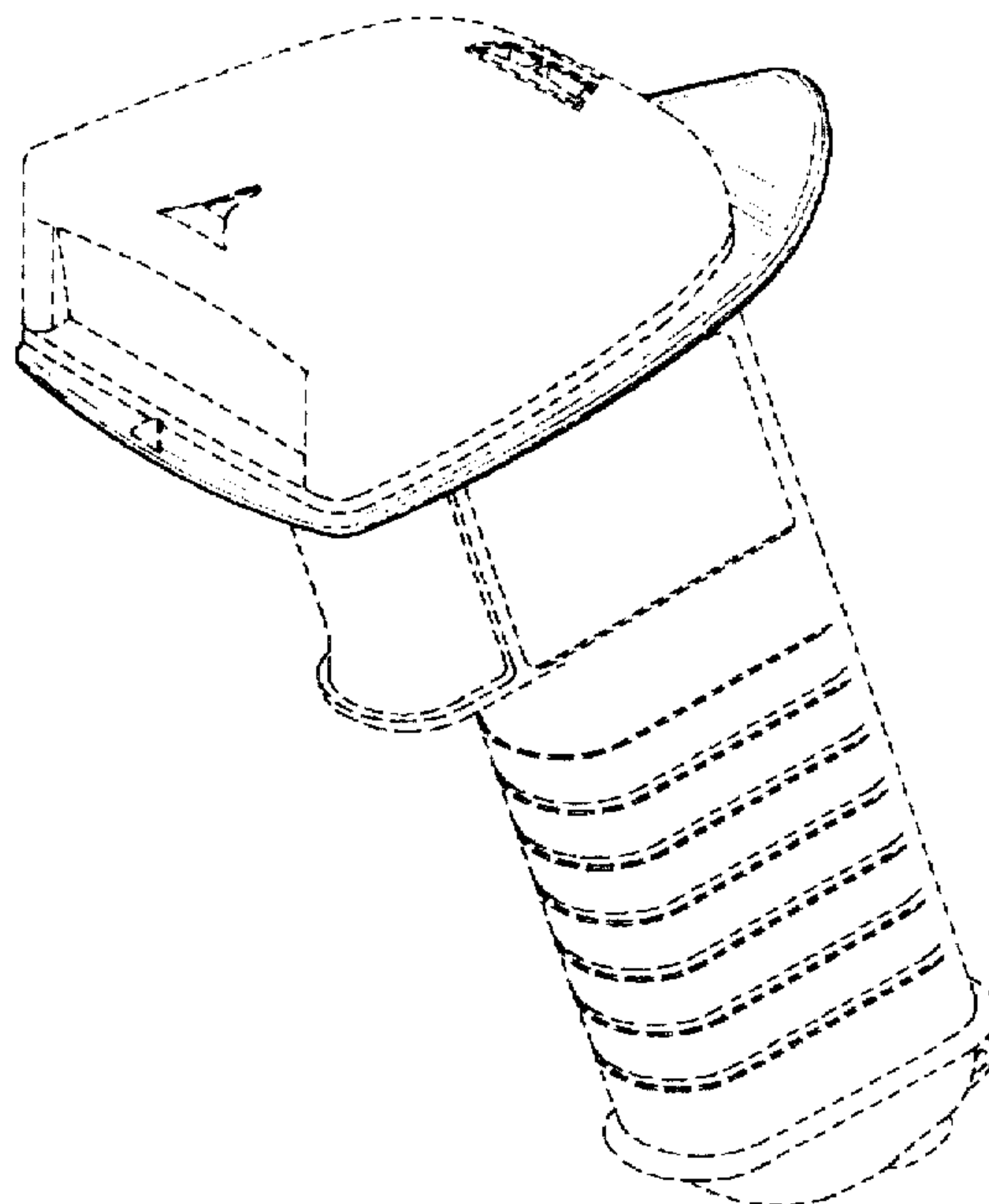
FIG. 7 is a bottom plan view thereof;

FIG. 8 is the bottom plan view of FIG. 7 showing a handle removed; and,

FIG. 9 is the left side elevational view of FIG. 1, the right side elevational view being a mirror image thereof.

The broken lines in the Figures are for illustrative purposes only and form no part of the claimed design.

1 Claim, 2 Drawing Sheets



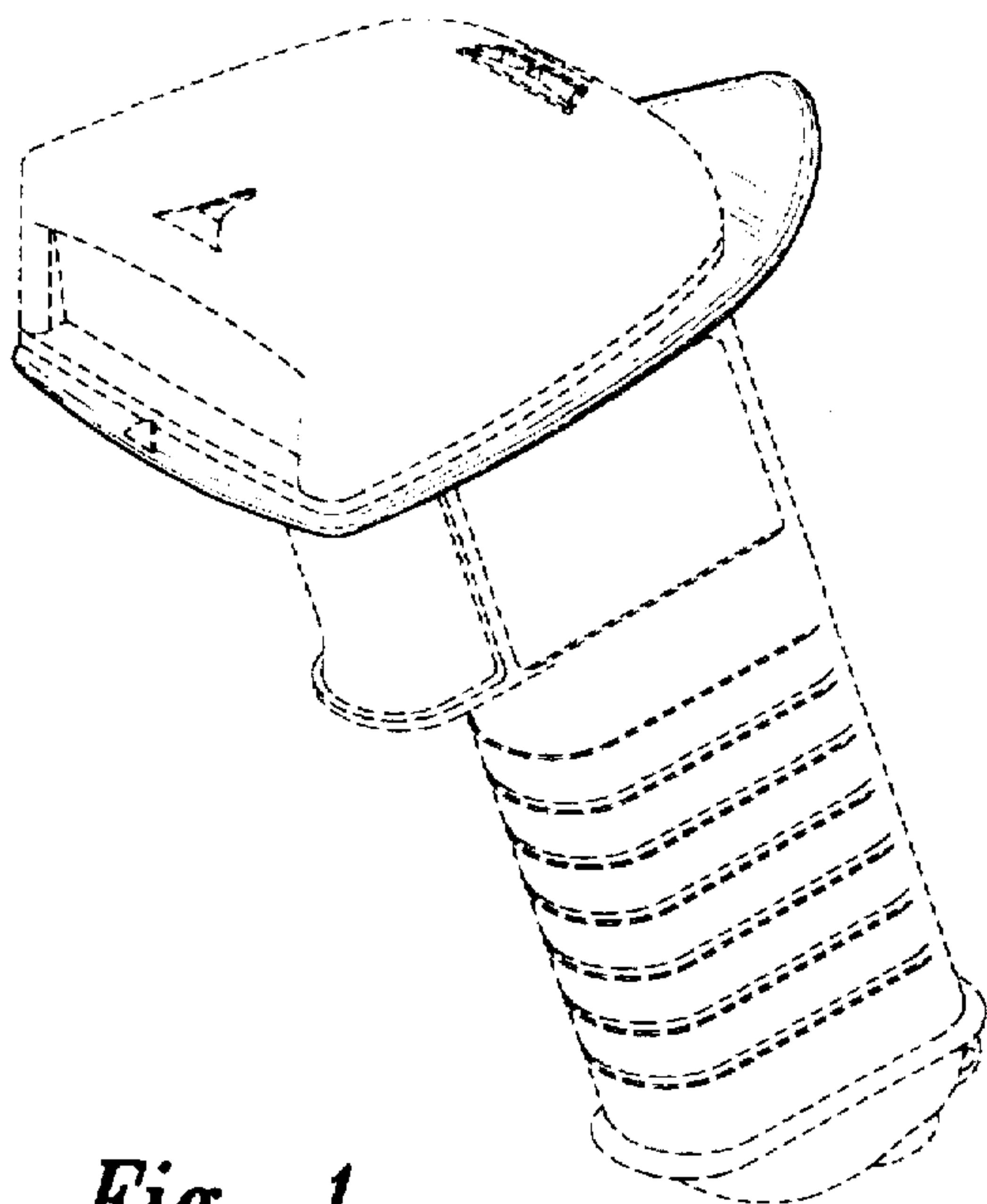


Fig. 1

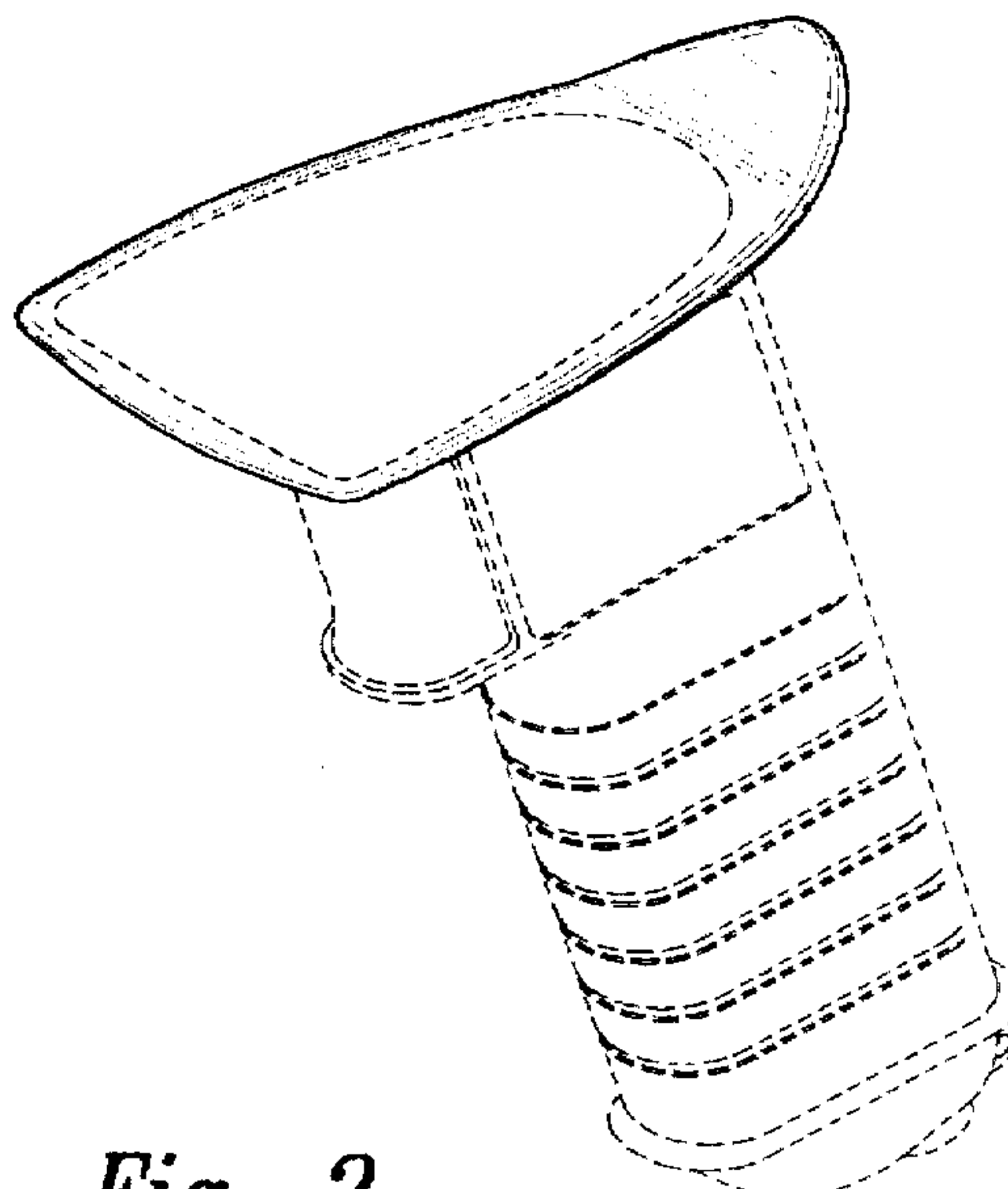


Fig. 2

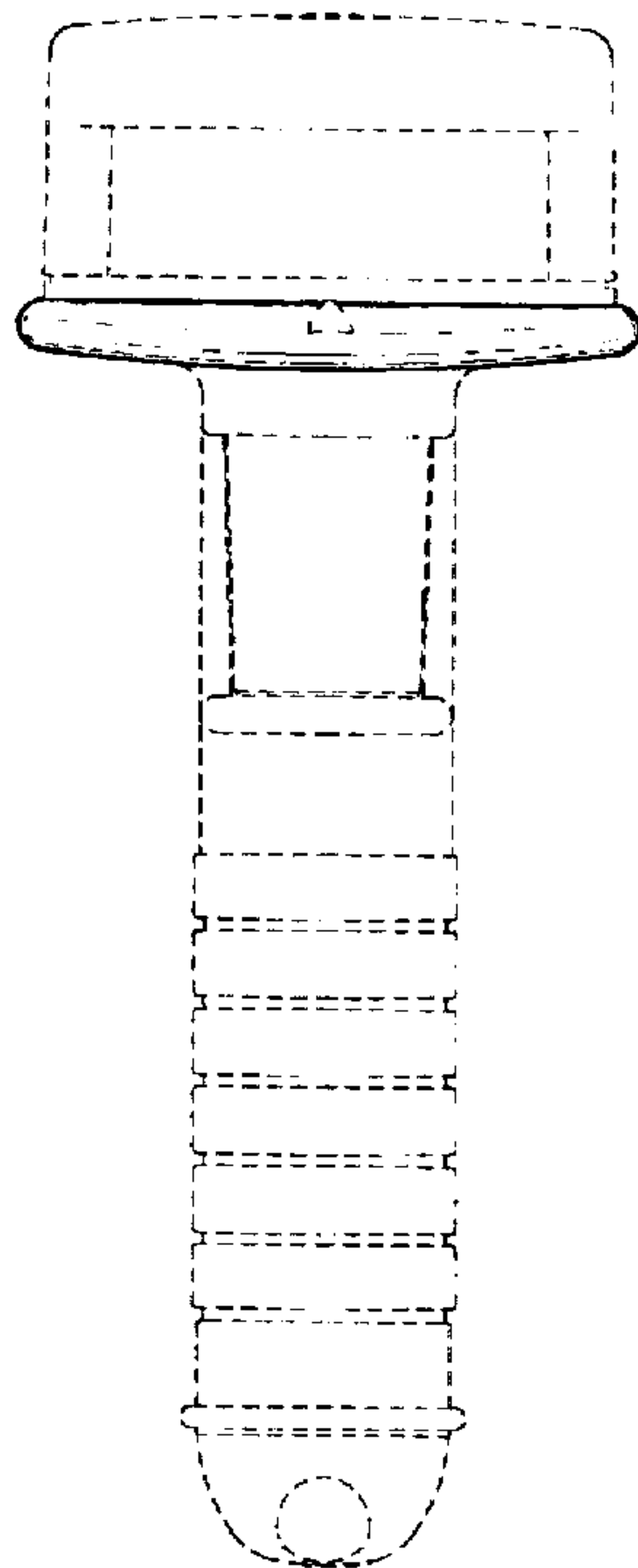


Fig. 3

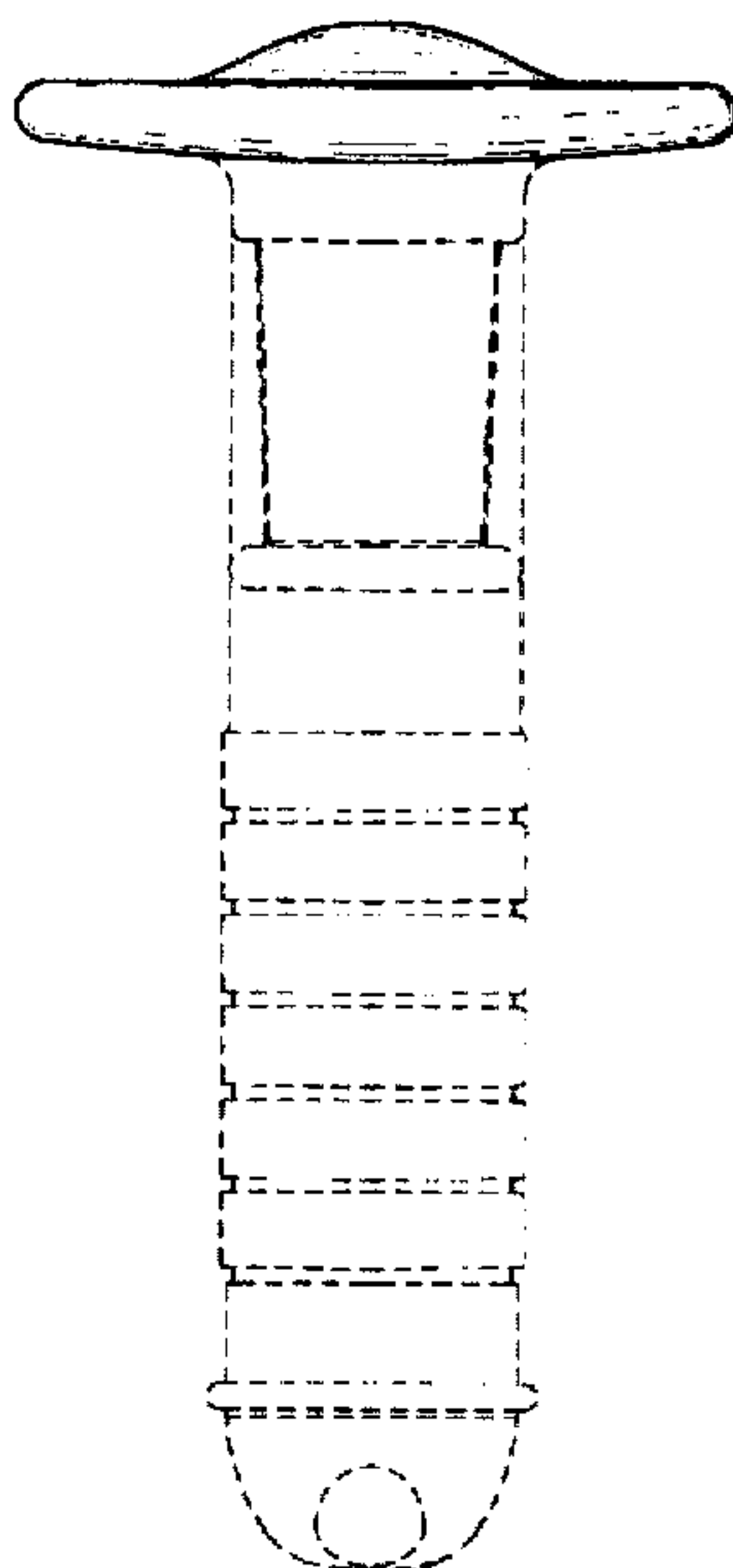


Fig. 4

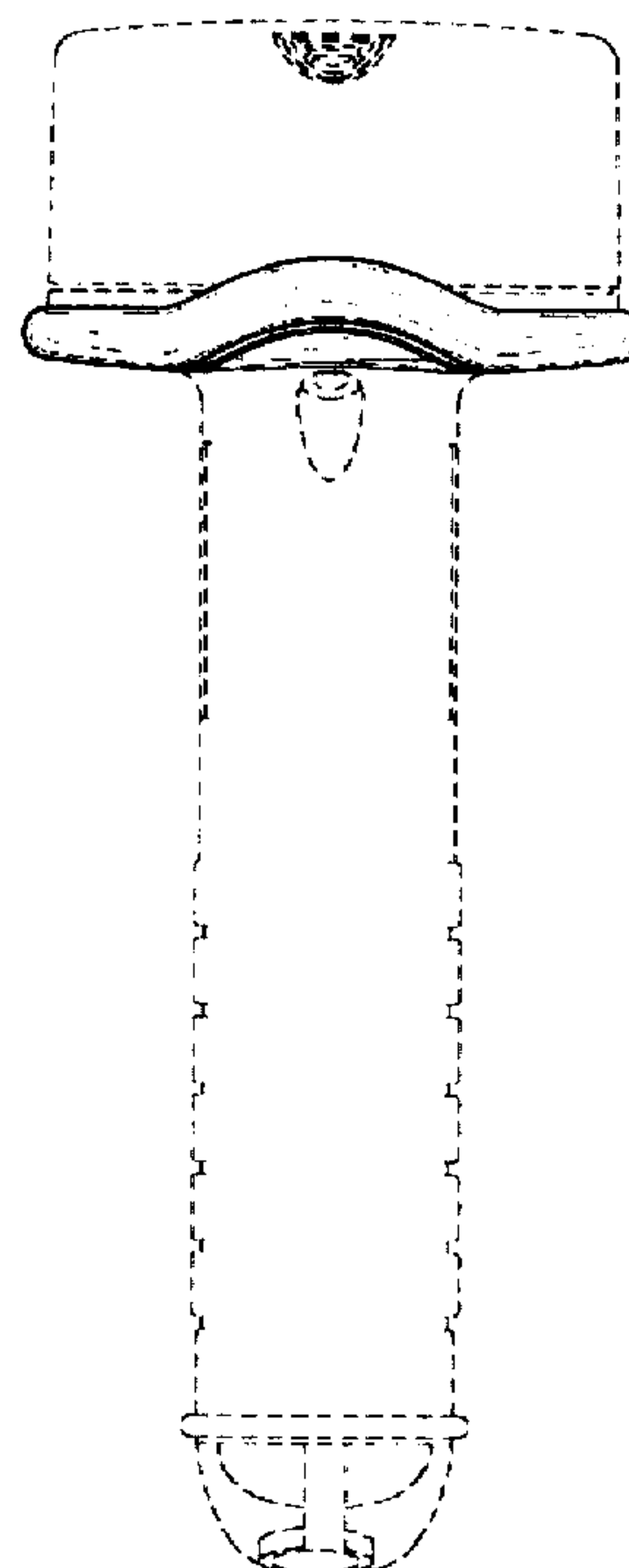


Fig. 5

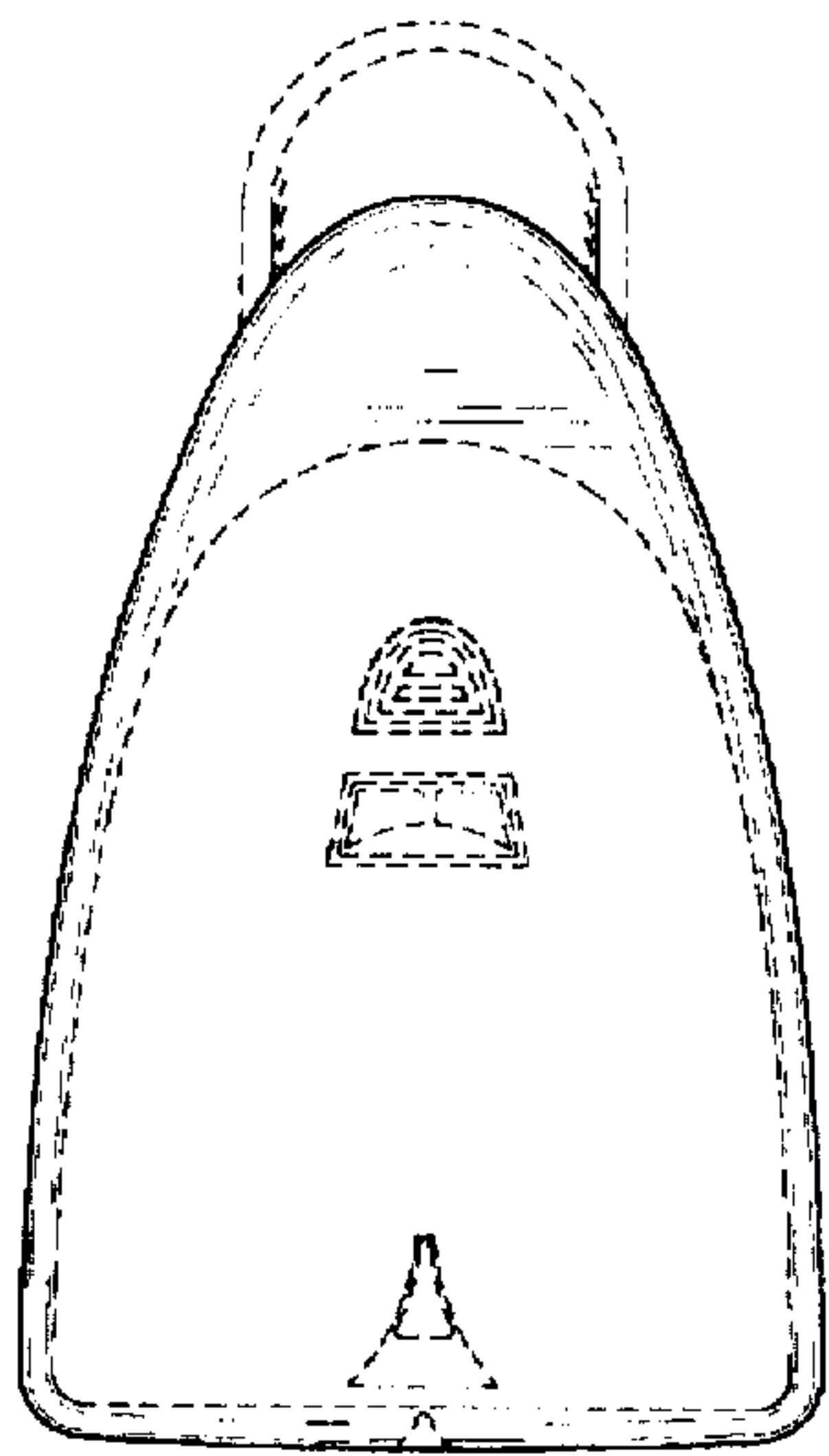


Fig. 6

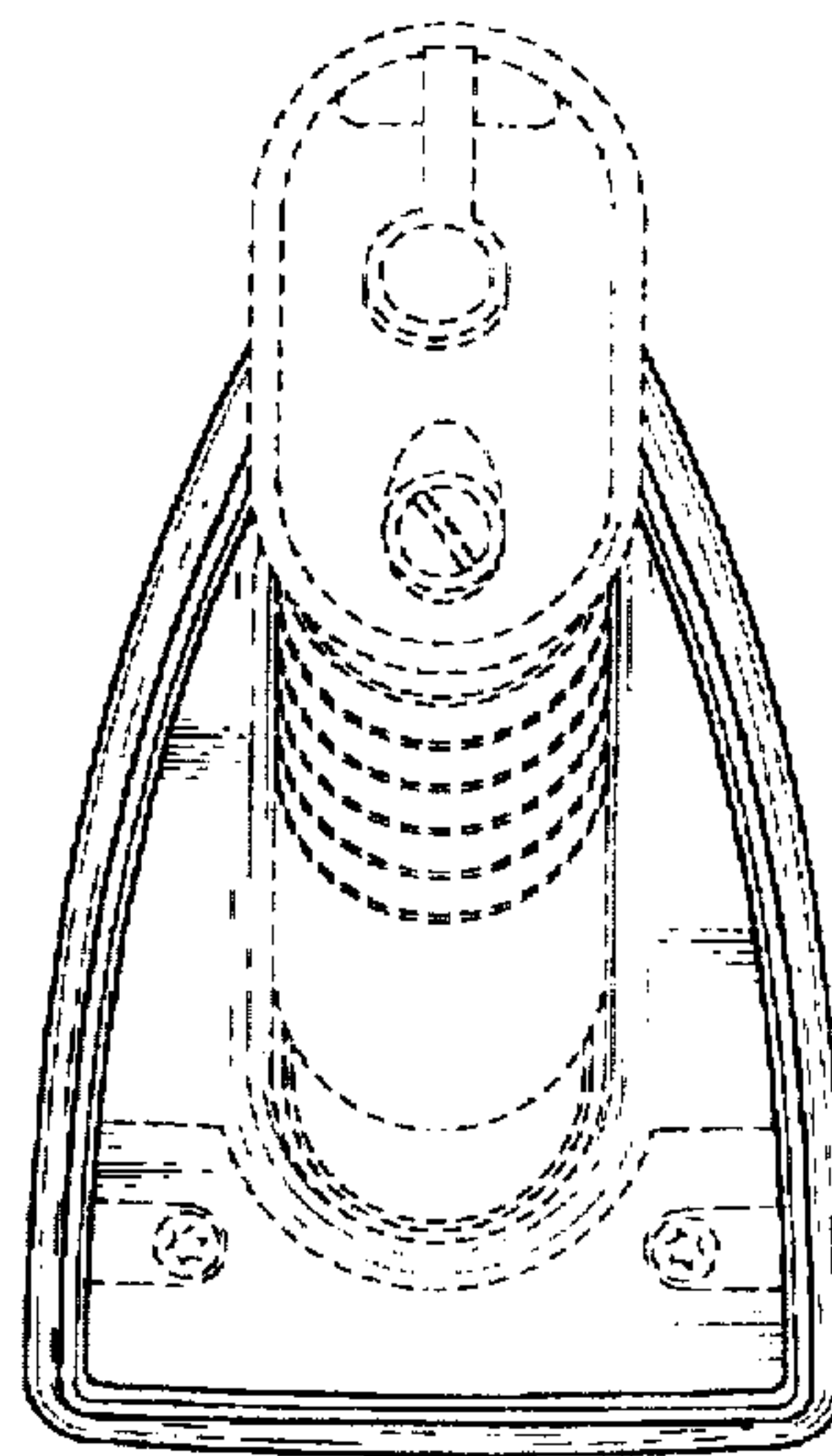


Fig. 7

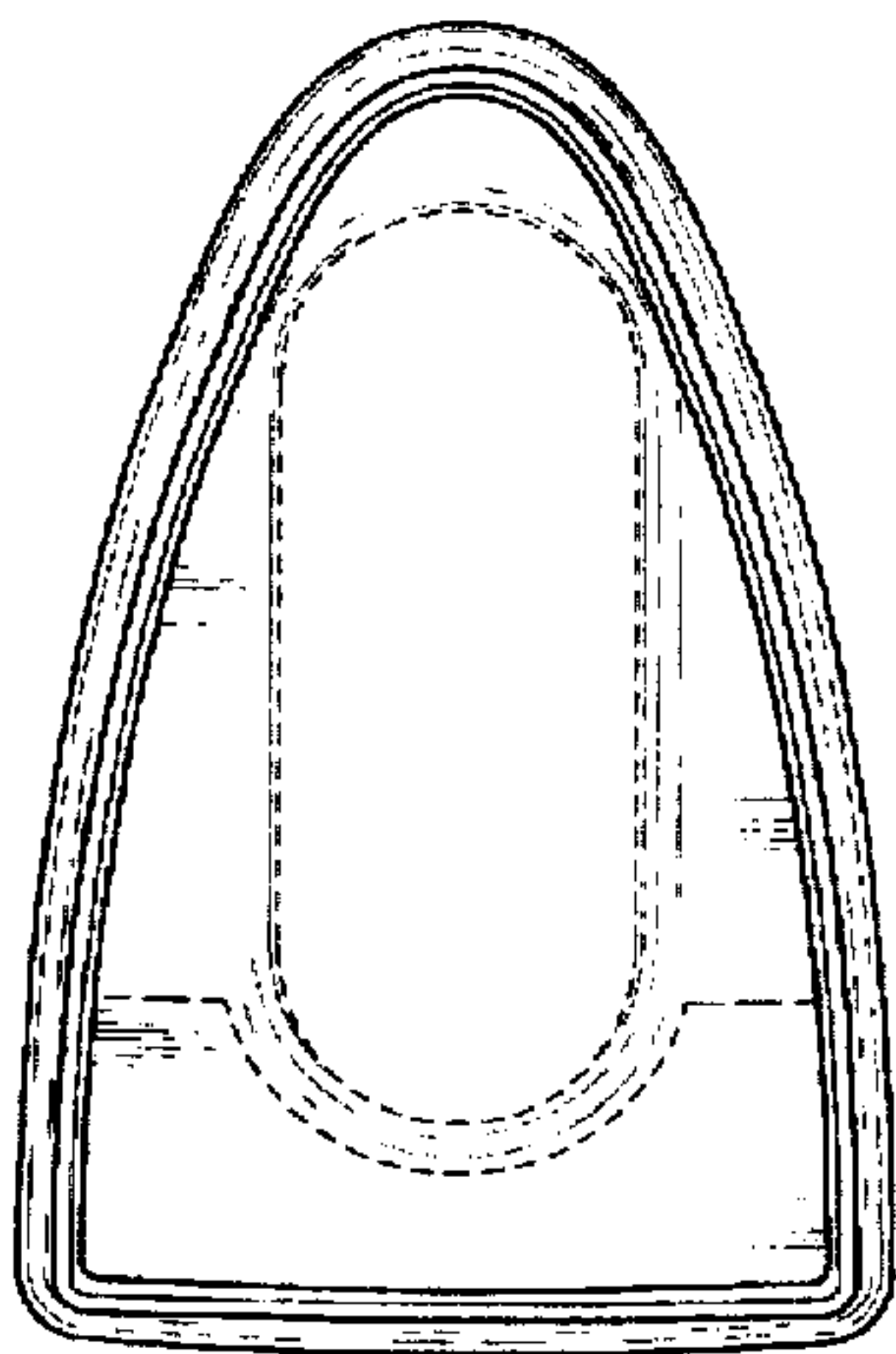


Fig. 8

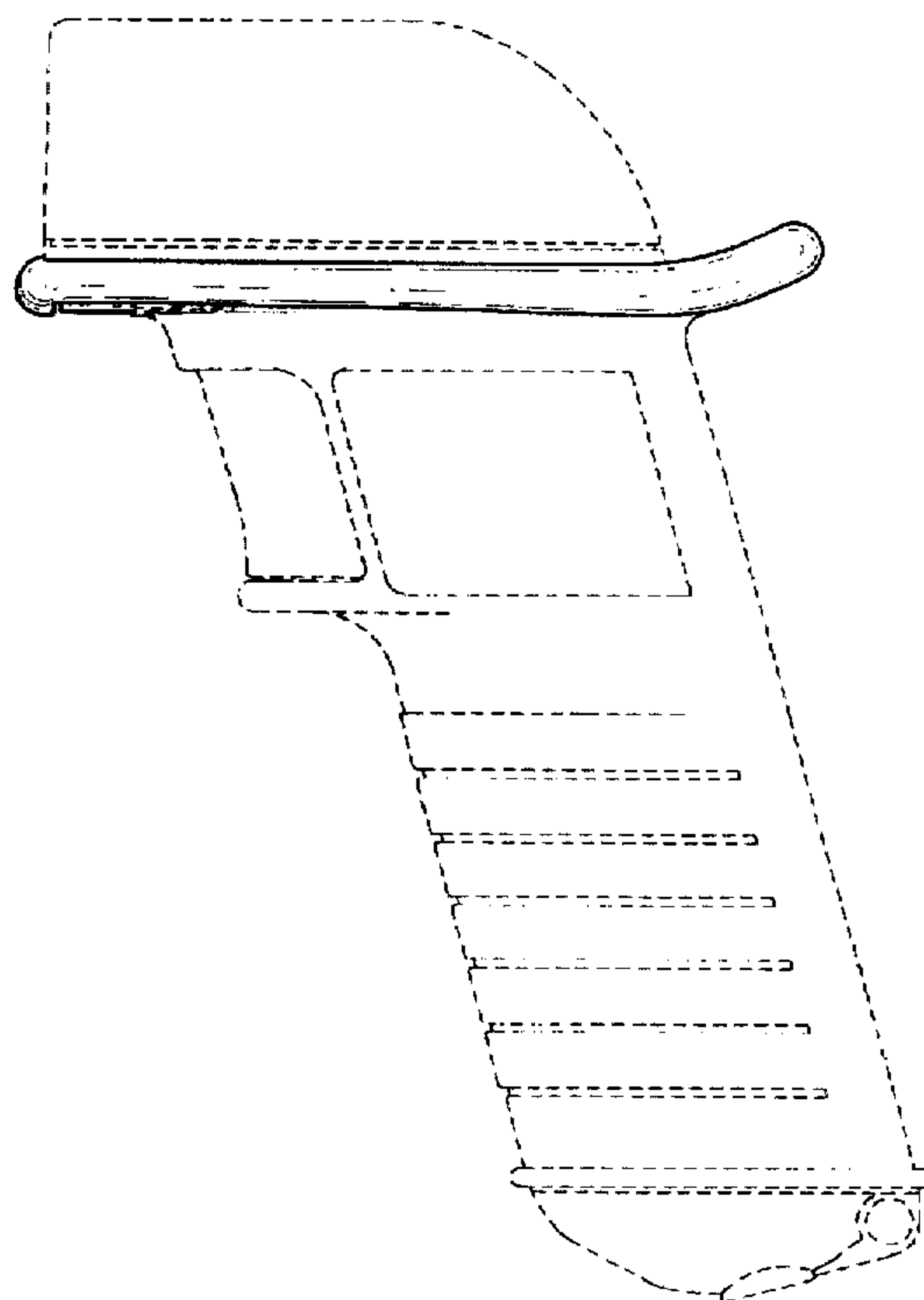


Fig. 9