



US00D387751S

**United States Patent** [19]  
**Lain**

[11] **Patent Number: Des. 387,751**

[45] **Date of Patent: \*\*Dec. 16, 1997**

[54] **FRONT PANEL FOR AN EXTERNAL DRIVE**

[76] **Inventor: Kou-tong Lain, No. 68-2, Pei Tou Tzu  
Tanshui Chen, Taipei Hsien, Taiwan**

[\*\*] **Term: 14 Years**

[21] **Appl. No.: 62,607**

[22] **Filed: Nov. 19, 1996**

[51] **LOC (6) Cl. .... 14-02**

[52] **U.S. Cl. .... D14/115**

[58] **Field of Search ..... D14/100, 102,  
D14/107-109, 115, 257, 258, 137, 156,  
217; D13/162, 184, 199, 164, 177; D10/103;  
312/223.2; 428/99; 361/600, 622, 724-728**

[56] **References Cited**

**U.S. PATENT DOCUMENTS**

- D. 334,185 3/1993 Lam ..... D14/115
- D. 364,612 11/1995 Felde et al. .... D14/115

*Primary Examiner*—Freda Nunn  
*Attorney, Agent, or Firm*—Morton J. Rosenberg; David I. Klein

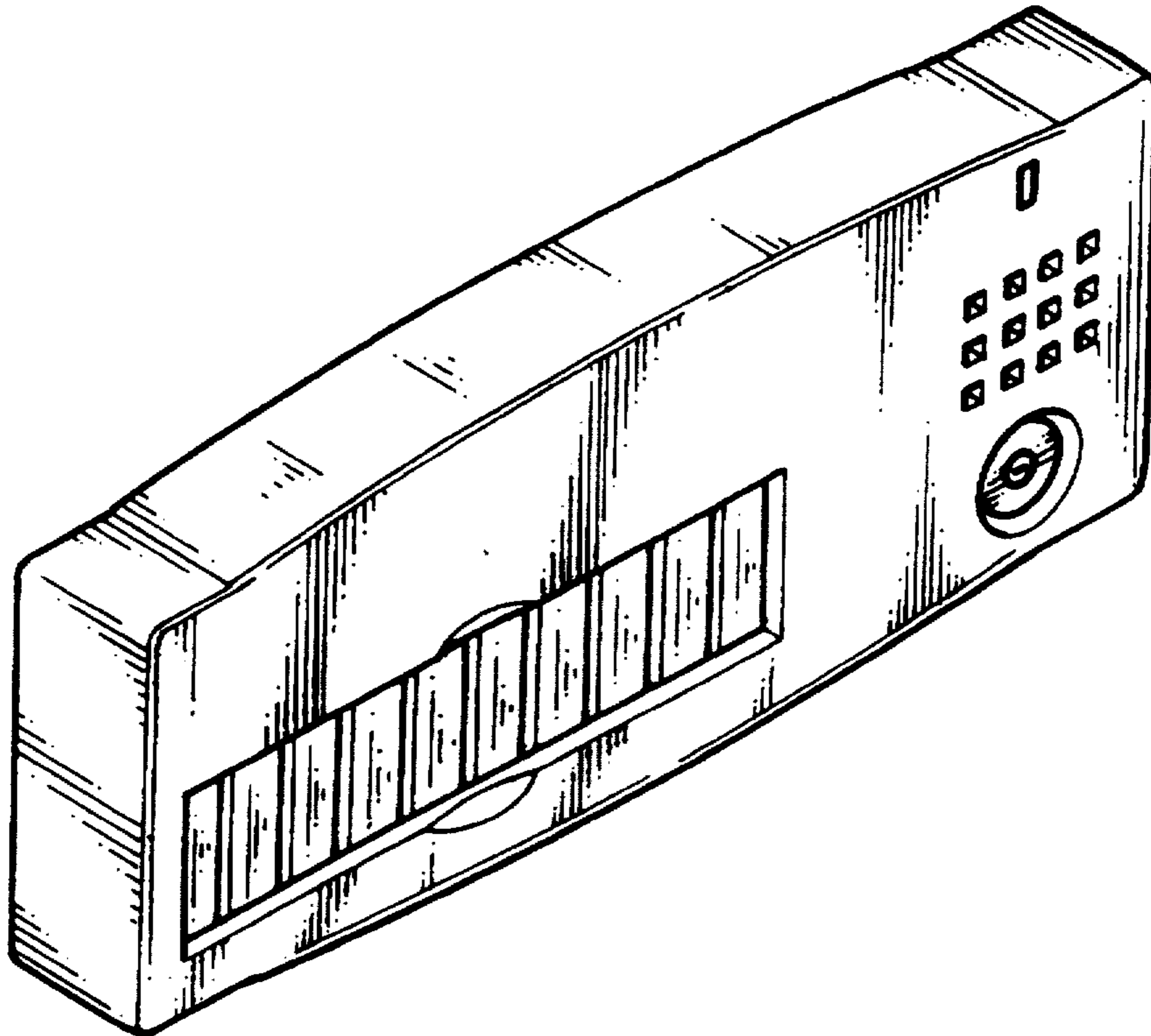
[57] **CLAIM**

The ornamental design for a front panel for an external drive, as shown and described.

**DESCRIPTION**

FIG. 1 is a front, left and top perspective view of a front panel for an external drive showing my new design;  
 FIG. 2 is a front view thereof;  
 FIG. 3 is a rear view thereof;  
 FIG. 4 is a left side elevational view thereof, the right side view being a mirrored image thereof;  
 FIG. 5 is a top plan view thereof, the bottom view being identical thereto; and,  
 FIG. 6 is a cross-sectional view thereof taken along line 6-6 of FIG. 2 showing the inwardly bending slats.

**1 Claim, 4 Drawing Sheets**



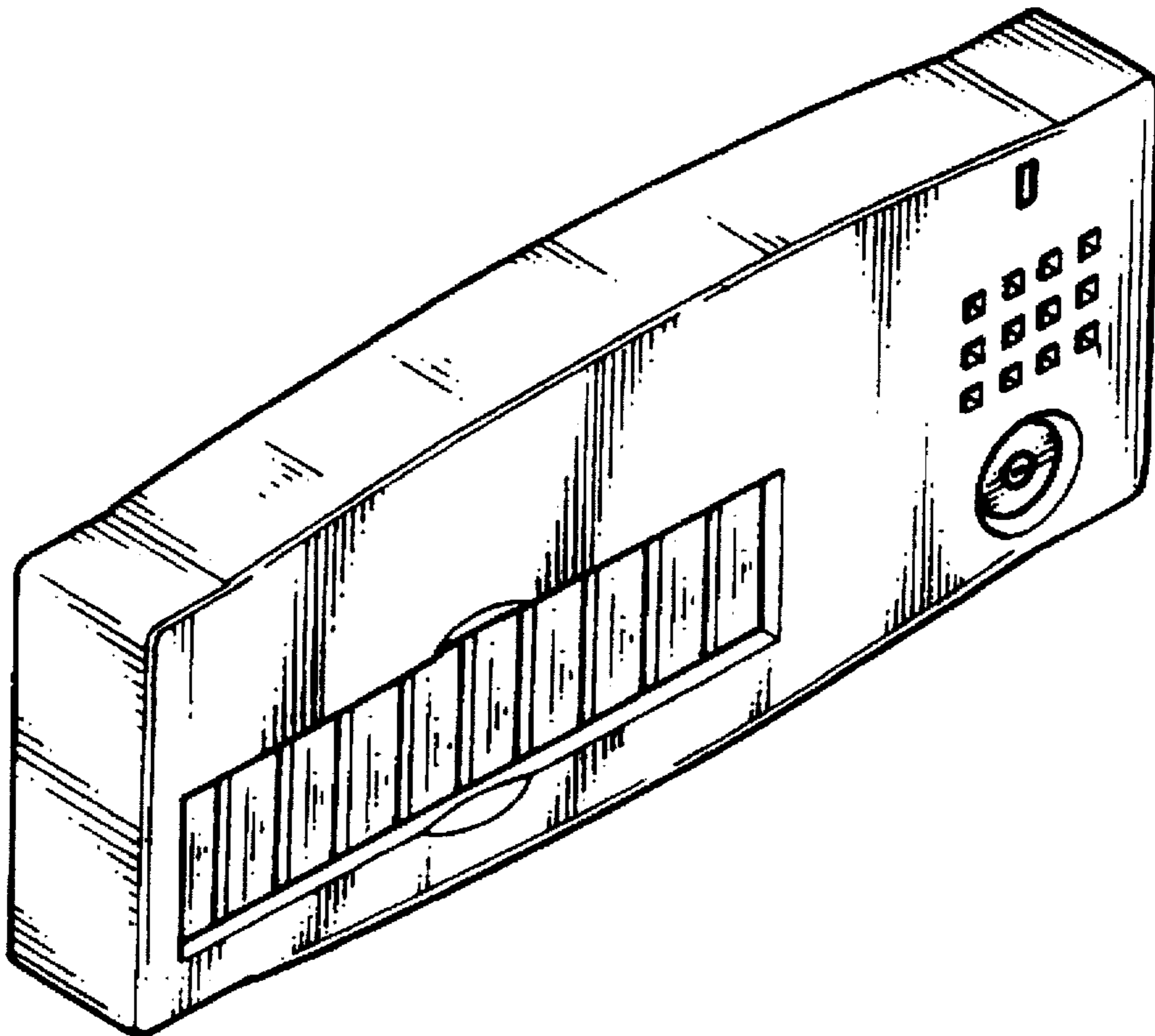


FIG. 1

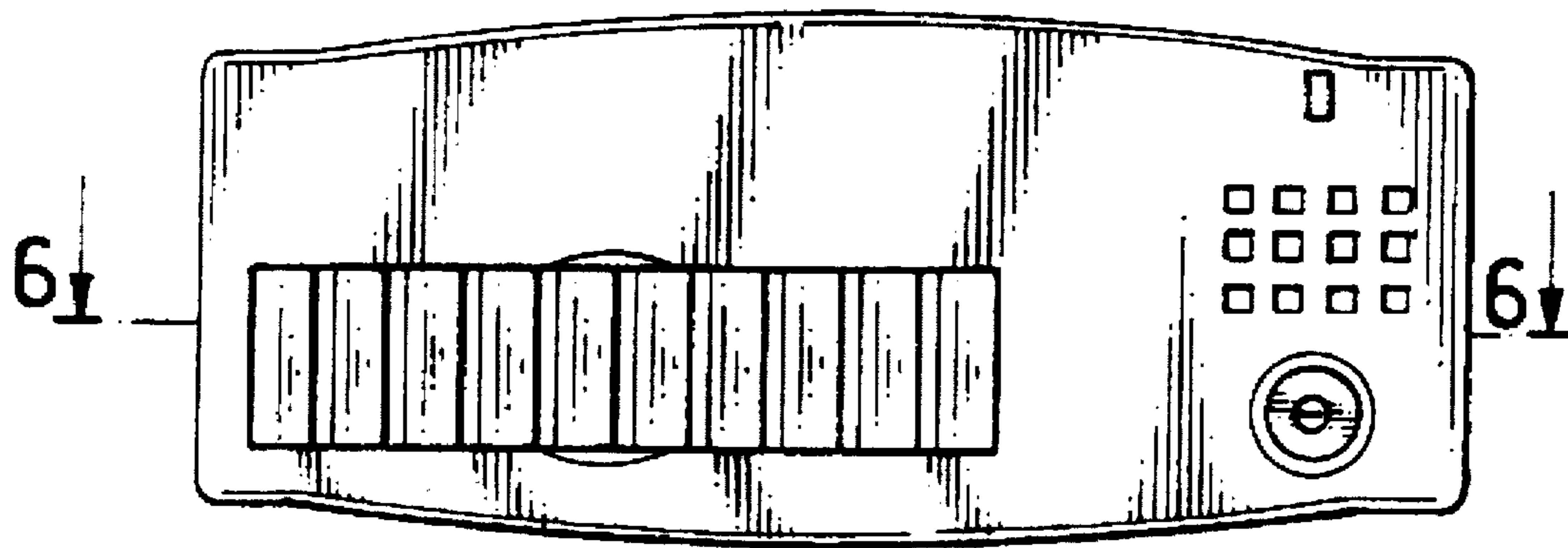


FIG. 2

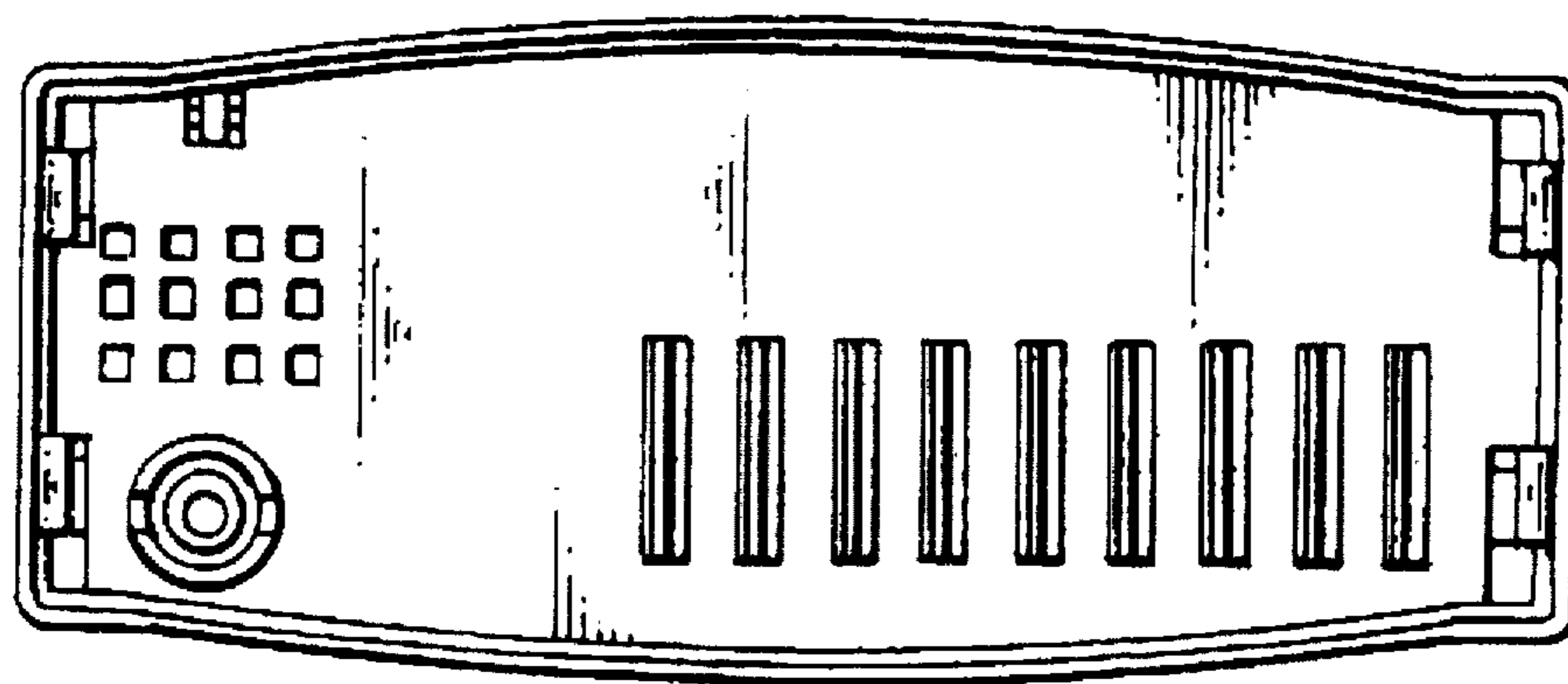


FIG. 3

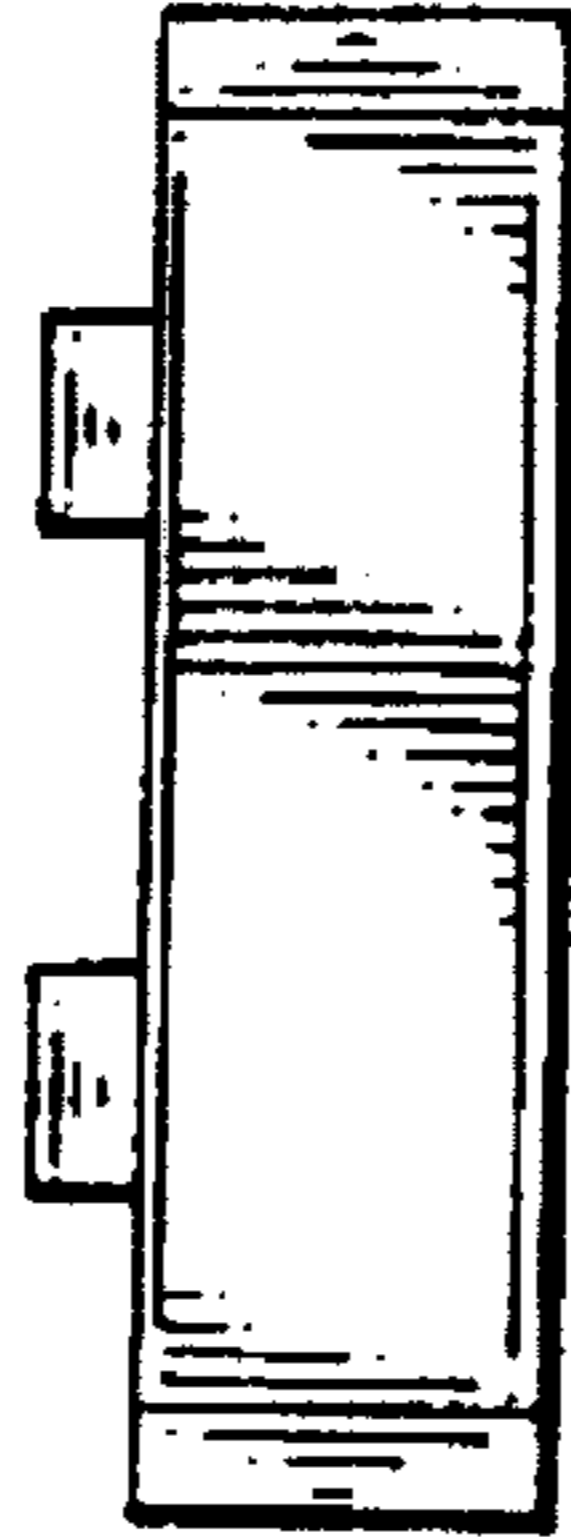


FIG. 4

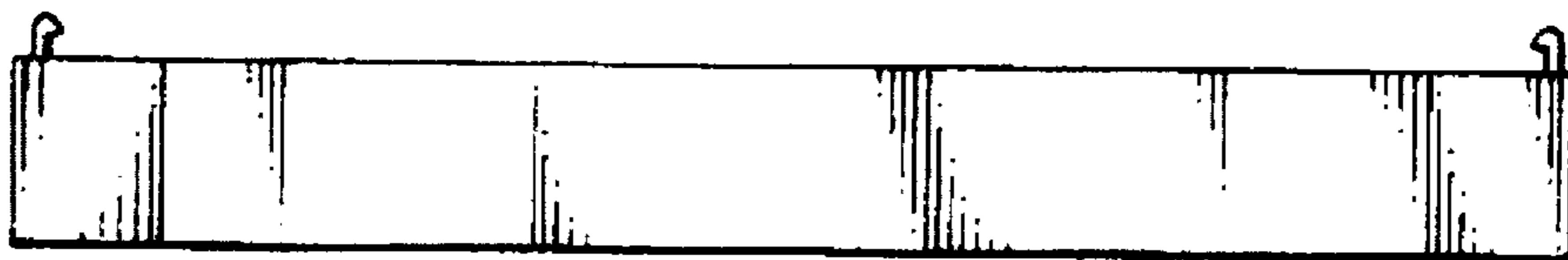


FIG. 5

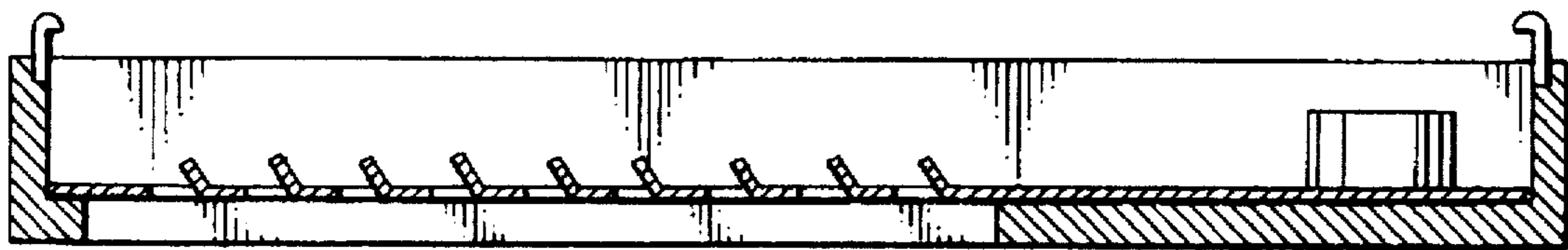


FIG. 6