



US00D387745S

**United States Patent** [19]  
**Evans**

[11] **Patent Number: Des. 387,745**

[45] **Date of Patent: \*\*Dec. 16, 1997**

[54] **ARMREST FOR COMPUTER KEYBOARD  
USERS**

5,383,632 1/1995 Shirlin et al. .... 248/118.5  
5,405,109 4/1995 Nordnes ..... 248/118.3  
5,407,249 4/1995 Bonutti ..... 248/118

[75] **Inventor: David K. Evans, Inkster, Mich.**

*Primary Examiner*—Kay H. Chin  
*Attorney, Agent, or Firm*—Margaret A. Dobrowitsky

[73] **Assignee: Chrysler Corporation, Auburn Hills,  
Mich.**

[57] **CLAIM**

[\*\*] **Term: 14 Years**

The ornamental design for an armrest for computer key-  
board users, as shown and described.

[21] **Appl. No.: 59,641**

**DESCRIPTION**

[22] **Filed: Aug. 27, 1996**

FIG. 1 is a perspective view of the armrest showing the new  
design;

[51] **LOC (6) Cl. .... 14-02**

[52] **U.S. Cl. .... D14/114**

FIG. 2 is a top view of the armrest;

[58] **Field of Search .... D14/114, 100;  
D16/131; 248/118, 118.1, 118.3, 118.5,  
286.1, 918, 279; 297/411.35, 411.36**

FIG. 3 is a right side view of the armrest, the left side view  
of the armrest being symmetrically opposite to FIG. 3;

FIG. 4 is a bottom view of the armrest;

FIG. 5 is an end view of the armrest in the direction of Arrow  
A of FIG. 1; and,

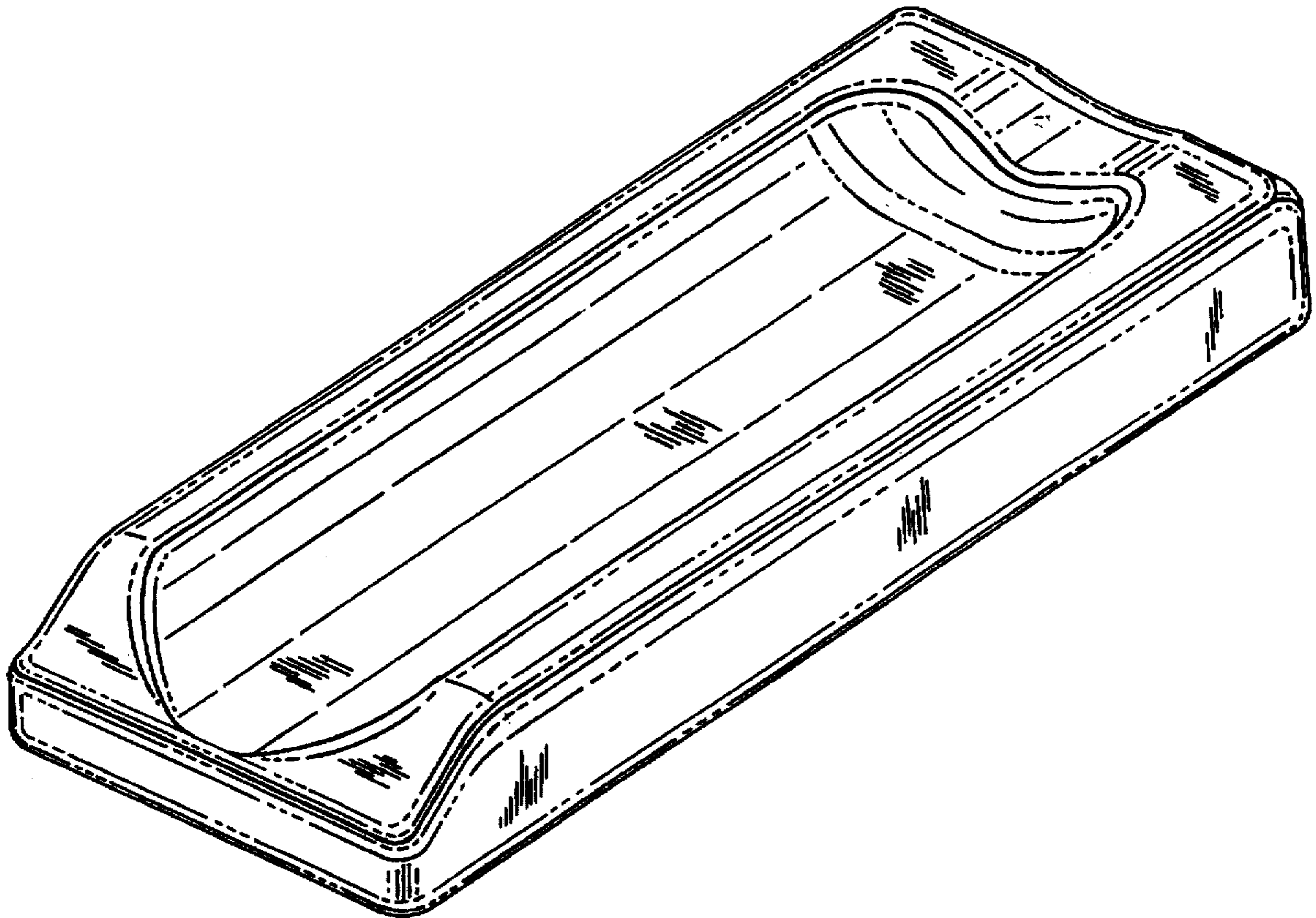
FIG. 6 is an end view of the armrest in the direction of Arrow  
B of FIG. 1.

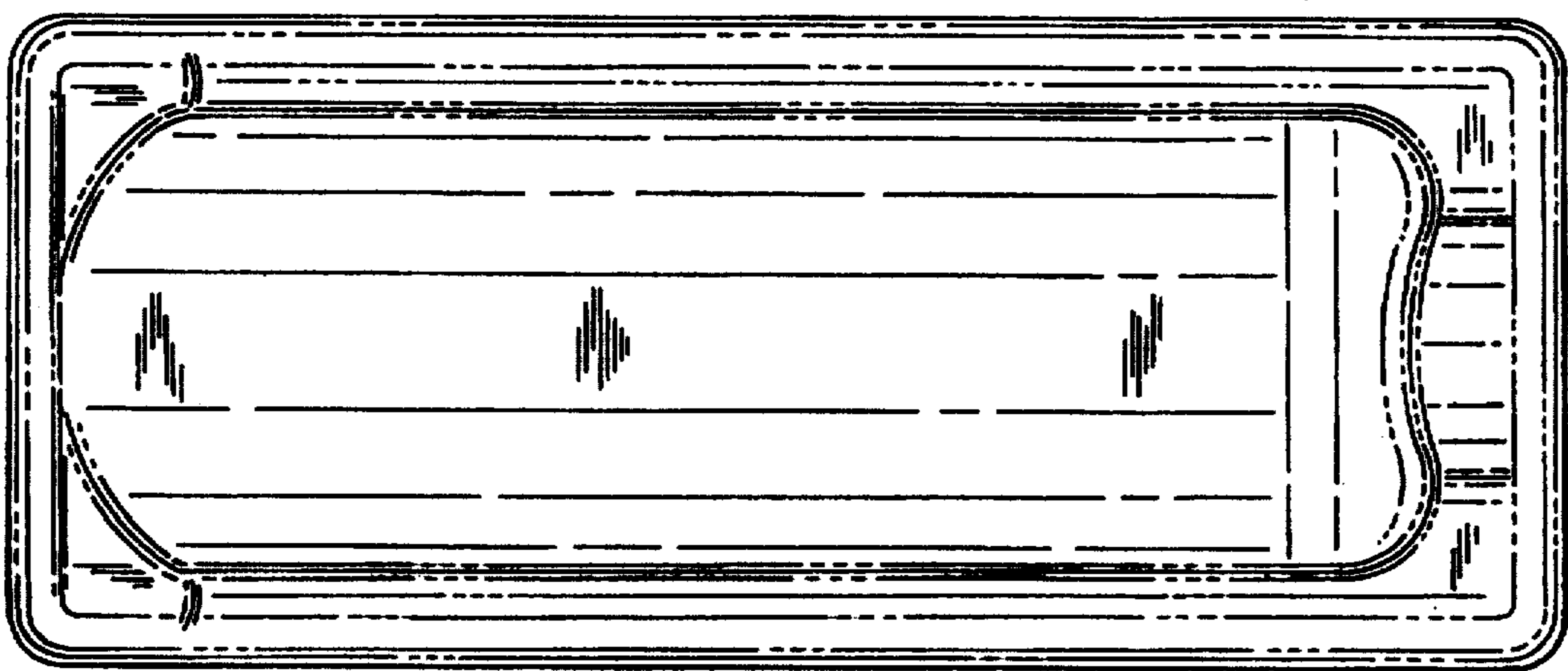
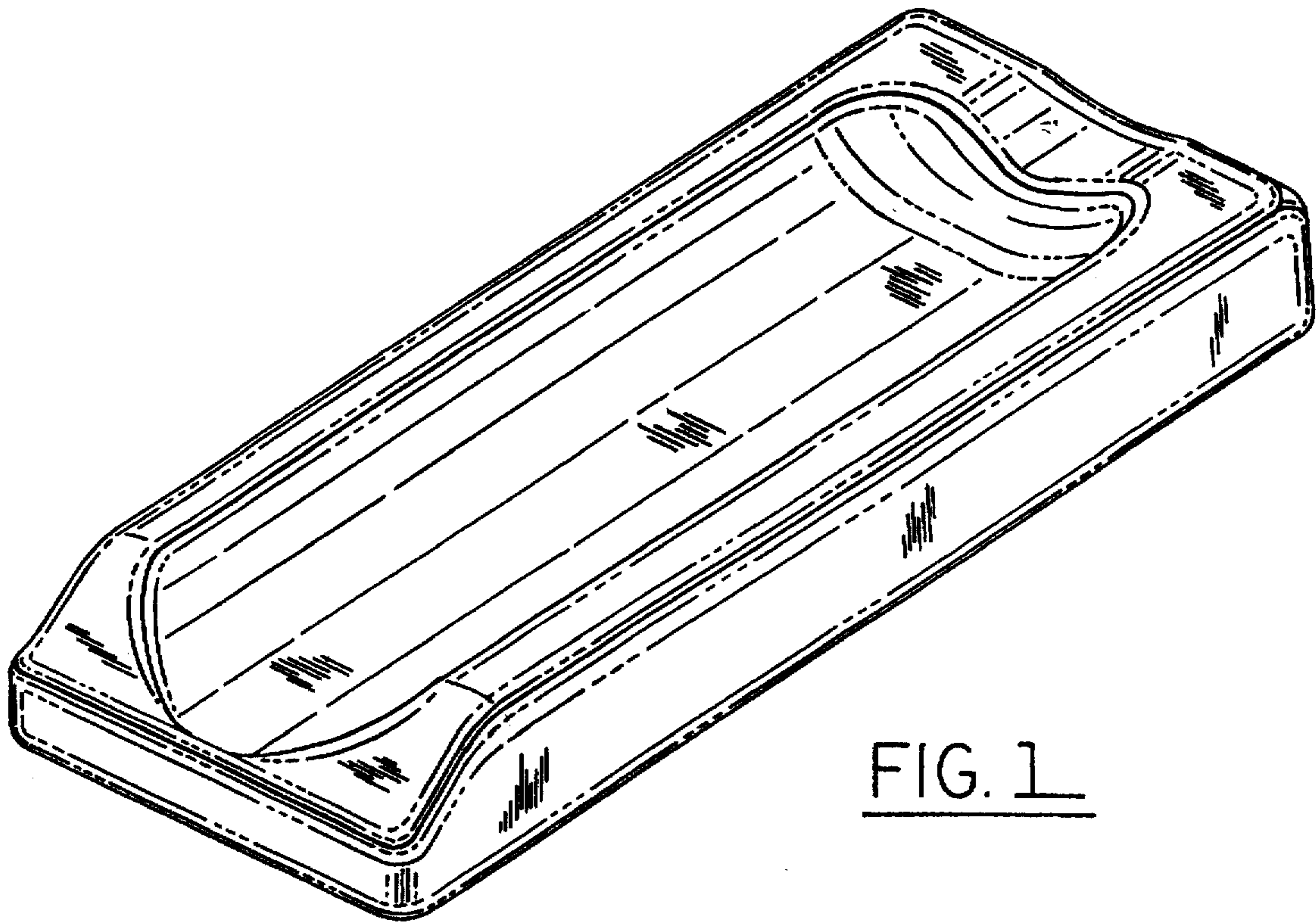
[56] **References Cited**

**U.S. PATENT DOCUMENTS**

2,642,250 6/1953 Kasnowich ..... 248/118  
5,335,888 8/1994 Thomsen ..... 248/118.5

**1 Claim, 2 Drawing Sheets**





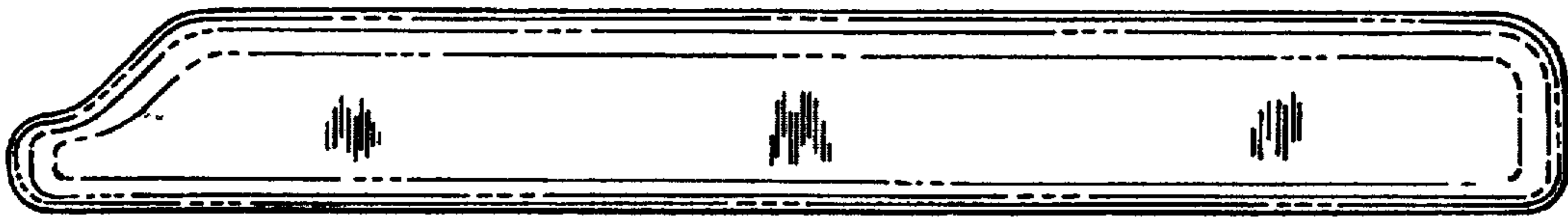


FIG. 3



FIG. 4

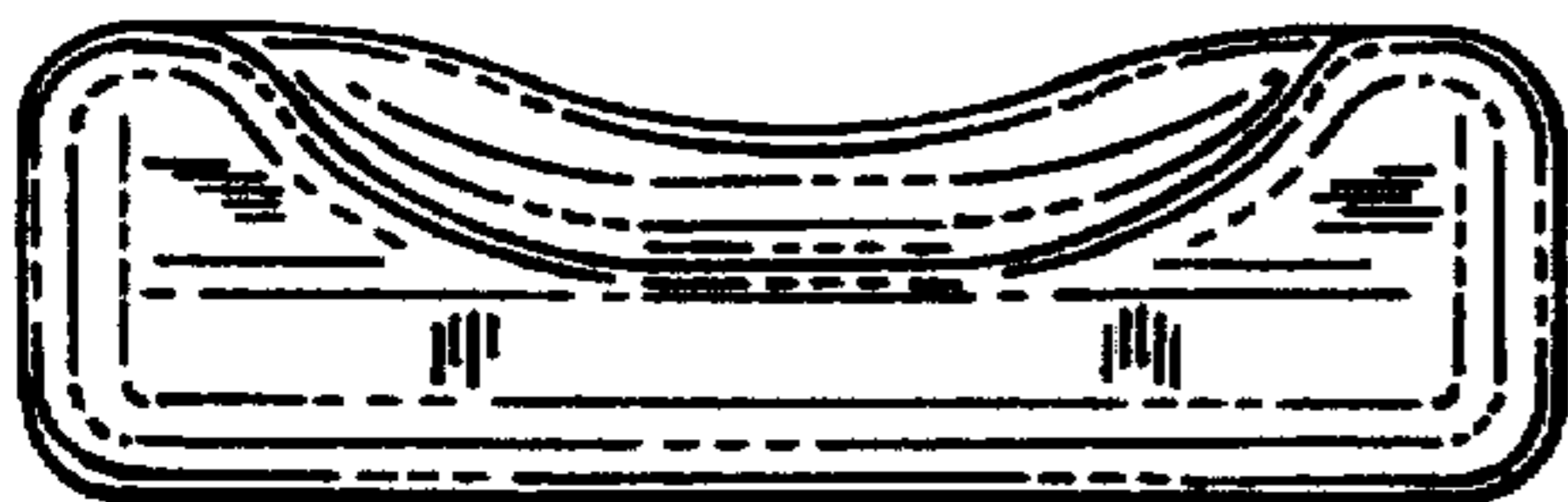


FIG. 5



FIG. 6